

PARTS LIST

for

KitchenAid®

BRITAIN – ARTISAN

WAFFLE BAKER

MODELS:

5KWB100BPM0 (Pearl Metallic)
5KWB100BOB0 (Onyx Black)
5KWB100BER0 (Empire Red)
5KWB100BAC0 (Almond Creme)



FOR CUSTOMER SATISFACTION ALWAYS USE
FACTORY SPECIFICATION PARTS

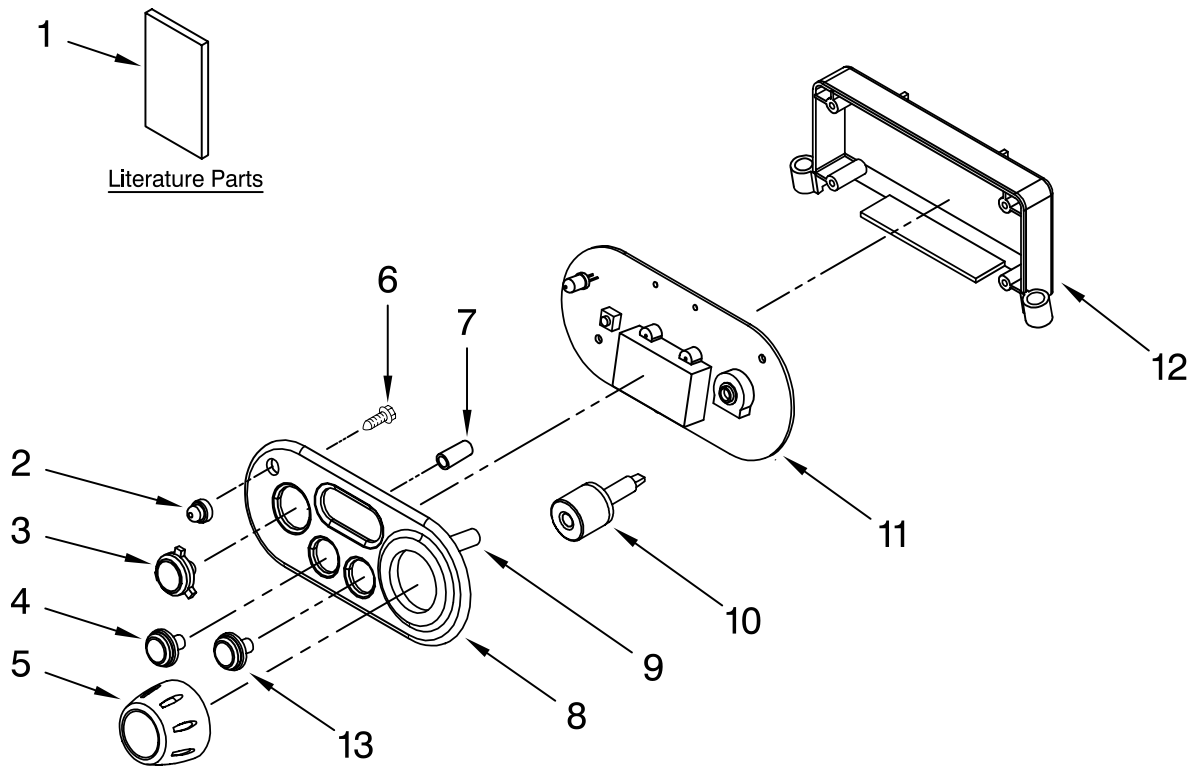


KITCHENAID

ST. JOSEPH MICHIGAN 49085

CONTROL PANEL PARTS

For Models: 5KWB100B_0

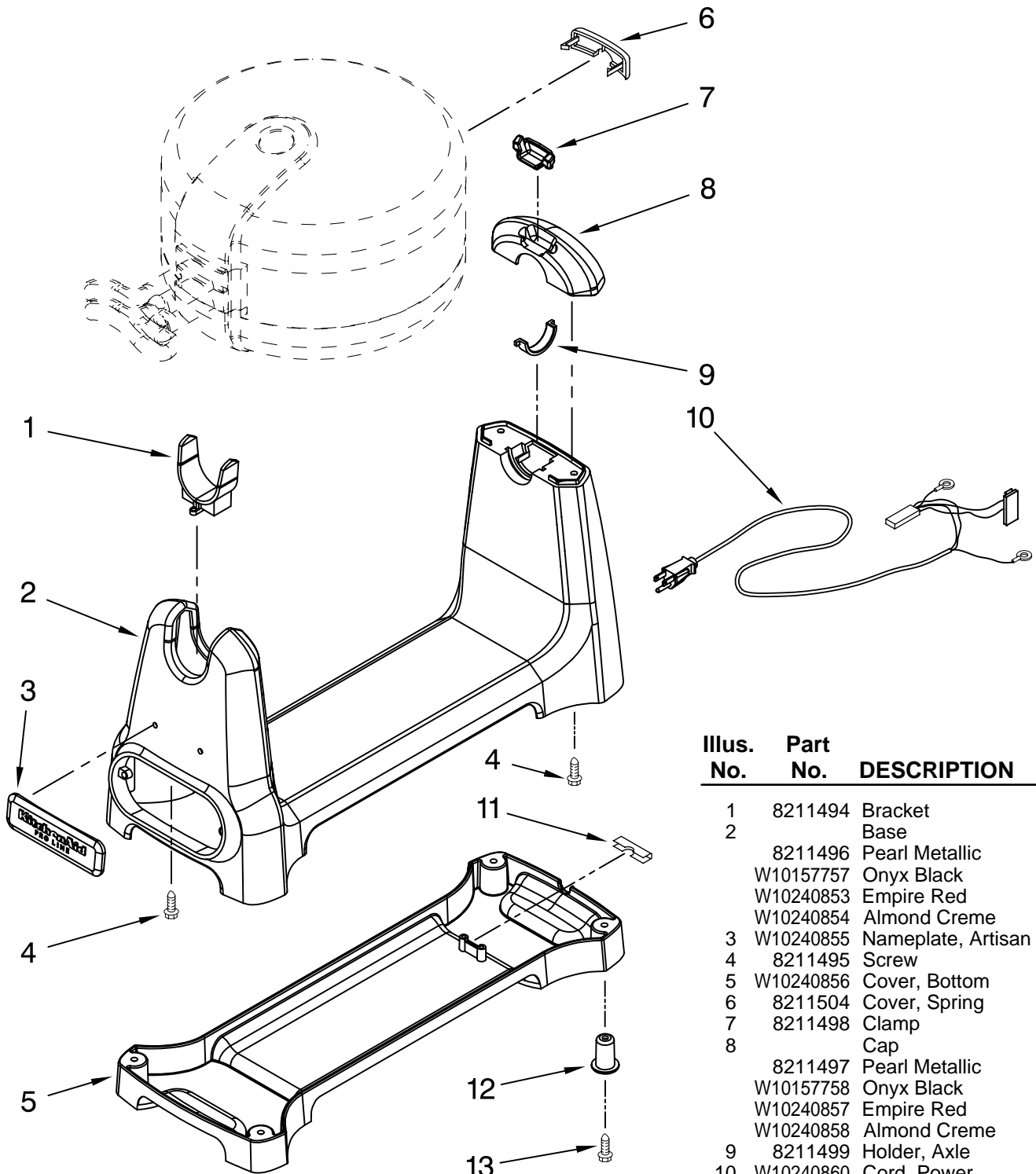


Illus. No.	Part No.	DESCRIPTION
1		Literature Parts
	W10240847	Guide, Use & Care
	W10204231	Repair Parts List
	8204592	Wiring Diagram
2	8211489	Lens, Led
3	W10240848	Button, Power
4	W10240849	Button, Start
5	W10240850	Knob
6	8211490	Screw
7	8211508	Cover, Button
8	W10240851	Bezel
9	8211514	Spring
10	8211513	Bracket, Knob
11	W10314348	MCU PCB Assembly
12	8211493	Holder, PCB
13	W10240852	Button, Reset

FOR ORDERING INFORMATION REFER TO PARTS PRICE LIST

CRADLE PARTS

For Models: 5KWB100B_0



Illus. No.	Part No.	DESCRIPTION
1	8211494	Bracket
2		Base
	8211496	Pearl Metallic
	W10157757	Onyx Black
	W10240853	Empire Red
	W10240854	Almond Creme
3	W10240855	Nameplate, Artisan
4	8211495	Screw
5	W10240856	Cover, Bottom
6	8211504	Cover, Spring
7	8211498	Clamp
8		Cap
	8211497	Pearl Metallic
	W10157758	Onyx Black
	W10240857	Empire Red
	W10240858	Almond Creme
9	8211499	Holder, Axle
10	W10240860	Cord, Power (Incl. Mov Board and PCB)
11	8211503	Clamp, Cord
12	8211501	Foot
13	8211502	Screw

FOR ORDERING INFORMATION REFER TO PARTS PRICE LIST