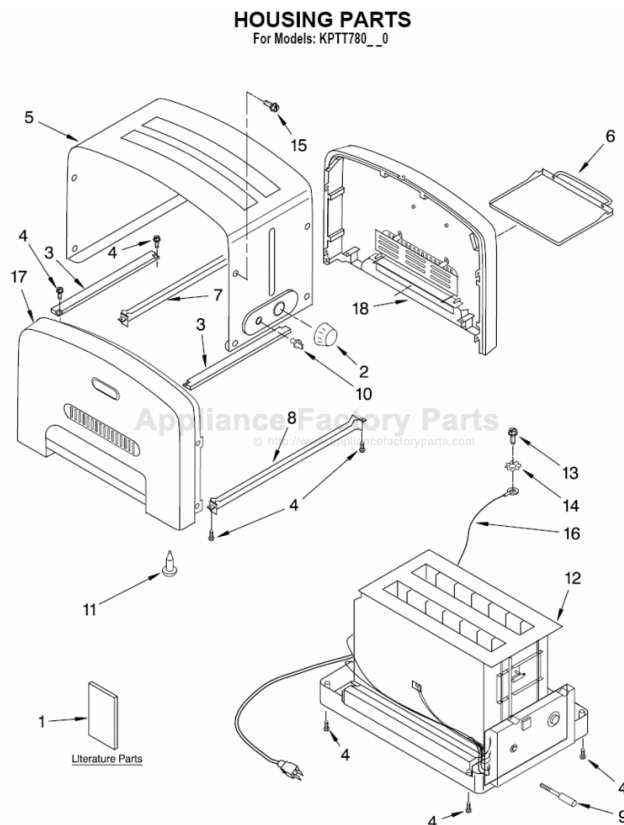


This Owner's Manual is provided and hosted by [Appliance Factory Parts](http://ApplianceFactoryParts.com).



KITCHENAID KPTT780PM1 Owner's Manual

[Shop genuine replacement parts for KITCHENAID
KPTT780PM1](#)



[Find Your KITCHENAID Small Appliance Parts - Select From 538 Models](#)

----- Manual continues below -----

GUIDE TO
PROFESSIONAL
RESULTS

KitchenAid®
PRO LINE™ SERIES





KitchenAid[®]
PRO LINE™ SERIES

MODEL
4KPTT890
& **4KPTT780**
TOASTERS

**Introduction
Section Contents**

Table of Contents	3
Toaster Safety	4
Important Safeguards	5
Proof of Purchase & Registration	6
Electrical Requirements	7



KitchenAid® PRO LINE™ Series Toasters

are engineered to be a near perfect blend of commercial durability, classic style, and contemporary performance for the home. We

began the design process by looking at the essence of toasting in the commercial kitchen – and quickly discovered that simplicity, dependability, and craftsmanship were the things most valued by the professionals. At that point, our goal became clear: we needed to build those essential qualities into a machine that offered a level of performance that couldn't be found anywhere else.

The result is the PRO LINE™ Series 2 and 4 slice toasters.

The stainless steel and die-cast metal construction will withstand the toughest kitchen environment – and look terrific doing so. A tone sounds when your toast is ready, but the toast will remain within the warm toasting cavity until you're ready to remove it. Nine shade levels provide toast for every taste, and a heat sensor and microprocessor ensure beautifully consistent results slice after slice. Dual controls on the 4-slice Toaster speeds preparation when toasting different breads or making toast for particular tastes.

The KitchenAid® PRO LINE™ Series: commercial quality for the discriminating home chef. From the company distinguished by its legendary craftsmanship.



TABLE OF CONTENTS

INTRODUCTION

Introduction.....	2
Toaster Safety.....	4
Important Safeguards.....	5
Proof of Purchase & Product Registration.....	6
Electrical Requirements.....	7

FEATURES AND OPERATION

Toaster Features.....	10
Using the Toasters	
Before First Use.....	13
Dual Controls of the 4KPTT890.....	13
Toaster Operation.....	13
Checking the Toasting Progress.....	15
Canceling the Toasting Cycle.....	15
Toasting Tips.....	16
Using the Sandwich Rack & Bun Warmer Accessories.....	17
Care & Cleaning.....	19
Troubleshooting.....	20
Recipes for Flavoured Butter.....	21

WARRANTY AND SERVICE INFORMATION

Total Satisfaction Warranty for Canada.....	26
Arranging for Warranty Service.....	27
Arranging for Service After the Warranty Expires.....	28

TOASTER SAFETY

Your safety and the safety of others are very important.

We have provided many important safety messages in this manual and on your appliance. Always read and obey all safety messages.



This is the safety alert symbol.

This symbol alerts you to potential hazards that can kill or hurt you and others.

All safety messages will follow the safety alert symbol and either the word "DANGER" or "WARNING." These words mean:

! DANGER

You can be killed or seriously injured if you don't immediately follow instructions.

! WARNING

You can be killed or seriously injured if you don't follow instructions.

All safety messages will tell you what the potential hazard is, tell you how to reduce the chance of injury, and tell you what can happen if the instructions are not followed.

IMPORTANT SAFEGUARDS

When using electrical appliances, basic safety precautions should always be followed, including the following:

1. Read all instructions.
2. Do not touch hot surfaces. Use handles or knobs.
3. To protect against electrical shock, do not immerse cord, plugs, or Toaster in water or other liquids.
4. Close supervision is necessary when any appliance is used by or near children.
5. Unplug Toaster from outlet when not in use and before cleaning. Allow to cool before putting on or taking off parts.
6. Do not operate any appliance with a damaged cord or plug, or after the appliance malfunctions or has been damaged in any manner. Return appliance to the nearest authorized service facility for examination, repair, or adjustment.
7. The use of accessory attachments not recommended by the appliance manufacturer may cause injuries.
8. Do not use outdoors.
9. Do not let cord hang over edge of table or counter, or touch hot surfaces.
10. Do not place on or near a hot gas or electric burner, or in a heated oven.
11. To disconnect, turn any control to "Off", then remove plug from outlet.
12. Do not use appliance for other than intended use.
13. Oversize foods, metal foil packages, or utensils must not be inserted in Toaster as they may involve a risk of fire or electric shock.
14. A fire may occur if Toaster is covered or touching flammable material, including curtains, draperies, walls and the like, when in operation.
15. Do not attempt to dislodge food when Toaster is plugged in.
16. This product has been cUL Listed for household use only.

SAVE THESE INSTRUCTIONS

PROOF OF PURCHASE & PRODUCT REGISTRATION

Always keep a copy of the sales receipt showing the date of purchase of your Toaster. Proof of purchase will assure you of in-warranty service.

Before you use your Toaster, please fill out and mail your product registration card packed with the unit. This card will enable us to contact you in the unlikely event of a product safety notification. This card does not verify your warranty.

Please complete the following for your personal records:

Model Number: 2-Slice Toaster – 4KPTT780

4-Slice Toaster – 4KPTT890

Date Purchased _____

Dealer's Name _____

Address _____

Phone _____

ELECTRICAL REQUIREMENTS

Volts: 120 V.A.C. only.
Hertz: 60 Hz



NOTE: This Toaster has a 3 prong grounded plug. To reduce the risk of electrical shock, this plug will fit in an outlet only one way. If the plug does not fit in the outlet, contact a qualified electrician. Do not modify the plug in any way.

⚠ WARNING
Electrical Shock Hazard Plug into a grounded 3 prong outlet. Do not remove ground prong. Do not use an adapter. Do not use an extension cord. Failure to follow these instructions can result in death, fire, or electrical shock.

INTRODUCTION

Do not use an extension cord. If the power supply cord is too short, have a qualified electrician or serviceman install an outlet near the appliance.

FEATURES AND OPERATION

Features and Operation Section Contents

Toaster Features.....	10
Using the Toaster	
Before First Use.....	13
Dual Controls (Model 4KPTT890) ..	13
Toaster Operation	13
Checking the Toasting Progress.....	15
Canceling the Toasting Cycle.....	15
Toasting Tips	16
Toaster Accessories	17
Care and Cleaning	19
Troubleshooting.....	20
Flavoured Butter Recipes.....	21

MODEL
4KPTT890 & 4KPTT780

TOASTER FEATURES



Model 4KPTT890
4-slice Toaster



Model 4KPTT780
2-slice Toaster

Stainless Steel and Die-Cast Metal Construction

Designed to withstand the commercial environment, the rugged metal construction will last for years.

Outstanding Performance

Heavy gauge heating elements held flat on extra-thick mica boards ensure even browning. A heat sensor and microprocessor yield consistent toasting slice after slice, without pre-heating.

Flexible Operation

On the 4-slice 4KPTT890, each pair of slots features its own shade dial, lift lever, and on/off switch. Speeds preparation when making toast for different tastes.



Wide, Deep Slots

1" (2.5 cm) wide slots handle bagels, English muffins, thick breads, and toaster pastries

easily. Extra-deep toasting cavity enhances even browning.



Stay Warm™ Feature

After toasting is complete, bread remains in the warm toasting cavity until it is raised

manually. Raising the lift lever doesn't cancel a toasting cycle, so the toasting progress can be checked anytime. Lift levers are motion-damped for smooth operation.

True Vertical Lift

Lift lever raises bread vertically, not in an arc – so specialty breads are less likely to tear or jam in slots.



Shade Dial

9 shade levels provide consistent browning for every taste.



On/Off Switch

Turn switch momentarily to "On" to start toasting, or to "Off" to stop a toasting cycle.

Continued...

TOASTER FEATURES

Function Light

Indicates when toaster is operating.

Toasting Finished Tone

Tone sounds when a toasting cycle is complete.



Removable Crumb Tray

Full-width, polished stainless steel tray is dishwasher-safe. Model

4KPTT890 has two trays, one for each pair of slots.



Under Base Cord Wrap

Keeps extra cord out of sight and out of the way.

Overtemp Protection

Toasting cycle is electronically controlled. Toaster will not remain on and overheat due to a mechanical jam or failure.

USING THE PRO LINE™ SERIES TOASTERS

MODEL 4KPTT890 & 4KPTT780

Before First Use:

Before using your toaster, check the slots and remove any packing or printed material that may have fallen inside during shipping or handling.

The toaster may emit a pungent odor or light smoke the first time you use it. This is a normal result of the manufacturing process. The odor or smoke is harmless and will dissipate quickly.

Dual Controls of the 4KPTT890:

The 4-slice 4KPTT890 toaster has separate controls for each pair of toasting slots, so you can prepare toast for different tastes – or toast different breads – simultaneously. Follow the same operating steps regardless of which slot pair you are using.

Toaster Operation:

1. Shorten the cord, if necessary, by wrapping it under the base.



Model 4KPTT890
4-slice Toaster



Model 4KPTT780
2-slice Toaster

FEATURES AND OPERATION

Continued...

USING THE PRO LINE™ SERIES TOASTERS

MODEL 4KPTT890 & 4KPTT780

⚠ WARNING



Electrical Shock Hazard
Plug into a grounded 3 prong outlet.
Do not remove ground prong.
Do not use an adapter.
Do not use an extension cord.
Failure to follow these instructions can result in death, fire, or electrical shock.

2. Plug toaster cord into a grounded 3 prong electrical outlet. A tone will sound when the toaster is connected.
3. Insert bread or other food to be toasted into the slots. If you have only 1 or 2 slices to toast, it makes no difference which pair of slots, or individual slot, you use.
4. Turn the Shade Dial to select the degree of darkness you want. Rotate the Shade Dial clockwise for darker toast, counter-clockwise for lighter. Shade settings 1–3 are light, 4–6 are medium, and 7–9 are dark.
5. Push the lift lever down until the bread is lowered as far as possible, then turn the On/Off Switch momentarily to the “On” position. The switch will spring back to the middle position and the function light will glow, indicating the toasting cycle has started.



NOTE: Toaster will automatically shut off if the On/Off Switch is held in the "On" position more than 15 seconds.

6. When the toasting cycle is complete, a tone will sound and the function light will stop glowing. The toast will remain in the warm toasting cavity until the lift lever is raised.

To Check Toasting Progress:

To check the progress of your toast during a toasting cycle, raise the manual lift lever. Raising the lift lever will not cancel the toasting cycle, enabling you to simply lower the bread if additional browning is required. If you remove the bread before a toasting cycle is complete, don't forget to cancel the cycle by turning the On/Off Switch momentarily to the "Off" position. If you forget to cancel the cycle, the toaster will automatically shut off at the end of the cycle time.

NOTE: Operating the toaster without bread will not harm the toaster.



To Cancel Toasting Cycle:

To cancel the toasting cycle at anytime, turn the On/Off Switch momentarily to the "Off" position. The function light will stop glowing and the toasting cycle will end.

TOASTING TIPS

1

Different types of bread and their moisture levels may require different shade settings. For example, dry bread will brown more rapidly than moist bread and will require a lighter setting. Bagels and English muffins usually require higher shade settings due to their firm texture and high density.

2



For best results, toast only one bread type and thickness at a time in a given pair of toasting slots.

USING THE OPTIONAL SANDWICH RACK & BUN WARMER ACCESSORIES

Sandwich Rack

Model 4KTSR

The sandwich rack is the perfect way to toast sandwiches quickly and easily.



To use:

1. Open the rack by spreading the handles apart.
2. Place one edge of the sandwich against the bottom channel of the rack.
3. Press the sandwich rack handles together to grip the sandwich.



4. Lower the toaster lift lever as far as possible and insert the sandwich rack into the slot.
5. Select a shade level and turn the On/Off Switch momentarily to the "On" position to begin toasting.
6. Remove sandwich rack when toasting is complete. Remember: the rack will be hot immediately following a toasting cycle.
7. Remove the sandwich from the rack. You may want to use a spatula or tongs when doing so.

FEATURES AND OPERATION

Continued...

USING THE OPTIONAL SANDWICH RACK & BUN WARMER ACCESSORIES

Sandwich Toasting Tips

- Do not overfill the sandwich. Thinly sliced ingredients – like ham, turkey, and cheese – work best.
- Lightly butter the outside of the sandwich bread – do not butter the side which faces the filling. Buttering the outside of the bread slows browning and helps warm the filling.

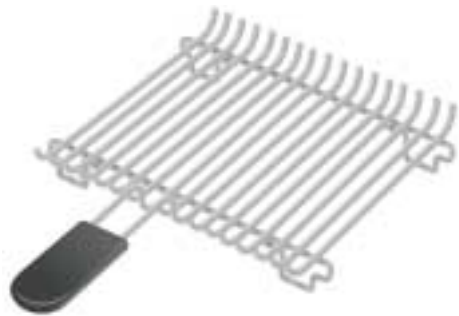


Bun Warmer

Model 4KTBW2 – 2-slice

Model 4KTBW4 – 4-slice

Conveniently warm buns on the top of your toaster with the bun warmer accessory.



To use:

1. Lower the toaster lift lever or levers as far as possible. Place bun warmer on top of the toaster, making sure the formed wire loops on the bottom of the warmer fit into the toaster slots.
2. Place buns on top of the warmer, select a shade level, and turn the On/Off Switch momentarily to the "On" position to begin warming. Remember: the bun warmer will be hot immediately following a toasting cycle.

CARE AND CLEANING

1 Always unplug the toaster and let it cool before cleaning.

2 Slide out the crumb tray (the 4KPTT890 has two trays, one for each pair of slots) and shake the crumbs into a waste container. It is recommended that the crumb tray be emptied after each use. Remember: the tray will be hot immediately following a toasting cycle.

NOTE: Lifting the crumb tray handle locks the crumb tray inside the toaster, preventing removal. Always pull the crumb tray straight from the toaster without lifting the handle.

The crumb tray can be washed in the top rack of a dishwasher, or by hand in warm soapy water. If hand washing, be sure to rinse the tray and dry it thoroughly with a soft cloth.

Be sure to insert the crumb tray into the toaster as far as possible. For best toasting results do not use the toaster without the crumb tray in its proper position.

3 The optional sandwich rack and bun warmer accessories can be washed in the top rack of a dishwasher, or by hand in warm soapy water. If hand washing, be sure to rinse the accessory and dry it thoroughly with a soft cloth.

4 Wipe the toaster with a soft, damp cotton cloth. Do not use abrasive cleansers, scrubbers, or liquid cleaning products. Do not immerse the toaster in water.

5 KitchenAid Canada does not recommend the use of a toaster cover.

TROUBLESHOOTING

The toaster may emit a pungent odor or light smoke the first time you use it. This is a normal result of the manufacturing process. The odor or smoke is harmless and will dissipate quickly.

- **If the function light remains dark and the toaster fails to heat when the On/Off Switch is turned to “On”:**

Check to see if the toaster is plugged in; if it is, unplug the toaster, then plug it back in again. A tone will sound when the toaster is plugged into a live electrical outlet. If no tone sounds, check the electrical circuit the toaster is connected to – is a fuse blown or a circuit-breaker tripped in your home? If the problem cannot be corrected, see the KitchenAid Warranty on page 26 for service information.*

- **If you have difficulty removing the crumb tray:**

Lifting the crumb tray handle locks the crumb tray inside the toaster, preventing removal. Always pull the crumb tray straight from the toaster without lifting the handle.

- **If the function light next to the On/Off Switch flashes:**

A flashing function light signals a fault in the toaster electronics. Unplug the toaster and refer to the KitchenAid Warranty on page 26 for service information.*

* Do not return the Toaster to the retailer – they do not provide service.

RECIPES FOR
FLAVOURED BUTTER

HONEY-ORANGE BUTTER

Add all ingredients to food processor. Process until thoroughly mixed, about 30 seconds.

Yield: ½ cup (125 ml) (16½-tablespoon servings).

Per serving: About 56 cal, 0 g pro, 1 g carb, 6 g fat, 16 mg chol, 38 mg sod.

½ cup (125 ml) very soft butter, margarine, or reduced-calorie margarine

2 tablespoons (25 ml) orange juice concentrate, thawed

1 tablespoon (15 ml) honey

½ teaspoon (2 ml) cinnamon

FEATURES AND OPERATION

RECIPES FOR **FLAVOURED BUTTER**

½ cup (125 ml) very soft butter, margarine, or reduced-calorie margarine

1 tablespoon (15 ml) fresh thyme leaves (stripped from stem)

4 teaspoons (20 ml) lemon juice

LEMON-THYME BUTTER

Add all ingredients to food processor. Process until thoroughly mixed, about 30 seconds.

Yield: ½ cup (125 ml) (16½-tablespoon servings).

Per serving: About 51 cal, 0 g pro, 0 g carb, 6 g fat, 16 mg chol, 39 mg sod.

RECIPES FOR FLAVOURED BUTTER

CHEESY GARLIC BUTTER

With food processor running, add garlic through feed tube. Process until coarsely chopped, about 5 seconds. Add remaining ingredients. Process until well mixed, about 30 seconds.

Yield: ½ cup (125 ml) (16½-tablespoon servings).

Per serving: About 58 cal, 1 g pro, 0 g carb, 6 g fat, 17 mg chol, 67 mg sod.

- 1 *clove garlic*
- ½ *cup (125 ml) very soft butter, margarine, or reduced-calorie margarine*
- ¼ *cup (50 ml) freshly grated Parmesan cheese*

WARRANTY
AND **SERVICE**
INFORMATION

**Warranty Information
Section Contents**

Total Satisfaction	
Warranty for Canada	26
Arranging for Warranty Service	27
Arranging for Service After the Warranty Expires	28

TOTAL SATISFACTION

WARRANTY FOR CANADA

Length of Warranty:	KitchenAid Canada Will Pay For:	KitchenAid Canada Will Not Pay For:
 <p>Two Years Full Warranty for Household Use, from date of purchase.</p>	<p>Replacement parts and repair labour costs to correct defects in materials and workmanship. Service must be provided by a designated KitchenAid Canada Servicer.</p> <p>OR</p> <p>Replacement of your KitchenAid® PRO LINE™ small appliance will be arranged if deemed unserviceable at the sole discretion of KitchenAid Canada. See page 27 for how to arrange for warranty service.</p>	<ul style="list-style-type: none"> A. Repairs when KitchenAid® PRO LINE™ small appliance is used in other than normal single family home use. B. Damage resulting from accident, alteration, misuse or abuse, fire, floods, acts of God, or use of products not approved by KitchenAid Canada. C. Any incidental shipping or handling cost to deliver your KitchenAid® PRO LINE™ small appliance to a designated KitchenAid Canada Servicer. D. Replacement parts or repair labour costs for KitchenAid® PRO LINE™ small appliance operated outside Canada.

KITCHENAID CANADA DOES NOT ASSUME ANY RESPONSIBILITY FOR INCIDENTAL OR CONSEQUENTIAL DAMAGES. Some provinces do not allow the exclusion or limitation of incidental or consequential damages, so this exclusion may not apply to you. This warranty gives you specific legal rights and you may also have other rights which may vary from province to province.

ARRANGING FOR WARRANTY SERVICE

- First review the Troubleshooting section on page 20, to possibly avoid the need for service or visit our web site at www.KitchenAid.ca
- If you reside in Canada and your KitchenAid® PRO LINE™ Series small appliance should fail within the first two years of ownership, simply call our toll-free Customer Interaction Centre at **1-800-461-5681** Monday through Friday, 8 a.m. to 6 p.m. (Eastern Time), Saturday, 8:30 a.m. to 4:30 p.m. or email cac@whirlpool.com
- KitchenAid Canada will arrange for service of your KitchenAid® PRO LINE™ Series small appliance through a designated KitchenAid Canada Servicer or should the product be deemed unserviceable, at the sole discretion of KitchenAid Canada, the unit may be replaced with an identical or comparable replacement to your door free of charge. KitchenAid Canada will also provide directions on how to return your failed KitchenAid® PRO LINE™ Series small appliance to us. Your replacement unit will also be covered by our two year full warranty.
- When you receive your replacement KitchenAid® PRO LINE™ Series small appliance, use the carton and packing materials to pack-up your failed KitchenAid® PRO LINE™ Series small appliance. In the carton, include your name and address on a sheet of paper along with a copy of the proof of purchase (register receipt, credit card charge slip, etc...).

ARRANGING FOR **SERVICE** AFTER THE **WARRANTY** EXPIRES

- First review the Troubleshooting section on page 20 or visit our web site at www.KitchenAid.ca
- If you do not have access to the internet, consult your telephone directory for a designated KitchenAid Canada Servicer near you. If one is not listed contact KitchenAid Canada Service from anywhere in Canada at **1-800-807-6777**.
- Take the KitchenAid® PRO LINE™ Series small appliance or ship prepaid and insured to a designated KitchenAid Canada Servicer. Your repaired KitchenAid® PRO LINE™ Series small appliance will be returned prepaid and insured.
- All out-of-warranty service should be handled by a designated KitchenAid Canada Servicer.

For more information on your KitchenAid® PRO LINE™ Series small appliance please visit our web site at www.KitchenAid.ca





FOR THE WAY IT'S MADE.®

® Registered Trademark/™ Trademark of KitchenAid, U.S.A.
KitchenAid Canada licensee in Canada. © 2004. All rights reserved.

Specifications subject to change without notice.

dZw304

KitchenAid®
SÉRIE PRO LINE™

MODÈLES
DE GRILLE-PAIN
4KPTT890
ET **4KPTT780**

Introduction

Cette section comprend :

Table des matières	3
Sécurité de l'appareil	4
Consignes de sécurité importantes.....	5
Preuve d'achat et enregistrement du produit.....	7
Alimentation électrique.....	8



Les **grille-pain de la série PRO LINE™** **KitchenAid®**... un alliage hors pair de durabilité commerciale, de style classique et de rendement contemporain qui frise la perfection. Nous avons

entrepris le processus de conception en étudiant avant tout la nature du grille-pain dans la cuisine commerciale et nous avons rapidement conclu que la simplicité, la fiabilité et le travail bien fait étaient les caractéristiques les plus appréciées par les professionnels. Notre objectif est alors devenu évident : nous devons intégrer ces qualités essentielles à un appareil qui offrirait un niveau de rendement inégalé.

Cette approche a donné naissance aux grille-pain à 2 et à 4 tranches de la série PRO LINE™.

La construction en acier inoxydable et en métal moulé sous pression résiste, en toute élégance, aux utilisations les plus rigoureuses. Un signal sonore vous avertit lorsque vos rôties sont prêtes, mais celles-ci restent dans la cavité chaude du grille-pain jusqu'à ce que vous les retiriez. Neuf niveaux d'intensité permettent de faire griller des rôties pour plaire à tous les goûts, et un capteur de chaleur ainsi qu'un microprocesseur assurent un brunissement uniforme à tout coup.

Les commandes doubles du grille-pain à 4 tranches accélèrent la cuisson lorsque vous faites griller différents pains ou que vous faites des rôties pour des personnes aux goûts particuliers.



La série KitchenAid® PRO LINE™ : une qualité commerciale pour le chef maison exigeant. Fabriquée par une entreprise reconnue pour son savoir-faire légendaire.

TABLE DES MATIÈRES

INTRODUCTION

Introduction.....	2
Sécurité de l'appareil.....	4
Consignes de sécurité importantes.....	5
Preuve d'achat et enregistrement du produit.....	7
Alimentation électrique.....	8

CARACTÉRISTIQUES ET FONCTIONNEMENT

Caractéristiques des grille-pain.....	10
Utilisation des grille-pain	
Avant d'utiliser pour la première fois.....	13
Commandes doubles du modèle 4KPTT890.....	13
Fonctionnement des grille-pain.....	13
Vérification du brunissement en cours.....	15
Interruption du cycle de cuisson.....	15
Conseils.....	16
Utilisation du panier à sandwich et du réchaud pour petits pains.....	17
Entretien et nettoyage.....	19
Dépannage.....	20
Recettes de beurres parfumés.....	21

GARANTIE ET INFORMATION SUR LE SERVICE APRÈS-VENTE

Garantie de satisfaction totale pour le Canada.....	26
Comment vous prévaloir du service après-vente couvert par la garantie.....	27
Comment vous prévaloir du service après-vente après l'expiration de la garantie.....	28

SÉCURITÉ DE L'APPAREIL

Votre sécurité et celle des autres est très importante.

Nous donnons de nombreux messages de sécurité importants dans ce manuel et sur votre appareil ménager. Assurez-vous de toujours lire tous les messages de sécurité et de vous y conformer.



Voici le symbole d'alerte de sécurité.

Ce symbole d'alerte de sécurité vous signale les dangers potentiels de décès et de blessures graves à vous et à d'autres.

Tous les messages de sécurité suivront le symbole d'alerte de sécurité et le mot "DANGER" ou "AVERTISSEMENT". Ces mots signifient :

⚠ DANGER

Risque possible de décès ou de blessure grave si vous ne suivez pas immédiatement les instructions.

⚠ AVERTISSEMENT

Risque possible de décès ou de blessure grave si vous ne suivez pas les instructions.

Tous les messages de sécurité vous diront quel est le danger potentiel et vous disent comment réduire le risque de blessure et ce qui peut se produire en cas de non-respect des instructions.

CONSIGNES DE SÉCURITÉ IMPORTANTES

Lors de l'utilisation d'appareils électriques, il est important d'observer en tout temps certaines précautions élémentaires, notamment :

1. Veuillez lire toutes les directives.
2. Ne touchez pas les surfaces chaudes. Utilisez les poignées ou les boutons.
3. N'immergez pas le grille-pain, le cordon d'alimentation ni la fiche dans l'eau ou tout autre liquide pour éviter les chocs électriques.
4. Une surveillance étroite s'impose lorsque tout appareil est utilisé par des enfants ou à proximité d'eux.
5. Débranchez le grille-pain après l'usage et avant de le nettoyer. Laissez-le refroidir avant de mettre ou de retirer des pièces.
6. Ne branchez aucun appareil qui présente un défaut de fonctionnement ou qui a été endommagé de quelque façon que ce soit ou dont la fiche ou le cordon d'alimentation est endommagé. Retournez l'appareil au Centre de service après-vente autorisé le plus proche pour le faire inspecter ou réparer, ou pour y faire effectuer des réglages.
7. L'utilisation d'accessoires non recommandés par le fabricant pose des risques de blessures.
8. N'utilisez pas l'appareil à l'extérieur.
9. Ne laissez pas le cordon d'alimentation pendre d'une table ou d'un comptoir, ou toucher des surfaces chaudes.
10. Ne placez pas l'appareil sur ou près d'une plaque à gaz ou électrique chaude, ou dans un four chaud.
11. Pour débrancher, tournez tous les interrupteurs à « Off », puis retirez la fiche de la prise.

CONSERVEZ CES DIRECTIVES

suite...

CONSIGNES DE SÉCURITÉ IMPORTANTES

12. N'utilisez pas cet appareil dans un but autre que celui auquel il est destiné.
13. N'insérez pas d'aliments de trop grande taille, des emballages en aluminium ou des ustensiles dans le grille-pain. Cela pourrait provoquer un incendie ou un choc électrique.
14. Ne recouvrez pas le grille-pain et ne le mettez pas en contact avec des matériaux inflammables tels que des rideaux, des draperies, les murs ou objets similaires pendant qu'il fonctionne ; cela pourrait provoquer un incendie.
15. N'essayez pas de dégager des aliments lorsque le grille-pain est branché.
16. Ce produit est homologué cUL pour usage domestique seulement.

CONSERVEZ CES DIRECTIVES

PREUVE D'ACHAT

ET ENREGISTREMENT DU PRODUIT

Gardez toujours une copie du reçu de caisse indiquant la date d'achat du grille-pain. Une preuve d'achat est requise pour bénéficier du service après-vente couvert par la garantie.

Avant d'utiliser votre grille-pain, veuillez remplir la carte d'enregistrement emballée avec le produit et nous retourner celle-ci par la poste. Cette carte nous permet de vous contacter dans le cas peu probable d'un avis de sécurité. Cette carte n'est pas une confirmation de votre garantie.

Veuillez inscrire les renseignements suivants que vous pourrez conserver dans vos dossiers personnels :

Numéro de modèle : Grille-pain à 2 tranches – 4KPTT780

Grille-pain à 4 tranches – 4KPTT890

Date d'achat _____

Nom du détaillant _____

Adresse _____

Téléphone _____

ALIMENTATION ÉLECTRIQUE

Volts : 120 V, c.a. uniquement
Hertz : 60 Hz



REMARQUE : Ce grille-pain a une fiche de terre à trois broches. Pour réduire le risque de choc électrique, il n'y a qu'une façon d'introduire cette fiche dans une prise. Si la fiche n'entre pas entièrement dans la prise, contactez un électricien qualifié. Ne modifiez la fiche d'aucune façon.

⚠ AVERTISSEMENT



Risque de choc électrique

Brancher sur une prise à 3 alvéoles reliée à la terre.

Ne pas enlever la broche de liaison à la terre.

Ne pas utiliser un adaptateur.

Ne pas utiliser un câble de rallonge.

Le non-respect de ces instructions peut causer un décès, un incendie ou un choc électrique.

N'utilisez pas de rallonge. Si le cordon d'alimentation est trop court, demandez à un électricien qualifié ou à un technicien du service après-vente d'installer une prise à proximité de l'appareil.

CARACTÉRISTIQUES ET FONCTIONNEMENT

Caractéristiques et fonctionnement

Cette section comprend :

Caractéristiques des grille-pain.....	10
Utilisation des grille-pain Avant d'utiliser pour la première fois	13
Commandes doubles (modèle 4KPTT890)	13
Fonctionnement des grille-pain	13
Vérification du brunissement en cours	15
Interruption du cycle de cuisson ...	15
Conseils	16
Utilisation du panier à sandwich et du réchaud	17
Entretien et nettoyage	19
Dépannage.....	20
Recettes de beurres parfumés	21

CARACTÉRISTIQUES DES GRILLE-PAIN

MODÈLES 4KPTT890 ET 4KPTT780



Modèle 4KPTT890
Grille-pain à 4 tranches



Modèle 4KPTT780
Grille-pain à 2 tranches

Construction en acier inoxydable et en métal moulé sous pression

Conçu pour résister à l'environnement commercial, ce modèle en métal robuste durera pendant des années.

Rendement exceptionnel

Des éléments de cuisson ultrarobustes maintenus à plat sur du mica aggloméré de forte épaisseur assurent un brunissement uniforme. Un capteur de chaleur et un microprocesseur produisent des rôties parfaites à tout coup, sans préchauffage.

Fonctionnement souple

Chaque paire de fentes du 4KPTT890 à 4 tranches comprend un cadran de commande d'intensité, une manette de levage et un interrupteur marche-arrêt pour accélérer la cuisson de rôties différentes.



Fentes larges et profondes

Les fentes de 2,5 cm (1 po) de large accueillent sans

problème les bagels, les muffins anglais, les tranches de pain épaisses et les pâtisseries à griller.

La cavité très profonde du grille-pain accroît l'uniformité du brunissement.



Fonction Stay Warm™

Après le brunissement, le pain reste dans la cavité chaude du grille-pain jusqu'à ce

qu'il soit soulevé manuellement. Le fait de soulever la manette n'interrompt pas le cycle de grillage ; vous pouvez donc vérifier le brunissement en tout temps. Le mouvement des manettes de levage est amorti pour assurer un fonctionnement en douceur.

suite...

CARACTÉRISTIQUES DES GRILLE-PAIN

MODÈLES 4KPTT890 ET 4KPTT780

Levage vertical

La manette de levage soulève le pain verticalement et non en décrivant un arc — les pains spéciaux risquent moins de se défaire ou d'être bloqués dans les fentes.



Ramasse-miettes amovible

Ce ramasse-miettes pleine largeur en acier inoxydable poli est lavable au lave-vaisselle. Le modèle 4KPTT890 présente deux ramasse-miettes, un pour chaque paire de fentes.



Cadran de commande d'intensité

Neuf niveaux d'intensité assurent un brunissement uniforme pour tous les goûts.



Range-cordon sous le socle

Permet de ranger discrètement le cordon inutile.



Interrupteur marche-arrêt

Tournez brièvement l'interrupteur à « On » pour griller ou à « Off » pour mettre fin au cycle de cuisson.

Protection contre la surchauffe

Le cycle de cuisson est contrôlé de façon électronique. Le grille-pain s'éteint et ne surchauffe pas en cas de blocage ou de défaillance mécanique.

Témoin de fonction

Indique que le grille-pain fonctionne.

Signal sonore

Un signal sonore est émis à la fin du cycle de cuisson.

UTILISATION DES GRILLE-PAIN

DE LA SÉRIE PRO LINE™

MODÈLES 4KPTT890 ET 4KPTT780

Avant d'utiliser pour la première fois :

Avant d'utiliser votre grille-pain, inspectez les fentes et retirez tout matériau d'emballage ou document qui y serait tombé lors de l'expédition ou de la manipulation.

Le grille-pain peut dégager une odeur âcre ou une légère fumée à la première utilisation. Il s'agit d'un résultat normal du processus de fabrication. L'odeur et la fumée sont inoffensives et se dissiperont rapidement.

Commandes doubles du modèle 4KPTT890 :

Le grille-pain à 4 tranches du modèle 4KPTT890 présente des commandes distinctes pour chaque paire de fentes de sorte que vous puissiez préparer des rôties pour des personnes aux goûts différents — ou faire griller des pains différents — en même temps. Suivez les mêmes étapes d'utilisation peu importe la paire de fentes utilisée.

Fonctionnement des grille-pain :

1. Raccourcissez le cordon, au besoin, en l'enroulant sous le socle.



Modèle 4KPTT890
Grille-pain à 4 tranches



Modèle 4KPTT780
Grille-pain à 2 tranches

suite...

UTILISATION DES GRILLE-PAIN

DE LA SÉRIE PRO LINE™

MODÈLES 4KPTT890 ET 4KPTT780

⚠️ AVERTISSEMENT



Risque de choc électrique

Brancher sur une prise à 3 alvéoles reliée à la terre.

Ne pas enlever la broche de liaison à la terre.

Ne pas utiliser un adaptateur.

Ne pas utiliser un câble de rallonge.

Le non-respect de ces instructions peut causer un décès, un incendie ou un choc électrique.

2. Branchez le cordon du grille-pain sur une prise à trois broches mise à la terre. Un signal sonore se fera entendre lorsque le grille-pain sera branché.
3. Insérez le pain ou autre aliment à griller dans les fentes. Si vous ne faites griller qu'une ou deux tranches, la paire de fentes ou la fente individuelle utilisée n'a pas d'importance.
4. Tournez le cadran de commande d'intensité pour dorer le pain comme vous le désirez. Tournez le cadran dans le sens horaire pour une tranche dorée plus foncée, et dans le sens contraire des aiguilles d'une montre pour un doré plus pâle. Réglages d'intensité : 1 à 3 - pâles, 4 à 6 - moyens et 7 à 9 - foncés.
5. Abaissez la manette jusqu'à ce que le pain soit le plus bas possible, puis tournez brièvement l'interrupteur marche-arrêt à la position « On ». L'interrupteur retournera à la position centrale, et le témoin de fonction s'illuminera pour indiquer le début du cycle de cuisson.



REMARQUE : Le grille-pain s'éteint automatiquement si l'interrupteur marche-arrêt est maintenu à la position « On » pendant plus de 15 secondes.

6. Lorsque le cycle de cuisson est terminé, un signal sonore est émis, et le témoin de fonction s'éteint. La rôtie demeure dans la cavité chaude du grille-pain jusqu'à ce que la manette soit soulevée.

Vérification du brunissement en cours :

Pour vérifier le brunissement de vos rôties pendant le cycle de cuisson, soulevez la manette de levage. Cela n'interrompt pas le cycle de cuisson ; vous n'avez qu'à rabaisser la manette pour faire griller davantage. Si vous retirez le pain avant la fin du cycle de cuisson, n'oubliez pas d'interrompre le cycle en tournant brièvement l'interrupteur marche-arrêt à la position « Off ». Si vous oubliez d'interrompre le cycle, le grille-pain s'éteint automatiquement à la fin du temps de cycle.

REMARQUE : L'utilisation du grille-pain sans pain n'endommage pas le grille-pain.



Interruption du cycle de cuisson :

Pour interrompre le cycle de cuisson en tout temps, tournez brièvement l'interrupteur marche-arrêt à la position « Off ». Le témoin de fonction s'éteindra, et le cycle de cuisson cessera.

SÉRIE PRO LINE™

CONSEILS

1

Il peut être nécessaire de varier les réglages d'intensité en fonction des types de pain et de leur taux d'humidité. Le pain sec, par exemple, dorera plus rapidement que le pain moelleux et nécessitera un réglage moins fort. Les bagels et les muffins anglais exigent habituellement un réglage élevé en raison de leur texture ferme et de leur densité élevée.

2



Pour des résultats optimaux, ne faites griller que du pain de même type et de même épaisseur dans une même paire de fentes à la fois.

UTILISATION

DU PANIER À SANDWICH ET DU RÉCHAUD POUR PETITS PAINS FACULTATIFS

Panier à sandwich

Modèle 4KTSR

Le panier à sandwich est l'accessoire parfait pour faire griller les sandwiches rapidement et facilement.



Mode d'emploi :

1. Ouvrez le panier en écartant les poignées.
2. Placez un côté du sandwich contre la partie inférieure du panier.
3. Ramenez les poignées du panier ensemble pour saisir le sandwich.



4. Abaissez la manette de levage du grille-pain le plus possible et insérez le panier à sandwich dans la fente.
5. Réglez le niveau d'intensité et tournez brièvement l'interrupteur marche-arrêt à la position « On ».
6. Retirez le panier à sandwich lorsque le brunissement est terminé. N'oubliez pas : le panier est chaud à la fin du cycle de cuisson.
7. Retirez le sandwich du panier. Vous pouvez utiliser une spatule ou une pince.

CARACTÉRISTIQUES ET FONCTIONNEMENT

suite...

UTILISATION

DU PANIER À SANDWICH ET DU RÉCHAUD POUR PETITS PAINS FACULTATIFS

Conseils pour faire griller les sandwichs

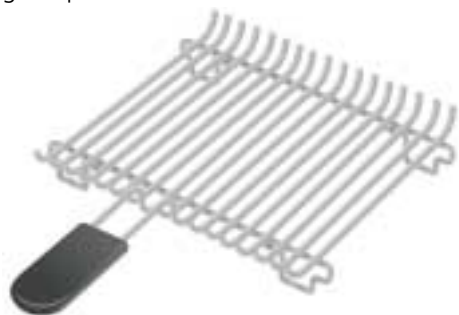
- Ne remplissez pas trop le sandwich. Les ingrédients tranchés minces — par exemple le jambon, la dinde et le fromage — sont préférables.
- Beurrez légèrement l'extérieur du sandwich — ne beurrez pas l'intérieur. Le fait de beurrer l'extérieur du pain ralentit le brunissement et aide à réchauffer la garniture.

Réchaud pour petits pains

Modèle 4KTBW2 — 2 tranches

Modèle 4KTBW4 — 4 tranches

Cet accessoire pratique permet de réchauffer les petits pains sur le grille-pain.



Mode d'emploi :

1. Abaissez la manette ou les manettes de levage le plus possible. Placez le réchaud pour petits pains sur le grille-pain en vous assurant que les anneaux en métal formés de la partie inférieure du réchaud sont insérés dans les fentes du grille-pain.
2. Placez les petits pains sur le réchaud, réglez le niveau d'intensité et tournez brièvement l'interrupteur marche-arrêt à la position « On ». N'oubliez pas : le réchaud pour petits pains est chaud à la fin du cycle de cuisson.

ENTRETIEN ET NETTOYAGE

1 Débranchez toujours le grille-pain et laissez-le refroidir avant de le nettoyer.

2 Faites glisser le ramasse-miettes (le 4KPTT890 comporte deux ramasse-miettes, un pour chaque paire de fentes) et jetez les miettes dans une poubelle. Il est conseillé de vider le ramasse-miettes après chaque utilisation. N'oubliez pas : à la fin du cycle de cuisson, le ramasse-miettes est chaud.

REMARQUE : Le fait de soulever la poignée du ramasse-miettes bloque le ramasse-miettes dans le grille-pain et en empêche le retrait. Tirez toujours le ramasse-miettes à l'horizontale sans lever la poignée.

Le ramasse-miettes peut être lavé dans le panier supérieur du lave-vaisselle ou à la main dans de l'eau chaude savonneuse. Si vous le lavez à la main, assurez-vous de le rincer et de bien le sécher à l'aide d'un chiffon doux.

Assurez-vous d'insérer le ramasse-miettes le plus loin possible dans le grille-pain. Pour des résultats optimaux, n'utilisez pas le grille-pain sans le ramasse-miettes en place.

3 Le panier à sandwich et le réchaud pour petits pains facultatifs peuvent être lavés dans le panier supérieur du lave-vaisselle ou à la main dans de l'eau chaude savonneuse. Si vous les lavez à la main, assurez-vous de les rincer et de bien les sécher à l'aide d'un chiffon doux.

4 Essuyez le grille-pain avec un chiffon doux humide. N'utilisez pas de détergents abrasifs, de tampons ou d'ustensiles à récuser ou de produits de nettoyage liquides. Ne plongez pas le grille-pain dans l'eau.

5 KitchenAid Canada ne recommande pas l'utilisation d'un protège-grille-pain.

DÉPANNAGE

Le grille-pain peut dégager une odeur âcre ou une légère fumée à la première utilisation. Il s'agit d'un résultat normal du processus de fabrication. L'odeur et la fumée sont inoffensives et se dissipent rapidement.

- **Si le témoin de fonction reste éteint et que le grille-pain ne chauffe pas lorsque l'interrupteur marche-arrêt est tourné à « On » :**

Vérifiez si le grille-pain est branché ; s'il l'est, débranchez-le puis rebranchez-le. Un signal sonore est émis lorsque le grille-pain est branché sur une prise sous tension. Si aucun signal sonore n'est émis, vérifiez le circuit électrique sur lequel le grille-pain est branché — y a-t-il un fusible grillé ou un disjoncteur déclenché dans la maison ? Si le problème ne peut être corrigé, consultez la section sur la garantie KitchenAid à la page 26 pour savoir comment vous prévaloir du service après-vente.*

- **Si vous avez de la difficulté à retirer le ramasse-miettes :**

Le fait de soulever la poignée du ramasse-miettes bloque celui-ci dans le grille-pain et en empêche le retrait. Tirez toujours le ramasse-miettes à l'horizontale sans lever la poignée.

- **Si le témoin de fonction à côté de l'interrupteur marche-arrêt clignote :**

Le clignotement du témoin de fonction indique une défectuosité des composants électroniques du grille-pain. Débranchez le grille-pain et consultez la section sur la garantie KitchenAid à la page 26 pour savoir comment vous prévaloir du service après-vente.*

* Ne retournez pas le grille-pain au détaillant — les détaillants n'offrent pas le service après-vente.

RECETTES DE BEURRES PARFUMÉS

BEURRE À L'ORANGE ET AU MIEL

Mettez tous les ingrédients dans le robot culinaire. Faites tourner jusqu'à ce que le tout soit bien mélangé, environ 30 secondes.

Donne : 125 ml (½ tasse) [16 portions de 7,5 ml (½ cuillère à soupe)]

Par portion : Environ 56 calories, 0 g protéines, 1 g glucides, 6 g matières grasses, 16 mg cholestérol, 38 mg sodium.

- 125 ml (½ tasse) de beurre, de margarine ou de margarine allégée ramolli(e)
- 25 ml (2 cuillères à soupe) de concentré de jus d'orange, décongelé
- 15 ml (1 cuillère à soupe) de miel
- 2 ml (½ cuillère à thé) de cannelle

CARACTÉRISTIQUES ET FONCTIONNEMENT

RECETTES DE BEURRES PARFUMÉS

- 125 ml ($\frac{1}{2}$ tasse) de
beurre, de margarine
ou de margarine
allégée ramollie(e)
- 15 ml (1 cuillère à
soupe) de feuilles de
thym frais (sans tige)
- 20 ml (4 cuillères à thé)
de jus de citron

BEURRE AU THYM ET AU CITRON

Mettez tous les ingrédients dans le robot culinaire.
Faites tourner jusqu'à ce que le tout soit bien
mélangé, environ 30 secondes.

Donne : 125 ml ($\frac{1}{2}$ tasse) [16 portions de 7,5 ml
($\frac{1}{2}$ cuillère à soupe)]

Par portion : Environ 51 calories, 0 g protéines,
0 g glucides, 6 g matières grasses,
16 mg cholestérol, 39 mg sodium.

RECETTES DE BEURRES PARFUMÉS

BEURRE À L'AIL ET AU FROMAGE

Alors que le robot est en marche, ajoutez l'ail par la goulotte. Faites tourner jusqu'à ce que l'ail soit grossièrement haché, environ cinq (5) secondes. Ajoutez le reste des ingrédients. Faites tourner jusqu'à ce que tout soit bien mélangé, environ 30 secondes.

Donne : 125 ml (½ tasse) [16 portions de 7,5 ml (½ cuillère à soupe)]

Par portion : Environ 58 calories, 1 g protéines, 0 g glucides, 6 g matières grasses, 17 mg cholestérol, 67 mg sodium.

1 gousse d'ail

125 ml (½ tasse) de
beurre, de margarine
ou de margarine
allégée ramolli(e)

50 ml (¼ tasse) de
parmesan râpé


CARACTÉRISTIQUES ET FONCTIONNEMENT

GARANTIE ET INFORMATION SUR LE **SERVICE** APRÈS-VENTE

Information sur la garantie
Cette section comprend :

Garantie de satisfaction totale pour le Canada.....	26
Comment vous prévaloir du service après-vente couvert par la garantie.....	27
Comment vous prévaloir du service après-vente après l'expiration de la garantie	28

GARANTIE DE **SATISFACTION** **TOTALE** POUR LE **CANADA**

Durée de la garantie :	KitchenAid Canada assumera les frais suivants :	KitchenAid Canada n'assumera pas les frais suivants :
 <p>Garantie totale de deux ans à compter de la date d'achat pour usage domestique.</p>	<p>Les pièces de rechange et les frais de main-d'oeuvre nécessaires pour corriger les vices de matériaux et de fabrication. Le service doit être assuré par un fournisseur de service après-vente KitchenAid Canada autorisé.</p> <p>OU</p> <p>Le remplacement de votre petit électroménager PRO LINE™ de KitchenAid®, si KitchenAid Canada, à sa seule discrétion, le juge irréparable. Voir la page 27 pour vous prévaloir du service après-vente couvert par la garantie.</p>	<p>A. Les réparations si un petit électroménager PRO LINE™ de KitchenAid® est utilisé à des fins autres qu'un usage unifamilial normal.</p> <p>B. Les dommages résultant d'un accident, d'une modification, d'une mauvaise utilisation, d'un emploi abusif, d'un incendie, d'une inondation, d'un cas de force majeure ou de l'utilisation de produits non approuvés par KitchenAid Canada.</p> <p>C. Les frais indirects d'expédition ou de manutention pour livrer le petit électroménager PRO LINE™ de KitchenAid® à un fournisseur de service après-vente KitchenAid Canada autorisé.</p> <p>D. Les pièces de rechange ou les frais de main-d'oeuvre nécessaires pour réparer un petit électroménager PRO LINE™ de KitchenAid® utilisé à l'extérieur du Canada.</p>

KITCHENAID CANADA N'ASSUME AUCUNE RESPONSABILITÉ POUR LES DOMMAGES ACCESSOIRES OU INDIRECTS. Certaines provinces n'autorisent ni l'exclusion, ni la limitation des dommages accessoires ou indirects de sorte que cette exclusion peut ne pas s'appliquer dans votre cas. La présente garantie vous confère des droits légaux spécifiques, en plus d'autres droits dont vous pouvez bénéficier et qui varient d'une province à l'autre.

COMMENT VOUS PRÉVALOIR DU SERVICE APRÈS-VENTE COUVERT PAR LA GARANTIE

- Consultez d'abord la section « Dépannage » à la page 20 ; il est possible que la réparation puisse être évitée ; ou visitez notre site Web à www.kitchenaid.ca.
- Si vous résidez au Canada et que votre petit électroménager de série PRO LINE™ de KitchenAid® tombe en panne au cours des deux premières années d'utilisation, il vous suffit d'appeler sans frais notre Centre d'interaction aux consommateurs au **1 800 461-5681**, du lundi au vendredi, entre 8 h et 18 h (HNE), le samedi, entre 8 h 30 et 16 h 30, ou envoyez un courriel à cac@whirlpool.com.
- KitchenAid Canada prendra les mesures nécessaires pour réparer votre petit électroménager de série PRO LINE™ de KitchenAid® en faisant appel à un fournisseur de service après-vente KitchenAid Canada autorisé ou, si le produit est jugé irréparable, à la seule discrétion de KitchenAid Canada, il pourra être remplacé par un appareil identique ou comparable qui vous sera livré sans frais à votre domicile. KitchenAid Canada vous expliquera comment nous retourner le petit électroménager de série PRO LINE™ de KitchenAid® défectueux. Votre appareil de remplacement sera également couvert par notre garantie totale de deux ans.
- Lorsque vous recevez votre petit électroménager de série PRO LINE™ de KitchenAid® de remplacement, servez-vous de la boîte et des matériaux d'emballage pour emballer votre petit électroménager de série PRO LINE™ de KitchenAid® défectueux. Dans la boîte, mettez une feuille de papier sur laquelle vous aurez indiqué vos nom et adresse, accompagnée d'une copie de la preuve d'achat (reçu de caisse, bordereau de carte de crédit, etc.).

COMMENT VOUS PRÉVALOIR DU SERVICE APRÈS-VENTE APRÈS L'EXPIRATION DE LA GARANTIE

- Consultez d'abord la section « Dépannage » à la page 20 ou visitez notre site Web à www.kitchenaid.ca
- Si vous n'avez pas accès à Internet, repérez dans l'annuaire téléphonique un fournisseur de service après-vente KitchenAid Canada autorisé situé près de chez vous. Si vous n'en trouvez aucun, composez le **1 800 807-6777** pour communiquer, d'où que vous soyez au Canada, avec la ligne de service après-vente KitchenAid Canada.
- Apportez le petit électroménager de série PRO LINE™ de KitchenAid® ou envoyez-le en port payé et assuré à un fournisseur de service après-vente KitchenAid Canada autorisé. Votre petit électroménager de série PRO LINE™ de KitchenAid® réparé vous sera retourné en port payé et assuré.
- Tout service non couvert par la garantie devrait être effectué par un fournisseur de service après-vente KitchenAid Canada autorisé.

Pour de plus amples renseignements sur votre petit électroménager de série PRO LINE™ de KitchenAid®, veuillez visiter notre site Web à www.kitchenaid.ca





BIEN PENSÉ. BIEN FABRIQUÉ.®

® Marque déposée / ™ Marque de commerce de KitchenAid, U.S.A.,
emploi licencié par KitchenAid Canada au Canada. © 2004. Tous droits réservés.

Caractéristiques sous réserve de modification sans préavis.

dZw304