

PARTS LIST

for

KitchenAid® **5-SPEED MIDLINE BLENDER**

56 OZ. PLASTIC JAR

MODELS:

KSB560WH0 (White)
KSB560ER0 (Empire Red)
KSB560OB0 (Onyx Black)
KSB560GC0 (Gloss Cinnamon)
KSB560MC0 (Metallic Chrome)
KSB560BW0 (Blue Willow)
KSB560TG0 (Tangerine)
KSB560PK0 (Pink)
KSB560BF0 (Buttercup)
KSB560SM0 (Silver Metallic)
KSB560CV0 (Caviar)
KSB560AQ0 (Aqua Sky)
KSB560PE0 (Pear)
KSB560BY0 (Boysenberry)
KSB560AC0 (Almond Creme)
KSB560YP0 (Yellow Pepper)



FOR CUSTOMER SATISFACTION ALWAYS USE
FACTORY SPECIFICATION PARTS

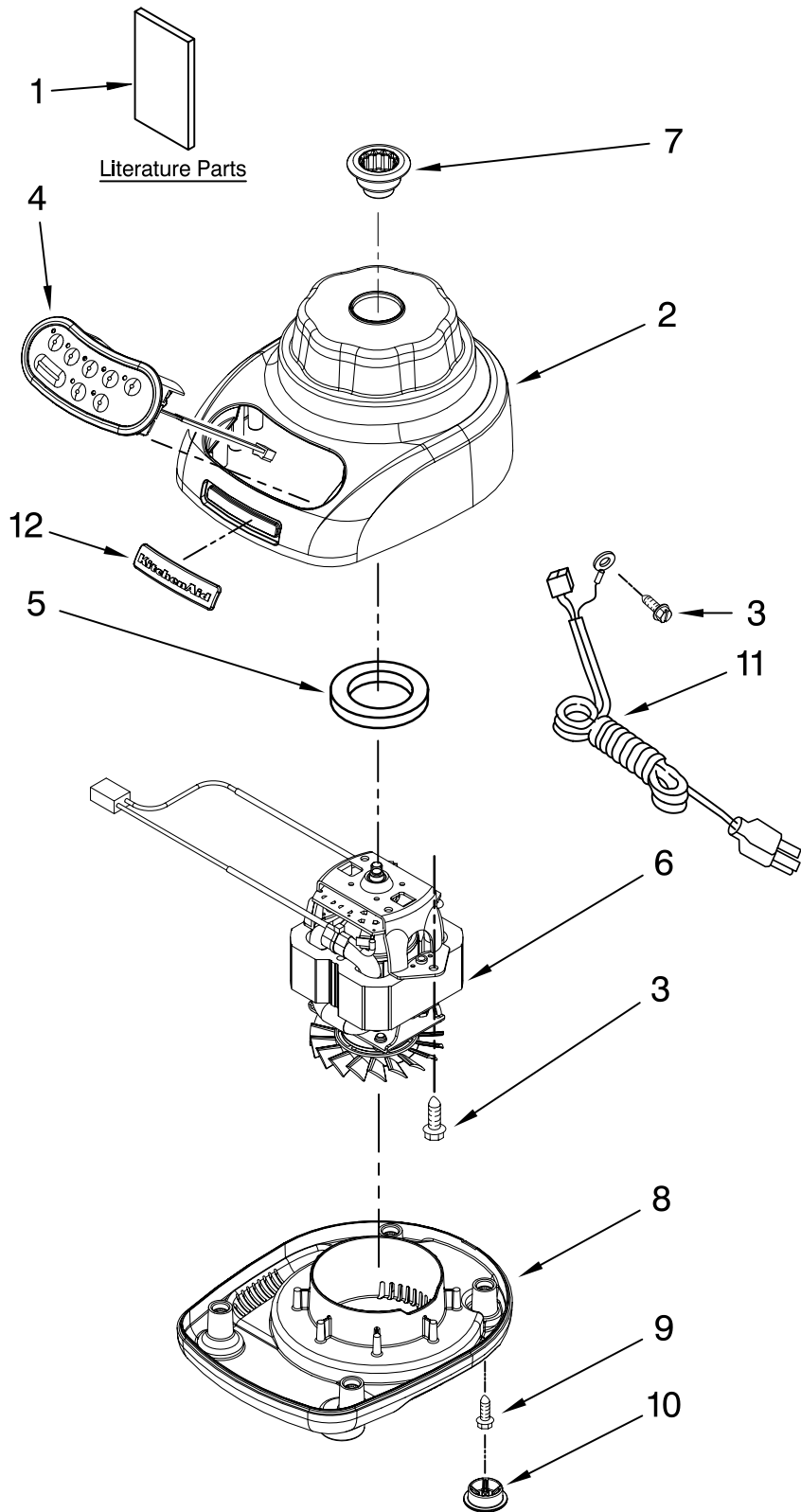


KITCHENAID

ST. JOSEPH MICHIGAN 49085

UNIT PARTS

FOR VARIATIONS OF MODEL: KSB560__0

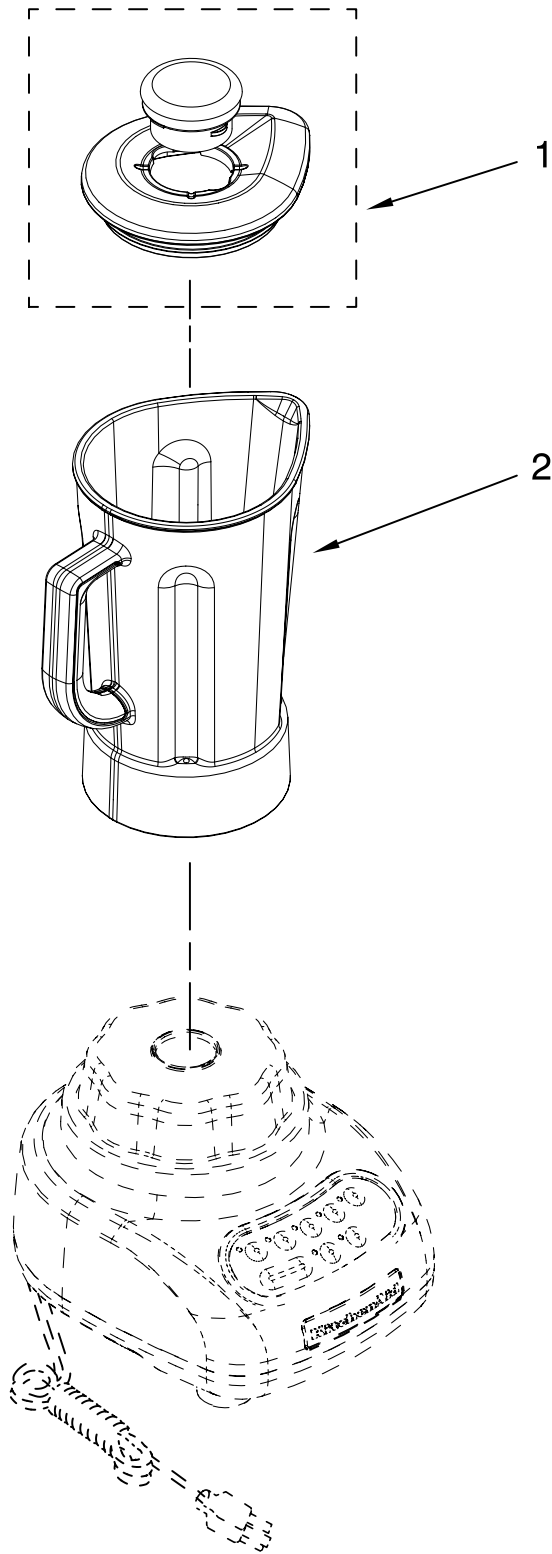


Illus. No.	Part No.	DESCRIPTION
1	9709225	Literature Parts Use & Care, Trilin
	8212258	Repair Parts List
2	9708896	Housing, Upper White
	9709259	Empire Red
	9709226	Onyx Black
	9709552	Gloss Cinnamon
	9709495	Metallic Chrome
	9709558	Blue Willow
	9709496	Tangerine
	9709497	Pink
	9709942	Buttercup
	W10131077	Silver Metallic
	W10154278	Caviar
	W10193661	Aqua Sky
W10194539	Pear	
W10253203	Boysenberry	
W10153370	Almond Creme	
W10273968	Yellow Pepper	
3	W10068250	Screw
4		Control Assembly (Incl. Overlay)
	9708845	Silver
	9709339	Black
5	9709366	Seal, Motor
6	9708887	Motor, 120V, 5sp
7	W10279256	Coupling, Drive
8		Base
	9708937	Black
	9708890	White
	9709256	Red
	9709553	Gloss Cinnamon
	9709502	Metallic Chrome
	9709559	Blue Willow
	9709503	Tangerine
	9709504	Pink
	9709943	Buttercup
	W10131076	Storm Grey
	W10154275	Caviar
W10193662	Aqua Sky	
W10194540	Pear	
W10253204	Boysenberry	
W10153630	Almond Creme	
W10273974	Yellow Pepper	
9	W10001200	Screw
10		Foot, Rubber
	9708927	Grey
	9708913	White
11		Power Cord
	9708928	Black
	9708917	White
12	W10161493	Nameplate

FOR ORDERING INFORMATION REFER TO PARTS PRICE LIST

ATTACHMENT PARTS

FOR VARIATIONS OF MODEL: KSB560__0



Illus. No.	Part No.	DESCRIPTION
1		Lid Assembly (Includes Cap)
	9709363	Onyx Black
	9709361	Silver
	W10183714	Charcoal
2	9708904	Jar Assembly (Incl Blade Assy)

FOR ORDERING INFORMATION REFER TO PARTS PRICE LIST