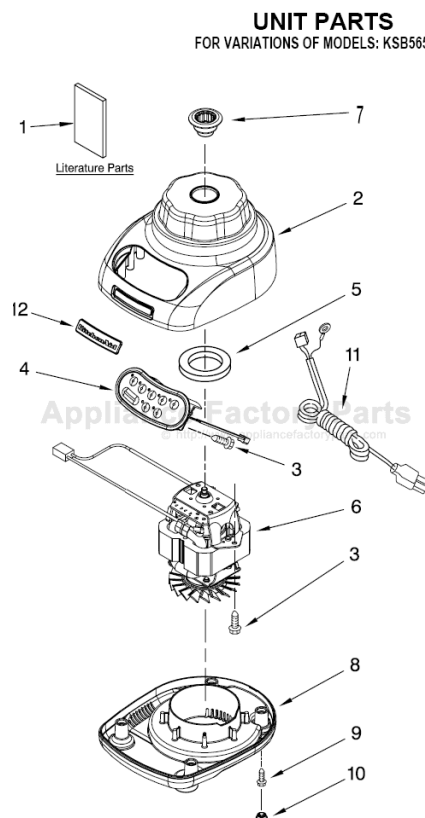


This Owner's Manual is provided and hosted by [Appliance Factory Parts](http://ApplianceFactoryParts.com).



KITCHENAID KSB565GC0 Owner's Manual

[Shop genuine replacement parts for KITCHENAID
KSB565GC0](#)



[Find Your KITCHENAID Mixer Parts - Select From 532 Models](#)

----- Manual continues below part list -----

Available Replacement Parts for KITCHENAID KSB565GC0

WPW10279256	COUPLING SA
WPW10221782	JAR SA
WPW10068250	SCREW DW

KitchenAid®

5

SPEED
VITESSE
VELOCIDAD

BLENDER

INSTRUCTIONS AND RECIPES

MÉLANGEUR

INSTRUCTIONS ET RECETTES

LICUADORA

INSTRUCCIONES Y RECETAS

KSB565 / KSB585



USA: 1-800-541-6390
Canada: 1-800-807-6777

KitchenAid.com
KitchenAid.ca



FOR THE WAY IT'S MADE.®

Proof of Purchase & Product Registration

Always keep a copy of the sales receipt showing the date of purchase of your Blender. Proof of purchase will assure you of in-warranty service.

Before you use your Blender, please fill out and mail your product registration card packed with the unit. This card will enable

us to contact you in the unlikely event of a product safety notification and assist us in complying with the provisions of the Consumer Product Safety Act. This card does not verify your warranty.

Please complete the following for your personal records:

Model Number _____

Serial Number _____

Date Purchased _____

Store Name and Location _____

Preuve d'achat et enregistrement du produit

Veillez conserver une copie du coupon de caisse indiquant la date d'achat de votre mélangeur. La preuve d'achat vous assure du service d'après-vente sous garantie.

Avant d'utiliser votre mélangeur, veuillez remplir et poster la carte d'enregistrement du produit accompagnant l'appareil. Grâce à cette carte, nous pourrons vous

appeler dans l'éventualité improbable d'un avis de sécurité et nous conformer plus facilement aux dispositions de la loi sur la sécurité des produits de consommation. Cette carte ne confirme pas votre garantie.

Veillez remplir ce qui suit pour vos dossiers personnels :

Numéro de modèle _____

Numéro de série _____

Date d'achat _____

Nom du marchand et adresse _____

Comprobante de compra y registro del producto

Siempre conserve una copia del recibo de ventas que especifique la fecha de compra de su licuadora. El comprobante de compra le asegurará el servicio técnico bajo garantía.

Antes de utilizar la licuadora, complete y envíe por correo su tarjeta de registro del producto que viene junto con la unidad. Esta tarjeta nos permitirá contactarnos

con usted en el improbable caso de una notificación de algún problema de seguridad con el producto y nos ayudará a cumplir con las cláusulas de la Consumer Product Safety Act (Ley sobre la seguridad de los productos para el consumidor). Esta tarjeta no asegura su garantía.

Complete lo siguiente para su registro personal:

Número del modelo _____

Número de serie _____

Fecha de compra _____

Nombre de la tienda y dirección _____

Table of Contents

INTRODUCTION

Proof of Purchase & Product Registration Card.....	Inside Front Cover
Blender Safety.....	3
Important Safeguards.....	4
Electrical Requirements.....	5

FEATURES AND OPERATION

Blender Features.....	6
Preparing the Blender for Use.....	8
Before First Use.....	8
Blender Assembly.....	8
Using the Blender.....	10
Before Use.....	10
Operating the Blender.....	10
CRUSH ICE.....	10
PULSE MODE.....	11
Ingredient Cup.....	11
Soft Start® Blending Feature.....	11
Speed Control Guide.....	12

CARE AND CLEANING

To Clean Individual Components.....	13
To Clean Without Disassembly.....	13
Troubleshooting.....	14

BLENDER TIPS

Quick Tips.....	15
How To.....	15

Continued on next page

Table of Contents

RECIPES

Blended Margarita	17
Sparkling Cran-Pineapple Drink	17
Strawberry-Banana Smoothie	17
Rum Mocha	18
Italian Tortellini Tomato Soup	18
Blueberry Pancakes and Sauce	19
Raspberry Vinaigrette Dressing	20
Chocolate Pot De Crème	20
Fresh Fruit Milk Shake	20

WARRANTY AND SERVICE INFORMATION

KitchenAid® Blender Warranty.....	21
Hassle-Free Replacement Warranty – 50 United States and District of Columbia	22
Hassle-Free Replacement Warranty – Canada	22
How to Arrange for Warranty Service in Puerto Rico	22
How to Arrange for Service after the Warranty Expires – All Locations	23
How to Arrange for Service Outside these Locations	23
How to Order Accessories and Replacement Parts.....	23

NOTE: DUE TO THE UNIQUE CONTAINER AND BLADE DESIGN, READ THESE INSTRUCTIONS BEFORE USING YOUR NEW KITCHENAID® BLENDER TO ACHIEVE MAXIMUM PERFORMANCE RESULTS.

Blender Safety

Your safety and the safety of others are very important.

We have provided many important safety messages in this manual and on your appliance. Always read and obey all safety messages.



This is the safety alert symbol.

This symbol alerts you to potential hazards that can kill or hurt you and others.

All safety messages will follow the safety alert symbol and either the word “DANGER” or “WARNING.” These words mean:

! DANGER

You can be killed or seriously injured if you don't immediately follow instructions.

! WARNING

You can be killed or seriously injured if you don't follow instructions.

All safety messages will tell you what the potential hazard is, tell you how to reduce the chance of injury, and tell you what can happen if the instructions are not followed.

IMPORTANT SAFEGUARDS

When using electrical appliances, basic safety precautions should always be followed to reduce the risk of fire, electric shock, and/or injury to persons including the following:

1. Read all instructions.
2. To protect against risk of electrical shock, do not put Blender in water or other liquid.
3. Close supervision is necessary when any appliance is used by or near children.
4. Unplug from outlet when not in use, before putting on or taking off parts, and before cleaning.
5. Avoid contact with moving parts.
6. Do not operate the Blender with a damaged cord or plug or after appliance malfunctions, or is dropped or damaged in any manner. Return appliance to the nearest Authorized Service Center for examination, repair or electrical or mechanical adjustment.
7. Do not use outdoors.
8. Do not let cord hang over edge of table or counter.
9. Keep hands and utensils out of container while blending to reduce the risk of severe injury to persons or damage to the Blender. A scraper may be used but must be used only when the Blender is not running.
10. Blade assembly is sharp. Handle carefully.
11. To reduce risk of injury, never put locking collar and blade assembly on the base without having the pitcher properly attached.
12. Always operate Blender with cover in place.
13. The use of attachments, including canning jars, not recommended by KitchenAid may cause a risk of injury to persons.
14. When blending hot liquids, remove center piece of two-piece cover.
15. Flashing light indicates ready to operate. Avoid any contact with blades or moveable parts.
16. Do not use appliance for other than intended use.

SAVE THESE INSTRUCTIONS
THIS PRODUCT IS DESIGNED FOR
HOUSEHOLD USE ONLY

Electrical Requirements

Volts: 120 Volts A.C. only.
Hertz: 60 Hz

NOTE: Your Blender has a 3-prong grounded plug. To reduce the risk of electrical shock, this plug will fit in an outlet only one way. If the plug does not fit in the outlet, contact a qualified electrician. Do not modify the plug in any way.

Do not use an extension cord. If the power supply cord is too short, have a qualified electrician or serviceman install an outlet near the appliance.

⚠ WARNING



Electrical Shock Hazard

Plug into a grounded 3 prong outlet.

Do not remove ground prong.

Do not use an adapter.

Do not use an extension cord.

Failure to follow these instructions can result in death, fire, or electrical shock.

Blender Features

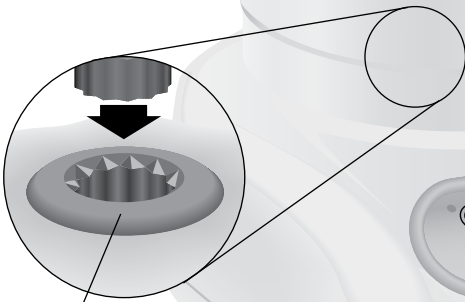
ENGLISH

Stay-Put Lid with
Clear, 2 oz. (60 ml)
Ingredient Cup

Easy Pour
48 oz. (1.5 L)
Glass Pitcher

Patented
Stainless
Steel Blade

Locking Collar
and Blade
Assembly

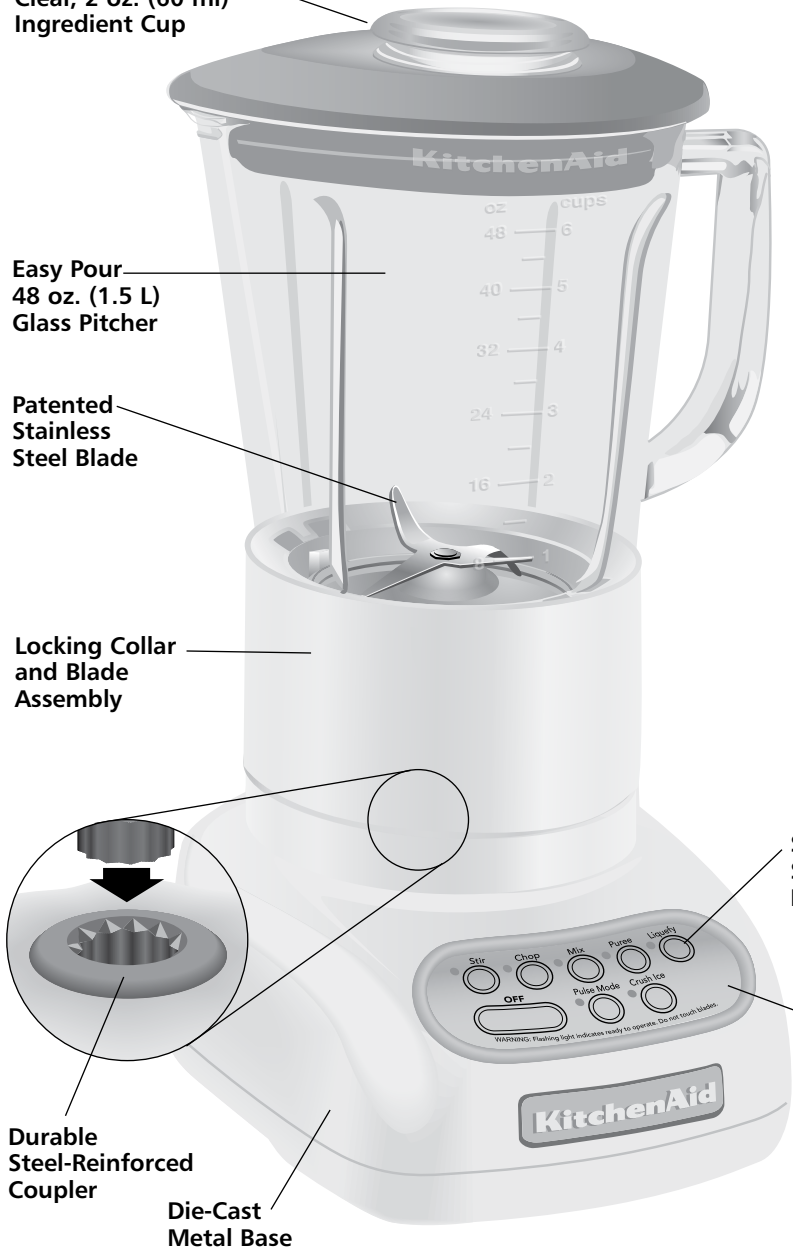


Durable
Steel-Reinforced
Coupler

Die-Cast
Metal Base

Speed
Selection
Buttons

Clean Touch™
Control Pad



Blender Features

This blender was built and tested to KitchenAid quality standards for optimum performance and long, trouble-free life.

Robust Motor

Rugged 0.9-horsepower motor supplies the power for superb performance with all blending tasks — from puréeing sauces to making chunky salsas, or uniformly crushing a pitcher of ice or frozen fruit within seconds for silky smoothies.

Easy Pour 48 oz. (1.5 L) Glass Pitcher

Glass Pitcher resists scratches, stains and odors. Pitcher is removable from locking collar for easy cleaning, and withstands a range of extreme temperatures. Easy pour spout provides smooth, drip-free pouring.

Stay-Put Lid with Clear 2 oz. (60 ml) Ingredient Cup

Provides a strong seal. The flexible lid will maintain its tight seal throughout the life of the Blender. The lid incorporates a removable 2 oz. (60 ml) cup for convenience in measuring and adding ingredients.

Patented Stainless Steel Blade

Sharp over-sized tines are positioned on four different planes for fast, thorough and consistent blending.

Locking Collar and Blade Assembly

Durable, one-piece blade design is built into the locking collar for easy handling and cleaning. Dishwasher-safe assembly keeps the blades from rotating until the pitcher is properly attached to the collar and put on the Blender base.

Durable Steel-Reinforced Coupler

Commercial-quality coupler with 12 interlocking teeth provide direct transfer of motor power to the blades. Pitcher coupler is coated for quiet operation.

Speed Selection Buttons

Create frozen drinks and purée sauces or soups in seconds. Blend with confidence, control and consistency at all speed settings: STIR, CHOP, MIX, PUREE and LIQUEFY. The PULSE MODE works with all five speeds. The CRUSH ICE feature is designed specifically for crushing ice and will automatically pulse at staggered intervals for optimal results.

Intelli-Speed® Motor Control

Exclusive Intelli-Speed® control automatically works to keep speed constant – even through density changes when ingredients are added. This advanced KitchenAid design maintains an optimal blending speed for each culinary task and control-pad setting.

Soft Start® Blending Feature

The Blender starts at a slower speed to pull ingredients into the blade then quickly increases to selected speed setting. This design feature reduces start-up kick and allows hands-free operation.

Die-Cast Metal Base

Heavy, die-cast metal base ensures stable, quiet operation when blending a full pitcher of ingredients. Four rubber feet on wide, solid base provide a no-slip, non-marring grip. Smooth and rounded, the base is easy-to-clean and features cord storage underneath.

Clean Touch™ Control Pad

Wipes clean in an instant. Smooth control pad has no crevices or cracks to trap ingredients.

Preparing the Blender for Use

Before First Use

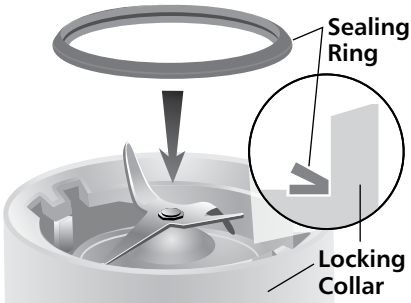
Before using your Blender for the first time, wipe Blender base with a warm sudsy cloth, then wipe clean with a damp cloth. Dry with a soft cloth. Wash pitcher, lid, locking collar and blade assembly, sealing ring and ingredient cup in warm, sudsy water (see Care and Cleaning). Rinse parts and wipe dry.

Blender Assembly

1. Put locking collar with blade assembly pointing up on a sturdy surface.

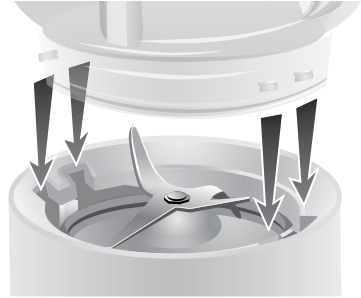


2. Put sealing ring, flat side down, around the blades and into the groove within the locking collar.



NOTE: For easier jar and collar assembly, you can dip the gasket in water before placing it into the collar. A damp gasket makes it easier to attach the glass jar to the collar.

3. Align the pitcher tabs with the slots of the locking collar.



4. Press down and rotate pitcher clockwise, approximately $\frac{1}{4}$ turn until two clicks are heard.



5. Adjust the length of the Blender power cord.



Preparing the Blender for Use

- Put pitcher assembly onto the Blender base.



NOTE: When properly positioned, pitcher assembly will rest completely on Blender base. If not, repeat steps 3 and 4.



- Put lid on pitcher.

⚠ WARNING



Electrical Shock Hazard

Plug into a grounded 3 prong outlet.

Do not remove ground prong.

Do not use an adapter.

Do not use an extension cord.

Failure to follow these instructions can result in death, fire, or electrical shock.

- Plug power cord into a grounded 3-prong outlet. Blender is now ready for operation.
- Before removing the pitcher from the base, always press OFF and unplug the power cord.

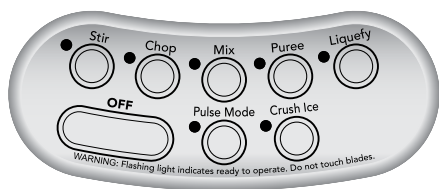
Using the Blender

Before Use

- NOTE:** While the Blender is on or the PULSE MODE indicator light is blinking:
- Do not interfere with blade movement
 - Do not remove pitcher lid

Operating the Blender

The KitchenAid® Blender has five speeds: STIR, CHOP, MIX, PURÉE and LIQUEFY. In addition, it also features CRUSH ICE and PULSE MODE.



1. With convenient one-step operation, this unit will operate only when a speed selection button is pressed.
2. Before operating the Blender, make sure the pitcher is properly secured in the locking collar and assembly is positioned on the Blender base.



NOTE: If a gap exists between the locking collar and the base, the pitcher might not be locked into the locking collar or the assembly is not positioned properly on the Blender base. See Blender Assembly for further instructions.

3. Put ingredients into the pitcher and firmly attach lid.

4. Press the desired speed button for continuous operation at that speed. The red indicator light above the selected speed will stay lit. You may change settings without stopping the unit by pressing a new speed button.

IMPORTANT: If blending hot foods or liquids, remove the center ingredient cup. Operate only on STIR speed.

5. To turn off the Blender, press OFF. The Off button will stop any speed and deactivate the Blender at the same time.
6. Before removing the pitcher assembly, unplug the power cord.

CRUSH ICE

Your KitchenAid® Blender offers a CRUSH ICE feature. When selected, the Blender will automatically pulse at staggered intervals at the optimal speed for crushing ice or other ingredients.

1. Before operating the Blender, make sure the pitcher assembly is properly positioned on the Blender base.

NOTE: If a gap exists between the locking collar and the base, the pitcher might not be locked into the locking collar or the collar is not positioned properly on the Blender base. See Blender Assembly for further instructions.

2. Put ingredients into the pitcher and firmly attach lid.
3. Press CRUSH ICE. The indicator light will stay lit. The Blender will automatically pulse at staggered intervals.



Using the Blender

4. To turn off the CRUSH ICE feature press OFF. The Blender is now ready for continuous operation.
5. Before removing the pitcher assembly, unplug the power cord.

PULSE MODE

Your KitchenAid® Blender offers PULSE MODE, which allows a “Pulse-at-any Speed” feature.

NOTE: PULSE MODE will not work with the CRUSH ICE feature.

1. Before operating the Blender, make sure the pitcher assembly is properly positioned on the Blender base.

NOTE: If a gap exists between the locking collar and the base, the pitcher might not be locked into the locking collar or the collar is not positioned properly on the Blender base. See Blender Assembly for further instructions.

2. Put ingredients into pitcher, and firmly attach lid.
3. Press PULSE MODE. The indicator light on the button will blink to indicate that all five speeds are in the PULSE MODE.



4. Select a speed button. Press and hold for the desired length of time. Both the speed button and PULSE MODE indicators will stay lit when pulsing at the selected speed. When button is released, the blending will stop, but the Blender will remain in PULSE MODE and the PULSE MODE indicator will return to blinking. To pulse again or at another speed, simply press and hold the button of the desired speed.



5. To turn off the PULSE MODE feature, press OFF. The Blender is now ready for continuous operation.
6. Before removing the pitcher assembly, unplug the power cord.

Ingredient Cup

The 2 oz. (60 ml) ingredient cup can be used to measure and add ingredients to the pitcher. Remove cup and add ingredients at STIR, CHOP or MIX speeds. When operating at higher speeds, with a full pitcher or with hot contents, stop the Blender and then add ingredients.



Soft Start® Blending Feature

The Soft Start® blending feature automatically starts the Blender at a slower speed to pull ingredients into the blade then quickly increases to selected speed setting for optimal performance.

NOTE: The Soft Start® blending feature only works when a speed is selected from the OFF mode and does not work with the PULSE MODE or CRUSH ICE features.

Speed Control Guide

Item	Speed	Item	Speed
Blended ice drink	Liquefy	Ice milk-based drink	Liquefy
Cheesecake	Liquefy	Meat salad for sandwich filling	Pulse on Chop
Chopped fruits	Pulse on Stir	Mousse	Liquefy
Chopped vegetables	Pulse on Stir	Oatmeal	Puree
Cream cheese-based spread	Stir	Pancake batter	Mix
Cream soup	Stir	Pesto	Chop
Crushed/chopped Ice	Crush Ice	Pureed fruit/Baby food	Puree
Dip	Stir	Pureed meat/Baby food meat	Puree
Finely chopped fresh fruits	Crush Ice	Pureed vegetables/ Baby food vegetables	Puree
Finely chopped fresh vegetables	Liquefy	Vegetable-based main dish sauce	Stir
Frozen chopped fruit (defrost slightly until it can be probed with a knife tip)	Crush Ice	Salad dressing	Mix
Frozen yogurt-based drink	Liquefy	Savory crumb topping	Pulse on Chop
Fruit juice from frozen concentrate	Mix	Sherbet-based drink	Liquefy
Fruit-based drink (Thick)	Stir	Smooth ricotta or cottage cheese	Mix
Fruit-based drink (Thin)	Liquefy	Streusel topping	Chop
Fruit-based sauce	Stir	Sweet crumb topping	Pulse on Chop
Grated hard cheese	Liquefy	Sweet crunch topping	Pulse on Chop
Gravy	Mix	Waffle batter	Mix
		White sauce	Stir

Tip - Process up to one standard ice cube tray or 12 to 14 standard ice cubes at a time. Occasional stirring with a spatula will be helpful only when Blender is off. The CRUSH ICE feature has been optimized to crush and chop ice without adding any liquid ingredients.

Care and Cleaning

The Blender pitcher, locking collar and blade assembly can be easily cleaned as individual components or together without disassembly.

- Clean the Blender thoroughly after every use
- Do not immerse the Blender base or cord in water
- Do not use abrasive cleansers or scouring pads

To Clean Individual Components

1. Lift the pitcher assembly in a straight, upwards motion off the Blender base. Then, while holding locking collar, rotate pitcher counterclockwise, two clicks, to separate locking collar and blade assembly, and sealing ring from the pitcher. Wash components with soapy water. Rinse and wipe dry.

NOTE: Pitcher can be placed in the bottom rack of an automatic dishwasher. The lid, ingredient cup, locking collar and blade assembly, and sealing ring can be put in the top rack. For best results, hand washing is recommended.



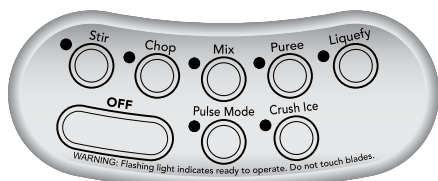
2. Wipe the Blender base and cord with a warm, sudsy cloth; wipe clean with a damp cloth, and dry with a soft cloth.

To Clean Without Disassembly

1. Put the pitcher on the Blender base, fill half full with warm (not hot) water, and add 1 or 2 drops of dishwashing liquid. Put the lid on the pitcher, press the STIR speed setting, and run the Blender for 5 to 10 seconds. Remove the pitcher and empty contents. Rinse with warm water until clean.
2. To clean the lid and ingredient cup, wash in warm soapy water, then rinse and dry thoroughly.
3. Wipe the Blender base and cord with a warm, sudsy cloth; wipe clean with a damp cloth, and dry with a soft cloth.

Troubleshooting

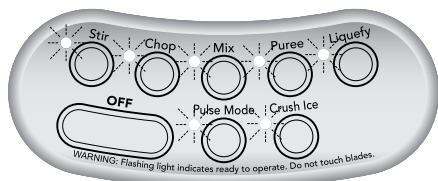
The Blender does not operate when a setting is selected:



No indicator lights are lit.

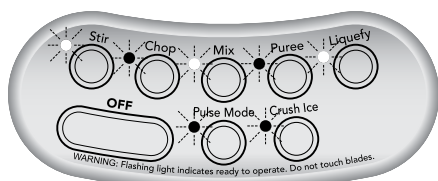
Check to see if the Blender is plugged into a grounded 3-prong outlet. If it is, press OFF, then unplug the Blender. Plug it back into the same outlet. If the Blender still does not work, check the fuse or circuit breaker on the electrical circuit the Blender is connected to and make sure the circuit is closed.

The Blender stops while blending:



All indicator lights are flashing at the same time.

The Blender may be overloaded. If the Blender becomes overloaded when blending heavy ingredients, it will automatically shut off to avoid damage to the motor. Press OFF to reset the Blender and unplug the power cord. Remove the pitcher assembly from the base and divide contents into smaller batches. Adding liquid to the ingredients may also reduce the load on the Blender.



Indicator lights are flashing alternately.

The Blender may be jammed. If it's jammed, the Blender will stop running to avoid damage to the motor. Press OFF to reset the Blender and unplug the power cord. Remove the pitcher assembly from the base and with a scraper, free the blades by breaking-up or removing the contents at the bottom of the pitcher.

The Blender turns on, but blades will not rotate:



The pitcher is not properly secured in the locking collar, not allowing couplers to engage. Remove pitcher from base and fully seat into collar. Press down and rotate pitcher clockwise in the locking collar past the second "click." This will allow the pitcher assembly to engage the coupler. See Blender Assembly.

If the problem cannot be fixed with the steps provided in this section, contact KitchenAid or an Authorized KitchenAid Service Center.

USA/Puerto Rico:

1-800-541-6390

Canada:

1-800-807-6777

Mexico:

01-800-024-17-17 (JV Distribuciones)

01-800-902-31-00 (Industrias Birtman)

See the KitchenAid Warranty and Service section additional details.

Do not return the Blender to the retailer – they do not provide service.

Blender Tips

Quick Tips

- In order to produce a smoother texture, blend with CRUSH ICE if you're making beverages using ice.
- Smaller ice cubes can be chopped or crushed faster than large ones.
- Add food to this Blender pitcher in larger quantities than you would with other blenders – you can add 2 to 3 cups (475 to 710 ml) at a time versus 1 cup (235 ml) portions.
- For many ingredient mixtures, start the blending process at STIR to thoroughly combine the ingredients. Then increase to a higher speed, if necessary.
- Be sure to keep lid on pitcher while blending.
- If desired, remove center ingredient cup of the pitcher lid to add liquids or ice cubes while the Blender is operating on STIR, CHOP or MIX speeds.
- When operating at higher speeds with a full pitcher or with hot contents, stop the Blender and then add ingredients.
- Stop the Blender before using utensils in the pitcher. Use a rubber spatula to mix ingredients only when the Blender is OFF. To avoid damaging the utensil or blender blades, do not use any utensil, including spatulas, in the pitcher while the motor is running.
- Cool hot foods, if possible, before blending. Begin blending warm foods on STIR. Increase to higher speed, if necessary.
- Remove center ingredient cup when blending hot liquids and operate only on STIR. Do not place bare hand on lid when processing hot liquids.
- Stop and check the consistency of foods after a few seconds to avoid over-processing.

How To ...

Reconstitute frozen juice: For a 6 oz. (175 ml) can of orange juice concentrate, combine the juice and correct amount of water in the pitcher. Cover and blend at MIX until thoroughly combined, about 10 to 15 seconds.

For a 12 oz. (355 ml) can, combine the juice and 1 can of water in the pitcher. Cover and blend on MIX until thoroughly combined, about 20 to 30 seconds. Stir in remaining 2 cans of water.

Dissolve flavored gelatin: Pour boiling water into the pitcher; add gelatin. Remove center ingredient cup and blend on STIR until gelatin is dissolved, about 10 to 30 seconds. Add other ingredients.

Make cookie and graham cracker crumbs: Break larger cookies into pieces about 1½ inches (3.75 cm) in diameter. Use smaller cookies as-is. Place in pitcher. In PULSE MODE, cover and blend on CHOP, pulsing a few times, about 3 seconds each time, until desired consistency is reached. Use the crumbs to make a quick topping for frozen yogurt, pudding, or a fruit compote.

To make finer crumbs for pie and dessert crusts, break graham crackers or cookies into pieces about 1½ inches (3.75 cm) in diameter and place in the pitcher. In PULSE MODE, cover and blend on LIQUEFY, pulsing a few times until desired consistency is reached, about 20 to 30 seconds.

Make cracker crumbs: Follow procedure for cookies. Use as a topping or as an ingredient in main dish casseroles and vegetable dishes.

Make bread crumbs: Tear bread into pieces about 1½ inches (3.75 cm) in diameter. Follow procedure for cookies. Use as a topping or as an ingredient in main dish casseroles and vegetable dishes.

Blender Tips

Chop fruits and vegetables: Put 2 cups (475 ml) of fruit or vegetable chunks in pitcher. In PULSE MODE, cover and blend on STIR, pulsing a few times, about 2 to 3 seconds each time, until desired consistency is reached.

Puree fruits: Place 2 cups (475 ml) canned or cooked fruit in pitcher. Add 2 to 4 tablespoons (30 to 60 ml) fruit juice or water per cup (235 ml) of fruit. Cover and blend on PUREE about 5 to 10 seconds.

Puree vegetables: Place 2 cups (475 ml) canned or cooked vegetables in pitcher. Add 2 to 4 tablespoons (30 to 60 ml) broth, water, or milk per cup (235 ml) of vegetables. Cover and blend on PUREE about 10 to 20 seconds.

Puree meats: Place cooked, cubed, tender meat in pitcher. Add 3 to 4 tablespoons (45 to 60 ml) broth, water, or milk per cup (235 ml) of meat. Cover and blend on STIR 10 seconds. Stop the Blender and scrape sides of pitcher. Cover and blend on PUREE 10 to 20 seconds longer.

Puree cottage cheese or ricotta

cheese: Place cottage cheese or ricotta cheese in pitcher. Cover and blend on MIX until smooth, about 25 to 35 seconds. Stop the Blender and scrape sides as needed. If necessary, add 1 tablespoon (15 ml) of skim milk per cup (235 ml) of cottage cheese. Use as a base for low-fat dips and spreads.

Combine liquid ingredients for baked

goods: Pour liquid ingredients in pitcher. Cover and blend on LIQUEFY until well mixed, about 10 to 15 seconds. Pour liquid mixture over dry ingredients and stir well.

Take lumps out of gravy: If sauce or gravy becomes lumpy, place in the pitcher. Cover and blend on MIX until smooth, about 5 to 10 seconds.

Combine flour and liquid for thickening: Place flour and liquid in pitcher. Cover and blend on STIR until smooth, about 5 to 10 seconds.

Prepare white sauce: Place milk, flour, and salt, if desired, in pitcher. Cover, and blend on STIR until well mixed, about 5 to 10 seconds. Pour into saucepan and cook as usual.

Prepare pancake or waffle batter

from mix: Place mix and other ingredients in pitcher. Cover and blend on MIX until well-mixed, 10 to 20 seconds. Stop the Blender and scrape sides of the pitcher as needed.

Grate cheese: Cut very cold cheese into ½ to 1 inch (1.25 to 1.5 cm) cubes. Place up to ½ cup (120 ml) cheese in the pitcher. Cover and blend on LIQUEFY about 5 to 10 seconds. For hard cheeses, such as Parmesan, bring to room temperature, then blend on LIQUEFY for 10 to 15 seconds.

Make oatmeal for a baby: Place uncooked rolled oats in pitcher. In PULSE MODE, blend on MIX until desired consistency, about 5 pulses, 2 to 3 seconds each pulse. Cook as usual.

Make baby food from adult food:

Place prepared adult food in pitcher. Cover and blend on STIR about 10 seconds. Then blend on PUREE about 10 to 30 seconds.

Rinse your Blender jar: Fill pitcher half full with warm water. Add a few drops of dishwashing liquid. Cover and blend on STIR until sides are clean, about 5 to 10 seconds. Rinse and dry. For complete cleaning, pitcher, lid, ingredient cup, and locking collar and blade assembly and sealing ring can also be cleaned in an automatic dishwasher. Refer to Care and Cleaning.

Blended Margarita

- ¾ cup (175 ml) tequila*
- ½ cup (120 ml) orange-flavored liqueur*
- ½ cup (120 ml) fresh lime juice*
- ¼ cup (60 ml) simple syrup or 3 tablespoons (45 ml) sugar*
- 4 cups (945 ml) ice cubes*

Place ingredients in pitcher. Cover and blend at CRUSH ICE, 15 to 20 pulses, or until slushy.

Yield: 6 servings (¾ cup [175 ml] per serving).

Per Serving: About 118 cal, 0 g pro, 16 g carb, 0 g total fat, 0 g sat fat, 0 mg chol, 6 mg sod.

Simple Syrup

In small saucepan, combine sugar and water. Boil until sugar dissolves, 2 to 4 minutes. Cool; cover and refrigerate.

Yield: About 1¼ cups (295 ml).

Simple Syrup

- 1 cup (235 ml) sugar*
- 1 cup (235 ml) water*

Sparkling Cran-Pineapple Drink

- 1 can (12 oz. [355 ml]) frozen cranberry juice cocktail concentrate*
- 1 can (8 oz. [235 ml]) crushed pineapple, packed in juice and undrained*
- 2 cups (475 ml) lemon-lime flavored carbonated beverage, chilled*

Place cranberry concentrate and pineapple in pitcher. Cover and blend at LIQUEFY about 10 seconds, or until smooth. Add carbonated beverage. Cover and blend at STIR just until mixed, 2 to 4 seconds.

Yield: 5 servings (about 1 cup [235 ml] per serving).

Per Serving: About 171 cal, 0 g pro, 44 g carb, 0 g total fat, 0 g sat fat, 0 mg chol, 10 mg sod.

Strawberry-Banana Smoothie

- 1½ cups (355 ml) buttermilk*
- 1 cup (235 ml) frozen unsweetened strawberries*
- 1 cup (235 ml) milk*
- 3 medium bananas, broken into quarters*
- 3 tablespoons (45 ml) orange marmalade*

Place ingredients in pitcher. Cover and blend at LIQUEFY 15 to 20 seconds, or until smooth.

Yield: 5 servings (1 cup [235 ml] per serving).

Per Serving: About 170 cal, 6 g pro, 34 g carb, 2.5 g total fat, 1.5 g sat fat, 10 mg chol, 90 mg sod.

Rum Mocha

- 2 cups (475 ml) chocolate ice cream
- $\frac{1}{2}$ cup (120 ml) double-strength coffee, cold
- $\frac{1}{2}$ cup (120 ml) dark rum
- 4 ice cubes

Place ingredients in pitcher. Cover and blend at CRUSH ICE, 12 to 15 pulses, or until smooth.

Yield: 4 servings ($\frac{3}{4}$ cup [175 ml] per serving).

Per Serving: About 210 cal, 3 g pro, 19 g carb, 7 g total fat, 4.5 g sat fat, 20 mg chol, 50 mg sod.

Italian Tortellini Tomato Soup

- 2 tablespoons (30 ml) olive oil
- $\frac{1}{2}$ cup (120 ml) chopped onion
- $\frac{1}{2}$ cup (120 ml) chopped green pepper
- 2 cans (14.5 oz. [429 ml] each) Italian-seasoned diced tomatoes, undrained
- 1 tablespoon (15 ml) sugar
- $\frac{1}{2}$ teaspoon (2 ml) salt
- $\frac{1}{4}$ teaspoon (1 ml) fennel seed
- $\frac{1}{8}$ teaspoon (0.5 ml) cayenne pepper
- 1 can (14 oz. [415 ml]) beef broth
- 1 package (9 oz. [265 ml]) refrigerated cheese-filled tortellini
- Shredded mozzarella cheese, if desired
- Chopped fresh parsley, if desired

In large saucepan over medium-high heat, heat olive oil. Add onion and green pepper; cook 3 to 5 minutes, or until limp. Add tomatoes, sugar, salt, fennel seed, and cayenne pepper. Reduce heat to low; simmer, uncovered, 15 to 20 minutes, or until thickened, stirring occasionally. Cool 5 minutes.

Pour half of cooled tomato mixture into pitcher. Cover and blend at STIR about 15 seconds. Add remaining tomato mixture. Cover and blend at STIR about 15 seconds. Blend at LIQUEFY about 10 seconds, or until smooth.

Return mixture to saucepan. Add broth. Bring to a boil. Add tortellini. Reduce heat to low; simmer, uncovered, 8 to 10 minutes, or until tortellini is tender, stirring occasionally.

Serve hot, sprinkled with mozzarella cheese and chopped parsley, if desired.

Yield: 6 (1 cup [235 ml]) servings.

Per Serving: About 250 cal, 8 g pro, 35 g carb, 8 g total fat, 2.5 g sat fat, 20 mg chol, 1,100 mg sod.

Blueberry Pancakes and Sauce

Sauce

- 1/4 cup (60 ml) sugar*
- 2 teaspoons (10 ml) cornstarch*
- 2/3 cup (160 ml) water*
- 1/2 teaspoon (2 ml) grated lemon peel*
- 2 cups (475 ml) fresh or frozen blueberries (do not thaw)*

Place sauce ingredients in saucepan. Cook over medium heat until mixture thickens, stirring constantly. Cool 5 minutes. Pour mixture into pitcher. Cover and blend at STIR about 5 seconds; scrape sides of pitcher if necessary. Blend at MIX about 10 seconds, or until smooth. Pour into serving container. Rinse pitcher.

Place eggs in pitcher. Cover and blend at STIR about 5 seconds. Add buttermilk, oil, and lemon peel. Blend at MIX about 5 seconds. Add flour, sugar, baking powder, baking soda, salt, and nutmeg. Using PULSE feature, blend at MIX, pulsing 5 times, 2 to 3 seconds each time, or just until dry ingredients are moistened. By hand, gently stir in blueberries.

Pancakes

- 2 eggs*
- 2 cups (475 ml) buttermilk*
- 2 tablespoons (30 ml) vegetable oil*
- 1/2 teaspoon (2 ml) grated lemon peel*
- 2 1/4 cups (535 ml) all-purpose flour*
- 2 tablespoons (30 ml) sugar*
- 1 teaspoon (5 ml) baking powder*
- 1 teaspoon (5 ml) baking soda*
- 1/2 teaspoon (2 ml) salt*
- 1/4 teaspoon (1 ml) nutmeg*
- 1 cup (235 ml) fresh or frozen blueberries (do not thaw)*

Heat nonstick griddle to medium-high, greasing griddle if it is not nonstick. Pour scant 1/4 cup (60 ml) batter for each pancake onto griddle, stirring batter occasionally to distribute blueberries. Cook until bubbles form on surface and edges become dry, 1 to 2 minutes. Turn; cook until golden brown on underside, 1 to 2 minutes. Serve with warm blueberry sauce.

Yield: About 8 servings (2, 4-inch [10 cm] pancakes and 1/4 cup [60 ml] sauce per serving).

Per Serving: About 280 cal, 8 g pro, 48 g carb, 6 g total fat, 1 g sat fat, 55 mg chol, 280 mg sod.

Raspberry Vinaigrette Dressing

- 1 cup (235 ml) fresh or frozen raspberries, thawed
- 2 tablespoons (30 ml) sugar
- 3 tablespoons (45 ml) raspberry vinegar
- 2 tablespoons (30 ml) vegetable oil

Place ingredients in pitcher. Cover and blend at STIR about 15 seconds; scrape sides of pitcher if necessary. Blend at LIQUEFY 10 to 15 seconds, or until smooth. Serve over tossed green salads or fruit salads. Store in refrigerator.

Yield: 6 servings (2 tablespoons [10 ml] per serving).

Per Serving: About 70 cal, 0 g pro, 7 g carb, 4.5 g total fat, 0 g sat fat, 0 mg chol, 0 mg sod.

Chocolate Pot De Crème

- 1 cup (235 ml) semisweet chocolate chips
- 1/4 cup (60 ml) egg substitute or 1 pasteurized egg, beaten
- 1/2 teaspoon (2 ml) vanilla
- 3/4 cup (175 ml) half-and-half
Sweetened whipped cream or whipped topping, if desired

Place chocolate chips, egg substitute, and vanilla in pitcher. Heat half-and-half until bubbles form around edge. Pour over chocolate chips. Cover and blend at LIQUEFY 20 to 25 seconds, or until chocolate chips are melted and mixture is smooth; scrape sides of pitcher if necessary.

Pour into small cups. Refrigerate until set, 4 to 6 hours. Serve with whipped cream, if desired.

Yield: 4 servings (1/2 cup [120 ml] per serving).

Per Serving: About 350 cal, 7 g pro, 38 g carb, 22 g total fat, 13 g sat fat, 15 mg chol, 45 mg sod.

Fresh Fruit Milk Shake

- 2 cups (475 ml) milk
- 1 1/2 cups (355 ml) vanilla ice cream
- 3 cups (710 ml) fresh sliced peaches, strawberries or other favorite fruit*
- 2 tablespoons (30 ml) powdered sugar, if desired

Place ingredients in pitcher. Cover and blend at LIQUEFY 10 to 15 seconds, or until smooth.

Yield: 5 servings (about 1 cup [235 ml] per serving).

*Three cups (710 ml) frozen, slightly thawed favorite fruit may be used instead.

Per Serving: About 170 cal, 6 g pro, 24 g carb, 7 g total fat, 4 g sat fat, 25 mg chol, 70 mg sod.

KitchenAid® Blender Warranty

Length of Warranty:	KitchenAid Will Pay For:	KitchenAid Will Not Pay For:
<p>50 United States, the District of Columbia, Canada, and Puerto Rico: One-year limited warranty from date of purchase.</p>	<p>50 United States, the District of Columbia and Canada: Hassle-free replacement of your Blender. See the following page for details on how to arrange for replacement. OR In Puerto Rico: The replacement parts and repair labor costs to correct defects in materials and workmanship. Service must be provided by an Authorized KitchenAid Service Center. To arrange for service, see instructions on the following page.</p>	<p>A. Repairs when Blender is used in other than normal single family home use. B. Damage resulting from accident, alteration, misuse or abuse or use with products not approved by KitchenAid. C. Replacement parts or repair labor costs for Blender when operated outside the country of purchase.</p>

DISCLAIMER OF IMPLIED WARRANTIES; LIMITATION OF REMEDIES IMPLIED WARRANTIES, INCLUDING TO THE EXTENT APPLICABLE WARRANTIES OF MERCHANTABILITY OR FITNESS FOR A PARTICULAR PURPOSE, ARE EXCLUDED TO THE EXTENT LEGALLY PERMISSIBLE. ANY IMPLIED WARRANTIES THAT MAY BE IMPOSED BY LAW ARE LIMITED TO ONE YEAR, OR THE SHORTEST PERIOD ALLOWED BY LAW. SOME STATES AND PROVINCES DO NOT ALLOW LIMITATIONS OR EXCLUSIONS ON HOW LONG AN IMPLIED WARRANTY OF MERCHANTABILITY OR FITNESS LASTS, SO THE ABOVE LIMITATIONS OR EXCLUSIONS MAY NOT APPLY TO YOU.

IF THIS PRODUCT FAILS TO WORK AS WARRANTED, CUSTOMER'S SOLE AND EXCLUSIVE REMEDY SHALL BE REPAIR OR REPLACEMENT ACCORDING TO THE TERMS OF THIS LIMITED WARRANTY. KITCHENAID AND KITCHENAID CANADA DO NOT ASSUME ANY RESPONSIBILITY FOR INCIDENTAL OR CONSEQUENTIAL DAMAGES. This warranty gives you specific legal rights and you may also have other rights which vary from state to state or province to province.

Hassle-Free Replacement Warranty – 50 United States and District of Columbia

We're so confident the quality of our products meets the exacting standards of KitchenAid that, if your Blender should fail within the first year of ownership, KitchenAid will arrange to deliver an identical or comparable replacement to your door free of charge and arrange to have your original Blender returned to us. Your replacement unit will also be covered by our one year limited warranty. Please follow these instructions to receive this quality service.

If your KitchenAid® Blender should fail within the first year of ownership, simply call our toll-free Customer Satisfaction Center at 1-800-541-6390 Monday through Friday, 8 a.m. to 8 p.m. (Eastern Time), or Saturday, 10 a.m. to 5 p.m. Give the consultant your complete shipping address. (No P.O. Box numbers, please.)

When you receive your replacement Blender, use the carton and packing materials to pack up your original Blender. In the carton, include your name and address on a sheet of paper along with a copy of the proof of purchase (register receipt, credit card slip, etc.).

Hassle-Free Replacement Warranty – Canada

We're so confident the quality of our products meets the exacting standards of the KitchenAid® brand that, if your Blender should fail within the first year of ownership, KitchenAid Canada will replace your Blender with an identical or comparable replacement. Your replacement unit will also be covered by our one year limited warranty. Please follow these instructions to receive this quality service.

If your KitchenAid® Blender should fail within the first year of ownership, take the Blender or ship collect to an Authorized KitchenAid Service Centre. In the carton include your name and complete shipping address along with a copy of the proof of purchase (register receipt, credit card slip, etc.). Your replacement Blender will be returned prepaid and insured. If you are unable to obtain satisfactory service in this manner call our toll-free Customer eXperience Centre at 1-800-807-6777. Or write to us at:

Customer eXperience Centre
KitchenAid Canada
Mississauga, ON
L5N 0B7

How to Arrange for Warranty Service in Puerto Rico

Your KitchenAid® Blender is covered by a one-year limited warranty from the date of purchase. KitchenAid will pay for replacement parts and labor costs to correct defects in materials and workmanship. Service must be provided by an Authorized KitchenAid Service Center.

Take the Blender or ship prepaid and insured to an Authorized KitchenAid Service Center. Your repaired Blender will be returned prepaid and insured. If you are unable to obtain satisfactory service in this manner, call toll-free 1-800-541-6390 to learn the location of a Service Center near you.

How to Arrange for Service after the Warranty Expires – All Locations

Before calling for service, please review the Troubleshooting section.

For service information in the 50 United States, District of Columbia, and Puerto Rico,
call toll-free 1-800-541-6390.

Or write to:
Customer Satisfaction Center
KitchenAid Portable Appliances
P.O. Box 218
St. Joseph, MI 49085-0218

Or contact an Authorized Service Center near you.

For service information in Canada,
call toll-free 1-800-807-6777.

Or write to:
Customer eXperience Centre
KitchenAid Canada
Mississauga, ON
L5N 0B7

How to Arrange for Service Outside these Locations

Consult your local KitchenAid dealer or the store where you purchased the Blender for information on how to obtain service.

For service information in Mexico,
call toll-free
01-800-024-17-17 (JV Distribuciones)

Or
01-800-902-31-00 (Industrias Birtman)

How to Order Accessories and Replacement Parts

To order accessories or replacement parts for your Blender in the 50 United States, District of Columbia, and Puerto Rico,

call toll-free 1-800-541-6390 Monday through Friday, 8 a.m. to 8 p.m. (Eastern Time), or Saturday, 10 a.m. to 5 p.m.

Or write to:
Customer Satisfaction Center,
KitchenAid Portable Appliances,
P.O. Box 218,
St. Joseph, MI 49085-0218

To order accessories or replacement parts for your Blender in Canada,
call toll-free 1-800-807-6777.

Or write to:
Customer eXperience Centre
KitchenAid Canada
Mississauga, ON
L5N 0B7

To order accessories or replacement parts for your Blender in Mexico,
call toll-free

01-800-024-17-17 (JV Distribuciones)
Or
01-800-902-31-00 (Industrias Birtman)

Table des matières

INTRODUCTION

Preuve d'achat et enregistrement du produit	Deuxième de couverture
Sécurité du mélangeur	26
Consignes de sécurité importantes	27
Alimentation électrique	28

CARACTÉRISTIQUES ET FONCTIONNEMENT

Caractéristiques du mélangeur	29
Avant de se servir du mélangeur	31
Avant la première utilisation	31
Assemblage du mélangeur	31
Utilisation du mélangeur	33
Avant d'utiliser le mélangeur	33
Mode d'emploi du mélangeur	33
CRUSH ICE (BROYAGE DE GLAÇONS)	33
PULSE MODE (MODE D'IMPULSION)	34
Tasse d'ingrédients	34
Fonction de mélange Soft Start®	34
Guide de touches de vitesse	35

ENTRETIEN ET NETTOYAGE

Nettoyage des composants individuels	36
Pour nettoyer sans démonter	36
Dépannage	37

CONSEILS SUR LE MÉLANGEUR

Conseils rapides	38
Comment	38

Table des matières

RECETTES

Margarita	40
Boisson pétillante aux ananas et aux canneberges	40
Boisson fouettée aux fraises et aux bananes.....	41
Moka au rhum	41
Tortellini italien à la soupe aux tomates	42
Crêpes aux bleuets et sauce	43
Vinaigrette aux framboises	44
Pots de crème au chocolat	44
Lait frappé aux fruits	44

GARANTIE ET INFORMATION SUR LE SERVICE APRÈS-VENTE

Garantie du mélangeur KitchenAid®.....	45
Garantie de satisfaction totale et de remplacement - 50 États des États–Unis, et District de Columbia	46
Garantie de satisfaction totale et de remplacement - Canada.....	46
Comment obtenir une réparation sous garantie à Puerto Rico.....	46
Comment obtenir une réparation hors garantie - Tous les territoires	47
Comment obtenir une réparation en dehors de ces territoires.....	47
Comment commander des accessoires et des pièces de rechange.....	47

REMARQUE : EN RAISON DU MODÈLE UNIQUE DU CONTENANT ET DE LA LAME, LISEZ CES INSTRUCTIONS AVANT D'UTILISER VOTRE NOUVEAU MÉLANGEUR KITCHENAID® POUR OBTENIR DES RÉSULTATS DE PERFORMANCE MAXIMUM.

Sécurité du mélangeur

Votre sécurité et celle des autres est très importante.

Nous donnons de nombreux messages de sécurité importants dans ce manuel et sur votre appareil ménager. Assurez-vous de toujours lire tous les messages de sécurité et de vous y conformer.



Voici le symbole d'alerte de sécurité.

Ce symbole d'alerte de sécurité vous signale les dangers potentiels de décès et de blessures graves à vous et à d'autres.

Tous les messages de sécurité suivront le symbole d'alerte de sécurité et le mot "DANGER" ou "AVERTISSEMENT". Ces mots signifient :

! DANGER

Risque possible de décès ou de blessure grave si vous ne suivez pas immédiatement les instructions.

! AVERTISSEMENT

Risque possible de décès ou de blessure grave si vous ne suivez pas les instructions.

Tous les messages de sécurité vous diront quel est le danger potentiel et vous disent comment réduire le risque de blessure et ce qui peut se produire en cas de non-respect des instructions.

CONSIGNES DE SÉCURITÉ IMPORTANTES

Lors de l'utilisation d'appareils électriques, il faut observer des mesures de sécurité élémentaires, pour réduire les risques d'incendie, de choc électrique et/ou de blessures aux personnes incluant ce qui suit :

1. Lisez toutes les instructions.
2. Pour vous protéger contre les chocs électriques, ne plongez pas le mélangeur dans l'eau ni dans d'autres liquides.
3. Il est nécessaire de surveiller de près l'utilisation de cet appareil par des enfants ou à proximité de ceux-ci.
4. Débranchez l'appareil de la prise de courant lorsqu'il n'est pas utilisé, avant de monter ou de démonter des pièces avant de le nettoyer.
5. Évitez de toucher aux pièces mobiles.
6. N'utilisez pas le mélangeur si le cordon ou la fiche sont endommagés ou s'ils présentent un défaut de fonctionnement ou s'ils tombent ou sont endommagés de quelque manière que ce soit. Rapportez l'appareil au centre de réparation le plus proche pour le faire examiner, réparer ou régler.
7. N'utilisez pas l'appareil à l'extérieur.
8. Ne laissez pas pendre le cordon du bord de la table ou du comptoir.
9. N'introduisez pas les doigts ni des ustensiles dans le récipient pendant le mélange pour limiter les risques de blessures graves ou de dommages au mélangeur. Utilisez un grattoir, mais seulement quand le mélangeur est arrêté.
10. Les lames sont tranchantes. Manipulez avec soin.
11. Pour réduire le risque de blessure, ne placez jamais le col de verrouillage avec les lames sur le socle sans que le récipient soit bien installé.
12. Utilisez toujours le mélangeur avec le couvercle en place.
13. L'utilisation d'accessoires, dont les bocaux de conserve, non recommandés par KitchenAid peut présenter un risque de blessure.
14. Enlevez la pièce centrale du couvercle à deux pièces si vous mélangez des liquides chauds.
15. Un voyant clignotant indique que l'appareil est prêt à utiliser. Évitez tout contact avec les lames ou les pièces mobiles.
16. Ce produit est réservé à un usage domestique.

CONSERVEZ CES DIRECTIVES

CE PRODUIT EST RÉSERVÉ À L'UTILISATION RÉSIDENIELLE

Alimentation électrique

Volts : 120 volts de c.a. seulement.

Hertz : 60 Hz

REMARQUE : Votre mélangeur a une fiche mise à la terre à 3 broches. Pour réduire le risque de choc électrique, cette fiche entre dans une prise seulement d'une manière. Si la fiche n'entre pas entièrement dans la prise, contacter un électricien qualifié. Ne pas modifier la fiche de quelque façon que ce soit.

Ne pas utiliser de rallonge. Si le cordon d'alimentation est trop court, demander à un électricien qualifié ou à un réparateur d'installer une prise près de l'appareil.

⚠ AVERTISSEMENT



Risque de choc électrique

Brancher sur une prise à 3 alvéoles reliée à la terre.

Ne pas enlever la broche de liaison à la terre.

Ne pas utiliser un adaptateur.

Ne pas utiliser un câble de rallonge.

Le non-respect de ces instructions peut causer un décès, un incendie ou un choc électrique.

Caractéristiques du mélangeur

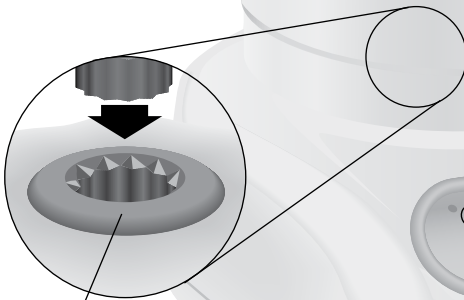
FRANÇAIS

Couvercle
« Stay-Put »
avec capuchon
doseur
d'ingrédients
transparent
contenant
60 ml (2 oz)

Récipient de
verre facile à
verser 1,5 L
(48 oz)

Lame en acier
inoxydable
brevetée

Assemblage
de col de
verrouillage
et de lame



Coupleur durable
renforcé d'acier

Socle en
métal coulé
sous pression

Touches de
sélection de
la vitesse

Clavier de
commande
Clean
Touch™



Suite à la page suivante

Caractéristiques du mélangeur

Ce mélangeur a été fabriqué et testé selon les normes de qualité de KitchenAid pour une performance optimale et une vie longue et sans problème.

Moteur puissant

Un moteur de 0,9 HP robuste fournit l'énergie nécessaire pour une performance superbe pour tous les types de mélange - de la mise en purée de sauces, aux salsas en morceaux, ou pour broyer uniformément un récipient de glaçons ou des fruits surgelés en quelques secondes pour préparer des yogourts fouettés soyeux.

Récipient de verre facile à verser 1,5 L (48 oz)

Le récipient de verre résiste aux égratignures, aux taches et aux odeurs. Le récipient se retire du col de verrouillage pour faciliter le nettoyage et résiste à une gamme de températures extrêmes. Le bec verseur permet un versement anti-goutte et en douceur.

Couvercle « Stay Put » avec une tasse d'ingrédients transparente de 60 ml (2 oz)

Fournit un joint solide. Le couvercle flexible conservera son étanchéité pendant toute la vie du mélangeur. Le couvercle incorpore une tasse amovible de 2 oz (60 ml) pour permettre de mesurer et d'ajouter des ingrédients de manière pratique.

Lame en acier inoxydable brevetée

Les dents surdimensionnées et tranchantes sont placées sur quatre plans différents pour un mélange rapide, complet et consistant.

Assemblage de col de verrouillage et de lame

Le modèle de lame durable d'une pièce, est construit dans le col de verrouillage pour faciliter la manipulation et le nettoyage. L'assemblage convenant au lave-vaisselle empêche les lames de tourner jusqu'à ce que le récipient soit bien installé au col et placé dans le socle du mélangeur.

Coupleur renforcé en acier durable

Le coupleur de qualité commerciale à 12 dents interverrouillables offre un transfert direct de la puissance du moteur aux lames. Le coupleur du récipient est recouvert pour un fonctionnement silencieux.

Boutons de sélection de vitesse

Créez des boissons congelées et des sauces en purée ou des soupes en quelques secondes. Mélangez en toute confiance, avec contrôle et constance à tous les réglages de vitesse. STIR (BRASSER), CHOP (BROYER), MIX (MÉLANGER), PUREE (PURÉE), ET LIQUEFY (LIQUÉFIER). Le MODE PULSE (IMPULSION) fonctionne avec les cinq vitesses. La fonction CRUSH ICE (BROYAGE DE GLAÇONS) est conçue spécifiquement pour broyer les glaçons et passera automatiquement à des impulsions à des intervalles décalés pour des résultats optimaux.

Commande du moteur Intelli-Speed™

La commande exclusive Intelli-Speed® fonctionne automatiquement pour garder une vitesse constante – même pendant les changements de densité lorsque des ingrédients sont ajoutés. Ce modèle KitchenAid de pointe conserve une vitesse optimale de mélange pour chaque tâche culinaire et réglage de touche de commande.

Fonction de mélange Soft Start®

Le mélangeur commence à une vitesse plus lente pour attirer les aliments dans la lame, puis augmente rapidement au réglage de vitesse choisi. Cette fonction du modèle réduit l'impulsion de démarrage et permet un fonctionnement à mains libres.

Le socle fait de métal coulé

Le socle solide fait de métal coulé, assure un fonctionnement stable, silencieux en mélangeant un récipient rempli d'ingrédients. Quatre pieds de caoutchouc sur le socle large et solide fournissent une prise antidérapante sans rayure. Le socle lisse et arrondi est facile à nettoyer et comprend un rangement de cordon d'alimentation sous l'appareil.

Touche de commande Clean Touch™

S'essuie facilement en un instant. La touche de commande lisse n'a pas de fente ou de fissure pour enfermer les ingrédients.

Avant de se servir du mélangeur

Avant la première utilisation

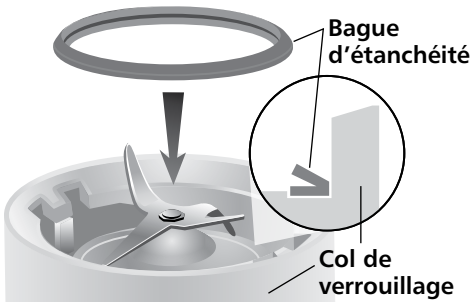
Avant d'utiliser votre mélangeur pour la première fois, essayez le socle avec un chiffon tiède savonneux, puis essuyez avec un chiffon humide. Asséchez avec un chiffon souple. Lavez le récipient, le couvercle de la tasse d'ingrédients, l'assemblage de col de verrouillage et de lame et la bague d'étanchéité dans de l'eau chaude et savonneuse (reportez-vous à Entretien et nettoyage). Rincez les pièces et essuyez pour assécher.

Assemblage du mélangeur

1. Placez l'assemblage de col de verrouillage et de lame pointant vers le haut sur une surface solide.

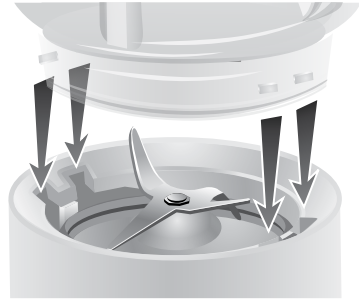


2. Placez la bague d'étanchéité, côté plat vers le bas, autour des lames et dans la rainure dans le col de verrouillage.



REMARQUE : Pour faciliter l'assemblage de col et de bocal, vous pouvez tremper le joint dans l'eau avant de le placer dans le col. Un joint d'étanchéité à pince permet d'installer plus facilement le contenant de verre au col.

3. Alignez les languettes du récipient avec les fentes du col de verrouillage.



4. Pressez et tournez le récipient dans le sens horaire d'environ $\frac{1}{4}$ de tour jusqu'à ce que vous entendiez deux clics.



5. Ajustez la longueur du cordon d'alimentation du mélangeur.



Avant de se servir du mélangeur

6. Mettez l'assemblage du récipient sur le socle du mélangeur.



REMARQUE : Lorsqu'il est bien placé, l'assemblage du récipient reposera entièrement sur le socle du mélangeur. Sinon, répétez les étapes 3 et 4.



7. Mettez le couvercle sur le récipient.

⚠ AVERTISSEMENT



Risque de choc électrique

Brancher sur une prise à 3 alvéoles reliée à la terre.

Ne pas enlever la broche de liaison à la terre.

Ne pas utiliser un adaptateur.

Ne pas utiliser un câble de rallonge.

Le non-respect de ces instructions peut causer un décès, un incendie ou un choc électrique.

8. Branchez l'appareil dans une prise mise à la terre à 3 broches. Le mélangeur est maintenant prêt à utiliser.
9. Avant de retirer le récipient du socle appuyez toujours sur le bouton « OFF » (arrêt) et débranchez le cordon d'alimentation.

Utilisation du mélangeur

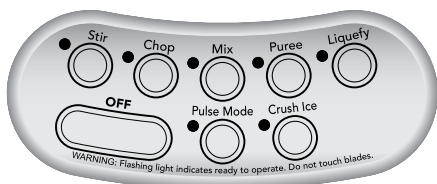
Avant d'utiliser le mélangeur

REMARQUE : Lorsque le mélangeur est en marche ou si le témoin lumineux de MODE D'IMPULSION clignote :

- N'entrez pas le déplacement de la lame
- Ne retirez pas le couvercle du récipient

Mode d'emploi du mélangeur

Le mélangeur KitchenAid® a cinq vitesses : STIR (BRASSER), CHOP (BROYER), MIX (MÉLANGER), PUREE (PURÉE), ET LIQUEFY (LIQUÉFIER). Il comprend aussi le mode CRUSH ICE (BROYAGE DE GLAÇONS) et PULSE MODE (IMPULSION).



1. Avec un fonctionnement pratique à une étape, cet appareil fonctionnera seulement lorsqu'un bouton de sélection de vitesse est appuyé.
2. Avant d'utiliser le mélangeur, assurez-vous que le récipient est bien installé dans le col de verrouillage et que l'assemblage est placé sur le socle du mélangeur.



REMARQUE : S'il y a un écart entre le col de verrouillage et le socle, le récipient pourrait ne pas être verrouillé dans le col de verrouillage ou l'assemblage du récipient n'est pas placé correctement sur le socle du mélangeur. Reportez-vous à l'assemblage du mélangeur pour d'autres instructions.

3. Placez les ingrédients dans le récipient et installez bien fermement le couvercle.

4. Appuyez le bouton de vitesse voulu pour un fonctionnement continu à cette vitesse. Le témoin lumineux rouge au-dessus de la vitesse choisie restera allumé. Les réglages peuvent être changés sans arrêter l'appareil en appuyant un nouveau bouton de vitesse.

IMPORTANT : Au cas de mélange d'aliments ou de liquides chauds, retirez la tasse d'ingrédients du centre. Faites fonctionner seulement à la vitesse STIR (BRASSER).

5. Pour éteindre le mélangeur, appuyez le bouton « OFF » (arrêt). Le bouton « Off » (arrêt) s'arrêtera à toute vitesse et désactivera le mélangeur en même temps.
6. Avant de retirer le récipient, débranchez le cordon d'alimentation.

CRUSH ICE (BROYAGE DE GLAÇONS)

Votre mélangeur KitchenAid® offre une fonction CRUSH ICE (BROYAGE DE GLAÇONS). Avec ce choix, le mélangeur passera automatiquement à des impulsions à des intervalles décalés à la vitesse optimale pour broyer les glaçons ou d'autres ingrédients.

1. Avant d'utiliser l'appareil, assurez-vous que le récipient est bien installé sur le socle du mélangeur.

REMARQUE : S'il y a un écart entre le col de verrouillage et le socle, le récipient pourrait ne pas être verrouillé dans le col de verrouillage ou l'assemblage du récipient n'est pas placé correctement sur le socle du mélangeur. Reportez-vous à l'Assemblage du mélangeur pour d'autres instructions.

2. Placez les ingrédients dans le récipient et installez bien fermement le couvercle.
3. Appuyez CRUSH ICE (BROYAGE DE GLAÇONS). Le témoin lumineux restera allumé. Le mélangeur passera automatiquement à des impulsions à des intervalles décalés.



Suite à la page suivante

Utilisation du mélangeur

4. Pour arrêter la fonction CRUSH ICE (BROYAGE DE GLAÇONS) appuyez le bouton « OFF » (arrêt). Le mélangeur est maintenant prêt pour une utilisation continue.
5. Avant de retirer le récipient, débranchez le cordon d'alimentation.

PULSE MODE (MODE D'IMPULSION)

Votre mélangeur KitchenAid® offre le MODE PULSE (MODE D'IMPULSION), qui permet d'avoir une fonction « Impulsion à toutes vitesses ».

REMARQUE : PULSE MODE (MODE D'IMPULSION) ne fonctionne pas avec la fonction CRUSH ICE (BROYAGE DE GLAÇONS).

1. Avant d'utiliser l'appareil, assurez-vous que le récipient est bien installé sur le socle du mélangeur.

REMARQUE : S'il y a un écart entre le col de verrouillage et le socle, le récipient pourrait ne pas être verrouillé dans le col de verrouillage ou l'assemblage du récipient n'est pas placé correctement sur le socle du mélangeur. Reportez-vous à l'Assemblage du mélangeur, page 20 pour d'autres instructions.

2. Placez les ingrédients dans le récipient et installez bien fermement le couvercle.
3. Appuyez sur le bouton PULSE MODE (MODE D'IMPULSION). Le témoin lumineux sur le bouton clignotera pour indiquer que les cinq vitesses sont en PULSE MODE (MODE D'IMPULSION).



4. Choisissez un bouton de vitesse. Appuyez et gardez appuyé pendant le temps voulu. Les témoins lumineux du bouton de vitesse et de PULSE MODE (MODE D'IMPULSION) resteront tous

deux allumés pendant l'impulsion à la vitesse choisie. Lorsque le bouton est délogé, le mélange s'arrêtera, mais le mélangeur restera en PULSE MODE (MODE D'IMPULSION) et le témoin lumineux PULSE MODE recommencera à clignoter. Pour avoir des impulsions à nouveau ou une autre vitesse, appuyez simplement et gardez appuyé le bouton de la vitesse voulue.



5. Pour arrêter la fonction PULSE MODE (MODE D'IMPULSION), appuyez le bouton « OFF » (arrêt). Le mélangeur est maintenant prêt pour une utilisation continue.
6. Avant de retirer le récipient, débranchez le cordon d'alimentation.

Tasse d'ingrédients

La tasse d'ingrédients de 60 ml (2 oz) peut être utilisée pour mesurer et ajouter des ingrédients au récipient. Retirez la tasse et ajoutez les ingrédients aux vitesses STIR (BRASSER), CHOP (BROYER) ou MIX (MÉLANGER). En fonctionnant à des vitesses plus élevées, avec un récipient plein ou avec un contenu chaud, arrêtez le mélangeur et ajoutez ensuite les ingrédients.



Fonction de mélange Soft Start®

La fonction de mélange Soft Start® commence le mélangeur à une vitesse plus lente pour attirer les aliments dans la lame, puis augmente rapidement au réglage de vitesse choisi pour une performance optimale.

REMARQUE : La fonction de mélange Soft Start® ne fonctionne que lorsqu'une vitesse est choisie du mode « OFF » (arrêt) et ne fonctionne pas avec le PULSE MODE (MODE D'IMPULSION) ou CRUSH ICE (BROYAGE DE GLAÇONS).

Guide des touches de vitesse

Article	Vitesse	Article	Vitesse
Boisson de glaçons mélangée.....	Liquefy (Liquéfier)	Boisson à base de lait glacé.....	Liquefy (Liquéfier)
Gâteau au fromage.....	Liquefy (Liquéfier)	Salade à la viande pour les garnitures de sandwich.....	Pulse on Chop (Impulsion en broyant)
Fruits hachés.....	Pulse on Stir (Impulsion en brassant)	Mousse.....	Liquefy (Liquéfier)
Légumes hachés.....	Pulse on Stir (Impulsion en brassant)	Bouillie d'avoine.....	Puree (Purée)
Tartinage à base de fromage à la crème.....	Stir (Brasser)	Pâte à crêpes.....	Mix (Mélanger)
Soupe à la crème.....	Stir (Brasser)	Pesto.....	Chop (Broyer)
Glaçons broyés/concassés.....	Crush Ice (Broyage de glaçons)	Purée de Fruit/nourriture de bébé.....	Puree (Purée)
Trempeuse.....	Stir (Brasser)	Purée de Viande/viande de nourriture de bébé.....	Puree (Purée)
Fruits frais finement hachés.....	Crush Ice (Broyage de glaçons)	Purée de Légumes/légumes de nourriture de bébé.....	Puree (Purée)
Légumes frais finement hachés.....	Liquefy (Liquéfier)	Vinaigrette.....	Mix (Mélanger)
Fruits hachés congelés (dégeler légèrement jusqu'à ce qu'on puisse les piquer avec le bout d'un couteau).....	Crush Ice (Broyage de glaçons)	Garniture de miettes de sarriette.....	Pulse on Chop (Impulsion en broyant)
Boisson congelée à base de yogourt.....	Liquefy (Liquéfier)	Boisson à base de sorbet....	Liquefy (Liquéfier)
Jus de fruits à partir de concentré congelé.....	Mix (Mélanger)	Ricotta ou fromage cottage lisse.....	Mix (Mélanger)
Boisson à base de fruits (épaisse).....	Stir (Brasser)	Garniture de streusel.....	Chop (Broyer)
Boisson à base de fruits (liquide).....	Liquefy (Liquéfier)	Garniture de miettes sucrées.....	Pulse on Chop (Impulsion en broyant)
Sauce à base de fruits.....	Stir (Brasser)	Garniture croustillante sucrée....	Pulse on Chop (Impulsion en broyant)
Fromage dur râpé.....	Liquefy (Liquéfier)	Sauce de plat principal à base de légumes.....	Stir (Brasser)
Sauce.....	Mix (Mélanger)	Pâte à gaufres.....	Mix (Mélanger)
		Sauce blanche.....	Stir (Brasser)

Conseil - Broyez jusqu'à un plateau à glaçons standard ou 12 à 14 glaçons de format standard à la fois. Brasser à l'occasion avec une spatule peut être utile lorsque le mélangeur ne fonctionne pas. La fonction de concassage de glace a été optimisée pour concasser et broyer la glace sans avoir à ajouter des ingrédients liquides.

Entretien et nettoyage

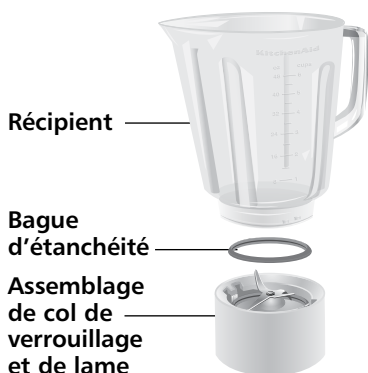
Le récipient du mélangeur, le col de verrouillage et la lame se nettoient facilement comme composants individuels ou ensemble, sans démonter.

- Nettoyez bien le mélangeur après chaque utilisation
- Ne plongez pas le socle du mélangeur ou le cordon d'alimentation dans l'eau
- N'utilisez pas de nettoyeurs abrasifs ou de tampons à récurer

Nettoyage des composants individuels

1. Soulevez l'assemblage du récipient d'un mouvement vers le haut et droit du socle du mélangeur. Tournez ensuite le récipient dans le sens antihoraire, deux clics, pour séparer l'assemblage de col de verrouillage et de lame et la bague d'étanchéité du récipient. Lavez les composants avec de l'eau savonneuse. Rincez et asséchez.

REMARQUE : Le récipient peut être placé dans le plateau inférieur d'un lave-vaisselle automatique. Le couvercle, la tasse d'ingrédients, l'assemblage de col de verrouillage et de lame et la bague d'étanchéité peuvent être placés dans le plateau supérieur. Pour les meilleurs résultats, il est recommandé de laver à la main.



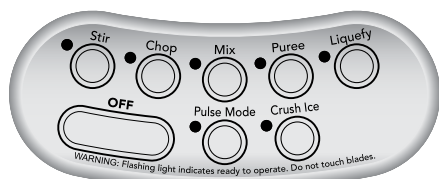
2. Essuyez le socle du mélangeur et le cordon d'alimentation avec un chiffon tiède savonneux; essuyez avec un chiffon humide et asséchez avec un chiffon doux.

Pour nettoyer sans démonter

1. Placez le récipient sur le socle du mélangeur, remplissez à moitié d'eau tiède (non chaude) et ajoutez 1 ou 2 gouttes de détergent liquide pour la vaisselle. Placez le couvercle sur le récipient, appuyez le réglage de vitesse STIR (BRASSER) et faites fonctionner le mélangeur pendant 5 à 10 secondes. Retirez le récipient et videz le contenu. Rincez à l'eau tiède jusqu'à ce que tout soit propre.
2. Pour nettoyer le couvercle et la tasse d'ingrédients lavez à l'eau tiède savonneuse, puis rincez et asséchez bien.
3. Essuyez le socle du mélangeur et le cordon d'alimentation avec un chiffon tiède savonneux; essuyez avec un chiffon humide et asséchez avec un chiffon doux.

Dépannage

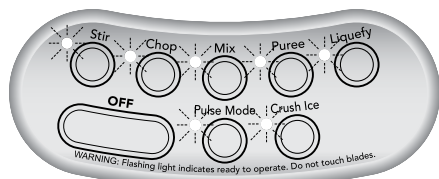
Le mélangeur ne fonctionne pas lorsqu'un réglage est choisi :



Aucun témoin lumineux n'est allumé.

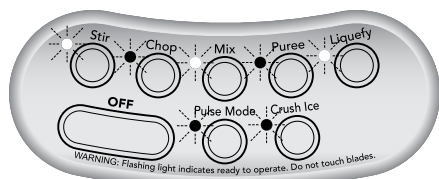
Vérifiez si le mélangeur est branché dans une prise mise à la terre à 3 broches. S'il l'est, appuyez le bouton « OFF » (arrêt) et débranchez le mélangeur. Rebranchez ensuite dans la même prise. Si le mélangeur ne fonctionne toujours pas, vérifiez le fusible ou le disjoncteur du circuit électrique où le mélangeur est branché et assurez-vous que le circuit est fermé.

Le mélangeur s'arrête en mélangeant :



Tous les témoins lumineux clignotent en même temps.

Le mélangeur pourrait être surchargé. Si le mélangeur est surchargé en mélangeant des ingrédients lourds, il s'arrêtera automatiquement pour éviter tout dommage au moteur. Appuyez le bouton « OFF » (arrêt) pour réinitialiser le mélangeur et débranchez le cordon d'alimentation. Retirez le récipient du socle et séparez le contenu en plus petits lots. Ajouter du liquide aux ingrédients peut aussi réduire la charge du mélangeur.



Les témoins lumineux clignotent de manière alternative.

Le mélangeur pourrait être bloqué. S'il est bloqué, le mélangeur cessera de fonctionner pour éviter tout dommage au moteur. Enfoncez « OFF » (arrêt) pour réinitialiser le mélangeur et débranchez le cordon d'alimentation. Retirez le récipient ou l'assemblage du bocal d'accessoires du socle et avec une spatule à râcler, libérez les lames en décomposant ou retirant le contenu au bas du récipient ou du bocal d'accessoires.

Le mélangeur se met en marche, mais les lames ne tournent pas :



Le récipient n'est pas bien installé dans le col de verrouillage. Pressez et tournez le récipient dans le sens horaire dans le col de verrouillage pour dépasser le second « clic ». Ceci permettra au récipient d'engager le coupleur. Reportez-vous à la section l'assemblage du mélangeur.

Si vous ne pouvez pas corriger le problème avec les étapes de cette section, contactez KitchenAid ou un Centre de service autorisé KitchenAid.

É.U./Puerto Rico :
1-800-541-6390

Canada :
1-800-807-6777

Mexique :
01-800-024-17-17 (JV Distribuciones)
01-800-902-31-00 (Industrias Birtman)

Consultez la section Garantie et réparation des produits KitchenAid pour obtenir plus de détails. Ne retournez pas le mélangeur au détaillant – il ne fournit pas le service.

Conseils sur le mélangeur

Conseils rapides

- Pour obtenir une texture plus lisse, mélangez avec la fonction CRUSH ICE (BROYAGE DE GLAÇONS) si vous préparez des boissons avec des glaçons.
- Les plus petits glaçons peuvent être broyés ou concassés plus rapidement que les plus gros.
- Ajoutez de la nourriture au récipient du mélangeur en plus grosses quantités que ce que vous feriez pour d'autres mélangeurs – vous pouvez ajouter 475 à 710 ml (2 à 3 tasses) à la fois plutôt que des portions de 235 ml (1 tasse).
- Pour de nombreux mélanges d'ingrédients, commencez le processus de mélange à STIR (BRASSER) pour bien combiner les ingrédients. Augmentez ensuite à une vitesse plus élevée, si nécessaire.
- Assurez-vous de garder le couvercle sur le récipient en mélangeant.
- Si vous le désirez, retirez la tasse d'ingrédients du centre ou le capuchon doseur du couvercle du récipient pour ajouter des liquides ou des glaçons tandis que le mélangeur est en marche aux vitesses STIR (BRASSER), CHOP (BROYER) ou MIX (MÉLANGER).
- En fonctionnant à des vitesses plus élevées avec un récipient plein ou avec un contenu chaud, arrêtez le mélangeur et ajoutez ensuite les ingrédients.
- Arrêtez le mélangeur avant d'utiliser les ustensiles dans le récipient. Utilisez une spatule de caoutchouc pour mélanger les ingrédients seulement lorsque le mélangeur est éteint. Pour éviter d'endommager l'ustensile ou les lames du mélangeur, n'utilisez pas d'ustensile, incluant les spatules, dans le récipient lorsque le moteur est en marche.
- Laissez refroidir les aliments chauds, si possible, avant le mélange. Commencez à mélanger les aliments chauds à STIR (BRASSER). Augmentez à une vitesse plus élevée, si nécessaire.
- Retirez la tasse d'ingrédients du centre ou le capuchon doseur en mélangeant des liquides chauds et faites fonctionner seulement à STIR (BRASSER). Ne placez pas la main nue sur le couvercle en transformant les liquides chauds.

- Arrêtez et vérifiez la consistance des aliments après quelques secondes pour éviter de trop transformer.

Comment...

Reconstituer le jus congelé : Pour une boîte de 175 ml (6 oz.) de jus d'orange concentré, combinez le jus et la quantité d'eau correcte dans le récipient. Couvrez et mélangez à MIX (MÉLANGER) jusqu'à ce que le tout soit bien combiné, environ 10 à 15 secondes.

Pour une boîte de 355 ml (12 oz.), combinez le jus et 1 boîte d'eau dans le récipient. Couvrez et mélangez à MIX (MÉLANGER) jusqu'à ce que le tout soit combiné, environ 20 à 30 secondes. Ajoutez en brassant les 2 autres boîtes d'eau.

Faire dissoudre la gélatine parfumée : Versez de l'eau bouillante dans le récipient; ajoutez la gélatine. Retirez la tasse d'ingrédients du centre et doseur mélangez à STIR (BRASSER) jusqu'à ce que la gélatine soit dissoute, environ 10 à 30 secondes. Ajoutez d'autres ingrédients.

Préparer des biscuits et des miettes de graham cracker : Cassez les biscuits plus larges en morceaux d'environ 3,75 cm (1½ po) de diamètre. Utilisez les plus petits biscuits tel quel. Placez dans un récipient. En PULSE MODE (MODE D'IMPULSION), couvrez et mélangez à CHOP (BROYER), utilisez des pulsions plusieurs fois, environ 3 secondes à chaque fois, jusqu'à ce que vous atteignez la consistance voulue. Utilisez les miettes pour préparer une garniture rapide pour les yogourts glacés, les puddings ou une compote de fruits.

Pour préparer des miettes plus fines pour les tartes et les croûtes de desserts, brisez les biscuits graham ou les biscuits en morceaux d'environ 3,75 cm (1½ po) de diamètre et placez dans le récipient. En PULSE MODE (MODE D'IMPULSION), couvrez et mélangez à LIQUEFY (LIQUÉFIER), utilisez des pulsions plusieurs fois jusqu'à ce que vous ayez la consistance voulue, environ 20 à 30 secondes.

Conseils sur le mélangeur

Préparer des miettes de biscuits

(crackers) : Suivez la procédure pour les biscuits. Utilisez comme garniture ou comme ingrédient dans les casseroles de plats principaux et ceux de légumes.

Préparer de la chapelure : Déchirez le pain en morceaux d'environ 3,75 cm (1½ po) de diamètre. Suivez la procédure pour les biscuits. Utilisez comme garniture ou comme ingrédient dans les casseroles de plats principaux et de légumes.

Hacher les fruits et légumes : Mettez 475 ml (2 tasses) de morceaux de fruits ou légumes dans un récipient. En PULSE MODE (MODE D'IMPULSION), couvrez et mélangez à STIR (BRASSER), utilisez des pulsions plusieurs fois, environ 2 à 3 secondes à chaque fois, jusqu'à ce que vous atteigniez la consistance désirée.

Purée de fruits : Placez 475 ml (2 tasses) de fruits en boîte ou cuits dans le récipient. Ajoutez 30 à 60 ml (2 à 4 cuillerées à table) de jus de fruit ou d'eau 235 ml (par tasse) de fruits. Couvrez et mélangez à PUREE environ 5 à 10 secondes.

Purée de légumes : Placez 475 ml (2 tasses) de légumes en boîte ou cuits dans le récipient. Ajoutez 30 à 60 ml (2 à 4 cuillerées à table) de bouillon, d'eau ou de lait par tasse (235 ml) de légumes. Couvrez et mélangez à PUREE environ 10 à 20 secondes.

Purée de viandes : Placez la viande cuite, en cube et tendre dans le récipient. Ajoutez 45 à 60 ml (3 à 4 cuillerées à table) de bouillon, d'eau ou de lait 235 ml (par tasse) de viande. Couvrez et mélangez à STIR (BRASSER) pendant 10 secondes. Arrêtez le mélangeur et grattez les côtés du récipient. Couvrez et mélangez à PUREE 10 à 20 secondes de plus.

Purée du fromage cottage ou

ricotta : Placez le fromage cottage ou ricotta dans le récipient. Couvrez et mélangez à MIX (MÉLANGER) jusqu'à ce que le tout soit lisse, environ 25 à 35 secondes. Arrêtez le mélangeur et grattez les côtés au besoin. Si nécessaire, ajoutez 15 ml (1 cuillère à table) de lait écrémé 235 ml (par tasse) de fromage cottage. Utilisez comme base pour les trempelettes et les tartinades à faible matière grasse.

Combiner les ingrédients liquides pour les produits de boulangerie et pâtisserie : Versez les ingrédients liquides dans le récipient. Couvrez et mélangez à LIQUEFY (LIQUÉFIER) jusqu'à ce que le tout soit bien mélangé, environ 10 à 15 secondes. Versez le mélange liquide sur les ingrédients secs et brassez bien.

Retirer les gros morceaux de la sauce : Si la sauce devient pleine de gros morceaux, placez-la dans le récipient. Couvrez et mélangez à MIX (MÉLANGER) jusqu'à ce que le tout soit lisse, environ 5 à 10 secondes.

Combiner la farine et le liquide pour épaissir : Placez la farine et le liquide dans le récipient. Couvrez et mélangez à STIR (BRASSER) jusqu'à ce que le tout soit lisse, environ 5 à 10 secondes.

Préparer la sauce blanche : Placez le lait, la farine, et le sel, si désiré, dans le récipient. Couvrez et mélangez à STIR (BRASSER) jusqu'à ce que le tout soit bien mélangé, environ 5 à 10 secondes. Versez dans la casserole et faites cuire comme d'habitude.

Préparer une pâte à gaufres ou à crêpes d'un mélange : Placez le mélange et d'autres ingrédients dans le récipient. Couvrez et mélangez à MIX (MÉLANGER) jusqu'à ce que le tout soit bien mélangé, 10 à 20 secondes. Arrêtez le mélangeur et grattez les côtés du récipient au besoin.

Râper le fromage : Coupez le fromage très froid en cubes de 1,25 à 1,5 cm (½ à 1 po). Placez jusqu'à 120 ml (½ tasse) de fromage dans le récipient. Couvrez et mélangez à LIQUEFY (LIQUÉFIER) environ 5 à 10 secondes. Pour les fromages durs, comme le Parmesan, amenez à la température ambiante, puis mélangez à LIQUEFY (LIQUÉFIER) pendant 10 à 15 secondes.

Préparer une bouillie d'avoine pour bébé : Placez les flocons d'avoine non cuits dans le récipient. En PULSE MODE (MODE D'IMPULSION), mélangez à MIX (MÉLANGER) jusqu'à ce que vous obteniez la consistance voulue, environ 5 impulsions, 2 à 3 secondes pour chaque impulsion. Faites cuire comme d'habitude.

Conseils sur le mélangeur

Préparer de la nourriture de bébé à partir de la nourriture d'adulte :

Placez la nourriture d'adulte préparée dans le récipient. Couvrez et mélangez à STIR (BRASSER) environ 10 secondes. Mélangez ensuite à PUREE environ 10 à 30 secondes.

Rincer votre récipient de mélangeur :

Remplissez le récipient, à moitié d'eau tiède. Ajoutez quelques gouttes de détergent liquide pour la vaisselle. Couvrez et mélangez à STIR (BRASSER) jusqu'à

ce que les côtés soient propres, environ 5 à 10 secondes. Rincez et asséchez. Pour un nettoyage complet, le récipient, le couvercle, la tasse d'ingrédients et l'assemblage de col de verrouillage et de lame et la bague d'étanchéité peuvent aussi être nettoyés dans un lave-vaisselle automatique. Reportez-vous à la section Entretien et nettoyage.

Margarita

- 175 ml (¾ tasse) de tequila
- 120 ml (½ tasse) de liqueur aromatisée à l'orange
- 120 ml (½ tasse) de jus de lime frais
- 60 ml (¼ tasse) de sirop de sucre ou 45 ml (3 cuillerées à soupe) de sucre
- 945 ml (4 tasses) de glaçons

Sirop de sucre

- 235 ml (1 tasse) de sucre
- 235 ml (1 tasse) d'eau

Mettez les ingrédients dans le récipient. Couvrez et mélangez bien à la position CRUSH ICE (CONCASSAGE DE GLACE) pendant 15 à 20 secondes ou jusqu'à obtention d'une consistance rappelant la barbotine.

Quantité : 6 portions (175 ml [¾ tasse] par portion).

Par portion : Environ 118 calories, 0 g de protéines, 16 g de glucides, 0 g de lipides, 0 g de graisse saturée, 0 mg de cholestérol, 6 mg de sel.

Sirop de sucre

Dans une petite casserole, combinez le sucre et l'eau. Faites bouillir jusqu'à ce que le sucre se dissolve, entre 2 et 4 minutes. Laissez refroidir, couvrez et réfrigérez.

Quantité : Environ 295 ml (1¼ tasse).

Boisson pétillante aux ananas et aux canneberges

- 1 boîte de (355 ml [12 oz]) de concentré de jus de canneberges surgelé
- 1 boîte d'ananas broyés (235 ml [8 oz]) dans leur jus et non égouttés
- 475 ml (2 tasses) de boisson gazeuse aromatisée au citron et à la lime, refroidie

Mettez le concentré de jus de canneberges et l'ananas dans le récipient. Couvrez et mélangez à la position LIQUEFY (LIQUÉFIER) pendant environ 10 secondes ou jusqu'à obtention d'une consistance onctueuse. Ajoutez la boisson gazeuse. Couvrez et mélangez à la position STIR (BRASSER) pendant 2 à 4 secondes jusqu'à l'obtention d'un mélange.

Quantité : 5 portions (environ 235 ml [1 tasse] par portion).

Par portion : Environ 171 calories, 0 g de protéines, 44 g de glucides, 0 g de lipides, 0 g de graisse saturée, 0 mg de cholestérol, 10 mg de sel.

Boisson fouettée aux fraises et aux bananes

- 355 ml (1½ tasse) de babeurre
- 235 ml (1 tasse) de fraises non sucrées surgelées
- 235 ml (1 tasse) de lait
- 3 bananes moyennes, coupées en quartiers
- 45 ml (3 cuillerées à soupe) de marmelade d'orange

Mettez les ingrédients dans le récipient. Couvrez et mélangez à la position LIQUEFY (LIQUÉFIER) pendant 15 à 20 secondes ou jusqu'à obtention d'une consistance onctueuse.

Quantité : 5 portions (environ 235 ml [1 tasse] par portion).

Par portion : Environ 170 calories, 6 g de protéines, 34 g de glucides, 2,5 g de lipides, 1,5 g de graisse saturée, 0 mg de cholestérol, 90 mg de sel.

Moka au rhum

- 475 ml (2 tasses) de crème glacée au chocolat
- 120 ml (½ tasse) de café doublement concentré, froid
- 120 ml (½ tasse) de rhum très foncé
- 4 glaçons

Mettez les ingrédients dans le récipient. Couvrez et mélangez à la position CRUSH ICE (CONCASSAGE DE GLACE) pendant 12 à 15 impulsions ou jusqu'à obtention d'une consistance de barbotine.

Quantité : 4 portions (175 ml [¾ tasse] par portion).

Par portion : Environ 210 cal, 3 g de protéines, 19 g de glucides, 7 g de lipides, 4,5 g de graisse saturée, 20 mg de cholestérol, 50 mg de sel.

Tortellini italien à la soupe aux tomates

- 30 ml (2 cuillerées à soupe) d'huile d'olive
- 120 ml (1/2 tasse) d'oignon haché
- 120 ml (1/2 tasse) de poivrons verts hachés
- 2 boîtes (429 ml [14,5 oz] chaque) de tomates italiennes coupées en dés, non égouttées
- 15 ml (1 cuillerée à soupe) de sucre
- 2 ml (1/2 cuillerée à thé) de sel
- 1 ml (1/4 cuillerée à thé) de graines de fenouil
- 0,5 ml (1/8 cuillerée à thé) de poivre de cayenne
- 1 boîte (415 ml [14 oz]) de bouillon de boeuf
- 1 boîte (265 ml [9 oz]) de tortellini au fromage, réfrigérés
- Fromage mozzarella râpé, si désiré
- Persil frais haché, si désiré

Dans une grande casserole, chauffez l'huile d'olive à feu moyen. Ajoutez l'oignon et le poivron vert; faites cuire de 3 à 5 minutes ou jusqu'à ce qu'il aient ramolli. Ajoutez les tomates, le sucre, le sel, les graines de fenouil et le poivre de cayenne. Réduisez la température et faites cuire à feu doux, à découvert, de 15 à 20 minutes, ou jusqu'à ce que le mélange épaississe en brassant occasionnellement. Laissez refroidir 5 minutes.

Versez la moitié du mélange de tomates refroidi dans le récipient. Couvrez et mélangez à STIR (BRASSER) pendant 15 secondes. Ajoutez le reste du mélange de tomates. Couvrez et mélangez à STIR (BRASSER) pendant 15 secondes. Couvrez et mélangez à la position LIQUEFY (LIQUÉFIER) pendant environ 10 secondes ou jusqu'à obtention d'une consistance onctueuse.

Remettez le mélange dans la casserole. Ajoutez le bouillon. Portez à ébullition. Ajoutez les tortellini. Réduisez la température et faites cuire à feu doux, à découvert, de 8 à 10 minutes ou jusqu'à ce que les tortellini soient tendres en brassant occasionnellement.

Servez chaud, saupoudrez de fromage mozzarella et de persil haché, si désiré.

Quantité : 6 portions (235 ml [1 tasse]).

Par portion : Environ 250 calories, 8 g de protéines, 35 g de glucides, 8 g de lipides, 2,5 g de graisse saturée, 20 mg de cholestérol, 1100 mg de sel.

Crêpes aux bleuets et sauce

Sauce

- 60 ml ($\frac{1}{4}$ tasse) de sucre
- 10 ml (2 cuillerées à thé) de fécule de maïs
- 160 ml ($\frac{2}{3}$ tasse) d'eau
- 2 ml ($\frac{1}{2}$ cuillerée à thé) de zeste de citron
- 475 ml (2 tasses) de bleuets frais ou surgelés (ne pas décongeler)

Crêpes

- 2 oeufs
- 475 ml (2 tasses) de babeurre
- 30 ml (2 cuillerées à soupe) d'huile végétale
- 2 ml ($\frac{1}{2}$ cuillerée à thé) de zeste de citron
- 535 ml ($2\frac{1}{4}$ tasse) de farine tout usage
- 30 ml (2 cuillerées à soupe) de sucre
- 5 ml (1 cuillerée à thé) de poudre à pâte
- 5 ml (1 cuillerée à thé) de bicarbonate de soude
- 2 ml ($\frac{1}{2}$ cuillerée à thé) de sel
- 1 ml ($\frac{1}{4}$ cuillerée à thé) de muscade
- 235 ml (1 tasse) de bleuets frais ou surgelés (ne pas décongeler)

Mettez les ingrédients de la sauce dans la casserole. Faites cuire à feu moyen jusqu'à ce que le mélange épaississe, remuez constamment. Laissez refroidir pendant 5 minutes. Versez dans le récipient. Couvrez et mélangez à STIR (BRASSER) pendant 5 secondes; passez une spatule sur les parois au besoin. Mélangez à la position MIX (MÉLANGER) pendant environ 10 secondes ou jusqu'à obtention d'une consistance onctueuse. Versez dans un contenant à servir. Rincez le récipient.

Mettez les oeufs dans le récipient. Couvrez et mélangez à STIR (BRASSER) environ 5 secondes. Ajoutez le babeurre et le zeste de citron. Remuez à la position MIX (MÉLANGER) pendant environ 5 secondes. Ajoutez la farine, le sucre, le bicarbonate de soude, le sel et la muscade. En utilisant la fonction PULSE (IMPULSION), remuez à la position MIX (MÉLANGER), environ 5 impulsions, entre 2 et 3 secondes à chaque fois ou jusqu'à ce que les ingrédients secs soient humides. Introduisez doucement les bleuets à la main.

Si vous utilisez une crêpière qui n'est pas anti-adhésive, enduisez-la d'un produit de cuisson anti-adhésif et faites-la chauffer à feu moyen-élevé. Versez 60 ml ($\frac{1}{4}$ tasse) de pâte pour chaque crêpe dans la crêpière. Remuez fréquemment la pâte pour vous assurer que les bleuets sont uniformément répartis. Faites cuire jusqu'à l'obtention de bulles à la surface et que les bords soient cuits, de 1 à 2 minutes. Tournez; faites cuire jusqu'à ce que les crêpes soient dorées en dessous, de 1 à 2 minutes. Servez avec la sauce aux bleuets chaude.

Quantité : Environ 8 portions (2 crêpes de 10 cm [4 po] et 60 ml [$\frac{1}{4}$ tasse] de sauce par portion).

Par portion : Environ 280 calories, 8 g de protéines, 48 g de glucides, 6 g de lipides, 1 g de graisse saturée, 55 mg de cholestérol, 280 mg de sel.

Vinaigrette aux framboises

235 ml (1 tasse) de framboises fraîches ou surgelées, décongelées

30 ml (2 cuillerées à soupe) de sucre

45 ml (3 cuillerées à soupe) de vinaigre de framboise

30 ml (2 cuillerées à soupe) d'huile végétale

Mettez les ingrédients dans le récipient. Couvrez et mélangez à la position STIR (BRASSER) pendant 15 secondes; passez une spatule sur les parois au besoin. Mélangez à la position LIQUEFY (LIQUÉFIER) pendant 10 à 15 secondes ou jusqu'à obtention d'une consistance onctueuse. Servez sur les salades vertes ou de fruits. Gardez au réfrigérateur.

Quantité : 6 portions (10 ml [2 cuillerées à soupe] par portion).

Par portion : Environ 70 calories, 0 g de protéines, 7 g de glucides, 4,5 g de lipides, 0 g de graisse saturée, 0 mg de cholestérol, 0 mg de sel.

Pots de crème au chocolat

235 ml (1 tasse) de brisures de chocolat semi-sucré

60 ml (1/4 tasse) de succédané d'œuf ou 1 œuf pasteurisé battu

2 1/2 cuillerée à thé de vanille

175 ml (3/4 tasse) de lait évaporé

Crème à fouetter sucrée ou garniture de crème fouettée, si désiré

Placez les brisures de chocolat, le succédané d'œuf et la vanille dans le récipient. Amenez le lait évaporé à ébullition. Versez sur les brisures de chocolat. Couvrez et mélangez à la position LIQUEFY (LIQUÉFIER) pendant 20 à 25 secondes, ou jusqu'à ce que les brisures de chocolat soient fondues et que le mélange soit onctueux, passez une spatule sur les parois du récipient au besoin.

Versez dans de petites coupes. Réfrigérez jusqu'à ce que le mélange soit ferme, entre 4 et 6 heures. Garnissez de crème fouettée, si désiré.

Quantité : 4 portions (120 ml [1/2 tasse] par portion).

Par portion : Environ 350 calories, 7 g de protéines, 38 g de glucides, 22 g de lipides, 13 g de graisse saturée, 15 mg de cholestérol, 45 mg de sel.

Lait frappé aux fruits

475 ml (2 tasses) de lait

355 ml (1 1/2 tasse) de crème glacée à la vanille

710 ml (3 tasses) de pêches, de fraises ou autres fruits frais coupés*

30 ml (2 cuillerées à soupe) de sucre en poudre, si désiré

Mettez les ingrédients dans le récipient. Couvrez et mélangez à la position LIQUEFY (LIQUÉFIER) pendant 10 à 15 secondes ou jusqu'à obtention d'une consistance onctueuse.

Quantité : 5 portions (environ 235 ml [1 tasse] par portion).

*710 ml (3 tasses) de fruits surgelés, légèrement décongelés, peuvent remplacer les fruits frais.

Par portion : Environ 170 calories, 6 g de protéines, 24 g de glucides, 7 g de lipides, 4 g de graisse saturée, 25 mg de cholestérol, 70 mg de sel.

Garantie du mélangeur KitchenAid®

Durée de la garantie :	KitchenAid prendra en charge :	KitchenAid ne prendra pas en charge :
<p>50 États des États-Unis, le district fédéral de Columbia, le Canada et Puerto Rico : Garantie limitée d'un an à compter de la date d'achat.</p>	<p>50 États des États-Unis, district fédéral de Columbia et Canada : Garantie de satisfaction totale et de remplacement de votre mélangeur. Consultez la page suivante pour obtenir des détails sur la façon de remplacer le mélangeur. OU À Puerto Rico : Les coûts des pièces de rechange et de main-d'œuvre pour corriger les défauts de matériaux et de main-d'œuvre. Le service après-vente doit être assuré par un Centre de réparation autorisé KitchenAid. Pour obtenir une réparation, reportez-vous aux instructions de la page suivante.</p>	<p>A. Les réparations découlant de l'utilisation du mélangeur dans un contexte autre qu'un foyer unifamilial normal.</p> <p>B. Les dommages attribuables aux causes suivantes : un accident, une modification, la mauvaise utilisation, un emploi abusif ou une utilisation non approuvée par KitchenAid.</p> <p>C. Les coûts des pièces de rechange ou de main-d'œuvre pour le mélangeur si ce dernier est utilisé à l'extérieur du pays d'achat.</p>

FRANÇAIS

DÉSARMEUR DE GARANTIE TACITE, LIMITATION DES RECOURS LES GARANTIES TACITES, Y COMPRIS DANS LA MESURE APPLICABLE LES GARANTIES DE QUALITÉ MARCHANDE OU D'APTITUDE À UN EMPLOI PARTICULIER, SONT EXCLUES DANS LA MESURE AUTORISÉE PAR LA LOI. TOUTE GARANTIE TACITE IMPOSÉE PAR LA LOI EST LIMITÉE À UN AN, OU LA DURÉE MINIMUM PERMISE PAR LA LOI. PUISQUE CERTAINES JURIDICTIONS NE PERMETTENT PAS L'EXCLUSION OU LA LIMITATION DE DURÉE DES GARANTIES IMPLICITES DE QUALITÉ MARCHANDE OU D'APTITUDE À UN EMPLOI PARTICULIER, LES LIMITATIONS CI-DESSUS PEUVENT DONC NE PAS S'APPLIQUER À VOUS.

SI CET APPAREIL NE FONCTIONNE PAS COMME GARANTI, LE SEUL ET EXCLUSIF RECOURS DES CLIENTS EST LA RÉPARATION OU LE REMPLACEMENT SELON LES DISPOSITIONS DE LA GARANTIE LIMITÉE. KITCHENAID ET KITCHENAID-CANADA N'ASSUMENT AUCUNE RESPONSABILITÉ EN CAS DE DOMMAGES ACCESSOIRES OU INDIRECTS. Cette garantie vous confère des droits spécifiques auxquels peuvent s'ajouter d'autres droits variant d'un État ou d'une province à l'autre.

Garantie de satisfaction totale et de remplacement - 50 États des États-Unis, et District de Columbia

Nous sommes tellement certains que la qualité de nos produits satisfait aux normes exigeantes de KitchenAid que, si le mélangeur cesse de fonctionner au cours de la première année, KitchenAid livrera gratuitement un appareil identique ou comparable à votre porte et s'occupera de récupérer le mélangeur original.

L'appareil de rechange sera aussi couvert par notre garantie limitée d'un an. Veuillez suivre ces instructions pour recevoir ce service de qualité.

Si le mélangeur KitchenAid® cesse de fonctionner durant la première année, il suffit d'appeler le numéro sans frais

1-800-541-6390 du Centre de satisfaction de la clientèle du lundi au vendredi de 8 h à 20 h (heure de l'Est) ou le samedi de 10 h à 17 h. Fournissez votre adresse de livraison complète au représentant. (Pas de boîte postale).

Quand vous recevez le mélangeur de rechange, veuillez utiliser le carton et les matériaux d'emballage pour emballer le mélangeur original.

Écrivez vos nom et adresse sur une feuille de papier et mettez-la dans le carton avec une copie de la preuve d'achat (reçu de caisse, facture de règlement par carte de crédit, etc.)

Garantie de satisfaction totale et de remplacement - Canada

Nous sommes tellement certains que la qualité de nos produits satisfait aux normes exigeantes de KitchenAid que, si le mélangeur cesse de fonctionner au cours de la première année, KitchenAid le remplacera par un appareil identique ou comparable. L'appareil de rechange sera aussi couvert par notre garantie limitée d'un an. Veuillez suivre ces instructions pour recevoir ce service de qualité.

Si le mélangeur KitchenAid® cesse de fonctionner au cours de la première année, apportez-le ou retournez-le port dû à un Centre de réparation KitchenAid

autorisé. Écrivez vos nom et adresse complète sur une feuille de papier et mettez-la dans le carton avec une copie de la preuve d'achat (reçu de caisse, facture de règlement par carte de crédit, etc.) Le mélangeur de rechange sera expédié port prépayé et assuré. Si le service ne s'avère pas satisfaisant, appelez le numéro sans frais du Centre d'expérience à la clientèle : 1-800-807-6777. Ou écrivez à :

Centre d'expérience à la clientèle
KitchenAid Canada
Mississauga, ON
L5N 0B7

Comment obtenir une réparation sous garantie à Puerto Rico

Le mélangeur KitchenAid® est couvert par une garantie limitée d'un an à partir de la date d'achat. KitchenAid prendra en charge les coûts des pièces de rechange et de main-d'œuvre pour corriger les défauts de matériaux et de main-d'œuvre. Le service après-vente doit être assuré par un Centre de réparation autorisé KitchenAid.

Apportez le mélangeur ou retournez-le port payé et assuré à un Centre de réparation autorisé de KitchenAid. Le mélangeur réparé vous sera retourné port prépayé et assuré. S'il est impossible d'obtenir des réparations satisfaisantes de cette manière, appelez le numéro sans frais 1-800-541-6390 pour obtenir l'adresse d'un Centre de réparation près de chez vous.

Comment obtenir une réparation hors garantie – tous les territoires

Avant d'appeler pour faire réparer l'appareil, consultez la section Dépannage.

Pour obtenir de l'information sur les réparations dans les 50 États des États-Unis, le district fédéral de Columbia et Puerto Rico, appelez le numéro sans frais 1-800-541-6390.

Ou écrivez à :
Centre de satisfaction de la clientèle
KitchenAid Portable Appliances
P.O. Box 218, St. Joseph, MI 49085-0218

Ou contactez un centre de réparation autorisé près de chez vous.

Pour obtenir de l'information sur les réparations au Canada, appelez le numéro sans frais 1-800-807-6777.

Ou écrivez à :
Centre d'expérience à la clientèle
KitchenAid Canada
Mississauga, ON L5N 0B7

Comment obtenir une réparation en dehors de ces territoires

Demandez à votre distributeur local KitchenAid ou au détaillant où le mélangeur a été acheté où le faire réparer.

Pour obtenir de l'information sur les réparations au Mexique, appelez le numéro sans frais 01-800-024-17-17 (JV Distribuciones) ou 01-800-902-31-00 (Industrias Birtman)

Comment commander des accessoires et des pièces de rechange

Pour commander des accessoires ou des pièces de rechange pour le mélangeur dans les 50 États des États-Unis, dans le district fédéral de Columbia et à Puerto-Rico, appelez sans frais le 1-800-541-6390 du lundi au vendredi, de 8 h à 20 h (heure de l'Est), le samedi de 10 h à 17 h.

Ou écrivez à :
Centre de satisfaction de la clientèle
KitchenAid Portable Appliances
P.O. Box 218
St. Joseph, MI 49085-0218

Pour commander des accessoires ou des pièces de rechange pour le mélangeur au Canada, appelez le numéro sans frais 1-800-807-6777.

Ou écrivez à :
Centre d'expérience à la clientèle
KitchenAid Canada,
Mississauga, ON L5N 0B7

Pour commander des accessoires ou des pièces de rechange pour le mélangeur au Mexique, appelez le numéro sans frais 01-800-024-17-17 (JV Distribuciones) ou 01-800-902-31-00 (Industrias Birtman)

Tabla de contenidos

INTRODUCCIÓN

Comprobante de compra y registro del producto.....	Reverso de la carátula
Seguridad con la licuadora.....	50
Medidas de seguridad importantes.....	51
Requerimientos eléctricos.....	52

CARACTERÍSTICAS Y OPERACIÓN

Características de la licuadora	53
Preparación de la licuadora para su uso.....	55
Antes del primer uso	55
Ensamblaje de la licuadora	55
Uso de la licuadora	57
Antes de usar	57
Operación de la licuadora.....	57
PICAR HIELO.....	57
MODO DE PULSO.....	58
Taza para ingredientes.....	58
Característica de licuado Soft Start®.....	58
Guía para el control de la velocidad.....	59

CUIDADO Y LIMPIEZA

Limpieza de componentes individuales	60
Limpieza sin desensamblar.....	60
Resolución de problemas.....	61

CONSEJOS PARA LICUAR

Consejos rápidos	62
Consejos prácticos para	62

Tabla de contenidos

RECETAS

Margarita.....	64
Bebida burbujeante de arándano y piña	65
Licuada de fresa y banana	65
Ron con café moca.....	65
Sopa italiana de tomate y tortellini	66
Panqueques y salsa de arándano.....	67
Aderezo de vinagre de frambuesa.....	68
Copa de chocolate de Crème.....	68
Malteada de frutas frescas.....	68

GARANTÍA E INFORMACIÓN DE SERVICIO

Garantía de la licuadora KitchenAid®.....	69
Garantía de reemplazo sin molestias - en los 50 Estados Unidos y en el Distrito de Columbia.....	70
Garantía de reemplazo sin molestias en Canadá	70
Cómo ordenar el servicio de garantía en Puerto Rico	70
Cómo ordenar el servicio luego de la expiración de la garantía – en todas las localidades	71
Cómo ordenar el servicio fuera de estas localidades.....	71
Como ordenar accesorios y piezas de repuesto	71

NOTA: DEBIDO AL DISEÑO ÚNICO DEL CONTENEDOR Y LA CUCHILLA, LEA ESTAS INSTRUCCIONES ANTES DE USAR SU NUEVA LICUADORA KITCHENAID® PARA LOGRAR LOS MEJORES RESULTADOS DE FUNCIONAMIENTO/RENDIMIENTO.

Seguridad con la licuadora

Su seguridad y la seguridad de los demás es muy importante.

Hemos incluido muchos mensajes importantes de seguridad en este manual y en su electrodoméstico. Lea y obedezca siempre todos los mensajes de seguridad.



Este es el símbolo de advertencia de seguridad.

Este símbolo le llama la atención sobre peligros potenciales que pueden ocasionar la muerte o una lesión a usted y a los demás.

Todos los mensajes de seguridad irán a continuación del símbolo de advertencia de seguridad y de la palabra "PELIGRO" o "ADVERTENCIA". Estas palabras significan:

! PELIGRO

Si no sigue las instrucciones de inmediato, usted puede morir o sufrir una lesión grave.

! ADVERTENCIA

Si no sigue las instrucciones, usted puede morir o sufrir una lesión grave.

Todos los mensajes de seguridad le dirán el peligro potencial, le dirán cómo reducir las posibilidades de sufrir una lesión y lo que puede suceder si no se siguen las instrucciones.

MEDIDAS DE SEGURIDAD IMPORTANTES

Cuando utilice aparatos eléctricos, siempre debe seguir las medidas básicas de seguridad para reducir la posibilidad de riesgos de incendios, descargas eléctricas y/o lesiones a personas. Las instrucciones son las siguientes:

1. Lea todas las instrucciones.
2. Para protegerse del riesgo de una descarga eléctrica, no coloque la licuadora en agua ni otro líquido.
3. Es necesario que supervise de cerca cuando algún aparato está siendo utilizado por o cerca de niños.
4. Desconecte del tomacorriente cuando no la esté usando, antes de colocar o quitar piezas y antes de limpiar.
5. Evite el contacto con las piezas móviles.
6. No utilice la licuadora con un cable o un enchufe dañado ni luego de un mal funcionamiento del aparato ni si se ha caído o dañado de alguna forma. Devuelva la licuadora al centro de servicio técnico autorizado más cercano para su inspección, reparación o ajuste eléctrico o mecánico.
7. No la utilice a la intemperie.
8. No deje que el cable cuelgue del borde de la mesa o del mostrador.
9. Mantenga las manos y los utensilios lejos del recipiente mientras licue para reducir el riesgo de lesiones graves a personas o daños a la licuadora. Puede utilizarse una espátula raspadora pero se debe utilizar sólo cuando la licuadora no esté en funcionamiento.
10. El ensamblaje de cuchillas es filoso. Manéjelas con cuidado.
11. Para disminuir el riesgo de sufrir una lesión, nunca coloque el collar de seguridad con las cuchillas en la base si el vaso no está colocado correctamente en su lugar.
12. Siempre haga funcionar la licuadora con la tapa.
13. El uso de accesorios como potes enlatados no recomendados por KitchenAid pueden ocasionar lesiones a las personas.
14. Cuando procese líquidos calientes, retire la parte central de la tapa de dos piezas.
15. La luz parpadeante indica que está lista para funcionar. Evite todo contacto con las cuchillas o partes móviles.
16. Este producto está diseñado sólo para uso doméstico.

GUARDE ESTAS INSTRUCCIONES

**ESTE PRODUCTO ESTÁ DISEÑADO SÓLO
PARA USO DOMÉSTICO**

Requerimientos eléctricos

Voltios: 120 Voltios CA únicamente.
Hertz: 60 Hz

NOTA: La licuadora tiene un enchufe de tres entradas con conexión a tierra. Para disminuir el riesgo de sufrir una choque eléctrico, éste enchufe entra en un tomacorriente en un solo sentido. Si el enchufe no entra en el tomacorriente, comuníquese con un electricista calificado. No modifique el enchufe de ningún modo.

No utilice cable de extensión. Si el cable de corriente es muy corto, pida a un electricista o técnico calificado que instale un tomacorriente cerca del aparato.

⚠ ADVERTENCIA



Peligro de Choque Eléctrico

Conecte a un contacto de pared de conexión a tierra de 3 terminales.

No quite la terminal de conexión a tierra.

No use un adaptador.

No use un cable eléctrico de extensión.

No seguir estas instrucciones puede ocasionar la muerte, incendio o choque eléctrico.

Características de la licuadora

Tapa fija con taza transparente para ingredientes de 2 onzas (60 ml)

Jarra de vidrio de 48 oz. (1.5 L) fácil de vaciar

Cuchilla patentada de acero inoxidable

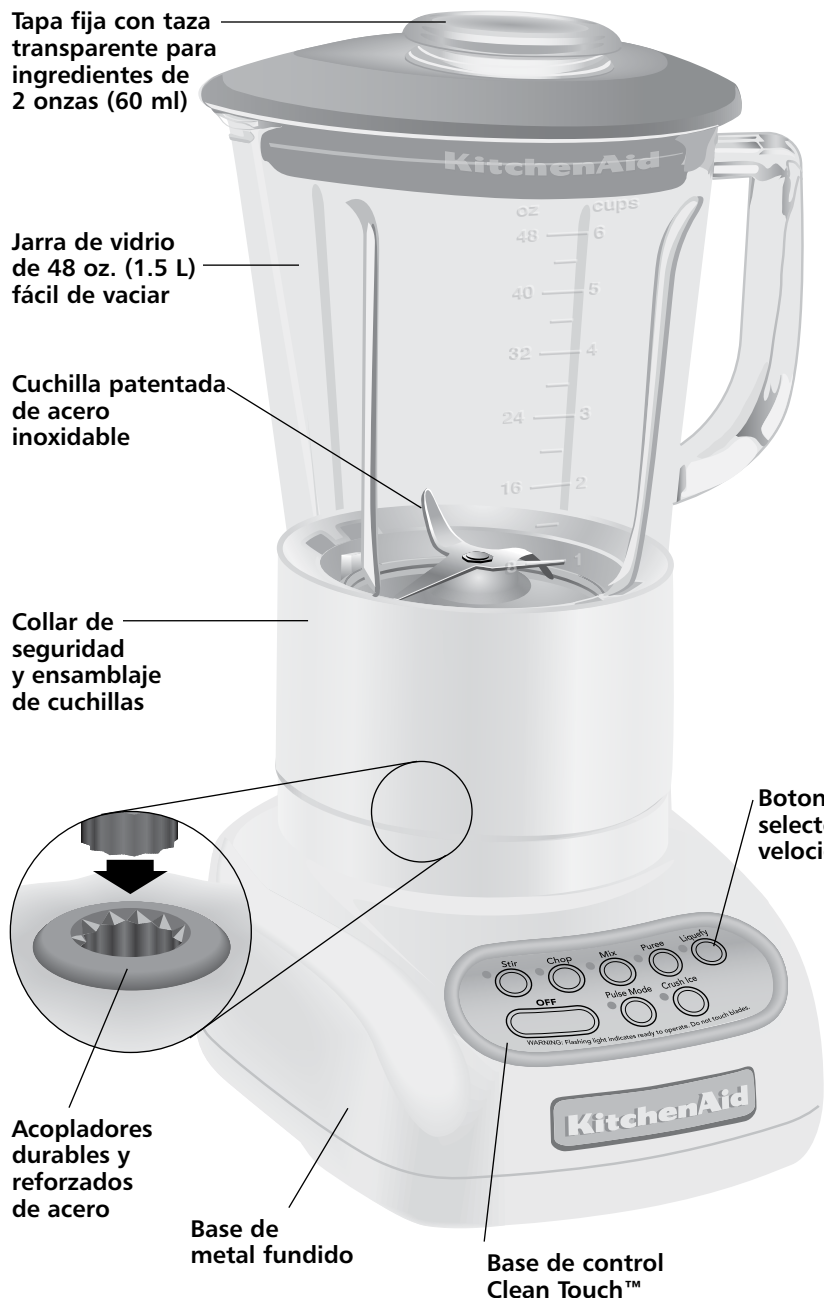
Collar de seguridad y ensamblaje de cuchillas

Acopladores durables y reforzados de acero

Base de metal fundido

Base de control Clean Touch™

Botones selectores de velocidad



ESPAÑOL

Continúa en la página siguiente

Características de la licuadora

Esta licuadora fue fabricada y probada de acuerdo con las normas de calidad de KitchenAid para un óptimo rendimiento y una larga duración sin problemas.

Potente motor

El resistente motor de 0.9 caballos de fuerza proporciona la potencia necesaria para lograr un desempeño excepcional en todas las tareas de licuado, desde purés hasta salsas con trozos, o picar de manera uniforme una jarra de hielo o fruta congelada en segundos para preparar batidos suaves.

Jarra de vidrio de 48 oz. (1.5 L) fácil de vaciar

La jarra de vidrio es resistente a rayones, manchas y olores. Puede quitar el collar de seguridad para limpiar la jarra fácilmente; además soporta un rango de temperaturas extremas. El pico vertedor permite un vaciado regular, sin salpicaduras.

Tapa fija con taza transparente para ingredientes de 2 oz. (60 ml)

Proporciona un sellado firme. La tapa flexible mantendrá el sellado a lo largo de toda la vida útil de la licuadora. La tapa incorpora una taza extraíble de 2 oz. (60 ml) para medir y agregar ingredientes con facilidad.

Cuchilla de acero inoxidable patentada

Los grandes y filosos dientes están dispuestos en cuatro planos distintos para obtener un licuado rápido, completo y uniforme.

Collar de seguridad y ensamblaje de cuchillas

El duradero diseño de cuchilla de una pieza está integrado al collar de seguridad para un fácil manejo y limpieza. El ensamblaje, que se puede meter al lavavajillas, impide que las cuchillas giren hasta que la jarra esté correctamente colocada en el collar y en la base de la licuadora.

Acoplador durable y reforzado de acero

El acoplador de calidad comercial con 12 dientes entrelazados transfiere directamente la potencia del motor a las cuchillas. El acoplador de la jarra está recubierto para que opere de forma silenciosa.

Botones de selección de velocidad

Prepare bebidas heladas y haga salsas purés o sopas en segundos. Licue con confianza, control y consistencia con todas las opciones de velocidad: REVOLVER, PICAR, MEZCLAR, PURÉ y LICUAR. El MODO DE PULSO funciona con las cinco velocidades. La función para PICAR HIELO está diseñada específicamente para picar hielo y se activa automáticamente a intervalos escalonados para obtener resultados óptimos.

Control de motor Intelli-Speed®

El exclusivo sistema de control Intelli-Speed® se activa automáticamente para mantener una velocidad constante, incluso durante los cambios de densidad que se producen cuando se agregan ingredientes. Este diseño moderno de KitchenAid mantiene una velocidad óptima de licuado para cada tarea culinaria y opción del panel de control.

Característica de licuado Soft Start®

La licuadora arranca a una velocidad menor para ayudar a llevar los ingredientes hacia las cuchillas y luego aumenta rápidamente a la velocidad seleccionada. Esta característica de diseño reduce el golpeteo inicial y permite su uso sin intervención del usuario.

Características de la licuadora

Base de metal fundido

La pesada base de metal fundido garantiza una operación estable y silenciosa al licuar una jarra completa de ingredientes. Las cuatro patas de goma de la ancha y sólida base proporcionan un agarre antideslizante que no deja marcas. La base, lisa y redonda, es fácil de limpiar y posee un compartimiento para guardar el cable en la parte inferior.

Panel de control Clean Touch™

Puede limpiarse en un instante. El panel de control liso no tiene hendiduras o huecos donde puedan quedar atrapados los ingredientes.

Preparación de la licuadora para su uso

Antes del primer uso

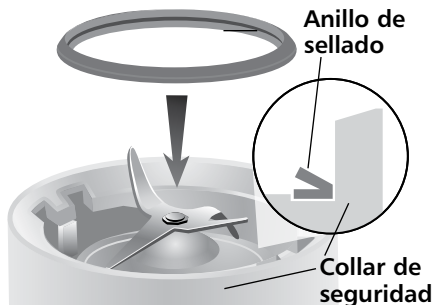
Antes de usar su licuadora por primera vez, limpie la base con un paño con agua tibia jabonosa, y después con un paño húmedo. Séquela con un paño suave. Lave la jarra, la tapa, el collar de seguridad y el ensamblaje de cuchillas con agua tibia jabonosa (vea "Cuidado y limpieza"). Enjuague las partes y séquelas con un paño.

Ensamblaje de la licuadora

1. Coloque el collar de seguridad con el ensamblaje de cuchillas apuntando hacia arriba sobre una superficie sólida.



2. Coloque el anillo de sellado, con el lado plano hacia abajo, alrededor de la cuchilla y métalo en la muesca del collar de seguridad.



NOTA: Para un fácil ensamblaje del vaso y del collar, usted puede sumergir la empaquetadura en agua antes de colocarla en el collar. Una empaquetadura húmeda hace que sea más fácil fijar el vaso de vidrio al collar.



3. Alinee las lengüetas de la jarra con las ranuras del collar de seguridad.

Preparación de la licuadora para su uso

- Presione hacia abajo y gire la jarra hacia la derecha, dando aproximadamente $\frac{1}{4}$ de giro, hasta que escuche dos clics.



- Ajuste la longitud del cable de corriente de la licuadora.



- Coloque el ensamblaje de la jarra en la base de la licuadora.



NOTA: Cuando está colocado correctamente, el ensamblaje de la jarra descansa completamente sobre la base de la licuadora. Si no es así, repita los pasos 3 y 4.



- Ponga la tapa sobre la jarra.

⚠ ADVERTENCIA



Peligro de Choque Eléctrico

Conecte a un contacto de pared de conexión a tierra de 3 terminales.

No quite la terminal de conexión a tierra.

No use un adaptador.

No use un cable eléctrico de extensión.

No seguir estas instrucciones puede ocasionar la muerte, incendio o choque eléctrico.

- Conecte el cable de corriente a un tomacorriente de tres entradas con conexión a tierra. La licuadora está lista para funcionar.
- Antes de quitar la jarra de la base, siempre pulse OFF y desconecte el cable de corriente.

Uso de la licuadora

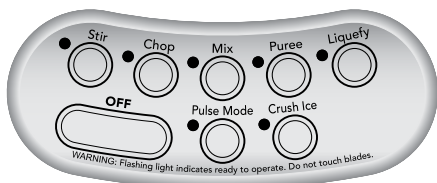
Antes de usar

NOTA: Cuando la licuadora está encendida o la luz indicadora del MODO DE PULSO está parpadeando:

- No interfiera con el movimiento de las cuchillas
- No quite la tapa de la jarra

Operación de la licuadora

La Licuadora KitchenAid® tiene cinco velocidades: REVOLVER, PICAR, MEZCLAR, PURÉ y LICUAR. Además, tiene la función para PICAR HIELO y MODO DE PULSO.



1. Con el conveniente modo de operación en un solo paso, esta unidad sólo funciona cuando se pulsa uno de los botones de selección de velocidad.
2. Antes de operar la licuadora, asegúrese de que la jarra esté bien sujeta en el collar de seguridad y que el ensamblaje esté bien colocado en la base de la licuadora.



NOTA: Si hay un espacio entre el collar de seguridad y la base, es posible que la jarra no esté bien sujeta al collar de seguridad o que el ensamblaje no esté bien colocado en la base de la licuadora. Para mayores instrucciones, vea "Ensamblaje de la licuadora".

3. Coloque los ingredientes en la jarra y ponga firmemente la tapa.
4. Pulse el botón de velocidad que desea para que la licuadora opere

continuamente a dicha velocidad. La luz roja sobre el botón de velocidad escogido se mantendrá encendida. Puede cambiar de función sin necesidad de detener la licuadora, pulsando un botón de velocidad distinto.

IMPORTANTE: Si va a licuar alimentos o líquidos calientes, quite la taza para ingredientes del centro. Opere sólo en la velocidad REVOLVER.

5. Para apagar la licuadora, pulse OFF. El botón OFF detendrá cualquier opción de velocidad y, al mismo tiempo, desactivará la licuadora.
6. Antes de quitar la jarra, desconecte el cable de corriente.

PICAR HIELO

La licuadora KitchenAid® ofrece una función para PICAR HIELO. Cuando selecciona esta función, la licuadora se activa a intervalos escalonados a la velocidad óptima para picar hielo u otros ingredientes.

1. Antes de operar la licuadora, asegúrese de que la jarra esté bien colocada en la base de la licuadora.

NOTA: Si queda un espacio entre el collar de seguridad y la base, es posible que la jarra no esté bien sujeta al collar de seguridad o que el collar no esté bien colocado en la base de la licuadora. Para mayores instrucciones, vea "Ensamblaje de la licuadora".

2. Coloque los ingredientes en la jarra y ponga firmemente la tapa.
3. Pulse PICAR HIELO. La luz indicadora permanecerá encendida. La licuadora se activará a intervalos escalonados.



4. Para detener la función para PICAR HIELO, pulse OFF. La licuadora ahora está lista para funcionar en modo continuo.
5. Antes de quitar la jarra, desconecte el cable de corriente.

Continúa en la página siguiente

Uso del la licuadora

MODO DE PULSO

La licuadora KitchenAid® ofrece la función MODO DE PULSO, que puede utilizar con cualquiera de las velocidades.

NOTA: EL MODO DE PULSO no funciona con la función PARA PICAR HIELO.

1. Antes de operar la licuadora, asegúrese de que la jarra esté bien colocada en la base de la licuadora.

NOTA: Si queda un espacio entre el collar de seguridad y la base, es posible que la jarra no esté bien sujeta al collar de seguridad o que el collar no esté bien colocado en la base de la licuadora. Para mayores instrucciones, vea "Ensamblaje de la licuadora".

2. Coloque los ingredientes en la jarra y ponga firmemente la tapa.
3. Oprima MODO DE PULSO. La luz indicadora del botón parpadeará para indicar que las cinco velocidades están en MODO DE PULSO.



4. Seleccione un botón de velocidad. Púlselo y manténgalo presionado durante el tiempo que estime conveniente. Tanto los indicadores del botón de velocidad como del MODO DE PULSO se mantendrán encendidos mientras mantenga presionado el botón de velocidad escogido. Cuando suelte el botón, el licuado se detendrá, pero la licuadora continuará en MODO DE PULSO y el indicador del MODO DE PULSO volverá a parpadear. Para pulsar nuevamente o cambiar otra velocidad,

simplemente pulse y mantenga presionado el botón de la velocidad deseada.



5. Para desactivar la función MODO DE PULSO, pulse OFF. La licuadora ahora está lista para funcionar en modo continuo.
6. Antes de quitar la jarra, desconecte el cable de corriente.

Taza para ingredientes

La taza para ingredientes de 2 oz. (60 ml) sirve para medir y agregar ingredientes a la jarra. Quite la taza y agregue los ingredientes en las velocidades REVOLVER, PICAR o MEZCLAR. Cuando opere a velocidades más altas, con la jarra llena o con contenidos calientes, detenga la licuadora y después agregue los ingredientes.



Característica de licuado Soft Start®

La característica de licuado Soft Start® hace que la licuadora arranque automáticamente a una velocidad menor que ayuda a llevar los ingredientes hacia las cuchillas, y después aumenta rápidamente hasta la velocidad seleccionada para un desempeño óptimo.

NOTA: La característica de licuado Soft Start® sólo funciona cuando se selecciona una velocidad desde el modo OFF y no funciona con el MODO DE PULSO ni con la función para PICAR HIELO.

Guía para el control de la velocidad

Producto	Velocidad	Producto	Velocidad
Bebida helada licuada	Licuar	Bebida a base de leche helada	Licuar
Tarta de queso	Licuar	Ensalada de carne para relleno de sándwich	Picar en modo de pulso
Frutas picadas.	Revolver en modo de pulso	Mousse.	Licuar
Verduras picadas.	Revolver en modo de pulso	Avena.	Puré
Crema para untar a base de queso.	Revolver	Mezcla para panqueques	Mezclar
Sopa de crema	Revolver	Pesto.	Picar
Hielo picado/ en trozos.	Picar hielo	Comida para bebés/ puré de frutas.	Puré
Salsa.	Revolver	Carne molida/puré de carne para bebés	Puré
Frutas frescas picadas finamente.	Picar hielo	Puré de verduras/ Puré de verduras para bebés	Puré
Verduras frescas picadas finamente	Licuar	Salsa a base de verduras.	Revolver
Fruta troceada congelada (descongele levemente hasta que pueda separarla con la punta de un cuchillo)	Picar hielo	Aderezo para ensaladas	Mezclar
Bebida helada a base de yogur	Licuar	Cubierta salada de migajas	Picar en modo de pulso
Jugo de frutas a base de jugo concentrado.	Mezclar	Bebida a base de sorbete.	Licuar
Bebida a base de frutas (espesa)	Revolver	Queso ricota o requesón cremoso	Mezclar
Bebida a base de frutas (poco espesa)	Licuar	Cubierta de streusel	Picar
Salsa a base de frutas	Revolver	Cubierta dulce de migajas	Picar en modo de pulso
Queso duro rallado.	Licuar	Cubierta dulce crujiente	Picar en modo de pulso
Salsa de carne.	Mezclar	Mezcla para waffles.	Mezclar
		Salsa blanca	Revolver

Consejo - Procese hasta una cubetera estándar de hielo o de 12 a 14 cubos de hielo estándar por vez. El revolver de vez en cuando con una espátula será útil sólo cuando la licuadora esté en OFF. La función TRITURAR HIELO se ha optimizado para triturar y picar hielo sin agregar ningún ingrediente líquido.

Cuidado y limpieza

La jarra, el collar de seguridad y la cuchilla de la licuadora pueden limpiarse fácilmente en forma individual o en conjunto, sin necesidad de desarmarlos.

- Limpie minuciosamente la licuadora después de cada uso
- No sumerja la base o el cable de la licuadora en agua
- No use limpiadores abrasivos ni estropajos

Limpieza de componentes individuales

1. Levante el ensamblaje de la jarra con un movimiento recto para separarlo de la base de la licuadora. Después, mientras sostiene el collar de seguridad, gire la jarra a la izquierda hasta que oiga dos clics, para separar el collar de seguridad y el ensamblaje cuchillas, y el anillo de sellado de la jarra. Lave los componentes con agua jabonosa. Enjuáguelos y séquelos con un paño.

NOTA: La jarra puede ponerse en la cesta inferior de un lavavajillas automático. La tapa, la taza para ingredientes, el collar de seguridad y el ensamblaje de cuchillas, y el anillo de sellado pueden colocarse en la cesta superior. Para obtener mejores resultados, se recomienda lavar a mano.



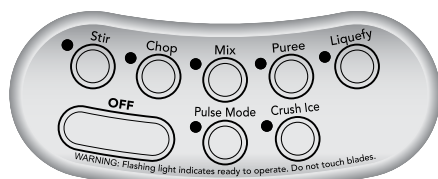
2. Limpie la base y el cable de la licuadora con un paño empapado en agua tibia jabonosa; limpie con un paño húmedo y seque con un paño suave.

Limpieza sin desensamblar

1. Coloque la jarra en la base de la licuadora, llénela hasta la mitad con agua tibia (no caliente) y agregue 1 ó 2 gotas de detergente líquido para platos. Coloque la tapa en la jarra, pulse a opción de velocidad REVOLVER y haga funcionar la licuadora durante 5 a 10 segundos. Saque la jarra y vacíe el contenido. Enjuague con agua tibia hasta que esté limpia.
2. Para limpiar la tapa y la taza para ingredientes, lave con agua tibia jabonosa y después enjuague y seque completamente.
3. Limpie la base y el cable de la licuadora con un paño humedecido en agua tibia jabonosa; limpie con un paño húmedo y seque con un paño suave.

Resolución de problemas

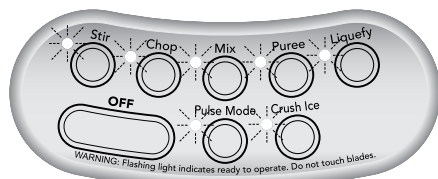
La licuadora no funciona cuando se selecciona una opción:



No hay ninguna luz indicadora encendida.

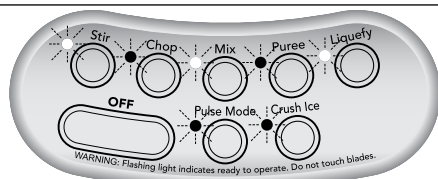
Verifique que la licuadora esté conectada a un tomacorriente de tres entradas con conexión a tierra. Si lo está, pulse OFF y desconecte la licuadora. Vuelva a conectarla en el mismo tomacorriente. Si la licuadora sigue sin funcionar, verifique el fusible o interruptor automático del circuito eléctrico al que está conectada la licuadora y asegúrese de que el circuito esté cerrado.

La licuadora se detiene mientras licua:



Todas las luces indicadoras están parpadeando al mismo tiempo.

Es posible que la licuadora esté sobrecargada. Si la licuadora se sobrecarga al mezclar ingredientes pesados, se apagará automáticamente para evitar que se dañe el motor. Pulse OFF para restablecer la licuadora y desconecte el cable de corriente. Retire la jarra de la base y divida los contenidos en porciones más pequeñas. También puede disminuir la carga de la licuadora agregando líquido a los ingredientes.



Todas las luces indicadoras están parpadeando en forma alternada.

Es posible que la licuadora esté atascada. Si la licuadora se atasca, ésta dejará de funcionar para evitar que se dañe el motor. Pulse OFF para restablecer la licuadora y desconecte el cable de corriente. Retire la jarra de la base y con una espátula, libere las cuchillas, ya sea separando o quitando el contenido del fondo de la jarra.

La licuadora enciende, pero las cuchillas no giran:



La jarra no está sujeta correctamente en el collar de seguridad, evitando que los acopladores se enganchen. Retire la jarra de la base y sujétela completamente al collar. Presione hacia abajo y gire la jarra hacia la derecha dentro del collar de seguridad hasta que escuche el segundo clic. Esto hará que el ensamblaje de la jarra quede enganchado en el acoplador. Vea las instrucciones acerca de cómo ensamblar la licuadora.

Si no se puede resolver el problema mediante los pasos proporcionados en esta sección, póngase en contacto con KitchenAid o con un Centro de Servicio Autorizado de KitchenAid.

EE. UU/Puerto Rico:
1-800-541-6390

Canadá:
1-800-807-6777

México:
01-800-024-17-17 (JV Distribuciones)
01-800-902-31-00 (Industrias Birtman)

Para obtener más detalles, consulte la sección de Garantía y Servicio KitchenAid. No devuelva la licuadora a la tienda donde la compró; ellos no brindan el servicio técnico.

Consejos para licuar

Consejos rápidos

- Para obtener una textura más suave, licue con la función de PICAR HIELO si está preparando bebidas con hielo.
- Los cubos de hielo más pequeños pueden triturarse o picarse más rápidamente que los cubos de hielo grandes.
- En esta jarra de la licuadora puede agregar una mayor cantidad de alimentos que las que podría agregar en otras licuadoras: puede agregar de 2 a 3 tazas (475 a 710 ml) a la vez en lugar de porciones de 1 taza (235 ml).
- Para la mayoría de las mezclas de ingredientes, comience el proceso de licuado en REVOLVER para combinar completamente los ingredientes. Luego aumente la velocidad si es necesario.
- Asegúrese de mantener la tapa en la jarra mientras licua.
- Si desea, quite la taza para ingredientes de la jarra para agregar líquidos o cubos de hielo mientras la licuadora está funcionando en las velocidades REVOLVER, PICAR o MEZCLAR.
- Cuando opere a velocidades más altas, con la jarra llena o con ingredientes calientes, detenga la licuadora y después agregue los ingredientes.
- Detenga la licuadora antes de meter utensilios en la jarra. Use una espátula de goma para mezclar los ingredientes solo cuando la licuadora está apagada. Para evitar dañar los utensilios o las cuchillas de la licuadora, no utilice ningún utensilio, incluidas espátulas, en la jarra mientras el motor está funcionando.
- Si es posible, deje enfriar los alimentos calientes antes de licuarlos. Comience el licuado de alimentos calientes en la velocidad REVOLVER. Aumente la velocidad si es necesario.
- Quite la taza para ingredientes del centro cuando mezcle líquidos calientes y opere sólo en la velocidad REVOLVER. No ponga la mano descubierta sobre la tapa cuando procese líquidos calientes.
- Detenga la licuadora y compruebe la consistencia de los alimentos después de algunos segundos para evitar que se pasen.

Consejos prácticos para...

Reconstituir jugos congelados: para una lata de concentrado de jugo de naranja de 6 oz. (175 ml), combine el jugo y la cantidad correcta de agua en la jarra. Tape y licue en velocidad MEZCLAR durante 10 a 15 segundos, hasta que se haya combinado completamente.

Para una lata de 12 oz. (355 ml), combine el jugo y 1 lata de agua en la jarra. Tape y licue en modo MEZCLAR durante 20 a 30 segundos, hasta que se haya combinado completamente. Revuelva con otras dos latas de agua.

Disolver gelatina de sabores: vierta agua hirviendo en la jarra; agregue la gelatina. Retire la taza para ingredientes central y licue en velocidad REVOLVER durante 10 a 30 segundos, hasta que la gelatina se disuelva. Agregue otros ingredientes.

Preparar migajas de galletas saladas y galletas dulces: rompa las galletas grandes en trozos de aproximadamente 1½ pulgada (3.75 cm) de diámetro. Use las galletas más pequeñas tal cual. Colóquelas en la jarra. En MODO DE PULSO, tape y licue en velocidad PICAR, pulsando unas cuantas veces, durante aproximadamente 3 segundos cada vez, hasta que obtenga la consistencia deseada. Use las migajas para preparar una cubierta rápida para yogures helados, budines o compota de fruta.

Para preparar migajas más finas para tartas y cortezas de postres, rompa las galletas saladas o galletas dulces en trozos de aproximadamente 1½ pulgadas (3.75 cm) de diámetro y colóquelas en la jarra. Tape y licue en velocidad LICUAR en MODO DE PULSO, pulsando unas cuantas veces, durante 20 a 30 segundos, hasta que obtenga la consistencia deseada.

Preparar migajas de galletas saladas: siga el procedimiento para las galletas. Use como cubierta o como ingrediente en guisos y platos de verduras.

Consejos para licuar

Preparar migajas de pan: parta el pan en trozos de aproximadamente 1½ pulgadas (3.75 cm) de diámetro. Siga el procedimiento para las galletas. Use como cubierta o como ingrediente en guisos y platos de verdura.

Picar frutas y verduras: coloque 2 tazas (475 ml) de frutas cocidas o en conserva en la jarra. Agregue de 2 a 4 cucharadas (30 a 60 ml) de jugo de fruta o agua por cada taza (235 ml) de fruta. Tape y licue en modo PURÉ durante unos 5 a 10 segundos.

Puré de frutas: coloque 2 tazas (475 ml) de frutas cocidas o en conserva en la jarra. Agregue de 2 a 4 cucharadas (30 a 60 ml) de jugo de fruta o agua por cada taza (235 ml) de fruta. Tape y licue en modo PURÉ durante unos 5 a 10 segundos.

Puré de verduras: coloque 2 tazas (475 ml) de verduras cocidas o en conserva en la jarra. Agregue de 2 a 4 cucharadas (30 a 60 ml) de caldo, agua o leche por cada taza (235 ml) de verduras. Tape y licue en modo PURÉ durante unos 10 a 20 segundos.

Puré de carne: coloque trozos de carne tierna cocida en la jarra. Agregue de 3 a 4 cucharadas (45 a 60 ml) de caldo, agua o leche por cada taza (235 ml) de carne. Tape y licue en modo REVOLVER durante 10 segundos. Detenga la licuadora y raspe los lados internos de la jarra. Tape y mezcle en modo PURÉ durante otros 10 a 20 segundos.

Moler requesón o queso ricota: coloque el requesón o el queso ricota en la jarra. Tape y licue en modo MEZCLAR durante unos 25 a 35 segundos, hasta que esté homogéneo. Detenga la licuadora y raspe las orillas de la jarra según sea necesario. Si es necesario, agregue 1 cucharada (15 ml) de leche descremada por cada taza (235 ml) de requesón. Use como base para salsas o pastas bajas en grasas.

Combinar ingredientes líquidos para productos de pastelería: vierta los ingredientes líquidos en la jarra. Tape y licue en modo LICUAR durante unos 10 a 15 segundos hasta que esté bien mezclado. Vierta la mezcla líquida sobre los ingredientes secos y revuelva bien.

Eliminar grumos de salsas de carne: si la salsa de carne se pone grumosa, colóquela en la jarra. Tape y licue en modo MEZCLAR durante unos 5 a 10 segundos, hasta que esté homogénea.

Combinar harina con líquido para espesar: coloque harina y agua en la jarra. Tape y licue en modo REVOLVER durante unos 5 a 10 segundos, hasta que esté homogénea.

Preparar salsa blanca: coloque leche, harina y sal, si lo desea, en la jarra. Tape y licue en modo REVOLVER durante 5 a 10 segundos, hasta que esté bien mezclado. Vierta la mezcla en una cacerola y cocine como lo hace normalmente.

Preparar mezcla para panqueques o waffles a partir de mezclas: coloque la mezcla y los demás ingredientes en la jarra. Tape y licue en modo MEZCLAR durante 10 a 20 segundos, hasta que esté bien mezclado. Detenga la licuadora y raspe los lados internos de la jarra según sea necesario.

Rallar queso: corte queso muy frío en cubos de ½ a 1 pulgada (1.25 a 1.5 cm). Coloque hasta ½ taza (120 ml) de queso en la jarra. Tape y licue en modo LICUAR durante unos 5 a 10 segundos. En el caso de quesos duros, como el parmesano, déjelos que adquieran la temperatura ambiente y después licue en modo LICUAR durante unos 10 a 15 segundos.

Preparar avena para bebés: coloque copos de avena sin cocer en la jarra. En MODO DE PULSO, licue en velocidad MEZCLAR hasta que obtenga la consistencia deseada; alrededor de 5 pulsos, cada uno de 2 a 3 segundos. Cocine en forma normal.

Consejos para licuar

Preparar alimentos para bebé a partir de alimentos para adultos: coloque la comida preparada para adulto en la jarra. Tape y licue en modo REVOLVER aproximadamente 10 segundos. Después licue en modo PURÉ durante 10 a 30 segundos.

Lavar el vaso de la licuadora: llene la jarra con agua tibia hasta la mitad. Agregue algunas gotas de detergente líquido para platos. Tape y licue en modo REVOLVER durante 5 a 10 segundos hasta que las orillas estén limpias. Enjuague y seque. Si desea una limpieza completa, la jarra, la tapa, la taza para ingredientes, el collar de seguridad, el ensamblaje de cuchillas, y el anillo de sellado también pueden lavarse en un lavavajillas automático. Consulte la sección "Cuidado y limpieza".

Margarita

3/4 de taza (175 ml) de tequila

1/2 taza (120 ml) de licor de naranja

1/2 taza (120 ml) de jugo de lima

1/4 de taza (60 ml) de jarabe simple o 3 cucharadas (45 ml) de azúcar.

4 tazas (945 ml) de cubos de hielo.

Colocar los ingredientes en la jarra. Tapar y licuar en TRITURAR HIELO, de 15 a 20 pulsaciones o hasta que quede derretido.

Rinde: 6 porciones (3/4 de vaso [175 ml] por porción)

Cada porción: contiene aproximadamente 118 cal, 0 g de proteínas, 16 g de carbohidrato, 0 g de grasas total, 0 g de grasas saturadas, 0 mg colesterol, 6 mg de cloruro de sodio.

Jarabe simple

En una cacerola pequeña, mezclar azúcar y agua. Hervir de 2 a 4 minutos hasta que el azúcar se disuelva. Enfriar, tapar y refrigerar.

Rinde: aproximadamente 1 1/4 de vaso (295 ml).

Jarabe simple

1 taza (235 ml) de azúcar

1 taza (235 ml) de agua

Bebida burbujeante de arándano y piña

- 1 lata (12 oz. [355 ml]) de cóctel de jugo concentrado de arándano congelado
- 1 lata 8 oz. [235 ml]) de piña prensada, en jugo y sin escurrir
- 2 tazas (475 ml) de gaseosa sabor lima-limón fría

Colocar el concentrado de arándano y la piña en la jarra. Tapar y procesar en LICUAR 10 segundos aproximadamente o hasta que quede una mezcla suave. Añadir la gaseosa. Tapar y procesar en REVOLVER de 2 a 4 segundos, hasta que quede mezclado.

Rinde: 5 porciones (aproximadamente 1 vaso [235 ml] por porción).

Cada porción: contiene aproximadamente 171 cal, 0 g de proteínas, 44 g de carbohidrato, 0 g de grasa total, 0 g de grasas saturadas, 0 mg colesterol, 10 mg de cloruro de sodio.

Licudo de fresa y banana

- 1½ taza (355 ml) de suero de leche
- 1 taza (235 ml) de frutillas congeladas sin azúcar
- 1 taza (235 ml) de leche
- 3 bananas medianas cortadas en cuartos
- 3 cucharadas (45 ml) de mermelada de naranja

Colocar los ingredientes en la jarra. Tapar y procesar en LICUAR de 15 a 20 segundos o hasta que quede una mezcla suave.

Rinde: 5 porciones (1 vaso [235 ml.] por porción).

Cada porción: contiene aproximadamente 170 cal, 6 g de proteínas, 34 g de carbohidrato, 2,5 g de grasa total, 1,5 g de grasas saturadas, 10 mg colesterol, 90 mg de cloruro de sodio.

Ron con café moca

- 2 tazas (475 ml) de helado de chocolate
- ½ taza (120 ml) de café fuerte frío
- ½ taza (120 ml) de ron oscuro
- 4 cubos de hielo

Colocar los ingredientes en la jarra. Tapar y procesar en TRITURAR HIELO de 12 a 15 pulsaciones o hasta que quede una mezcla suave.

Rinde: 4 porciones (¾ de vaso [175 ml] por porción)

Cada porción: contiene aproximadamente 210 cal, 3 g de proteínas, 19 g de carbohidrato, 7 g de grasa total, 4,5 g de grasas saturadas, 20 mg colesterol, 50 mg de cloruro de sodio.

Sopa italiana de tomate y tortellini

- 2 cucharadas (30 ml) de aceite de oliva
 - 1/2 taza (120 ml) de cebolla picada
 - 1/2 taza (120 ml) de pimiento verde picado
 - 2 latas (14,5 oz [429 ml] cada una) de tomates italianos condimentados cortados en cubos sin escurrir
 - 1 cucharada (15 ml) de azúcar
 - 1/2 cucharadita (2 ml) de sal
 - 1/4 de cucharadita (1 ml) de semillas de hinojo
 - 1/8 de cucharadita (0,5 ml) de pimienta de Cayena
 - 1 lata (14 oz [415 ml]) de caldo de carne
 - 1 paquete (9 oz [265 ml]) de tortellini rellenos con queso refrigerados
- Si desea, mozzarella cortada en tiras*
- Si desea, perejil fresco picado*

En una cacerola grande, calentar el aceite de oliva a fuego medio. Agregar la cebolla y el pimiento verde. Cocinar de 3 a 5 minutos o hasta que queden blandos. Agregar los tomates, el azúcar, la sal, las semillas de hinojo y la pimienta de Cayena. Disminuir el fuego al mínimo, hacer hervir destapado a fuego lento de 15 a 20 minutos o hasta que quede espeso. Revolver ocasionalmente. Dejar enfriar 5 minutos.

Verter la mitad de la mezcla de tomate fría en la jarra. Tapar y procesar en REVOLVER durante 15 segundos aproximadamente. Agregar la mezcla de tomate restante. Tapar y procesar en REVOLVER durante 15 segundos aproximadamente. Procesar en LICUAR 10 segundos aproximadamente o hasta que quede una mezcla suave.

Volver a colocar la mezcla en la cacerola. Agregar el caldo. Dejar que hierva y agregar los tortellini. Disminuir el fuego al mínimo, hacer hervir destapado a fuego lento, de 8 a 10 minutos o hasta que los tortellini estén tiernos. Revolver ocasionalmente.

Servir caliente, espolvoreado con mozzarella y perejil fresco, si se desea.

Rinde: 6 porciones (1 vaso [235 ml] cada porción).

Cada porción: contiene aproximadamente 250 cal, 8 g de proteínas, 35 g de carbohidrato, 8 g de grasa total, 2,5 g de grasas saturadas, 20 mg colesterol, 1,100 mg de cloruro de sodio.

Panqueques y salsa de arándano

Salsa

- 1/4 de taza (60 ml) de azúcar*
- 2 cucharaditas (10 ml) de maicena*
- 2/3 de taza (160 ml) de agua*
- 1/2 cucharadita (2 ml) de cáscara de limón rayada*
- 2 tazas (475 ml) de arándanos frescos o congelados (no descongelarlos)*

Panqueques

- 2 huevos*
- 2 tazas (475 ml) de suero de leche*
- 2 cucharadas (30 ml) de aceite vegetal*
- 1/2 cucharadita (2 ml) de cáscara de limón rayada*
- 2 1/2 tazas (535 ml) de harina común*
- 2 cucharadas (30 ml) de azúcar*
- 1 cucharadita (5 ml) de polvo de hornear*
- 1 cucharadita (5 ml) de bicarbonato de sodio*
- 1/2 cucharadita (2 ml) de sal*
- 1/4 de cucharadita (1 ml) de nuez moscada*
- 1 taza (235 ml) de arándanos frescos o congelados (no descongelarlos)*

Colocar los ingredientes de la salsa en una cacerola. Cocinar a fuego medio hasta que la mezcla se espese, revolviendo constantemente. Dejar enfriar 5 minutos. Verter la mezcla en la jarra. Tapar y procesar en REVOLVER durante 5 segundos aproximadamente y luego, pase la espátula retirando el contenido de los lados de la jarra si es necesario. Procesar en MEZCLAR 10 segundos aproximadamente o hasta que quede una mezcla suave. Verter en un recipiente para servir. Enjuagar la jarra.

Colocar los huevos en la jarra. Tapar y procesar en REVOLVER durante 5 segundos aproximadamente. Agregar el suero de la leche, el aceite y la cáscara del limón. Procesar en MEZCLAR durante 5 segundos aproximadamente. Agregar la harina, el azúcar, el polvo de hornear, el bicarbonato de sodio, la sal y la nuez moscada. Utilizando la función MODO DE PULSO, procesar en MEZCLAR pulsando 5 veces, 2 ó 3 segundos cada vez o hasta que los ingredientes secos se humedezcan. Revuelva los arándanos a mano suavemente.

Calentar una plancha antiadherente a fuego medio (si no es antiadherente, engrasarla). Para cada panqueque, verter apenas 1/4 de taza (60 ml) de la mezcla sobre la plancha. Revolver la mezcla ocasionalmente para distribuir los arándanos. Cocinar 1 ó 2 minutos hasta que se formen burbujas en la superficie y los bordes se sequen. Voltar y cocinar 1 ó 2 minutos hasta que el lado inferior adquiera un color tostado. Servir con salsa tibia de arándanos.

Rinde: 8 porciones aproximadamente (panqueques de 2 a 4 pulgadas [10 cm] y 1/4 de taza (60 ml) de salsa por porción).

Cada porción: contiene aproximadamente 280 cal, 8 g de proteínas, 48 g de carbohidrato, 6 g de grasa total, 1 g de grasas saturadas, 55 mg colesterol, 280 mg de cloruro de sodio.

Aderezo de vinagre de frambuesa

- 1 taza (235 ml) de frambuesas frescas o congeladas. ya descongeladas.
- 2 cucharadas (30 ml) de azúcar
- 3 cucharadas (46 ml) de vinagre de frambuesa.
- 2 cucharadas (30 ml) de aceite vegetal

Colocar los ingredientes en la jarra. Tapar y procesar en REVOLVER durante 15 segundos aproximadamente y luego, pase la espátula retirando el contenido de los lados de la jarra si es necesario. Procesar en LICUAR de 10 a 15 segundos o hasta que quede una mezcla suave. Servir sobre ensaladas verdes ya aderezadas o ensaladas de frutas. Guardar en el refrigerador.

Rinde: 6 porciones (2 cucharadas [10 ml] por porción).

Cada porción: contiene aproximadamente 70 cal, 0 g de proteínas, 7 g de carbohidrato, 4,5 g de grasa total, 0 g de grasas saturadas, 0 mg colesterol, 0 mg de cloruro de sodio.

Copa de chocolate de Crème

- 1 taza (235 ml) de trocitos de chocolate semi dulce
- $\frac{1}{4}$ de taza (60 ml) de algún sustituto del huevo o 1 huevo pasteurizado batido
- $\frac{1}{2}$ cucharadita (2 ml) de vainilla
- $\frac{3}{4}$ de taza (175 ml) de "half-and-half" (mezcla de crema y leche) o crema batida azucarada (opcional)

Colocar en la jarra los trocitos de chocolate, el sustituto del huevo y la vainilla. Calentar la "half-and-half" hasta que se formen burbujas alrededor del borde. Verter sobre los trocitos de chocolate. Tapar y procesar en LICUAR de 20 a 25 segundos o hasta que los trocitos de chocolate se derritan y la mezcla esté suave. Raspar los lados de la jarra si es necesario.

Verter en copas pequeñas. Refrigerar de 4 a 6 horas, hasta que quede firme. Se puede servir con crema de leche.

Rinde: 4 porciones ($\frac{1}{2}$ taza [120 ml] por porción).

Cada porción: contiene aproximadamente 350 cal, 7 g de proteínas, 38 g de carbohidrato, 22 g de grasa total, 13 g de grasas saturadas, 15 mg colesterol, 45 mg de cloruro de sodio.

Malteada de frutas frescas

- 2 tazas (475 ml) de leche
- $1\frac{1}{2}$ tazas (355 ml) de helado de vainilla
- 3 tazas (710 ml) de duraznos, fresas o cualquier otra fruta* fresca cortada en rodajas
- 2 cucharadas (30 ml) de azúcar impalpable (opcional)

Colocar los ingredientes en la jarra. Tapar y procesar en LICUAR de 10 a 15 segundos o hasta que quede una mezcla suave.

Rinde: 5 porciones (aproximadamente 1 vaso [235 ml] por porción).

*En lugar de duraznos o fresas se pueden utilizar tres tazas (710 ml) de su fruta preferida congelada, levemente descongelada.

Cada porción: contiene aproximadamente 170 cal, 6 g de proteínas, 24 g de carbohidrato, 7 g de grasa total, 4 g de grasas saturadas, 25 mg colesterol, 70 mg de cloruro de sodio.

Garantía de la licuadora KitchenAid®

Duración de la garantía:	KitchenAid pagará por:	KitchenAid no pagará por:
<p>50 estados de los Estados Unidos, el distrito de Columbia, Canadá y Puerto Rico: Un año de garantía limitada a partir de la fecha de compra.</p>	<p>50 estados de los Estados Unidos, el Distrito de Columbia y Canadá: El reemplazo de su licuadora sin molestias. Consulte la siguiente página para obtener los detalles acerca de cómo realizar el reemplazo. O En Puerto Rico: Los costos de los repuestos y del trabajo de reparación para corregir los defectos en los materiales y la mano de obra. El servicio técnico debe ser provisto por un Centro de servicio técnico de KitchenAid autorizado. Para solicitar un servicio técnico, vea las instrucciones en la siguiente página.</p>	<p>A. Las reparaciones cuando la licuadora sea utilizada con otro fin que no sea el uso doméstico normal de una familia. B. Los daños como consecuencia de un accidente, alteración, mal uso, abuso o uso con productos no aprobados por KitchenAid. C. Los costos de repuestos o de mano de obra de reparación para la licuadora cuando ha sido utilizada fuera del país donde fue comprada.</p>

LA EXENCIÓN DE RESPONSABILIDAD DE LAS GARANTÍAS IMPLÍCITAS; LAS GARANTÍAS IMPLÍCITAS DE LIMITACIÓN DE LOS RECURSOS

INCLUYENDO GARANTÍAS EN LA MEDIDA EN QUE SE APLIQUEN A LA COMERCIALIZACIÓN O IDONEIDAD CON UN FIN DETERMINADO, SON EXCLUIDAS EN LA MEDIDA PERMISIBLE POR LEY. CUALQUIER GARANTÍA IMPLÍCITA QUE PUEDA SER IMPUESTA POR LEY ESTÁ LIMITADA A UN AÑO O AL PERÍODO MÁS CORTO PERMITIDO POR LEY. ALGUNOS ESTADOS Y PROVINCIAS NO PERMITEN LIMITACIONES NI EXCLUSIONES EN RELACIÓN CON LA DURACIÓN DE UNA GARANTÍA IMPLÍCITA DE COMERCIALIZACIÓN O DE IDONEIDAD, DE MANERA TAL QUE LAS LIMITACIONES O EXCLUSIONES ANTERIORES PODRÍAN NO APLICARSE EN SU CASO.

SI ESTE PRODUCTO NO FUNCIONA SEGÚN SE GARANTIZA, EL ÚNICO Y EXCLUSIVO RECURSO DEL CLIENTE SERÁ LA REPARACIÓN O EL REEMPLAZO SEGÚN LOS TÉRMINOS Y LAS CONDICIONES DE ESTA GARANTÍA LIMITADA. KITCHENAID Y KITCHENAID CANADA NO ASUMEN NINGUNA RESPONSABILIDAD POR DAÑOS INCIDENTALES O CONSECUENTES. Esta garantía le otorga derechos legales específicos y es posible que usted goce de otros derechos que varían de estado en estado o de provincia en provincia.

Garantía de reemplazo sin molestias - en los 50 Estados Unidos y en el Distrito de Columbia

Confiamos tanto en que la calidad de nuestros productos cumple con los elevados estándares de KitchenAid, que si la licuadora presentara alguna falla durante el primer año, le enviaremos un reemplazo sin cargo idéntico o comparable a su domicilio y arreglaremos la devolución de la licuadora original. El reemplazo de su unidad también estará cubierto por nuestra garantía limitada de un año. Siga estas instrucciones para recibir este servicio de calidad.

Si su licuadora KitchenAid® presentara alguna falla durante el primer año, simplemente llame gratis a nuestro Centro de satisfacción

al cliente KitchenAid al 1-800-541-6390, de lunes a viernes de 8 a.m. a 8 p.m. (Hora del Este), o los sábados, de 10 a.m. a 5 p.m. Proporcione al asesor su dirección completa para el envío. (No se aceptan números de casillas postales).

Cuando reciba la unidad de reemplazo de su licuadora, utilice la caja y los materiales de embalaje para embalar la licuadora original. En la caja, escriba su nombre y dirección en un papel junto con la copia del comprobante de compra (recibo de compra, comprobante de la tarjeta de crédito, etc.)

Garantía de reemplazo sin molestias en Canadá

Confiamos tanto en que la calidad de nuestros productos cumple con los elevados estándares de KitchenAid que, si su Licuadora presentara alguna falla durante el primer año, KitchenAid Canada la reemplazará por una idéntica o comparable. El reemplazo de su unidad también estará cubierto por nuestra garantía limitada de un año. Siga estas instrucciones para recibir este servicio de calidad.

Si su licuadora KitchenAid® presentara alguna falla durante el primer año, lleve la licuadora o envíela por cobrar a un Centro de servicio técnico KitchenAid®

autorizado. En la caja, escriba su nombre y dirección postal en un papel junto con la copia el comprobante de compra (recibo de compra, comprobante de la tarjeta de crédito, etc.). La licuadora de reemplazo se le entregará de forma prepaga y asegurada. Si no queda satisfecho con el servicio, llame de manera gratuita a nuestro Centro de interacción con el cliente al 1-800-807-6777. O escríbanos a:

Customer eXperience Centre
KitchenAid Canada
Mississauga, ON L5N 0B7

Cómo ordenar el servicio de garantía en Puerto Rico

Su licuadora KitchenAid® tiene garantía de un año a partir de la fecha de compra. KitchenAid pagará las piezas de repuesto y los costos de la mano de obra para corregir defectos en los materiales y en la mano de obra. El servicio técnico debe ser provisto por un Centro de servicio técnico de KitchenAid autorizado.

Lleve la licuadora o envíela prepaga y asegurada a un Centro de servicio técnico de KitchenAid autorizado. Su licuadora reparada se le entregará de forma prepaga y asegurada. Si no queda satisfecho con el servicio, llame de manera gratuita al 1-800-541-6390 para averiguar la ubicación del Centro de servicio técnico más cercano.

Cómo ordenar el servicio luego de la expiración de la garantía – en todas las localidades

Antes de llamar al servicio técnico, revise la sección de Resolución de problemas.

Para información del servicio en los 50 estados de los Estados Unidos, Distrito de Columbia y Puerto Rico, llame de manera gratuita al 1-800-541-6390.

O escriba a:
Customer Satisfaction Center
KitchenAid Portable Appliances
P.O. Box 218
St. Joseph, MI 49085-0218

O contáctese con un Centro de servicio técnico autorizado cercano a su domicilio.

Para información del servicio en Canadá

llame de manera gratuita al 1-800-807-6777.

O escriba a:
Customer eXperience Centre
KitchenAid Canada
Mississauga, ON L5N 0B7

Cómo ordenar el servicio fuera de estas localidades

Consulte a su distribuidor de KitchenAid local o a la tienda donde compró la licuadora para obtener información acerca de cómo obtener el servicio técnico.

Para información del servicio en México,

llame de manera gratuita al 01-800-024-17-17 (JV Distribuciones)

O

01-800-902-31-00 (Industrias Birtman)

Como ordenar accesorios y piezas de repuesto

Para ordenar accesorios o piezas de repuesto para su licuadora en los 50 estados de los Estados Unidos, en el Distrito de Columbia y en Puerto Rico, llame gratis al 1-800-541-6390, de lunes a viernes, de 8 a.m. a 8 p.m. (Hora del Este) o los sábados, de 10 a.m. a 5 p.m.

O escriba a:
Customer Satisfaction Center,
KitchenAid Portable Appliances,
P.O. Box 218,
St. Joseph, MI 49085-0218

Para ordenar accesorios o piezas de repuesto para su licuadora en Canadá llame gratis al 1-800-807-6777.

O escriba a:
Customer eXperience Centre
KitchenAid Canada
Mississauga, ON L5N 0B7

Para ordenar accesorios o piezas de repuesto para su licuadora en México,

llame gratis al 01-800-024-17-17 (JV Distribuciones)

O

01-800-902-31-00 (Industrias Birtman)

® Registered trademark/Marque déposée/Marca registrada KitchenAid, U.S.A.

™ Trademark/Marque de commerce/Marca de comercio KitchenAid, U.S.A.

The shape of the stand mixer is a registered trademark/La forme du batteur sur socle est une marque déposée/
La forma de la batidora con base es una marca registrada KitchenAid, U.S.A.

KitchenAid Canada licensee in Canada/Emploi sous licence par KitchenAid Canada au Canada.

© 2009. All rights reserved. Tout droits réservés. Todos los derechos reservados.

