

PARTS LIST

for

KitchenAid®

7-CUP FOOD PROCESSOR

MODEL:

4KFP730WH2 (White)

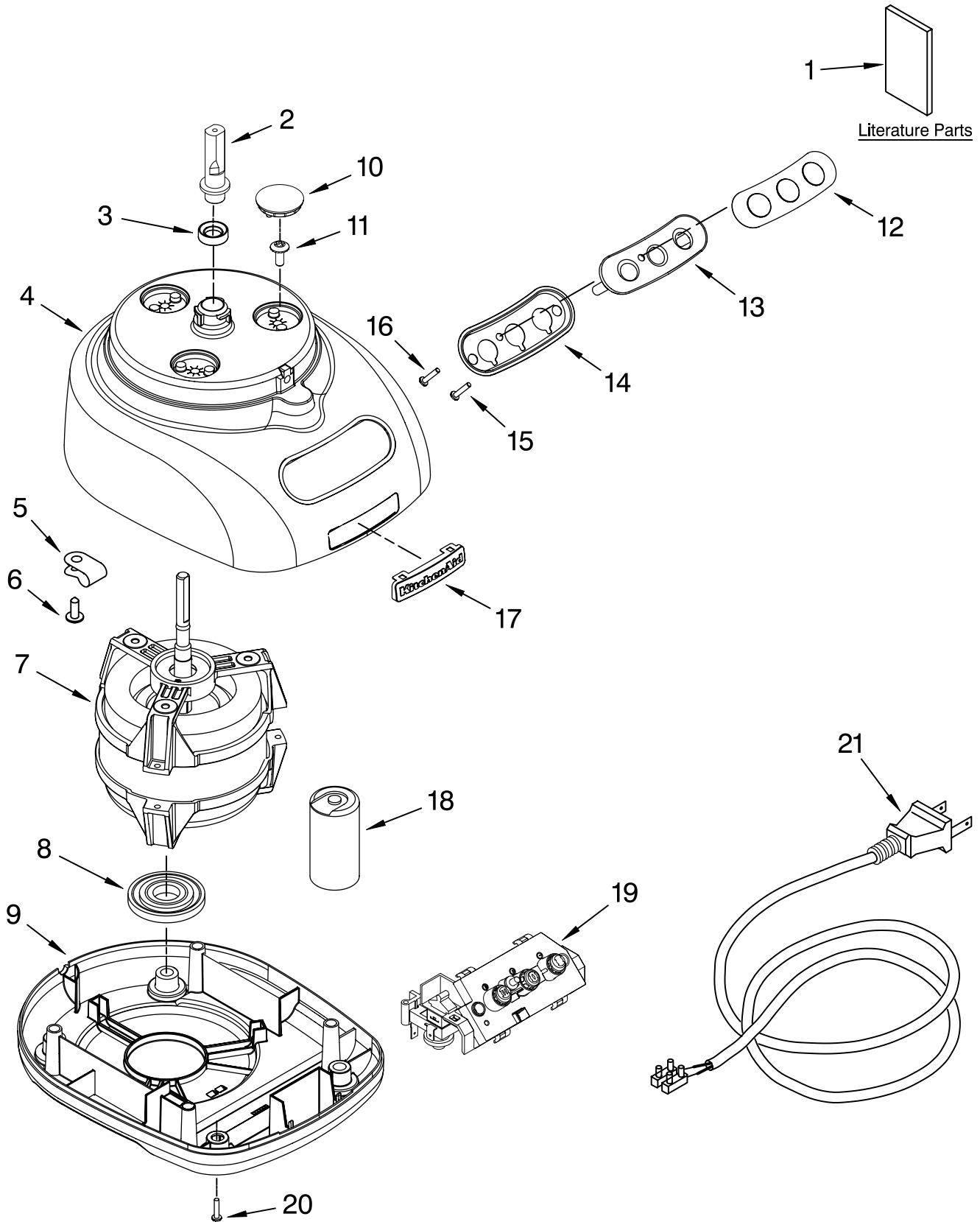


FOR CUSTOMER SATISFACTION ALWAYS USE
FACTORY SPECIFICATION PARTS



MOTOR AND HOUSING PARTS

FOR MODEL: 4KFP730_2



Literature Parts

FOR ORDERING INFORMATION REFER TO PARTS PRICE LIST

MOTOR AND HOUSING PARTS

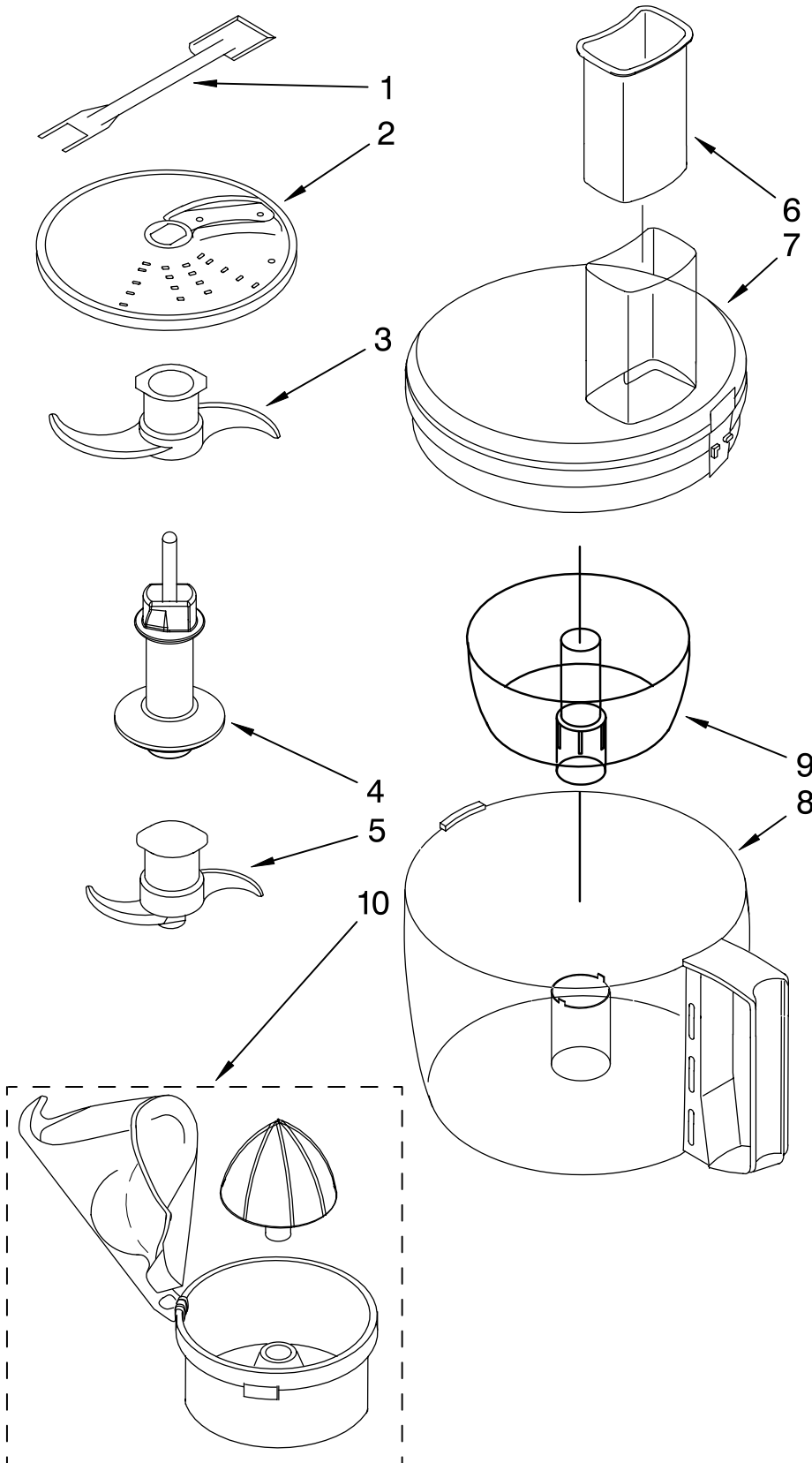
FOR MODEL: 4KFP730__2

Illus. No.	Part No.	DESCRIPTION
1		Literature Parts
	8212299	Use & Care Guide Trilingual
	8212419	Repair Parts List
2	8211816	Sleeve, Motor Shaft
3	8211817	Seal, Oil
4		Housing, Motor
	8211805	White
5	8211610	Clamp, Cable
6	8211871	Screw, Clamp
7	8212318	Motor
8	8212319	Grommet, Motor
9		Base, Housing
	8211801	White
10		Cover, Screw
	8212298	White
11	8211811	Screw, Motor Locking
12	8211878	Cover, Switch
13	8211884	Bezel, Switch Panel
14	8211887	Seal, Switch Panel
15	8211870	Screw, Torx
16	8211812	Screw, Switch Panel
17	8211876	Nameplate
18	8211608	Capacitor
19	8211879	Relay & Switch Assembly
20	8211772	Foot, Black
21		Cord, Power
	8211886	White

FOR ORDERING INFORMATION REFER TO PARTS PRICE LIST

ATTACHMENT PARTS

FOR MODEL: 4KFP730_2



Illus. No.	Part No.	DESCRIPTION
------------	----------	-------------

1	8211760	Spatula
2	8211897	Disc, Slicing 2mm & Grating 4mm
3	8211902	Mini Blade
4	8211900	Adapter, Shaft & Disc
5	8211903	Blade, Multi Pusher, Food
6	8211892	White
7	8211891	Cover, Work Bowl
8	8211906	White
9	8211905	Bowl, Mini
10	8212420	Extractor, Citrus

OPTIONAL PARTS NOT ILLUSTRATED

8211896 Lid, Mini Bowl

FOR ORDERING INFORMATION REFER TO PARTS PRICE LIST