

This Owner's Manual is provided and hosted by [Appliance Factory Parts](#).



KITCHENAID KFPW760WH0 Owner's Manual

[Shop genuine replacement parts for KITCHENAID
KFPW760WH0](#)

KitchenAid®

[Find Your KITCHENAID Small Appliance Parts - Select From 538 Models](#)

----- Manual continues below -----

KitchenAid®

12 CUP / 2.8 LITRE FOOD PROCESSOR

INSTRUCTIONS AND RECIPES
MODEL 4KFPW760 & 4KFPM770

ROBOT CULINAIRE DE 2,8 LITRES / 12 TASSES

GUIDE D'UTILISATION ET RECETTES
MODÈLES 4KFPW760 ET 4KFPM770



1-800-461-5681

Call our Consumer Interaction Centre
with questions or comments
Website: KitchenAid.ca

Des questions ? Des commentaires ?
Appelez notre Centre d'interaction
aux consommateurs.
Site Web : KitchenAid.ca



FOR THE WAY IT'S MADE®
BIEN PENSÉ. BIEN FABRIQUÉ®

Proof of Purchase & Product Registration

Always keep a copy of the sales receipt showing the date of purchase of your Food Processor. Proof of purchase will assure you of in-warranty service.

Before you use your Food Processor, please fill out and mail your product registration card

packed with the unit. This card will enable us to contact you in the unlikely event of a product safety notification. This card does not verify your warranty.

Please complete the following for your personal records:

Model Number _____

Serial Number _____

Date Purchased _____

Store Name _____

Table of Contents

INTRODUCTION

Product Registration Card	Inside Front Cover
Food Processor Safety	3
Important Safeguards	4
Electrical Requirements	5

FEATURES AND OPERATION

Food Processor Features	6
Preparing the Food Processor for Use	
Before First Use	8
Work Bowl Assembly	8
Multipurpose Blade & Dough Blade Assembly	9
Slicing & Shredding Disc Assembly	9
Mini Bowl Assembly	10
Chef's Bowl Assembly	10
Egg Whip Assembly & Use	11
Citrus Press Assembly & Use	11
Using the Food Processor	
Before Use	13
Food Pusher Interlock	13
Maximum Liquid Level	13
Turning the Food Processor On and Off	13
Using the Pulse Control	14
2-Piece Food Pusher	14
Disassembling the Food Processor	14

CARE AND CLEANING

Cleaning the Food Processor	16
Troubleshooting	17

Continued on next page

Table of Contents

FOOD PROCESSING TIPS

Using the Multipurpose Blade	18
Using a Slicing or Shredding Disc	19
Using the Dough Blade	20
Using the Egg Whip	20
Helpful Hints	21

RECIPES

Appetizers	23
Salads and Dressings	28
Soups and Sandwiches	32
Vegetables and Side Dishes	37
Main Dishes.....	41
Breads	46
Desserts.....	51

WARRANTY AND SERVICE INFORMATION

KitchenAid® Food Processor Warranty	57
How To Arrange For Warranty Service.....	57
How To Arrange For Out-Of-Warranty Service	58
Ordering Accessories and Replacement Parts	59

Food Processor Safety

Your safety and the safety of others are very important.

We have provided many important safety messages in this manual and on your appliance. Always read and obey all safety messages.



This is the safety alert symbol.

This symbol alerts you to potential hazards that can kill or hurt you and others.

All safety messages will follow the safety alert symbol and either the word "DANGER" or "WARNING." These words mean:



DANGER

You can be killed or seriously injured if you don't immediately follow instructions.



WARNING

You can be killed or seriously injured if you don't follow instructions.

All safety messages will tell you what the potential hazard is, tell you how to reduce the chance of injury, and tell you what can happen if the instructions are not followed.

IMPORTANT SAFEGUARDS

When using electrical appliances, basic safety precautions should always be followed, including the following:

1. Read all instructions.
2. To protect against risk of electrical shock do not put Food Processor in water or other liquid.
3. Close supervision is necessary when any appliance is used by or near children.
4. Unplug from the outlet when not in use, before putting on or taking off parts, and before cleaning.
5. Avoid contacting moving parts.
6. Do not operate any appliance with a damaged cord or plug, or after the appliance malfunctions, or is dropped or damaged in any manner. Return appliance to the nearest Authorized Service Facility for examination, repair, or electrical or mechanical adjustment.
7. The use of attachments not recommended or sold by the manufacturer may cause fire, electric shock or injury.
8. Do not use outdoors.
9. Do not let cord hang over edge of table or counter.
10. Keep hands and utensils away from moving blades or discs while processing food to reduce the risk of severe injury to persons or damage to the Food Processor. A scraper may be used but must be used only when the Food Processor is not running.
11. Blades are sharp. Handle carefully.
12. To reduce the risk of injury, never place cutting blade or discs on base without first putting bowl properly in place.
13. Be certain cover is securely locked in place before operating appliance.
14. Never feed food by hand. Always use the food pusher.
15. Do not attempt to defeat the cover interlock mechanism.
16. This product is designed for household use only.

SAVE THESE INSTRUCTIONS

Electrical Requirements

Model 4KFPM770:

Volts: 120 V.A.C. only
Hertz: 60 Hz

⚠ WARNING



Electrical Shock Hazard

Plug into a grounded 3 prong outlet.

Do not remove ground prong.

Do not use an adapter.

Do not use an extension cord.

Failure to follow these instructions can result in death, fire or electrical shock.

NOTE: Model 4KFPM770 has a 3 prong grounded plug. To reduce the risk of electrical shock, this plug will fit in an outlet only one way. If the plug does not fit in the outlet, contact a qualified electrician. Do not modify the plug in any way.

Do not use an extension cord. If the power supply cord is too short, have a qualified electrician or serviceman install an outlet near the appliance.

Model 4KFPW760:

Volts: 120 V.A.C. only
Hertz: 60 Hz

NOTE: Model 4KFPW760 has a polarized plug (one blade is wider than the other). To reduce the risk of electrical shock, this plug will fit in a polarized outlet only one way. If the plug does not fit fully in the outlet, reverse the plug. If it still does not fit, contact a qualified electrician. Do not modify the plug in any way.

Do not use an extension cord. If the power supply cord is too short, have a qualified electrician or serviceman install an outlet near the appliance.

Food Processor Features



Food Processor Features

Work Bowl Cover with Ultra Wide Mouth™ Feed Tube

One of the industry's largest, the Ultra Wide Mouth™ feed tube accommodates large items – like tomatoes, cucumbers, and potatoes – with a minimum of sectioning or slicing.

2-Piece Food Pusher

For smaller items, remove the small pusher from the central tube in the large pusher. The small pusher and feed tube make it easy to process herbs, nuts, single carrots and celery. The small pusher can also be used as a convenient 4 oz. (120 ml) measuring cup.

12-Cup (2.8 l) Work Bowl

The tough polycarbonate bowl provides capacity for large jobs.

Chef's Bowl

Place the 10-cup (2.4 l) Chef's Bowl inside the Work Bowl, and slice or shred a food item while keeping the Work Bowl clean for another ingredient.

Mini Bowl and Mini Blade

4-cup (945 ml) bowl and stainless steel blade are perfect for small chopping and mixing jobs.

Fine (2 mm) Slicing Disc

Disc produces approximately 1/16-inch (2 mm) slices of most foods, from delicate strawberries to partially frozen meats.

Medium (4 mm) Slicing Disc

Disc produces approximately 1/8-inch (4 mm) slices of most foods.

Medium (4 mm) Shredding Disc

Disc produces approximately 1/8-inch (4 mm) shreds of most firm fruits, vegetables, and cheese.

Disc Stem

Stem fits over the power shaft on the base and into the bottom of a slicing or shredding disc.

Stainless Steel Multipurpose Blade

Versatile blade chops, minces, blends, mixes, and emulsifies in a matter of seconds.

Dough Blade

The dough blade is specially designed for mixing and kneading yeast dough.

Egg Whip

The egg whip will quickly whip cream and egg whites for meringues, mousses, soufflés, and desserts.



Citrus Press

Press consists of a Strainer Basket, 2-Piece Cone, and Lever Arm. Use the removable outer cone for larger items, such as grapefruit, and the inner cone for lemons and limes.



Heavy-Duty Base

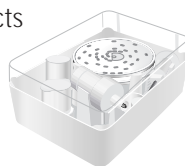
The base features the off, on, and pulse buttons along with the power shaft, which rotates the blades and discs.

Spatula/Cleaning Tool

Special shape facilitates food removal from bowls, discs, and blades.

Chef's Accessory Case

Stylish and durable slim-line case organizes and protects blades, discs, and accessories.



Preparing the Food Processor for Use

WARNING

Cut Hazard

Handle blades carefully.

Failure to do so can result in cuts.

Before First Use

Before using your Food Processor for the first time, wash the work bowl, work bowl cover, chef's bowl, mini bowl, feed tube pusher, discs, and blades either by hand or in the dishwasher (see "Cleaning the Food Processor" on page 16).

Work Bowl Assembly

1. Place the Food Processor base on a dry, level countertop with the controls facing forward. Do not plug in the unit until it is completely assembled.
2. With the handle just to the left of center, place the work bowl on the base, fitting the center opening over the power shaft.
3. Grasp the work bowl handle and turn the bowl to the right until it locks into position.



4. Insert the desired accessory into the work bowl. See pages 9–12 for accessory instructions.
5. Place the work bowl cover on the work bowl with the feed tube just to the left of the work bowl handle. Grasp the feed tube and turn the cover to the right until it locks into place.



NOTE: Do not attach the cover to the work bowl before the work bowl is locked on the base. Damage to the work bowl may result.

6. Fit the 2-piece food pusher into the feed tube.



Preparing the Food Processor for Use

WARNING



Electrical Shock Hazard

Plug into a grounded 3 prong outlet.

Do not remove ground prong.

Do not use an adapter.

Do not use an extension cord.

Failure to follow these instructions can result in death, fire or electrical shock.

7. Plug into a proper electrical outlet (see "Electrical Requirements" on page 5).

NOTE: Your Food Processor will not operate unless the work bowl and work bowl cover are properly locked on the base, and the pusher is inserted to the maximum fill line on the feed tube.

Do not remove the work bowl from the base without first removing the work bowl cover. Damage to the work bowl may result.

WARNING

Cut Hazard

Handle blades carefully.

Failure to do so can result in cuts.

Multipurpose Blade and Dough Blade Assembly

Place the blade on the power shaft. Rotate the blade so it falls into place on the shaft.



Slicing and Shredding Disc Assembly

1. Place the disc stem on the power shaft.



Continued on next page

Preparing the Food Processor for Use

WARNING

Cut Hazard

Handle blades carefully.

Failure to do so can result in cuts.

2. Fit the disc over the metal pin on the disc stem, then rotate the disc until it falls fully onto the stem.



Mini Bowl Assembly

1. Place the mini bowl inside the work bowl over the power shaft. Rotate the mini bowl until it falls into place. When properly seated in the work bowl, the mini bowl cannot be rotated.



2. Fit the mini blade on the power shaft. It may be necessary to rotate the blade until it falls into place.



The mini bowl can also be placed in the chef's bowl in a similar manner.

3. To remove the mini bowl after processing, lift the bowl using the two finger grips located along the top edge of the bowl.



Chef's Bowl Assembly

Place the chef's bowl inside the work bowl over the power shaft. Rotate the chef's bowl until it falls into place. When properly seated in the work bowl, the chef's bowl cannot be rotated.

The chef's bowl can only be used with the slicing and shredding discs – the multipurpose blade cannot be used. To remove the chef's bowl after processing, lift the bowl using the two finger grips located along the top edge of the bowl.

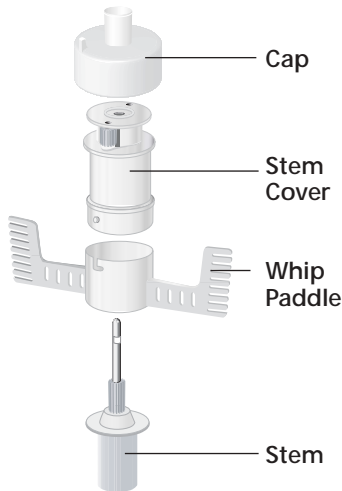
Preparing the Food Processor for Use

Egg Whip Assembly and Use

The egg whip is designed to whip egg whites or heavy cream to create toppings or soft meringues. For the best results, at least 1 cup (235 ml) of heavy cream or 3 egg whites should be whipped at a time. Whipping smaller quantities may not result in maximum volume.

To assemble:

The egg whip consists of 4 pieces – the egg whip stem, stem cover, whip paddle, and cap.



1. Place the egg-whip stem on the power shaft. Slowly turn the stem until it drops fully onto the shaft.
2. Align the L-shaped notch on the whip paddle with the small post on the stem cover, and slide the paddle onto the cover. Turn slightly to lock paddle.
3. Fit the stem cover and paddle over the egg whip stem. Push downward to engage the ridges of the stem with the gears of the paddle.
4. Fit the egg whip cap over the egg whip stem. Push downward to lock it into place.

5. Place the work bowl cover on the work bowl with the feed tube just to the left of the handle. Make sure the center pin of the egg whip fits into the center opening of the cover. Grasp the feed tube and turn the cover to the right to lock it into place. Insert the pusher into the feed tube. The egg whip is now ready to operate.
6. Press the On Button and whip ingredients to the desired texture and volume. Press the Off Button when finished.

To disassemble:

1. Unplug the base from the electrical outlet. Remove the work bowl cover with a clockwise turn.
2. Lift the egg whip assembly off the power shaft. Remove whipped ingredients from the work bowl.
3. Pull the cap from the egg whip assembly. Push downward on the stem pin to remove stem from the stem cover. Turn the egg whip paddle to unlock, and slide the paddle from the stem cover.

Citrus Press Assembly and Use

1. Position and lock the work bowl on the base.
2. Place the strainer basket in the bowl with the locking clip to the left of the work bowl handle.
3. Turn the basket counter-clockwise until the clip locks into the handle.



Continued on next page

Preparing the Food Processor for Use

- The 2-piece cone offers two sizes; choose the right size for the fruit you are juicing. Use the outer cone for grapefruit, oranges and other large fruits. Remove the outer cone to reveal a smaller inner cone that's perfect for lemons and limes.
- Open the lid and place the cone inside the strainer basket over the power shaft. It may be necessary to rotate the cone until it falls into place.



- Halve the fruit to be juiced.
- Place fruit half on cone.
- Close the lid of the strainer basket. Hold the lever arm down firmly with an open palm to maintain even pressure. Operate the citrus press only when the lever arm is in the down position, holding the fruit on the cone.



NOTE: Use of the citrus press without the clip-on lever arm is not recommended. If you do use it without the lever arm, remove the lever arm from the basket (see Step 13).

- Operate the citrus press by pressing the On Button or the Pulse Button.
- When juice is fully extracted, Press the Off Button.

NOTE: Do not exceed the maximum liquid level line on the work bowl, or juice will leak from the bowl.

- Unlock the strainer basket by turning it clockwise. Remove juiced fruit, cone, and strainer basket from the work bowl.
- Remove the work bowl from Food Processor and pour juice into desired container.
- To detach the clip-on lever arm from the strainer basket for thorough cleaning, pull the clip at the bottom of the basket away from the basket side and remove the lever-arm from the basket.
- When reattaching the lever arm to the strainer basket, make sure the tabs on the clip snap securely into a pair of holes in the bottom of the basket.

Using the Food Processor

⚠️ WARNING



Rotating Blade Hazard

Always use food pusher.

Keep fingers out of openings.

Keep away from children.

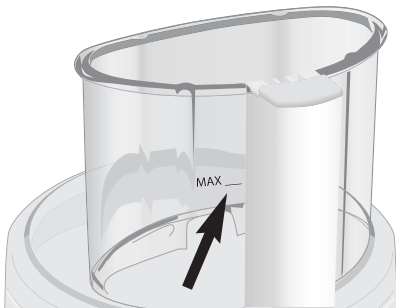
Failure to do so can result in amputation or cuts.

Before Use

Before operating the Food Processor, be sure the work bowl, blades, and work bowl cover are properly assembled on the Food Processor base (see "Preparing the Food Processor for Use" starting on page 8).

Food Pusher Interlock

The food pusher is part of the safety interlock system. The Food Processor will not run unless the pusher is inserted to the maximum fill line on the feed tube.



Maximum Liquid Level

This line on the work bowl indicates the maximum level of liquid that can be processed by the Food Processor.



Turning the Food Processor On and Off

1. To turn on the Food Processor, press the On Button. The unit will run continuously and the indicator light will glow.



2. To stop the Food Processor, press the Off Button. The indicator light will go out and an automatic brake will stop the action of the blade or disk within seconds.
3. Wait until the blade or disk comes to a complete stop before removing the work bowl cover. Be sure to turn off the Food Processor before removing the work bowl cover, or before unplugging the unit.

NOTE: If the unit fails to operate, make sure the work bowl and cover are properly locked on the base, and the food pusher is inserted to the maximum fill line on the feed tube (see "Preparing the Food Processor for Use" starting on page 8).

Using the Food Processor

WARNING



Rotating Blade Hazard

Always use food pusher.

Keep fingers out of openings.

Keep away from children.

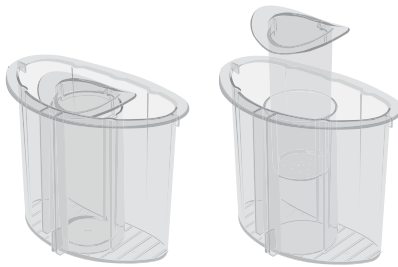
Failure to do so can result in amputation or cuts.

Using the Pulse Control

The pulse control allows precise control of the duration and frequency of processing. It's great for jobs which require a light touch. Just press and hold the Pulse Button to start processing, and release it to stop. The indicator light will glow each time the Pulse Button is pressed.

The 2-Piece Food Pusher

To slice or shred small items, insert the 2-piece food pusher into the feed tube, then turn the small center pusher clockwise to unlock and remove. Use the center feed tube and pusher to process small or slender items, or to add liquid while the Food Processor is running. When not using the small feed tube, lock the small pusher into place by turning it counter-clockwise.



Disassembling the Food Processor

WARNING

Cut Hazard

Handle blades carefully.

Failure to do so can result in cuts.

NOTE: If you have difficulty removing the pusher from the feed tube, it is likely that food particles have become lodged in the interlock system. To free the pusher, soak the work bowl cover in warm water or wash it in a dishwasher.

1. Turn the work bowl cover to the left and remove.



Disassembling the Food Processor

2. If using a disc, remove it before removing the bowl. Place two fingers under each side of the disc and lift it straight up. Remove the disc stem.



3. If using the mini bowl or chef's bowl, grasp and remove the bowl using the finger grips located along the top edge of the bowl.



4. Turn the work bowl to the left to unlock it from the base. Lift to remove.



5. The multipurpose blade can be removed from the work bowl before the contents are emptied. The blade can also be held in place as you remove food: grasp the work bowl from the bottom and place one finger through the center opening to grip the blade shaft. Then remove food from the bowl and blade with a spatula.



Cleaning the Food Processor



WARNING

Cut Hazard

Handle blades carefully.

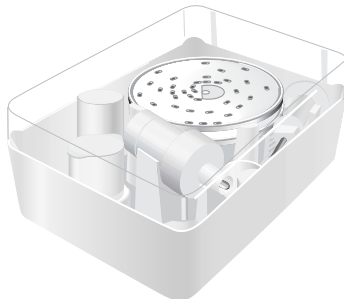
Failure to do so can result in cuts.

1. Press the Off Button and unplug the Food Processor before cleaning.
2. Wipe the base and cord with a warm, sudsy cloth, and wipe clean with a damp cloth. Dry with a soft cloth. Do not use abrasive cleansers or scouring pads.
3. All the other parts of the Food Processor are dishwasher safe. Be sure to load them away from exposed heating elements in the dishwasher. If washing the Food Processor parts by hand, avoid the use of abrasive cleansers or scouring pads. They may scratch or cloud the work bowl and cover. Thoroughly dry all parts after washing.

4. To prevent damage to the interlock system, always store the work bowl and work bowl cover in the unlocked position when not in use.



5. Wrap the power cord around the work bowl. Secure the plug by clipping it to the cord.
6. Disassembled discs, shafts, and blades should be stored in the provided storage case, and in a location out of the reach of children.



Troubleshooting

- **If your Food Processor should fail to operate, check the following:**

- Make sure the work bowl and work bowl cover are properly locked on the base, and the food pusher is inserted to the maximum fill line on the feed tube.
- See if the power cord is plugged into a proper electrical outlet (see “Electrical Requirements” on page 5). If it is, unplug the Food Processor, then plug it into the same outlet again. If the Food Processor still does not work, check the fuse or circuit breaker on the electrical circuit the Food Processor is connected to and make sure the circuit is closed.

- **If the Food Processor shuts off while it is running:**

- The Food Processor may be overheated. If the motor exceeds a certain temperature, it will automatically shut off to prevent damage. This should be an extremely rare occurrence. If it happens, press the Off Button and wait 15 minutes for the Food Processor to cool before resuming. If the Food Processor still refuses to run, wait an additional 15 minutes for the Food Processor to cool.

- **If you have difficulty removing the food pusher from the feed tube:**

- Food particles are probably lodged in the interlock system. To free the pusher, soak the work bowl cover in warm water or wash it in a dishwasher.

If the problem cannot be corrected with the steps in this section, see the KitchenAid Warranty and Service section on pages 57-58. Do not return the Food Processor to the retailer – they do not provide service.

For assistance throughout Canada call KitchenAid Consumer Interaction Centre toll-free 8:30 a.m. - 5:30 p.m. (EST): 1-800-461-5681 or write to:
Consumer Relations Centre
KitchenAid Canada
1901 Minnesota Court
Mississauga, ON L5N 3A7

Food Processing Tips



USING THE MULTIPURPOSE BLADE

To chop fresh fruits or vegetables:

Peel, core, and/or remove seeds. Cut food in 1 to 1½-inch (2.5 to 3.75 cm) pieces. Process food to desired size, using short pulses, 1 to 2 seconds each time. Scrape sides of bowl, if necessary.

To puree cooked fruits and vegetables (except potatoes):

Add ¼ cup (60 ml) liquid from recipe per cup of food. Process food, using short pulses, until finely chopped. Then process continuously until reaching desired texture. Scrape sides of bowl, if necessary.

To prepare mashed potatoes:

Insert chef's bowl into the work bowl. Using the shredding disc, shred hot, cooked potatoes. Remove the chef's bowl with potatoes. Place multipurpose blade in work bowl, and add shredded potatoes, softened butter, milk, and seasonings. Pulse 3 to 4 times, 2 to 3 seconds each time, until milk is absorbed and texture is smooth. Do not overprocess.

To chop dried (or sticky) fruits:

The food should be cold. Add ¼ cup (60 ml) flour from recipe per ½ cup (120 ml) dried fruit. Process fruit, using short pulses, until reaching desired texture.

To finely chop citrus peel:

With sharp knife, peel coloured portion (without white membrane) from citrus. Cut peel in small strips. Process until finely chopped.

To mince garlic or to chop fresh herbs or small quantities of vegetables:

With processor running, add food through the small feed tube. Process until chopped. For best results, make sure work bowl and herbs are very dry before chopping.

To chop nuts or make nut butters:

Process up to 3 cups (710 ml) of nuts to desired texture, using short pulses, 1 to 2 seconds each time. For a coarser texture, process smaller batches, pulsing 1 or 2 times, 1 to 2 seconds each time. Pulse more often for finer texture. For nut butters, process continuously until smooth. Store in refrigerator.

To chop cooked or raw meat, poultry or seafood:

The food should be very cold. Cut in 1-inch (2.5 cm) pieces. Process up to 1 pound (455 g) at a time to desired size, using short pulses, 1 to 2 seconds each time. Scrape sides of bowl, if necessary.

To make bread, cookie, or cracker crumbs:

Break food into 1½ to 2-inch (3.75 to 5 cm) pieces. Process until fine. For larger pieces, pulse 2 to 3 times, 1 to 2 seconds each time. Then process until fine.

To melt chocolate in a recipe:

Combine chocolate and sugar from recipe in work bowl. Process until finely chopped. Heat liquid from recipe. With processor running, pour hot liquid through the small feed tube. Process until smooth.

Food Processing Tips

To grate hard cheeses, such as Parmesan and Romano:

Never attempt to process cheese that cannot be pierced with the tip of a sharp knife. You can use the multi-purpose blade to grate hard cheeses. Cut cheese in 1-inch (2.5 cm) pieces. Place in work bowl. Process, using short pulses, until coarsely chopped. Process continuously until finely grated. Pieces of cheese can also be added through the small feed tube while the processor is running.



USING A SLICING OR SHREDDING DISC

NOTE: When cutting and packing food items in the Ultra Wide Mouth™ feed tube, do not exceed the maximum fill line. This will permit the pusher to engage the interlock and the unit to operate.

To cut julienne, or match stick, strips of vegetables and fruits:

Cut food to fit feed tube horizontally. Position food horizontally in feed tube. Process, using even pressure to make plank-like slices. Re-stack slices and position vertically or horizontally in feed tube. Process, using even pressure.



To slice or shred fruits or vegetables that are long and relatively small in diameter, such as celery, carrots, and bananas:

Cut food to fit feed tube vertically or horizontally, and pack feed tube securely to keep food positioned properly. Process using even pressure. Or use the small feed tube in the 2-piece food pusher. Position food vertically in the tube and use the small food pusher to process food.



To slice or shred fruits and vegetables that are round, such as onions, apples, and green peppers:

Peel, core, and/or remove seeds. Cut in halves or quarters to fit feed tube. Position in feed tube. Process, using even pressure.

To slice or shred fruits and vegetables that are small, such as strawberries, mushrooms, and radishes:

Position food vertically or horizontally in layers within the feed tube. Fill feed tube in order to keep food positioned properly, but do not exceed the maximum fill line. Process, using even pressure. Or use the small feed tube in the 2-piece food pusher. Position food vertically in the tube and use the small food pusher to process food.

To shred spinach and other leaves:

Stack leaves. Roll up and stand up in feed tube. Process, using even pressure.



Food Processing Tips

To slice uncooked meat or poultry, such as stir-fry meats:

Cut or roll food to fit feed tube. Wrap and freeze food until hard to the touch, 30 minutes to 2 hours, depending on thickness of food. Check to be sure you can still pierce food with the tip of a sharp knife. If not, allow to thaw slightly. Process, using even pressure.

To slice cooked meat or poultry, including salami, pepperoni, etc.:

Food should be very cold. Cut in pieces to fit feed tube. Process food using firm, even pressure.

To shred firm and soft cheeses:

Firm cheese should be very cold. For best results with soft cheeses, such as mozzarella, freeze 10 to 15 minutes before processing. Cut to fit feed tube. Process, using even pressure.



USING THE DOUGH BLADE

The dough blade is specially designed for mixing and kneading yeast dough quickly and thoroughly. For the best results, do not knead recipes which use more than 2-3 cups (475-710 ml) of flour.



USING THE EGG WHIP

To make soft egg white meringue:

Place 3 egg whites and ¼ teaspoon (1 ml) cream of tartar in work bowl fitted with egg whip. Process until foamy, about 30 to 45 seconds. With processor running, slowly add ½ cup (80 ml) sugar through the small feed tube. Process until stiff peaks form, about 2½ to 3 minutes. Stop processor as necessary to check texture of mixture.

To whip cream:

Place heavy cream in work bowl fitted with egg whip. Process 30 seconds. With processor running, add 2 tablespoons (30 ml) powdered sugar through the small feed tube. Process just until soft peaks form, about 30 to 40 seconds. Stop processor as necessary to check texture of mixture. With processor running, add ½ teaspoon (2 ml) vanilla, if desired, through the small feed tube. Process just until mixed. Do not overprocess.

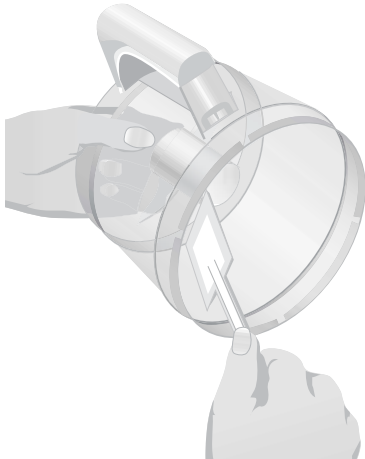
Helpful Hints

1. When cutting and packing food items in the Ultra Wide Mouth™ feed tube, do not exceed the maximum fill line. This will permit the pusher to engage the interlock and the unit to operate.
2. Never process any food that is so hard or firmly frozen that it cannot be pierced with the tip of a sharp knife. Hard food can cause damage to the blade or motor. If a piece of hard food, such as carrot, becomes wedged or stuck on the blade, stop the processor and remove the blade. Carefully remove food from the blade.
3. Do not overfill work bowl or mini bowl. For thin mixtures, fill work bowl up to $\frac{1}{2}$ to $\frac{2}{3}$ full. For thicker mixtures, fill work bowl up to $\frac{3}{4}$ full. For liquids, fill up to the maximum level as described on page 13. When chopping, the work bowl should be no more than $\frac{1}{3}$ to $\frac{1}{2}$ full. Use the mini bowl for up to 1 cup (235 ml) of liquid or $\frac{1}{2}$ cup (120 ml) solids.
4. Position slicing discs so the cutting surface is just to the right of the feed tube. This allows the blade a full rotation before contacting the food.
5. To capitalize on the speed of the processor, drop ingredients to be chopped through the small feed tube while the processor is running.
6. Different foods require varying degrees of pressure for best shredding and slicing results. In general, use light pressure for soft, delicate foods (strawberries, tomatoes, etc.), moderate pressure for medium foods (zucchini, potatoes, etc.), and firmer pressure for harder foods (carrots, apples, hard cheeses, partially frozen meats, etc.).
7. Soft and medium-hard cheese may spread out or roll up on the shredding disc. To avoid this, shred only well-chilled cheese.
8. Sometimes slender foods, such as carrots or celery, fall over in the feed tube, resulting in an uneven slice. To minimize this, cut food in several pieces and pack the feed tube with the food. For processing small or slender items, the small feed tube in the 2-piece food pusher will prove especially convenient.
9. When preparing a cake or cookie batter or quick bread, use the multipurpose blade to cream fat and sugar first. Add dry ingredients last. Place nuts and fruit on top of flour mixture to prevent overchopping. Process nuts and fruits, using short pulses, until blended with other ingredients. Do not overprocess.
10. When shredded or sliced food piles up on one side of the bowl, stop the processor and redistribute the food using a spatula.
11. When food quantity reaches the bottom of a slicing or shredding disc, remove the food.
12. A few larger pieces of food may remain on top of the disc after slicing or shredding. If desired, cut these by hand and add to mixture.
13. Organize processing tasks to minimize bowl cleanup. Process dry or firm ingredients before liquid ingredients.
14. To clean ingredients from the multipurpose blade easily, just empty the work bowl, replace the lid, and pulse 1 to 2 seconds to spin the blade clean.



Helpful Hints

15. After removing the work bowl cover, place it upside down on the counter. This will help keep the counter clean.
16. To remove the contents of the work bowl without removing the multipurpose blade, grasp the work bowl from the bottom and place one finger through the center opening to hold the blade in place. Then remove food from the bowl and blade with a spatula.
17. Your Food Processor is not designed to perform the following functions:
 - grind coffee beans, grains, or hard spices
 - grind bones or other inedible parts of food
 - liquefy raw fruits or vegetables
 - slice hard-cooked eggs or unchilled meats
18. If any plastic parts should discolour due to the types of food processed, clean them with lemon juice.



Sausage-Stuffed Mushrooms

APPETIZERS

- 1 *bakery croissant or white bread slice, torn into pieces*
1 *shallot, cut into quarters*
1 *clove garlic*
15 *large (about 14 oz. [395 g]) mushrooms, cleaned*
6 *ounces (170 g) ground sausage*
1 *teaspoon (5 ml) Worcestershire sauce*
 $\frac{1}{2}$ *teaspoon (2 ml) dry mustard*
 $\frac{1}{4}$ *teaspoon (1 ml) hot pepper sauce*
1 *cup (235 ml) shredded Cheddar cheese*
2 *tablespoons (30 ml) snipped fresh chives, if desired*

Position mini bowl and mini blade in work bowl. Add croissants. Process until finely crumbled, 10 to 20 seconds. Remove and set aside.

Position mini bowl and mini blade in work bowl. Add shallot and garlic. Process until finely chopped, 5 to 10 seconds. Remove stems from mushrooms; add $\frac{1}{2}$ cup (120 ml) stems to shallot mixture in mini bowl. Pulse 3 to 4 times, about 1 second each time, or until chopped.

In medium skillet over medium heat, cook sausage until thoroughly heated and no longer pink. Drain. Add mushroom mixture; cook 2 to 4 minutes, or until tender, stirring often.

Exchange mini bowl and mini blade for multipurpose blade in work bowl. Add sausage mixture, bread crumbs, Worcestershire sauce, mustard, pepper sauce, and cheese. Process until mixed, 3 to 5 seconds.

Arrange mushrooms cap side down in 13 x 9 x 2-inch (33 x 23 x 5 cm) baking pan. Spoon and press sausage mixture into openings, mounding stuffing. Bake at 350°F (177°C) for 15 to 20 minutes, or until mushrooms are tender. Sprinkle with chives, if desired.

Yield: 5 servings (3 mushrooms per serving).

Tip: Filling may be made up to one day in advance; refrigerate. Warm to room temperature before stuffing mushrooms.

Per Serving: About 230 cal, 11 g pro, 10 g carb, 17 g total fat, 8 g sat fat, 45 mg chol, 390 mg sod.

Cheddar Wheat Crackers

2 ounces (55 g) sharp Cheddar cheese, chilled	Position 4 mm shredding disc in work bowl. Add Cheddar and Parmesan cheeses. Process to shred. Remove and set aside.
1 ounce (30 g) Parmesan cheese, room temperature	Exchange shredding disc for multipurpose blade in work bowl. Add oats and nuts. Pulse 3 to 4 times, about 5 seconds each time, or until finely ground. Add all-purpose and whole wheat flours, sugar, salt, and baking soda. Process until mixed, 5 to 10 seconds. Add shortening and butter. Pulse 4 to 5 times, about 2 seconds each time, or until crumbly. Add cheeses. Pulse 2 to 3 times, about 2 seconds each time, or until mixed. With processor running, add buttermilk through the small feed tube. Process until stiff dough forms, 20 to 25 seconds, scraping sides of bowl if necessary.
3/4 cup (175 ml) rolled oats	
1/2 cup (120 ml) (about 4 oz. [115 g]) walnut pieces	In small bowl, combine egg and water. Set aside.
1 cup (235 ml) all-purpose flour	
3/3 cup (160 ml) whole wheat flour	Remove dough to lightly floured work surface. Form into a ball; divide into 2 portions. Cover 1 portion; roll 1 portion into a 10 x 10-inch (25 x 25 cm) square. Place in center of large lightly greased baking sheet. Roll evenly into a 12 x 12-inch (30.5 x 30.5 cm) square. Brush with egg mixture. Sprinkle with 1/2 teaspoon (2 ml) coarse salt, 1 tablespoon (15 ml) black sesame seeds, and 1 tablespoon (15 ml) white sesame seeds. Roll lightly with rolling pin. With pastry wheel, pizza cutter, or sharp knife, score to form 36 squares, or other desired shape. Do not separate. Repeat with remaining dough, egg mixture, salt, and sesame seeds.
2 teaspoons (10 ml) sugar	
3/4 teaspoon (4 ml) salt	Bake at 350°F (177°C) for about 25 minutes, or until deep golden brown. Outside crackers may start to brown first. Remove them to a cooling rack, and continue baking until center crackers are deep golden brown. Remove to cooling rack.
1/2 teaspoon (2 ml) baking soda	
2 tablespoons (30 ml) shortening	Yield: 6 dozen (about 6 crackers per serving). *Other cracker toppings might include garlic powder, onion powder, sliced almonds, poppy seeds, or sunflower seeds.
1 tablespoon (15 ml) butter or margarine, slightly softened	
1/2 cup (120 ml) buttermilk	Per Serving: About 200 cal, 7 g pro, 20 g carb, 11 g total fat, 3 g sat fat, 30 mg chol, 470 mg sod.
1 egg, beaten	
1 tablespoon (15 ml) water	
1 teaspoon (5 ml) coarse salt, divided	
2 tablespoons (30 ml) black sesame seeds*, divided	
2 tablespoons (30 ml) white sesame seeds*, divided	

Caramelized Onion Puff Pastry Squares

- 6 ounces (170 g) Gouda or smoked Gouda cheese, wax removed
- 1 jumbo yellow onion, cut into quarters lengthwise
- 1 tablespoon (15 ml) vegetable oil
- 1 tablespoon (15 ml) brown sugar
- 1 tablespoon (15 ml) balsamic vinegar
- $\frac{1}{4}$ teaspoon (1 ml) coarsely ground black pepper
- $\frac{1}{8}$ teaspoon (0.5 ml) salt
- 1 sheet (from 17 $\frac{1}{4}$ -oz. [517.5 g] pkg.) frozen puff pastry, thawed
- 2 tablespoons (30 ml) chopped fresh parsley leaves, if desired
- Position 4 mm shredding disc in work bowl. Add Gouda cheese. Process to shred. Remove and set aside.
- Exchange shredding disc for 2 mm slicing disc in work bowl. Add onion. Process to slice.
- In large skillet or Dutch oven over medium-high heat, heat oil until it sizzles. Add onions. Cook 5 to 10 minutes, or until onions are limp, stirring occasionally. Stir in brown sugar and vinegar. Cover. Cook, stirring occasionally, over medium-low heat about 35 minutes, or until soft and light golden. Uncover; continue cooking until liquid evaporates. Stir in pepper and salt. Set aside.
- On lightly floured surface, roll puff pastry into a 12-inch (30.5 cm) square. Pierce with a fork. With pizza cutter or sharp knife, cut pastry into 36 pieces. Place on ungreased baking sheet.
- Bake at 400°F (204°C) for 10 to 12 minutes, or until pastry puffs and edges begin to brown. Remove from oven. With back of spoon, make indentation in each square. Spoon onion mixture into each square and sprinkle with cheese. Bake at 400°F (204°C) for 3 to 5 minutes, or until pastry is golden brown and cheese melts. Garnish with parsley, if desired.
- Yield: 12 servings (3 squares per serving).
- Per Serving: About 190 cal, 5 g pro, 13 g carb, 13 g total fat, 4 g sat fat, 15 mg chol, 190 mg sod.

Hot Artichoke Dip

- 4 ounces (115 g) Asiago or Parmesan cheese, room temperature
- 2 green onions, cut into 1-inch (2.5 cm) pieces
- ½ red or green jalapeno pepper, seeded and cut into quarters
- 1 small clove garlic
- 1 can (14 oz. [395 g]) artichoke hearts, well drained and cut into halves
- ¾ cup (175 ml) mayonnaise
- 1 package (3 oz. [85 g]) cream cheese, cut into 1-inch (2.5 cm) pieces
- Position 4 mm shredding disc in work bowl. Add Asiago cheese. Process to shred. Remove and set aside.
- Exchange shredding disc for multipurpose blade in work bowl. With processor running, add onions, jalapeno pepper, and garlic through the small feed tube. Process until finely chopped, about 5 seconds. Add artichoke hearts. Pulse 1 to 2 times, about 2 seconds each time, or until coarsely chopped. Add mayonnaise, cream cheese, and Asiago cheese. Process until blended, about 5 seconds.
- Remove to greased 9-inch (23 cm) quiche pan or pie plate. Bake at 375°F (191°C) for 15 to 20 minutes, or until hot. Serve with crackers, French bread, tiny corn muffins, or crisp vegetables.
- Yield: 24 servings (2 tablespoons [30 ml] per serving).
- Per Serving: About 90 cal, 2 g pro, 1 g carb, 8 g total fat, 2.5 g sat fat, 10 mg chol, 130 mg sod.

Brandied Cheese Spread

- 8 ounces (225 g) smoked Cheddar cheese, chilled
- 8 ounces (225 g) Gruyere cheese, room temperature
- 1 small shallot
- 1 package (8 oz. [225 g]) cream cheese, cut into 1-inch (2.5 cm) pieces
- 4 ounces (115 g) blue cheese, crumbled
- ½ cups (120 ml) butter or margarine, softened
- 3 tablespoons (45 ml) brandy
- Position 4 mm shredding disc in work bowl. Add Cheddar cheese. Process to shred. Add Gruyere cheese. Process to shred. Remove and set aside.
- Exchange shredding disc for multipurpose blade in work bowl. With processor running, add shallot through the small feed tube. Process until finely chopped, about 5 seconds. Add shredded cheese and remaining ingredients. Process until smooth and blended, 15 to 20 seconds.
- Refrigerate several hours to blend flavours. Bring to room temperature before serving with crostini or crackers, if desired.
- Yield: 36 servings (2 tablespoons [30 ml] per serving).
- Tip: Spread may be made 2 days in advance and refrigerated.
- Per Serving: About 110 cal, 5 g pro, 1 g carb, 10 g total fat, 6 g sat fat, 30 mg chol, 125 mg sod.

Roasted Salsa Verde

- 2 *mild yellow chile peppers, cut into halves and seeded*
- 1 *serrano chile pepper, cut into halves and seeded*
- 2 *cloves garlic, peeled*
- 1 *pound (455 g) fresh tomatillos, husks removed*
- ½ *red bell pepper, seeded and cut into 1½-inches (3.75 cm) pieces*
- 1 *small onion, cut into quarters*
- 1 *tablespoon (15 ml) olive or vegetable oil*
- 1 *tablespoon (15 ml) fresh lime juice*
- 1 *teaspoon (5 ml) sugar*
- ½ *teaspoon (2 ml) salt*

Place yellow and serrano peppers, garlic, tomatillos, bell pepper, and onion in 15 x 10 x 2-inch (38 x 25 x 5 cm) baking pan. Drizzle with oil; toss to coat. On top rack, bake at 450°F (232°C) for 20 to 25 minutes, or until tomatillos are blistered and garlic is tender, stirring once or twice. Cool slightly.

Position multipurpose blade in work bowl. Add vegetable mixture with any accumulated juices, lime juice, sugar, and salt. Pulse 2 to 3 times, about 1 second each time, or until chopped. Serve chilled or at room temperature with skewered grilled chicken or shrimp, or tortilla chips.

Yield: 24 servings (2 tablespoons [30 ml] per serving).

Tip: May be made 1 to 2 days in advance, if desired.

Per Serving: About 15 cal, 0 g pro, 2 g carb, 1 g total fat, 0 g sat fat, 0 mg chol, 50 mg sod.

Dilled Sour Cream Cucumbers and Onions

2 medium cucumbers	Position 2 mm slicing disc in work bowl. Add cucumbers in batches. Process to slice. Remove to medium mixing bowl. Sprinkle with salt; toss to coat. Let stand ½ hour. Drain and spread on paper towels. Set aside.
1 teaspoon (5 ml) salt	
½ small onion	
¾ cup (175 ml) sour cream	
¼ cup (60 ml) mayonnaise	Position 2 mm slicing disc in work bowl. Add onion. Process to slice. Remove to medium mixing bowl.
¼ cup (60 ml) loosely packed fresh dill	Exchange slicing disc for multipurpose blade in work bowl. Add remaining ingredients. Process until well blended, 5 to 10 seconds.
1 tablespoon (15 ml) white wine vinegar	
2 teaspoons (10 ml) sugar	Add sour cream mixture and cucumbers to onions. Toss to coat. Cover and refrigerate at least 1 hour. Serve within 24 hours.
¼-½ teaspoon (1-2 ml) black pepper	
	Yield: 6 servings (½ cup [120 ml] per serving).
	Per Serving: About 150 cal, 1 g pro, 6 g carb, 13 g total fat, 4.5 g sat fat, 20 mg chol, 450 mg sod.

White Balsamic Vinaigrette

1 tablespoon (15 ml) fresh basil leaves	Position mini bowl and mini blade in work bowl. With processor running, add basil, oregano, and garlic through the small feed tube. Process until chopped, 5 to 8 seconds. Scrape sides of bowl.
1 tablespoon (15 ml) fresh oregano leaves	
1 clove garlic	With processor running, add balsamic vinegar, wine vinegar, salt, mustard, and red pepper. Process until mixed, about 5 seconds. With processor running, slowly drizzle oil through the small feed tube. Process until smooth and thick. Serve with green salads.
3 tablespoons (45 ml) white balsamic vinegar*	
3 tablespoons (45 ml) white wine vinegar*	
½ teaspoon (2 ml) salt	Yield: 8 servings (2 tablespoons [30 ml] per serving).
¼ teaspoon (1 ml) dry mustard	*Three tablespoons (45 ml) each of dark balsamic vinegar and red wine vinegar may be substituted.
⅙ teaspoon (0.5 ml) ground red pepper	
¾ cup (175 ml) extra virgin olive oil	Per Serving: About 190 cal, 0 g pro, 1 g carb, 21 g total fat, 3 g sat fat, 0 mg chol, 150 mg sod.

Mediterranean Hot Chicken Salad

- 3 cups (710 ml) (about 1 lb [455 g]) cooked chicken chunks
- $\frac{1}{4}$ cup (60 ml) whole pitted kalamata olives
- 3 green onions, cut into 1-inch (2.5 cm) pieces
- $\frac{1}{2}$ bulb fennel, cut into halves lengthwise
- $\frac{1}{2}$ cup (120 ml) mayonnaise*
- $\frac{1}{4}$ cup (60 ml) sour cream*
- 2 teaspoons (10 ml) all-purpose flour
- 1 tablespoon (15 ml) fresh oregano leaves
- 1 tablespoon (15 ml) lemon juice
- $\frac{1}{4}$ teaspoon (1 ml) salt
- $\frac{1}{8}$ teaspoon (0.5 ml) black pepper
- $\frac{1}{2}$ cup (120 ml) (2 oz. [55 g]) crumbled feta cheese
- $\frac{1}{4}$ cup (60 ml) pine nuts
- Position multipurpose blade in work bowl. Add chicken, olives, and onions. Pulse 4 to 6 times, 1 to 2 seconds each time, or until coarsely chopped. Remove to large mixing bowl.
- Exchange multipurpose blade for 2 mm slicing disc. Add fennel. Process to slice. Add to mixing bowl.
- Exchange slicing disc for mini bowl and mini blade in work bowl. Add all remaining ingredients except cheese and nuts. Process until mixed, 10 to 12 seconds. Add to mixing bowl. Add cheese to mixing bowl; stir to combine.
- Spread into greased 8 x 8 x 2-inch (20 x 20 x 5 cm) baking pan. Sprinkle with pine nuts. Bake at 375°F (191°C) for 20 to 25 minutes, or until thoroughly heated. Serve with pitas, flatbread, or lettuce wraps.
- Yield: 5 servings (about $\frac{3}{4}$ cup [175 ml] per serving).
- *Light mayonnaise and light sour cream may be substituted.
- Per Serving: About 420 cal, 26 g pro, 6 g carb, 33 g total fat, 7 g sat fat, 65 mg chol, 550 mg sod.

Creamy Citrus Dressing

- $\frac{3}{4}$ cup (175 ml) mayonnaise
- $\frac{1}{2}$ cup (80 ml) marshmallow crème
- 1 package (3 oz. [85 g]) cream cheese, cut into 1-inch (2.5 cm) pieces
- 1 tablespoon (15 ml) fresh lime juice
- 1 medium seedless orange, peeled and sectioned
- $\frac{1}{4}$ - $\frac{1}{2}$ teaspoon (1-2 ml) grated lime peel, if desired
- Position multipurpose blade in work bowl. Add mayonnaise, marshmallow crème, and cream cheese. Process until creamy, about 1 minute. Scrape sides of bowl. Add lime juice, orange, and lime peel, if desired. Process until orange is finely chopped, 20 to 25 seconds. Serve with fruit salads.
- Yield: 12 servings (2 tablespoons [30 ml] per serving).
- Per Serving: About 140 cal, 1 g pro, 4 g carb, 13 g total fat, 3 g sat fat, 10 mg chol, 100 mg sod.

Chicken Wild Rice Salad

- 2 green onions, cut into 1-inch (2.5 cm) pieces
- 1 pound (455 g) boneless, skinless chicken breast halves, grilled or broiled and cooled
- ½ large red bell pepper, seeded and cut into quarters lengthwise
- 1 medium rib celery
- 2 cups (475 ml) cooked wild rice, cooled

Dressing

- ½ cup (120 ml) vegetable oil
- ¼ cup (60 ml) white wine or rice vinegar
- 2 tablespoons (30 ml) Dijon mustard
- ½ teaspoon (2 ml) salt
- ½ teaspoon (2 ml) coarsely ground black pepper
- ½ teaspoon (2 ml) hot pepper sauce

Position multipurpose blade in work bowl. Add onions. Pulse 1 to 2 times, about 2 seconds each time, or until chopped.

Exchange multipurpose blade for 2 mm slicing disc in work bowl. Add chicken, bell pepper, and celery in batches. Process to slice. Remove to large mixing bowl. Add rice; toss to mix.

Exchange slicing disc for multipurpose blade in work bowl. Add dressing ingredients. Process until smooth, 3 to 5 seconds. Pour dressing over salad mixture. Toss to coat. Refrigerate at least 1 hour before serving.

Yield: 5 servings.

Tip: Entire salad may be assembled 1 day in advance and refrigerated.

Per Serving: About 370 cal, 22 g pro, 16 g carb, 25 g total fat, 4.5 g sat fat, 50 mg chol, 450 mg sod.

Asian Coleslaw

- 1 package (3 oz. [85 g]) Ramen Noodles (shrimp, chicken, or vegetable flavour)
- ½ large head (about 1 lb. [455 g]) Napa cabbage, cored
- ½ medium red onion
- ½ cup (80 ml) salted sunflower seeds

Dressing

- ¼ cup (60 ml) vegetable oil
- 2 tablespoons (30 ml) rice vinegar or rice wine
- 2 tablespoons (30 ml) sugar

Remove and reserve seasoning packet from noodles. Crumble noodles and place on baking sheet. Bake at 375°F (191°C) for 5 minutes, or until toasted. Cool.

Position 2 mm slicing disc in work bowl. Add cabbage and onion in batches, cutting to fit feed tube if necessary. Process to slice. Remove to large mixing bowl. Add sunflower seeds and noodles; toss to mix.

Exchange slicing disc for multipurpose blade in work bowl. Add oil, vinegar, sugar, and contents of seasoning packet. Process until blended and sugar is dissolved, 10 to 15 seconds. Pour dressing over salad. Toss to coat.

Chill at least 1 hour before serving to blend flavours.

Yield: 12 servings (½ cup [120 ml] per serving).

Per Serving: About 110 cal, 2 g pro, 9 g carb, 8 g total fat, 1.5 g sat fat, 0 mg chol, 115 mg sod.

Broccoli Kohlrabi Salad

- 1 stalk (about $\frac{3}{4}$ lb. [340 g]) broccoli
- 2 bulbs kohlrabi, peeled and cut into eighths lengthwise
- 1 large carrot, peeled

Dressing

- $\frac{1}{2}$ cup (80 ml) vegetable oil
- 3 tablespoons (45 ml) red wine vinegar
- 1 tablespoon (15 ml) fresh lemon juice
- 2 green onions, cut into 1-inch (2.5 cm) pieces
- 1 teaspoon (5 ml) prepared mustard
- 1 teaspoon (5 ml) sugar
- $\frac{1}{2}$ teaspoon (2 ml) coarsely ground black pepper
- $\frac{1}{4}$ teaspoon (1 ml) salt

Position 2 mm slicing disc in work bowl. Add broccoli (stalk and florets), cutting to fit feed tube if necessary. Process to slice. Add kohlrabi. Process to slice.

Exchange slicing disc for 4 mm shredding disc in work bowl. Add carrot. Process to shred. Remove vegetable mixture to large mixing bowl.

Exchange shredding disc for multipurpose blade in work bowl. Add dressing ingredients. Process until smooth, 10 to 15 seconds. Pour dressing over vegetables. Toss to coat.

Chill at least 1 hour to blend flavours.

Yield: 10 servings ($\frac{1}{2}$ cup [120 ml] per serving).

Per Serving: About 90 cal, 2 g pro, 5 g carb, 8 g total fat, 1.5 g sat fat, 0 mg chol, 85 mg sod.

Cheddar Broccoli Soup

- 8 ounces (225 g) sharp Cheddar cheese, chilled
- 1 small onion, cut into halves lengthwise
- 1 rib celery, cut into 2½-inch (6.25 cm) pieces
- 2 tablespoons (30 ml) butter or margarine
- 1 large head (about 1 lb. [455 g]) broccoli
- 3 cups (710 ml) chicken broth
- 2 cups (475 ml) milk, divided
- ¼ cup (60 ml) all-purpose flour
- 2 teaspoons (10 ml) Dijon mustard
- 1 teaspoon (5 ml) curry powder, if desired
- ⅛ teaspoon (0.5 ml) hot pepper sauce
- Position 4 mm shredding disc in work bowl. Add cheese. Process to shred. Remove and set aside.
- Exchange shredding disc for 2 mm slicing disc in work bowl. Add onion and celery. Process to slice. Melt butter in large saucepan or Dutch oven over medium heat. Remove onion and celery to saucepan. Cook 2 to 3 minutes, or until crisp-tender, stirring occasionally.
- Cut stems from broccoli, and peel tough coating from stems. Cut florets into small pieces. Position 2 mm slicing disc in work bowl. Add broccoli stems. Process to slice. Remove to saucepan.
- Add broccoli florets and broth to saucepan. Bring to a boil over medium-high heat. Reduce heat; partially cover and simmer 6 to 10 minutes, or until broccoli is crisp-tender, stirring occasionally. Remove from heat.
- Exchange slicing disc for multipurpose blade in work bowl. With slotted spoon, remove vegetables from saucepan to work bowl. Add ¾ cup (175 ml) milk. Process until chopped, 5 to 8 seconds. Set aside.
- In medium mixing bowl, whisk flour into remaining 1¼ cups (295 ml) milk, whisking until smooth. Add mustard, curry powder, if desired, and pepper sauce. Stir until combined.
- Add milk mixture to broth in saucepan. Cook and stir over medium-high heat until bubbly and slightly thickened. Reduce heat to low. Add all but ¼ cup (60 ml) shredded cheese; stir until melted.
- Add broccoli mixture to saucepan. Heat thoroughly. Garnish with remaining ¼ cup (60 ml) cheese.
- Yield: 7 servings (1 cup [235 ml] per serving).
- Per Serving: About 250 cal, 13 g pro, 14 g carb, 16 g total fat, 9 g sat fat, 50 mg chol, 740 mg sod.

Roasted Butternut Squash Soup with Herb Pistou

Soup

- 1 large (about 2½ lb. [1135 g]) butternut squash, peeled, seeded, and cut into quarters lengthwise
- 1 large onion, cut into halves lengthwise
- 2 large cloves garlic, cut into quarters
- 2 tablespoons (30 ml) olive oil
- 5 cups (1.20 l) chicken broth, divided
- 1 can (15 oz. [425 g]) pumpkin puree, divided
- ¾ teaspoon (4 ml) salt
- ¼ teaspoon (1 ml) cayenne pepper
- 1 cup (235 ml) whipping cream

Position 2 mm slicing disc in work bowl. Add squash in batches. Process to slice. Remove to large mixing bowl. Add onion. Process to slice. Add onion and garlic to squash. Drizzle with oil; toss to coat. Spread in 15 x 10 x 1-inch (38 x 25 x 5 cm) pan. Bake at 450°F (232°C) for 30 to 35 minutes, or until tender, stirring once or twice. (Pan will be very full at first but decreases as vegetables cook.) Cool slightly.

Exchange slicing disc for multipurpose blade in work bowl. Add half of roasted vegetable mixture and juices, ¾ cup (175 ml) broth, half of pumpkin, salt, and cayenne pepper. Process until smooth, about 30 seconds. Remove to Dutch oven. Repeat with remaining half of roasted vegetable mixture, ¾ cup (175 ml) broth, and remaining half of pumpkin. Remove to Dutch oven. Stir in remaining 3½ cups (830 ml) broth.

Cook and stir over medium heat until thoroughly heated. Stir in cream; heat just until hot. Top each serving with about 2 teaspoons (10 ml) Herb Pistou.

Pistou Sauce

- 2 cups (475 ml) loosely packed fresh parsley leaves
- ¼ cup (60 ml) loosely packed fresh sage leaves
- 2 tablespoons (30 ml) fresh thyme leaves
- 1 clove garlic
- 1 teaspoon (5 ml) lemon juice
- ¼ teaspoon (1 ml) salt
- ½ cup (80 ml) olive oil

Position mini bowl and mini blade in work bowl.

Add parsley, sage, thyme, and garlic. Process until finely chopped, 20 to 25 seconds. Add lemon juice and salt. With processor running, gradually add oil through the small feed tube. Process until well mixed, 20 to 25 seconds.

Yield: 10 servings (1 cup [235 ml] per serving).

Per Serving: About 220 cal, 3 g pro, 19 g carb, 16 g total fat, 6 g sat fat, 30 mg chol, 690 mg sod.

Pan-Fried Veggie Burgers

- 8 ounces (225 g) Monterey Jack cheese, chilled
- 3 firm Roma tomatoes, cored
- 2 large cloves garlic
- $\frac{1}{4}$ small red onion, cut into 1-inch (2.5 cm) pieces
- $\frac{1}{4}$ medium green bell pepper, cut into 1-inch (2.5 cm) pieces
- 1 can (15 oz. [425 g]) pinto or kidney beans, well drained
- 1 can (8 $\frac{3}{4}$ oz. [245 g]) whole kernel corn, drained
- 2 cups (475 ml) cooked brown rice (not instant)
- $\frac{1}{2}$ cup (80 ml) dry bread crumbs
- 1 teaspoon (5 ml) ground cumin
- $\frac{3}{4}$ teaspoon (4 ml) dried oregano
- $\frac{3}{4}$ teaspoon (4 ml) black pepper
- $\frac{1}{4}$ teaspoon (1 ml) cayenne pepper
- $\frac{1}{4}$ teaspoon (1 ml) salt
- 1-2 tablespoons (15-30 ml) olive oil
- 1-2 tablespoons (15-30 ml) butter or margarine

Position 2 mm slicing disc in work bowl. Add cheese. Process to slice. Remove and set aside. Add tomatoes. Process to slice. Remove and set aside.

Exchange slicing disc for multipurpose blade in work bowl. With processor running, add garlic through the small feed tube. Process until finely chopped, 5 to 8 seconds. Add onion and bell pepper. Pulse 3 to 5 times, about 2 seconds each time, or until chopped. Add beans, corn, rice, bread crumbs, cumin, oregano, black pepper, cayenne pepper, and salt. Pulse 3 to 4 times, about 1 second each time, or until just mixed. Shape into 8 patties (about $\frac{1}{3}$ cup [80 ml] each).

In large nonstick skillet over medium heat, heat olive oil and butter. Add patties in batches, if necessary. Cook about 4 minutes, or until golden brown. Carefully turn. Top each patty with cheese. Reduce heat to medium-low. Cook 5 to 6 minutes, or until patties are golden brown and cheese is melted.

If desired, serve with whole wheat sandwich buns or pita pockets, tomato slices, leaf lettuce, mayonnaise, and mustard.

Yield: 8 servings.

Per serving: About 290 cal, 12 g pro, 31 g carb, 13 g total fat, 6 g sat fat, 35 mg chol, 340 mg sod.

Muffaletta Sandwiches

- 1 *medium plum tomato*
- 2 *large fresh basil leaves*
- 2 *tablespoons (30 ml) fresh parsley leaves*
- 2 *large cloves garlic*
- $\frac{1}{8}$ *small red onion, peeled and cut into 1-inch (2.5 cm) pieces*
- $\frac{1}{4}$ *cup (60 ml) pimiento-stuffed green olives*
- $\frac{1}{2}$ *cup (120 ml) pitted ripe olives*
- $\frac{1}{2}$ *cup (120 ml) pitted kalamata olives*
- $\frac{1}{4}$ *cup (60 ml) prepared roasted red peppers, drained*
- 1 *tablespoon (15 ml) white wine vinegar*
- $\frac{1}{4}$ *teaspoon (1 ml) dried oregano*
- $\frac{1}{4}$ *teaspoon (1 ml) coarsely ground black pepper*
- $\frac{1}{4}$ *cup (60 ml) extra virgin olive oil*
- 2 *loaves French bread*, cut into thirds and split lengthwise*
- $\frac{1}{2}$ *pound (225 g) thinly sliced salami*
- $\frac{1}{2}$ *pound (225 g) thinly sliced smoked ham or prosciutto*
- 6 *slices provolone cheese*

Position 2 mm slicing disc in work bowl. Add tomato. Process to slice. Remove and set aside.

Exchange slicing disc for mini bowl and mini blade in work bowl. With processor running, add basil and parsley through the small feed tube. Process until chopped, about 5 seconds. With processor running, add garlic. Process until chopped, 5 to 10 seconds. Add onion. Process until chopped, about 3 seconds, scraping sides of bowl if necessary. Add green, ripe, and kalamata olives, roasted red peppers, vinegar, oregano, black pepper, and oil. Process until blended, 15 to 20 seconds.

Spread about 2 tablespoons (30 ml) olive mixture on each side of bread. Top with reserved tomatoes, salami, ham, and cheese. To warm, if desired, wrap each sandwich loosely in foil. Bake at 375°F (191°C) for 15 to 20 minutes, or until hot and cheese is melted.

Yield: 6 servings.

*Six hoagie buns may be substituted for bread.

Tip: Olive mixture may be made 1 to 2 days in advance and refrigerated. Also, serve it as a dip with crackers or toasted pita triangles.

Per Serving: About 720 cal, 33 g pro, 51 g carb, 41 g total fat, 14 g sat fat, 70 mg chol, 2410 mg sod.

French Onion Soup

- 8 ounces (225 g) Gruyere or Swiss cheese, room temperature
- 2 jumbo yellow onions, cut into halves lengthwise
- 3 tablespoons (45 ml) butter or margarine
- 1 tablespoon (15 ml) all-purpose flour
- ½ teaspoon (2 ml) black pepper
- 3 cups (710 ml) beef broth
- 1½ cups (355 ml) chicken broth
- ⅓ cup (80 ml) dry sherry
- 1 teaspoon (5 ml) Worcestershire sauce
- 6 diagonal slices (½-in. [1.25 cm] thick) French bread, lightly toasted
- 3 ounces (85 g) freshly grated Parmesan cheese
- Position 4 mm shredding disc in work bowl. Add Gruyere cheese. Process to shred. Remove and set aside.
- Exchange shredding disc for 2 mm slicing disc in work bowl. Add onions in batches. Process to slice.
- In Dutch oven over medium-high heat, melt butter. Add onions. Cook and stir 5 to 10 minutes, or until onions are tender. Add flour and pepper; mix well. Add beef and chicken broths, sherry, and Worcestershire sauce. Heat to boiling. Reduce heat; simmer 10 to 15 minutes, or until flavours are blended.
- Spoon about 1 cup (235 ml) soup into each of 6 individual oven-proof bowls. Top with bread and Gruyere cheese. Sprinkle with Parmesan cheese. Place under broiler, 4 to 6 inches (10 to 15 cm) from heat, for 2 to 3 minutes, or until cheese is melted and bubbly.
- Yield: 6 servings (1 cup [235 ml] per serving).
- Per Serving: About 400 cal, 21 g pro, 25 g carb, 23 g total fat, 13 g sat fat, 65 mg chol, 1170 mg sod.

Chipotlé-Mustard Ham Spread

- ⅛ small onion
- 1 small chipotlé chile in adobo sauce (from 7 or 11-oz. [200 g or 310 g] can)
- ½-1 teaspoon (2-5 ml) adobo sauce
- ⅓ cup (80 ml) mayonnaise
- 2 tablespoons (30 ml) prepared honey mustard salad dressing
- ½ rib celery, cut into 1-inch (2.5 cm) pieces
- 2 cups (475 ml) cubed cooked ham
- Position multipurpose blade in work bowl. With processor running, add onion and chile through the small feed tube. Process until chopped, about 5 seconds. Scrape sides of bowl. Add adobo sauce, mayonnaise, salad dressing, and celery. Process until mixed, about 10 seconds, scraping sides of bowl if necessary. Add ham. Pulse 6 to 7 times, about 1 second each time, scraping sides of bowl if necessary. Spread on crackers or bread, if desired.
- Yield: 4 servings (½ cup [120 ml] per serving).
- Per Serving: About 350 cal, 18 g pro, 2 g carb, 29 g total fat, 7 g sat fat, 70 mg chol, 270 mg sod.

Layered Eggplant and Roasted Red Pepper Casserole

- 1 medium (about 1½ lb. [680 g]) eggplant
- 3 tablespoons (45 ml) olive oil
- 4 ounces (115 g) mozzarella cheese, chilled
- 2 ounces (55 g) Parmesan cheese, cut into ¾ inch (2 cm) pieces and room temperature
- 1 cup (235 ml) ricotta cheese
- 1 egg
- ¼ teaspoon (1 ml) salt
- ¼ teaspoon (1 ml) black pepper
- 2 cups (475 ml) prepared tomato basil pasta sauce, divided
- 1 jar (7 oz. [200 g]) roasted red peppers, well drained

Position 2 mm slicing disc in work bowl. Cut eggplant into 2½-inch (6.25 cm) lengths to fit feed tube. Process to slice. Remove to greased 15 x 10 x 1-inch (38 x 25 x 2.5 cm) pan, and arrange evenly. Drizzle with oil. Bake at 450°F (232°C) for 5 to 8 minutes, or until slightly tender.

Meanwhile, exchange slicing disc for 4 mm shredding disc. Add mozzarella cheese. Process to shred. Remove and set aside.

Exchange shredding disc for multipurpose blade in work bowl. With processor running, add Parmesan cheese through the small feed tube. Process until grated, 25 to 30 seconds. Add ricotta cheese, egg, salt, and black pepper. Process until mixed, 10 to 15 seconds.

Pour 1 cup (235 ml) pasta sauce into greased 12 x 8 x 2-inch (30.5 x 20.3 x 5 cm) baking pan. Layer half of eggplant on top of sauce. Top with half of red peppers and half of ricotta cheese mixture. Repeat layers of eggplant, red peppers, and ricotta cheese mixture. Top with remaining 1 cup (235 ml) pasta sauce and mozzarella cheese. Bake at 350°F (177°C) for 30 to 40 minutes, or until eggplant is tender and casserole is bubbly. Let stand 5 to 10 minutes before serving.

Yield: 8 servings.

Per Serving: About 250 cal, 12 g pro, 19 g carb, 14 g total fat, 6 g sat fat, 50 mg chol, 610 mg sod.

Spring Mix Basmati Rice

1 clove garlic	Position multipurpose blade in work bowl. With processor running, add garlic through the small feed tube. Process 5 seconds. Add shallot. Pulse 2 to 3 times, about 2 seconds each time, or until chopped. In large saucepan over medium heat, heat oil. Add shallot mixture. Cook until tender, 1 to 2 minutes, stirring often. Remove from heat; set aside.
1 medium shallot, cut into quarters	
1 tablespoon (15 ml) olive oil	Exchange multipurpose blade for 2 mm slicing disc in work bowl. Add green beans and carrot. Process to slice. Remove to saucepan with shallot mixture. Add broth, water, salt, black pepper, and coriander, if desired. Bring to a boil. Stir in rice. Return to boil; reduce heat. Cover, simmer about 15 minutes, or until liquid is absorbed.
¼ pound (115 g) (about 1 cup [235 ml]) fresh green beans, trimmed	
1 small carrot, peeled and cut into halves crosswise	Meanwhile, cut tips from asparagus and reserve stalks; set aside. Exchange slicing disc for multipurpose blade in work bowl. With processor running, add thyme and parsley through the small feed tube. Process until chopped, about 3 seconds. Add bell pepper. Pulse 2 to 3 times, 1 to 2 seconds each time, or until coarsely chopped. Exchange multipurpose blade for 2 mm slicing disc in work bowl. Add asparagus stalks. Process to slice. Remove to saucepan with rice mixture. Add asparagus tips; stir well.
1½ cups (355 ml) chicken broth	
1 cup (235 ml) water	Cover; let stand 10 minutes. Fluff with a fork.
1 teaspoon (5 ml) salt	
¼ teaspoon (1 ml) black pepper	Yield: 6 servings (1 cup [235 ml] per serving).
1 teaspoon (5 ml) ground coriander, if desired	
1½ cups (315 ml) basmati or jasmine rice	Per Serving: About 200 cal, 4 g pro, 45 g carb, 2.5 g total fat, 0 g sat fat, 0 mg chol, 630 mg sod.
½ pound (225 g) fresh asparagus	
2 teaspoons (10 ml) fresh thyme leaves	
2 tablespoons (30 ml) loosely packed fresh parsley leaves	
¼ small red bell pepper, cut into quarters	

Honey-Orange Carrots

1 pound (455 g) carrots, peeled	Position 2 mm slicing disc in work bowl. Add carrots and onion in batches. Process to slice. Set aside.
½ small onion	
½ cup (120 ml) orange juice	In medium skillet, combine orange juice, honey, salt, and pepper. Bring to a boil over medium-high heat. Add carrot mixture; stir to coat. Bring to a boil. Cover; cook over medium heat 5 minutes. Uncover; simmer 10 minutes, or until liquid evaporates and carrots are coated and tender. Add butter; stir to coat.
2 tablespoons (30 ml) honey	
¼ teaspoon (1 ml) salt	Yield: 4 servings (½ cup [120 ml] per serving).
⅛ teaspoon (0.5 ml) black pepper	
1 tablespoon (15 ml) butter or margarine	Per Serving: About 110 cal, 1 g pro, 22 g carb, 3 g total fat, 2 g sat fat, 10 mg chol, 210 mg sod.

Loaded Baked Potato Casserole

- 3 strips bacon
- 4 ounces (115 g) extra sharp Cheddar cheese, chilled
- 4 ounces (115 g) smoked sharp Cheddar cheese, chilled
- 1 ounce (30 g) Parmesan cheese, room temperature
- 2½ quarts (2.4 l) water
- 2 teaspoons (10 ml) salt, divided
- 2 pounds (905 g) russet potatoes
- ¼ cup (60 ml) loosely packed fresh parsley leaves
- 6 green onions, cut into 1-inch (2.5 cm) pieces
- 1 container (16 oz. [455 g]) sour cream
- 2 tablespoons (30 ml) all-purpose flour
- ½ teaspoon (2 ml) coarsely ground black pepper
- 1 slice (3-in. [7.5 cm] long) French bread
- 1 tablespoon (15 ml) butter or margarine, softened

In 12-inch (30.5 cm) skillet over medium heat, cook bacon until crisp. Remove bacon, reserving 2 tablespoons (30 ml) drippings; drain bacon on paper towels, crumble, and set aside.

Position 4 mm shredding disc in work bowl. Add Cheddar cheeses and Parmesan cheese in batches, cutting to fit feed tube if necessary. Process to shred. Remove and set aside.

In Dutch oven over high heat, add water and 1½ teaspoons (7 ml) salt; bring to boil. Meanwhile, position 4 mm shredding disc in work bowl. Add potatoes in batches, cutting to fit feed tube if necessary. Process to shred. If desired, rinse potatoes and drain well. When water boils, add potatoes; return to a boil. Cook 1 minute, or until crisp-tender. Drain well.

Exchange shredding disc for multipurpose blade in work bowl. With processor running, add parsley and onions through the small feed tube. Process until chopped, 2 to 3 seconds. Remove and set aside.

In large mixing bowl, combine sour cream, flour, pepper, remaining ½ teaspoon (2 ml) salt, and reserved bacon drippings; mix well. Add potatoes, shredded cheeses, onion mixture, and reserved bacon; toss gently to mix well. Spread into greased 2½-quart (2.4 l) baking dish.

Split French bread lengthwise. Butter cut sides; place cut sides together. Cut into 1-inch (2.5 cm) pieces. Position multipurpose blade in work bowl. Add buttered bread. Process until fine crumbs form, 10 to 12 seconds. Sprinkle crumb mixture over potatoes. Bake at 350°F (177°C) for 45 to 60 minutes, or until golden brown and edges are bubbly.

Yield: 12 servings (about ¾ cup [175 ml] per serving).

Per Serving: About 290 cal, 9 g pro, 20 g carb, 19 g total fat, 12 g sat fat, 45 mg chol, 520 mg sod.

Sweet & Sour Cabbage Sauté

- ½ head (about 1 lb. [455 g]) cabbage, cut into wedges*
- 1 tart apple, peeled, cut into quarters, and cored*
- 1 small onion, cut into quarters lengthwise*
- 5 strips bacon*
- 2 tablespoons (30 ml) cider vinegar*
- 2 tablespoons (30 ml) sugar*
- 2 tablespoons (30 ml) water*
- ¼ teaspoon (1 ml) salt*
- ¼ teaspoon (1 ml) black pepper*

Position 2 mm slicing disc in work bowl. Add cabbage, apple, and onion in batches. Process to slice. Set aside.

In large skillet over medium heat, cook bacon until crisp. Remove bacon, drain, and set aside. Add cabbage mixture to bacon drippings. Cook over medium heat until wilted, about 5 minutes, stirring frequently. Add vinegar, sugar, water, salt, and pepper. Cook 5 to 10 minutes, or until tender, stirring occasionally. Crumble bacon over the top.

Yield: 5 servings (½ cup [120 ml] per serving).

Per Serving: About 100 cal, 3 g pro, 16 g carb, 3 g total fat, 1 g sat fat, 5 mg chol, 260 mg sod.

Szechwan Pork

- 2 large cloves garlic
 - 1 piece (2-in. [5 cm] long) peeled ginger root, cut into quarters
 - 2 tablespoons (30 ml) soy sauce
 - 1 tablespoon (15 ml) sherry
 - 1 teaspoon (5 ml) dark sesame oil
 - 1½ teaspoons (7 ml) crushed red pepper flakes
 - ¾ pound (340 g) pork tenderloin, cut into 3-inch (7.6 cm) pieces and frozen for 40 to 55 minutes
 - 1 red or yellow bell pepper, cut into halves lengthwise and seeded
 - 1 large rib celery, cut into 2½-inch (6.25 cm) pieces
 - 1 tablespoon (15 ml) vegetable oil, divided
 - 4 green onions, cut diagonally into ½-inch (1.25 cm) slices
 - 1 cup (235 ml) chicken broth
 - 1 tablespoon (15 ml) cornstarch
 - Hot cooked rice or Chinese noodles, if desired
- Position multipurpose blade in work bowl. With processor running, add garlic and ginger root through the small feed tube. Process until chopped, 8 to 10 seconds. Scrape sides of bowl. Add soy sauce, sherry, sesame oil, and red pepper flakes. Process until mixed, about 5 seconds. Scrape sides of bowl.
- Exchange multipurpose blade for 2 mm slicing disc in work bowl. Add pork. Process to slice. Remove to shallow pan or large resealable food storage plastic bag; coat pork with marinade. Refrigerate for 1 to 2 hours.
- Meanwhile, wash processor. Position 2 mm slicing disc in work bowl. Add bell pepper and celery. Process to slice. Set aside.
- In large skillet over medium-high heat, heat 2 teaspoons (10 ml) vegetable oil. Add pork mixture. Cook 4 to 5 minutes, or until pork is no longer pink, stirring occasionally. Continue to cook and stir until liquid evaporates. Remove from skillet.
- Add remaining 1 teaspoon (5 ml) vegetable oil to skillet. Add bell pepper, celery, and onions. Cook 3 to 4 minutes, or until crisp-tender, stirring occasionally.
- In small bowl, mix broth and cornstarch. Add to vegetables and bring to a boil. Add pork. Cook 1 minute, or until thick and bubbly. Serve over hot cooked rice or Chinese noodles, if desired.
- Yield: 4 servings.
- Per Serving: About 180 cal, 19 g pro, 6 g carb, 9 g total fat, 2 g sat fat, 50 mg chol, 740 mg sod.

Beef and Broccoli Stir-Fry

2 cloves garlic	Position multipurpose blade in work bowl. With processor running, add garlic through the small feed tube. Process until chopped, 5 to 10 seconds.
1 egg white	
1 tablespoon (15 ml) cornstarch, divided	Add egg white, 1 teaspoon (5 ml) cornstarch, 1
2 tablespoons (30 ml) soy sauce, divided	tablespoon (15 ml) soy sauce, sesame oil, red
1 teaspoon (5 ml) dark sesame oil	pepper, and ginger. Process until mixed, 5 to 10
¼ teaspoon (1 ml) crushed red pepper flakes	seconds. Scrape sides of bowl.
⅛ teaspoon (0.5 ml) ginger	Exchange multipurpose blade for 2 mm slicing disc
1 pound (455 g) beef flank steak, cut into 2½-inch (6.25 cm) wide pieces and frozen for 40-55 minutes	in work bowl. Add beef. Process to slice. Remove to shallow pan or large resealable food storage plastic bag; coat beef with marinade. Refrigerate for 1 to 2 hours. Wash processor.
¾ cup (175 ml) beef broth	Meanwhile, in small bowl combine broth, oyster
1½ tablespoons (20 ml) oyster sauce, if desired	sauce (if desired), remaining 2 teaspoons (10 ml) cornstarch, and remaining 1 tablespoon (15 ml) soy
1 cup (235 ml) fresh mushrooms	sauce. Set aside.
1 medium onion, cut into halves lengthwise	Position 2 mm slicing disc in work bowl. Add
½ medium head (about 8 oz. [225 g]) broccoli	mushrooms and onion in batches. Process to slice.
1 medium carrot	Cut broccoli florets from stalk; cut florets into small
2 tablespoons (30 ml) vegetable oil, divided	pieces. Set aside. Add stalk and carrot to feed tube.
Hot cooked rice, if desired	Process to slice. Set aside.
	In large skillet or wok over medium-high heat, heat
	1 tablespoon (15 ml) vegetable oil. Add beef
	mixture. Cook and stir for 5 to 8 minutes, or until
	no longer pink, stirring occasionally. Remove and set
	aside.
	Heat remaining 1 tablespoon (15 ml) oil in skillet or
	wok over medium-high heat. Add sliced vegetables
	and broccoli florets; toss to coat. Cover and cook
	4 minutes, stirring once. Remove lid; cook and stir
	about 3 minutes longer, or until crisp-tender. Add
	broth mixture; bring to a boil. Add beef mixture.
	Cook and stir until thickened. Serve over hot cooked
	rice, if desired.
	Yield: 5 servings.
	Per Serving: About 230 cal, 22 g pro, 9 g carb,
	12 g total fat, 3.5 g sat fat, 35 mg chol,
	560 mg sod.

Deep Dish Pizza

Crust

- 1 cup (235 ml) water
- 2 tablespoons (30 ml) olive oil
- 1 package active dry yeast
- 3 cups (710 ml) all-purpose flour
- 1 ounce (30 g) freshly grated Parmesan cheese (see TIPS)
- 1 teaspoon (5 ml) sugar
- $\frac{3}{4}$ teaspoon (4 ml) salt
- $\frac{1}{2}$ teaspoon (2 ml) dried basil
- Olive oil
- Cornmeal

In small saucepan, add water and 2 tablespoons (30 ml) oil. Heat over low heat until warm, 105°F to 115°F (40.5°C to 46.1°C). Stir in yeast to dissolve. Set aside.

Position dough blade in work bowl. Add flour, Parmesan cheese, sugar, salt, and basil. Process about 5 seconds; scrape sides of bowl. Process until mixed, about 5 seconds, scraping sides of bowl if necessary. With processor running, slowly add yeast mixture. Process 1½ to 2 minutes; dough will form a ball.

Remove dough to greased bowl, turning dough to grease all sides. Cover; let rise in warm place until double in size, about 45 to 60 minutes.

Grease 14-inch (35.5 cm) (1½ inches [3.75 cm] deep) pizza pan with olive oil; sprinkle with cornmeal. Punch dough down; pat into large circle. Press into bottom and up sides of pan. Top as desired with sauce, meat and/or vegetables, and cheese.

Bake at 400°F (204°C) for 5 minutes. Reduce heat to 350°F (177°C) and bake for 28 to 33 minutes, or until crust is deep golden brown and cheese is bubbly. Let stand 15 minutes before cutting.

Yield: 8 servings.

Per Serving: About 510 cal, 26 g pro, 41 g carb, 26 g total fat, 12 g sat fat, 55 mg chol, 970 mg sod.

Sauce

- 1½-2 cups (355-475 ml) prepared pizza, Alfredo, barbecue, or other favorite sauce

Topping

- 3 cups (710 ml) cooked sausage or ground beef, sliced pepperoni, Canadian bacon, ham, shrimp, cooked chicken, roasted peppers, fresh mushrooms, olives, onion, roasted garlic, fresh basil leaves, tomato slices, artichoke hearts, capers, or other favourite topping
- 1 pound (455 g) shredded mozzarella, provolone, Cheddar, Parmesan, or other favourite cheese

VARIATION

Thin Crust Pizzas

Prepare dough as directed above and let rise.

Grease 2, 12-inch (30.5 cm) pizza pans with olive oil; sprinkle with cornmeal. Punch dough down; divide into 2 balls. Pat into 12-inch (30.5 cm) circles, and press onto bottom and sides of pans. Bake at 425°F (218°C) for 8 minutes.

Top each crust as desired with about 1 cup (235 ml) sauce, 1½ cups (355 ml) meat and/or vegetables, and 8 ounces (225 g) cheese. Bake at 425°F (218°C) for 15 to 20 minutes, or until crust is deep golden brown and cheese is bubbly. If baking both pizzas in one oven, switch racks halfway through baking.

Yield: 8 servings.

Per Serving: About 510 cal, 27 g pro, 42 g carb, 26 g total fat, 12 g sat fat, 55 mg chol, 1020 mg sod.

Chicken Satay with Peanut Sauce

Chicken

- 2 *cloves garlic*
- 1 *teaspoon (5 ml) coarsely chopped ginger root*
- ¼ *cup (60 ml) soy sauce*
- 2 *tablespoons (30 ml) peanut or vegetable oil*
- 2 *teaspoons (10 ml) brown sugar*
- 1-1¼ *pounds (455-565 g) chicken breast tenders*

Position multipurpose blade in work bowl. With processor running, add garlic and ginger root through the small feed tube. Process until chopped, 5 to 10 seconds. Add soy sauce, oil, and brown sugar. Process until blended and sugar dissolves, 15 to 20 seconds. Remove to plastic resealable food storage bag or shallow pan.

Add chicken; coat with marinade. Marinate ½ hour at room temperature or at least 2 hours in refrigerator. Remove chicken from marinade, reserving marinade.

Thread chicken tenders on soaked wooden or oiled metal skewers. Grill over medium-hot coals or broil on oiled broiler pan 4 to 6 inches (10 to 15 cm) from heat for 8 to 10 minutes, or until thoroughly cooked, turning once. Brush with any remaining marinade once during cooking, if desired. Serve with warm or room temperature Peanut Sauce.

Sauce

- ½ *cup (80 ml) coconut milk*
- ¼ *cup (60 ml) peanut butter*
- 2 *tablespoons (30 ml) soy sauce*
- ½ *teaspoon (2 ml) red curry paste*

Position multipurpose blade in work bowl. Add all ingredients. Process until blended, 5 to 10 seconds.

Yield: 4 servings.

Per Serving: About 290 cal, 30 g pro, 5 g carb, 17 g total fat, 6 g sat fat, 60 mg chol, 1400 mg sod.

Herbed Salmon Cakes with Cilantro-Caper Mayonnaise

Mayonnaise

- 3 *tablespoons (45 ml) lightly packed fresh cilantro leaves*
- ½ *cup (120 ml) mayonnaise or salad dressing*
- 1 *tablespoon (15 ml) drained capers*

Position mini bowl and mini blade in work bowl. With processor running, add cilantro through the small feed tube. Process until chopped, 8 to 10 seconds. Scrape sides of bowl. Add mayonnaise and capers. Process until mixed, 10 to 12 seconds. Remove to small bowl; cover and refrigerate.

Cakes

- 2 *cups (475 ml) French or Italian bread cubes*
- 1 *tablespoon (15 ml) fresh tarragon leaves*
- 1 *strip lemon peel, yellow portion only*
- 2 *green onions, cut into 1-inch (2.5 cm) pieces*
- ½ *rib celery, cut into 1-inch (2.5 cm) pieces*
- 1 *egg*
- 2 *teaspoons (10 ml) lemon juice*
- ¼ *teaspoon (1 ml) salt*
- ⅛ *teaspoon (0.5 ml) black pepper*
- 1 *pound (455 g) fresh salmon fillets*, grilled or broiled, and skin removed*
- 1 *tablespoon (15 ml) olive oil*
- 1 *tablespoon (15 ml) butter or margarine*

Position multipurpose blade in work bowl.

Add bread. Process until fine crumbs form, about 20 seconds. Remove to shallow pan.

With processor running, add tarragon, lemon peel, and onions through the small feed tube. Process until chopped, 5 to 8 seconds. Scrape sides of bowl. Add celery. Pulse 2 to 3 times, about 2 seconds each time, or until chopped. Add egg, lemon juice, salt, pepper, and ¾ cup (175 ml) bread crumbs. Pulse 2 to 3 times, about 2 seconds each time, or until mixed. Add salmon. Pulse 5 to 6 times, about 2 seconds each time, or just until mixed. Mixture will be soft; chill, if desired, for easier handling.

Shape into 4 cakes, ½-inch (1.25 cm) thick. Coat both sides of cakes with remaining bread crumbs.

In large skillet over medium heat, heat oil and butter. Add cakes. Cook 5 to 8 minutes, or until golden brown and thoroughly heated, carefully turning once. Serve with Cilantro-Caper Mayonnaise.

Yield: 4 servings.

*Two 7-ounce (200 g) cans of salmon, drained, may be substituted, if desired.

Tip: Mayonnaise and uncooked cakes may be made and refrigerated up to 1 day in advance. Cook cakes just before serving.

Per Serving: About 510 cal, 29 g pro, 10 g carb, 38 g total fat, 7 g sat fat, 140 mg chol, 450 mg sod.

Honey Wheat Bread

- $\frac{2}{5}$ cup (160 ml) milk
- $\frac{1}{5}$ cup (80 ml) water
- 3 tablespoons (45 ml) butter or margarine, cut into pieces
- 3 tablespoons (45 ml) honey
- 1 package active dry yeast
- $1\frac{1}{2}$ cups (355 ml) all-purpose flour
- $1\frac{1}{2}$ cups (355 ml) whole wheat flour
- $\frac{3}{4}$ cup (175 ml) walnut halves or pieces
- $\frac{1}{4}$ cup (60 ml) wheat germ
- 1 teaspoon (5 ml) salt
- 1 teaspoon (5 ml) melted butter or margarine, if desired
- 1 teaspoon (5 ml) wheat germ, if desired

Combine milk, water, 3 tablespoons (45 ml) butter, and honey in small saucepan. Heat over low heat until warm, 105°F to 115°F (40.5°C to 46.1°C). Stir in yeast to dissolve. Set aside.

Position dough blade in work bowl. Add all-purpose flour, whole wheat flour, nuts, $\frac{1}{4}$ cup (60 ml) wheat germ, and salt. Process about 10 seconds; scrape sides of bowl. Process until mixed, about 10 seconds, scraping sides of bowl if necessary. With processor running, slowly add yeast mixture through the small feed tube. Process 1 to $1\frac{1}{4}$ minutes; dough will form a slightly sticky ball.

Remove dough to greased bowl, turning dough to grease all sides. Cover; let rise in warm place until double in size, about 45 to 60 minutes.

Punch dough down. Shape into a loaf and place in greased $8\frac{1}{2}$ x $4\frac{1}{2}$ x $2\frac{1}{2}$ -inch (21.6 x 11.4 x 6.3 cm) loaf pan. Cover; let rise in warm place until double in size, 45 to 60 minutes. If desired, brush with melted butter and sprinkle with wheat germ.

Bake at 375°F (191°C) for 30 to 40 minutes, or until loaf is brown and sounds hollow when tapped. Cool on wire rack.

Yield: 1 loaf (12 servings).

Per Serving: About 200 cal, 6 g pro, 29 g carb, 8 g total fat, 2.5 g sat fat, 10 mg chol, 200 mg sod.

Country White Bread

<i>¾ cup (175 ml) water</i>	Combine water, milk, and 2 tablespoons (30 ml) butter in small saucepan. Heat over low heat until warm, 105°F to 115°F (40.5°C to 46.1°C). Stir in yeast to dissolve. Set aside.
<i>¼ cup (60 ml) milk</i>	
<i>2 tablespoons (30 ml) butter or margarine</i>	
<i>1 package active dry yeast</i>	Position dough blade in work bowl. Add flour, sugar, and salt. Process until mixed, about 5 seconds, scraping sides of bowl if necessary.
<i>3 cups (710 ml) all-purpose flour</i>	
<i>1 tablespoon (15 ml) sugar</i>	With processor running, slowly add yeast mixture through the small feed tube. Process 1 to 1¼ minutes; dough will form a slightly sticky ball.
<i>1 teaspoon (5 ml) salt</i>	Remove dough to greased bowl, turning dough to grease all sides. Cover; let rise in warm place until double in size, 45 to 60 minutes.
<i>1 teaspoon (5 ml) melted butter or margarine, if desired</i>	
	Punch dough down. Shape into a loaf and place in greased 8½ x 4½ x 2½-inch (21.6 x 11.4 x 6.3 cm) loaf pan. Cover; let rise in warm place until double in size, 45 to 60 minutes. Brush with 1 teaspoon (5 ml) melted butter, if desired.
	Bake at 375°F (191°C) for 35 to 40 minutes, or until loaf is deep golden brown and sounds hollow when tapped. Remove loaf from pan immediately. Cool on rack.
	Yield: 1 loaf (12 servings).
	Per Servings: About 130 cal, 4 g pro, 24 g carb, 2.5 g total fat, 1.5 g sat fat, 5 mg chol, 200 mg sod.

Country White Bread Variations

Cinnamon Bread

After first rising, roll out dough into a 15 x 9-inch (38 x 23 cm) rectangle. Spread with 1 tablespoon (15 ml) soft butter or margarine. Sprinkle with 3 tablespoons (45 ml) sugar and 1 teaspoon (5 ml) cinnamon. Starting at short end, roll firmly to form loaf. Pinch to seal ends and bottom seam. Place seam side down in 8½ x 4½ x 2½-inch (21.6 x 11.4 x 6.3 cm) greased loaf pan. Proceed as directed for white bread.

Yield: 1 loaf (12 servings).

Per Serving: About 150 cal, 4 g pro, 27 g carb, 3.5 g total fat, 2 g sat fat, 10 mg chol, 200 mg sod.

Parmesan Pepper Bread

After first rising, roll out dough into a 15 x 9-inch (38 x 23 cm) rectangle. Spread with 1 tablespoon (15 ml) soft butter or margarine. Sprinkle with 3 tablespoons (45 ml) freshly grated Parmesan cheese and ¼ teaspoon (1 ml) coarsely ground black pepper. Starting at short end, roll firmly to form loaf. Pinch to seal ends and bottom seam. Place seam side down in 8½ x 4½ x 2½-inch (21.6 x 11.4 x 6.3 cm) greased loaf pan. Proceed as directed for white bread.

Yield: 1 loaf (12 servings).

Per Serving: About 150 cal, 4 g pro, 24 g carb, 3.5 g total fat, 2 g sat fat, 10 mg chol, 220 mg sod.

Cranberry-Walnut Scones

- 2 cups (475 ml) all-purpose flour
- 2 teaspoons (10 ml) baking powder
- $\frac{1}{4}$ teaspoon (1 ml) cinnamon
- $\frac{1}{8}$ teaspoon (0.5 ml) nutmeg
- $\frac{1}{4}$ teaspoon (1 ml) salt
- 2 tablespoons (30 ml) sugar
- $\frac{1}{2}$ cup (80 ml) cold butter or margarine, cut into $\frac{1}{2}$ -inch (1.25 cm) pieces
- 1 egg yolk
- $\frac{2}{3}$ cup (160 ml) whipping cream
- $\frac{3}{4}$ cup (175 ml) dried cranberries
- $\frac{2}{3}$ cup (160 ml) walnut halves or pieces
- 1 teaspoon (5 ml) sugar, if desired

Position multipurpose blade in work bowl. Add flour, baking powder, cinnamon, nutmeg, salt, and 2 tablespoons (30 ml) sugar. Process until thoroughly mixed, about 10 seconds. Add butter. Pulse 5 times, about 2 seconds each time, or until mixture is crumbly.

In small bowl, combine egg yolk and cream. Sprinkle evenly over flour mixture in work bowl. Add cranberries and nuts. Process until dry ingredients are just moistened, about 5 seconds.

Turn onto lightly floured surface. Pat into 7-inch (17.8 cm) circle, about 1-inch (2.5 cm) thick. Sprinkle with 1 teaspoon (5 ml) sugar, if desired. Cut into 8 wedges. Place on greased baking sheet. Bake at 400°F (204°C) for 18 to 20 minutes, or until light golden brown and firm when tapped on top. Serve warm.

Yield: 8 scones (1 scone per serving).

Per Serving: About 350 cal, 5 g pro, 38 g carb, 21 g total fat, 10 g sat fat, 70 mg chol, 200 mg sod.

Buttermilk Parmesan Biscuits

- 2 ounces (55 g) Parmesan cheese, cut into 1-inch (2.5 cm) pieces and room temperature
- 2 cups (475 ml) all-purpose flour
- 1 tablespoon (15 ml) baking powder
- 1 teaspoon (5 ml) baking soda
- $\frac{1}{4}$ teaspoon (1 ml) salt
- $\frac{1}{2}$ cup (80 ml) shortening
- $\frac{3}{4}$ cup (175 ml) buttermilk
- 2 tablespoons (30 ml) melted butter, if desired

Position multipurpose blade in work bowl. With processor running, add cheese through the small feed tube. Process until grated, 30 to 45 seconds. Add flour, baking powder, baking soda, and salt. Process until mixed, about 3 seconds. Add shortening. Pulse 6 to 8 times, about 1 second each time, or until mixture is crumbly. Pour buttermilk evenly over flour mixture. Pulse 4 to 6 times, about 1 second each time, or until mixture forms a ball. Do not overmix.

Place dough on floured surface. Pat or roll to $\frac{1}{2}$ -inch (1.25 cm) thick. Cut with floured 2-inch (5 cm) round cutter. If desired, gently re-roll dough pieces once to cut additional biscuits. Place on ungreased baking sheet. Brush with melted butter, if desired. Bake at 450°F (232°C) for 8 to 10 minutes, or until light golden brown.

Yield: 14 biscuits (1 biscuit per serving).

Per Serving: About 130 cal, 4 g pro, 14 g carb, 6 g total fat, 2 g sat fat, 5 mg chol, 320 mg sod.

Banana Macadamia Nut Bread

3 medium ripe bananas	Position 2 mm slicing disc in work bowl. Add bananas. Process to slice.
2 eggs	Exchange slicing disc for multipurpose blade in work bowl. Add eggs, butter, buttermilk, vanilla, and sugar. Process until creamy, about 45 seconds. Add baking powder, baking soda, salt, and cinnamon. Pulse 3 times, about 1 second each time.
½ cup (120 ml) butter or margarine, cut into pieces and softened	
3 tablespoons (45 ml) buttermilk	Add flour and nuts. Pulse 3 times, about 1 second each time, or until dry ingredients are moistened.
1 teaspoon (5 ml) vanilla	Pour into greased and floured 9 x 5 x 3-inch (23 x 12.7 x 7.6 cm) loaf pan. Bake at 350°F (177°C) for 55 to 60 minutes, or until toothpick inserted in center comes out clean. Cool in pan 10 minutes. Remove to cooling rack; cool completely.
1 cup (235 ml) sugar	
1½ teaspoons (7 ml) baking powder	Yield: 12 servings.
½ teaspoon (2 ml) baking soda	*If desired, substitute 1 cup (235 ml) whole wheat flour for 1 cup (235 ml) all-purpose flour.
½ teaspoon (2 ml) salt	Tip: If using an 8½ x 4½ x 2½-inch (21.6 x 11.4 x 6.3 cm) loaf pan, bake for 60 to 65 minutes.
¼ teaspoon (1 ml) cinnamon	Per Serving: About 300 cal, 4 g pro, 40 g carb, 15 g total fat, 5 g sat fat, 55 mg chol, 300 mg sod.
2 cups (475 ml) all-purpose flour*	
1 jar (3.25 oz. [92 g]) macadamia nuts	

Velvety Sour Cream Cheesecake

DESSERTS

Crust

- 16 squares (2½ in. [6.25 cm] each) graham crackers, broken
- ¼ cup (60 ml) butter or margarine, melted

Position multipurpose blade in work bowl. Add crackers. Process until fine crumbs form, 40 to 50 seconds. Drizzle butter over crumbs. Process until combined, 15 to 25 seconds. Press in bottom and 1½ inches (3.75 cm) up sides of 9-inch (23 cm) springform pan. Bake at 350°F (177°C) for 8 to 10 minutes, or until set. Cool.

Filling

- 2 packages (8 oz. [225 g] each) cream cheese, softened
- 2 eggs
- 1½ cups (315 ml) sour cream
- ¾ cup (160 ml) sugar
- 1 teaspoon (5 ml) vanilla
- ⅛ teaspoon (0.5 ml) salt

Wipe out work bowl. Position multipurpose blade in work bowl. Add cream cheese and eggs. Process until blended, 10 to 15 seconds. Add remaining ingredients. Process until smooth and blended, about 15 seconds, scraping sides of bowl if necessary.

Pour into crust. Bake at 350°F (177°C) for 40 to 50 minutes, or until edges are set and center is soft-set. Cool 1 to 2 hours on rack. Refrigerate at least 4 hours. Remove sides of pan to slice. If desired, serve with favourite fruit coulis, pie filling, or chocolate or fruit sauce.

Yield: 12 servings.

Per Serving: About 320 cal, 5 g pro, 21 g carb, 24 g total fat, 14 g sat fat, 95 mg chol, 230 mg sod.

Fresh Fruit Tart

Crust

- 1 cup (235 ml) all-purpose flour
- 2 teaspoons (10 ml) sugar
- $\frac{1}{4}$ teaspoon (1 ml) salt
- $\frac{1}{4}$ cup (60 ml) cold butter, cut into 1-inch (2.5 cm) pieces
- 1 tablespoon (15 ml) cold shortening
- 1 egg yolk
- 2 tablespoons (30 ml) ice water
- 1 teaspoon (5 ml) lemon juice
- 1 egg, blended with 1 tablespoon (15 ml) water

Filling

- $\frac{1}{4}$ cup (60 ml) sugar
- 1 tablespoon (15 ml) cornstarch
- $\frac{1}{8}$ teaspoon (0.5 ml) salt
- $\frac{3}{4}$ cup (175 ml) half-and-half
- 2 egg yolks, beaten
- $\frac{1}{2}$ teaspoon (2 ml) vanilla

Topping

- 1 medium peach, peeled, cut into halves, and pit removed
- 1 cup (235 ml) fresh strawberries, hulled
- 2 tablespoons (30 ml) apple jelly, melted

Position multipurpose blade in work bowl. Add flour, sugar, and salt. Process until mixed, about 2 seconds. Add butter and shortening. Pulse 3 to 4 times, 2 to 3 seconds each time, or until crumbly. In small bowl, blend 1 egg yolk, 2 tablespoons (30 ml) water, and lemon juice. Sprinkle evenly over flour mixture. Pulse 2 to 4 times, 2 to 3 seconds each time, or until mixture pulls away from sides of bowl and clings together. Remove dough, cover, and chill $\frac{1}{2}$ hour.

Meanwhile, in small saucepan over medium heat, combine sugar, cornstarch, and salt. Add half-and-half and 2 egg yolks. Cook and stir until very thick. Remove from heat. Add vanilla. Whisk until smooth. Cool completely.

Place dough on floured surface. Roll into a circle 2 inches (5 cm) larger than inverted 10-inch (25 cm) tart pan. Fit into tart pan, being careful not to stretch dough. Trim edges of crust. Prick shell thoroughly with fork. Bake at 425°F (218°C) for 8 to 12 minutes, or until light golden brown. Brush with egg and water mixture to seal holes. Bake for 1 minute longer to set egg. Cool completely.

Wash processor. Position 2 mm slicing disc in work bowl. Add peach. Process to slice. Remove and set aside. Position 2 mm slicing disc in work bowl. Add strawberries. Process to slice.

Spread custard mixture in crust. Arrange sliced fruit on custard. Carefully brush with melted jelly to cover fruit completely. Refrigerate at least 1 hour before serving.

Yield: 8 servings.

Tip: Tart is best served the same day it is made.

Per Serving: About 230 cal, 4 g pro, 27 g carb, 12 g total fat, 6 g sat fat, 125 mg chol, 130 mg sod.

Pear Hazelnut Crunch Pie

1 9-inch (23 cm) pastry crust (see page 50)

Fit crust into 9-inch (23 cm) pie plate. Flute edges; set aside.

Topping

1½ cups (355 ml) hazelnuts
½ cup (80 ml) all-purpose flour
½ cup (120 ml) packed brown sugar
½ cup (120 ml) rolled oats
¼ teaspoon (1 ml) cinnamon
¼ teaspoon (1 ml) nutmeg
½ cup (120 ml) butter or margarine, cut into pieces and softened

Position multipurpose blade in work bowl. Add all topping ingredients except butter. Pulse 4 to 5 times, about 2 seconds each time, or until nuts are coarsely chopped. Add butter. Pulse 4 to 5 times, about 3 seconds each time, or until crumbly. Remove and set aside.

Exchange multipurpose blade for 2 mm slicing disc in work bowl. Add pears. Process to slice. Remove to large mixing bowl. Add remaining filling ingredients. Mix well.

Add pear mixture to crust. Cover with hazelnut topping. Loosely cover pie with foil. Bake at 375°F (191°C) for 45 minutes. Remove foil. Bake an additional 15 to 30 minutes, or until filling is bubbly and fruit is tender.

Yield: 8 servings.

Tip: For apple and pear filling, substitute 2 large crisp apples for 2 pears.

Per Serving: About 560 cal, 7 g pro, 60 g carb, 35 g total fat, 11 g sat fat, 35 mg chol, 80 mg sod.

Filling

4 large firm pears, peeled, cut into halves lengthwise, and cored
¼ cup (60 ml) granulated sugar
1 tablespoon (15 ml) all-purpose flour
1 tablespoon (15 ml) lemon juice
½ teaspoon (2 ml) cinnamon

Pastry Crust

One Crust

- 1 cup (235 ml) all-purpose flour
- $\frac{1}{4}$ teaspoon (1 ml) salt
- $\frac{1}{4}$ cup (60 ml) cold shortening
- 1 tablespoon (15 ml) cold butter or margarine, cut up
- 2-4 tablespoons (30-60 ml) ice water

Two Crusts

- 2 cups (475 ml) all-purpose flour
- $\frac{3}{4}$ teaspoon (4 ml) salt
- $\frac{1}{2}$ cup (120 ml) cold shortening
- 3 tablespoons (45 ml) cold butter or margarine, cut up
- 5-7 tablespoons (75-105 ml) ice water

Position multipurpose blade in work bowl. Add flour and salt. Process until mixed, about 2 seconds. Add shortening and butter. Pulse 3 to 4 times, 2 to 3 seconds each time, or until crumbly. Sprinkle minimum amount of water evenly over mixture. Pulse 1 to 3 times, 2 to 3 seconds each time, or until mixture pulls away from sides of bowl and dry ingredients are moistened. Add additional water if necessary.

On lightly floured surface, shape into a ball (2 balls for 2-crust pie). Roll each ball into a circle 2 inches (5 cm) larger than inverted pie plate. Fit into pie plate. Proceed as directed in pie recipe.

To bake single crust shell, flute edges of crust. Prick shell thoroughly with fork. Bake at 425°F (218°C) for 9 to 12 minutes, or until light golden brown.

To bake 2-crust pie, follow directions in pie recipe.

Yield: 1 pie (8 servings).

Per Serving (one crust): About 120 cal, 2 g pro, 11 g carb, 8 g total fat, 2.5 g sat fat, 5 mg chol, 75 mg sod.

Per Serving (two crusts): About 260 cal, 4 g pro, 23 g carb, 17 g total fat, 6 g sat fat, 10 mg chol, 220 mg sod.

Carrot Cake With Cream Cheese Frosting

Cake

- 1 pound (455 g)
(6-7 medium) carrots
- 2 cups (475 ml) sugar
- $\frac{3}{8}$ cup (160 ml)
vegetable oil
- 3 eggs
- 2 teaspoons (10 ml)
vanilla
- $2\frac{1}{4}$ cups (535 ml)
all-purpose flour
- 2 teaspoons (10 ml)
baking soda
- 2 teaspoons (10 ml)
cinnamon
- $\frac{1}{2}$ teaspoon (2 ml) salt
- $\frac{1}{4}$ teaspoon (1 ml)
nutmeg
- $\frac{1}{2}$ cup (120 ml) pecan
halves or pieces
- $\frac{1}{4}$ cup (60 ml) raisins
- $\frac{1}{4}$ cup (60 ml) flaked
coconut

Position 4 mm shredding disc in work bowl. Add carrots, cutting to fit feed tube if necessary. Process to shred. (Yield should be about 3 cups [710 ml].)

Exchange shredding disc for multipurpose blade in work bowl. Add sugar, oil, eggs, vanilla, and carrots. Process until thoroughly mixed, 8 to 10 seconds. Scrape sides of bowl. Process 25 to 30 seconds longer to dissolve sugar. Spread flour, baking soda, cinnamon, salt, and nutmeg evenly over carrot mixture in bowl. Pulse 2 times, 2 to 3 seconds each time, or until just blended. Sprinkle nuts, raisins, and coconut evenly over batter. Process until just blended, 2 to 3 seconds.

Pour batter evenly into 2 greased and floured 9-inch (23 cm) round cake pans. Bake at 350°F (177°C) for about 30 minutes, or until wooden pick inserted in center comes out clean. Cool in pans on rack for 10 minutes. Remove layers from pans; cool completely. Frost with Cream Cheese Frosting.

Frosting

- $4\frac{1}{2}$ cups (1 l) powdered
sugar
- 6 ounces (170 g)
cream cheese,
softened and cut
into 8 pieces
- $\frac{1}{4}$ cup (60 ml) butter or
margarine, softened
- $\frac{3}{4}$ teaspoon (4 ml)
vanilla
- 1-2 teaspoons (5-10 ml)
milk

Position multipurpose blade in work bowl. Add powdered sugar, cream cheese, butter, vanilla, and 1 teaspoon (5 ml) milk. Process until thoroughly mixed, 15 to 20 seconds. With processor running, if necessary, add an additional 1 teaspoon (5 ml) milk through the small feed tube until frosting is spreading consistency.

Yield: 12 servings.

Tip: For rectangular-shaped cake, pour batter into greased and floured 9 x 13 x 2-inch (23 x 33 x 5 cm) baking pan. Bake at 350°F (177°C) for 40 to 50 minutes.

Per Serving: About 660 cal, 6 g pro, 103 g carb, 27 g total fat, 9 g sat fat, 80 mg chol, 400 mg sod.

Vanilla Chocolate Chunk Cookies

<i>½ cup (120 ml) butter or margarine, softened</i>	<p>Position multipurpose blade in work bowl. Add butter, shortening, granulated sugar, and brown sugar. Process until creamy, about 20 seconds. Add eggs, vanilla, baking soda, and salt. Process until well mixed, about 10 seconds. Add flour; evenly sprinkle white and milk chocolate over flour. Pulse 6 to 8 times, 2 to 3 seconds each time, or until mixed.</p> <p>Drop by level tablespoonfuls on ungreased baking sheets. Bake at 375°F (191°C) for 8 to 10 minutes, or until light golden brown. Remove to cooling rack.</p> <p>Yield: 4 dozen (1 cookie per serving).</p> <p>*For chewier cookies, use only 1 egg.</p> <p>Per Serving: About 110 cal, 1 g pro, 13 g carb, 6 g total fat, 3 g sat fat, 15 mg chol, 60 mg sod.</p>
<i>½ cup (80 ml) shortening</i>	
<i>½ cup (120 ml) granulated sugar</i>	
<i>½ cup (120 ml) packed brown sugar</i>	
<i>2 eggs*</i>	
<i>2 teaspoons (10 ml) vanilla</i>	
<i>1 teaspoon (5 ml) baking soda</i>	
<i>½ teaspoon (2 ml) salt</i>	
<i>2 cups (475 ml) all-purpose flour</i>	
<i>1¼ cups (295 ml) white chocolate chunks</i>	
<i>1¼ cups (295 ml) milk chocolate chunks</i>	

KitchenAid® Food Processor Warranty

Length of Warranty:	KitchenAid Canada Will Pay For:	KitchenAid Canada Will Not Pay For:
One Year Full warranty from date of purchase.	Replacement parts and repair labour costs to correct defects in materials and workmanship. Service must be provided by a designated KitchenAid Service Centre.	<ul style="list-style-type: none"> A. Repairs when Food Processor is used in other than normal single-family household use. B. Damage resulting from accident, alteration, misuse or abuse, fire, floods, acts of God, or use of products not approved by KitchenAid Canada. C. Any incidental shipping or handling costs to deliver your Food Processor to a designated KitchenAid Service Centre. D. Replacement parts or repair labour costs for Food Processor operated outside Canada.

KITCHENAID CANADA DOES NOT ASSUME ANY RESPONSIBILITY FOR INCIDENTAL OR CONSEQUENTIAL DAMAGES. Some provinces do not allow the exclusion or limitation of incidental or consequential damages, so this exclusion may not apply to you. This warranty gives you specific legal rights and you may also have other rights which vary from province to province.

How To Arrange For Warranty Service

First review the Troubleshooting section, to possibly avoid the need for service.

One Year Full warranty from date of purchase KitchenAid Canada will pay for replacement parts and repair labour costs to correct defects in materials and workmanship. Service must be provided by a designated KitchenAid Service Centre.

Take the Food Processor or ship prepaid and insured to a designated KitchenAid Service Centre. Your repaired Food Processor will be returned prepaid and insured.

If you are unable to obtain satisfactory service in this manner, contact KitchenAid Canada, 1901 Minnesota Court, Mississauga, Ontario L5N 3A7. Telephone 1-800-807-6777.

How To Arrange For Out-Of-Warranty Service



- First review the Troubleshooting section on page 13.
- Then, consult your telephone directory for a designated KitchenAid Service Centre near you. If one is not listed contact KitchenAid Service from anywhere in Canada at 1-800-807-6777.
- Take the Food Processor or ship prepaid and insured to a designated KitchenAid Service Centre. Your repaired Food Processor will be returned prepaid and insured.
- All out-of-warranty service should be handled by a designated KitchenAid Service Centre.

Preuve d'achat et enregistrement du produit

Gardez toujours une copie du reçu de caisse indiquant la date d'achat du robot culinaire. Une preuve d'achat est requise pour bénéficier du service après-vente couvert par la garantie.

Avant d'utiliser le robot culinaire, veuillez remplir la carte d'enregistrement emballée avec le produit et nous la retourner par la

poste. Cette carte nous permet de vous contacter dans le cas peu probable d'un avis de sécurité. Cette carte n'est pas une confirmation de votre garantie.

Notez les renseignements suivants à conserver dans vos dossiers personnels :

Numéro de modèle : _____

Numéro de série : _____

Date d'achat : _____

Nom du détaillant : _____

Table des matières

INTRODUCTION

Preuve d'achat et enregistrement du produit	60
Sécurité – Robot culinaire	63
Consignes de sécurité importantes.....	64
Alimentation électrique.....	65

CARACTÉRISTIQUES ET FONCTIONNEMENT

Caractéristiques du robot culinaire	66
Avant de se servir du robot culinaire	
Avant de se servir du robot pour la première fois.....	68
Assemblage du bol à préparation	68
Assemblage des lames polyvalente et pétrisseuse	70
Assemblage des disques éminceur et déchiqueteur	70
Assemblage du mini-bol	70
Assemblage du bol de chef	71
Assemblage et utilisation du fouet à oeufs.....	71
Assemblage et utilisation du presse-agrumes	72
Utilisation du robot culinaire	
Avant d'utiliser le robot culinaire.....	74
Verrouillage du poussoir	74
Niveau maximal de liquide	74
Mise en marche et arrêt du robot culinaire	74
Utilisation de la commande Pulse (à impulsion)	75
Poussoir en 2 morceaux	75
Démontage du robot culinaire	76

ENTRETIEN ET NETTOYAGE

Nettoyage du robot culinaire	78
Dépannage	79

Suite à la page suivante

Table des matières

CONSEILS POUR LA PRÉPARATION DES ALIMENTS

Utilisation de la lame polyvalente	80
Utilisation du disque éminceur ou déchiqueteur.....	81
Utilisation de la lame pétrisseuse.....	83
Utilisation du fouet à oeufs.....	83
Conseils utiles.....	84

RECETTES

Hors-d'œuvre	86
Salades et vinaigrettes	93
Soupes et sandwiches.....	99
Légumes et plats d'accompagnement	106
Plats principaux	111
Pains	118
Desserts.....	124

GARANTIE ET INFORMATION SUR LE SERVICE APRÈS-VENTE

Garantie du robot culinaire KitchenAid®	131
Comment se prévaloir du service après-vente couvert par la garantie.....	132
Pour se prévaloir du service après-vente après l'expiration de la garantie	132

Sécurité – Robot culinaire

Votre sécurité et celle des autres est très importante.

Nous donnons de nombreux messages de sécurité importants dans ce manuel et sur votre appareil ménager. Assurez-vous de toujours lire tous les messages de sécurité et de vous y conformer.



Voici le symbole d'alerte de sécurité.

Ce symbole d'alerte de sécurité vous signale les dangers potentiels de décès et de blessures graves à vous et à d'autres.

Tous les messages de sécurité suivront le symbole d'alerte de sécurité et le mot "DANGER" ou "AVERTISSEMENT". Ces mots signifient :



DANGER

Risque possible de décès ou de blessure grave si vous ne suivez pas immédiatement les instructions.



AVERTISSEMENT

Risque possible de décès ou de blessure grave si vous ne suivez pas les instructions.

Tous les messages de sécurité vous diront quel est le danger potentiel et vous disent comment réduire le risque de blessure et ce qui peut se produire en cas de non-respect des instructions.

CONSIGNES DE SÉCURITÉ IMPORTANTES

Lors de l'utilisation d'appareils électriques, il est important d'observer en tout temps certaines précautions élémentaires, notamment :

1. Lire toutes les directives.
2. Ne pas immerger le robot culinaire dans l'eau ni tout autre liquide pour éviter les risques de choc électrique.
3. Exercer une surveillance attentive lorsque tout appareil est utilisé par des enfants ou à proximité de ceux-ci.
4. Débrancher l'appareil après l'usage, avant de mettre ou de retirer des pièces et avant de le nettoyer.
5. Éviter de toucher les pièces en mouvement.
6. N'utiliser aucun appareil qui présente un défaut de fonctionnement, qui est tombé par terre ou qui a été endommagé de quelque façon que ce soit. Retourner l'appareil au Centre de service après-vente autorisé le plus proche pour le faire inspecter ou réparer, ou pour y faire effectuer des réglages électriques ou mécaniques.
7. L'utilisation d'accessoires non recommandés ou vendus par le fabricant peut poser des risques d'incendie, de choc électrique ou de blessures.
8. Ne pas utiliser l'appareil à l'extérieur.
9. Ne jamais laisser le cordon d'alimentation pendre d'une table ou d'un comptoir.
10. Éviter que les mains et les ustensiles viennent en contact avec les lames ou les disques en mouvement pendant la préparation des aliments pour réduire le risque de blessures graves ou de dommages au robot culinaire. L'usage d'un grattoir est permis, mais seulement lorsque le robot culinaire n'est pas en marche.
11. Les lames sont coupantes. Les manipuler avec précaution.
12. Pour réduire le risque de blessures, ne jamais placer la lame de coupe ou les disques sur le socle tant que le bol n'est pas mis convenablement en place.
13. S'assurer que le couvercle est bien verrouillé avant d'utiliser l'appareil.
14. Ne jamais enfoncer d'aliments avec les doigts. Toujours se servir du poussoir.
15. Ne jamais tenter de passer outre le mécanisme de verrouillage du couvercle.
16. Ce produit est homologué cUL pour usage domestique seulement.

CONSERVEZ CES DIRECTIVES

Alimentation électrique

Modèle 4KFPM770 :

Volts : 120 c.a. uniquement
Hertz : 60

⚠️ AVERTISSEMENT



Risque de choc électrique

Brancher sur une prise à 3 alvéoles reliée à la terre.

Ne pas enlever la broche de liaison à la terre.

Ne pas utiliser un adaptateur.

Ne pas utiliser un câble de rallonge.

Le non-respect de ces instructions peut causer un décès, un incendie ou un choc électrique.

REMARQUE : Le robot culinaire de modèle 4KFPM770 a une fiche mise à la terre à trois broches. Pour réduire le risque de choc électrique, il n'y a qu'une façon d'introduire cette fiche dans une prise. Si la fiche n'entre pas entièrement dans la prise, faire appel à un électricien qualifié. Ne jamais modifier la fiche d'aucune façon.

Ne pas utiliser de rallonge. Si le cordon d'alimentation est trop court, demander à un électricien qualifié ou à un technicien du service après-vente d'installer une prise à proximité de l'appareil.

Modèle 4KFPW760 :

Volts : 120 c.a. uniquement
Hertz : 60

REMARQUE : Le modèle 4KFPW760 est muni d'une fiche polarisée (une broche est plus large que l'autre). Pour réduire le risque de choc électrique, il n'y a qu'une façon d'introduire cette fiche dans une prise. Si la fiche n'entre pas entièrement dans la prise, il faut inverser la fiche. Si la fiche n'entre pas encore, faire appel à un électricien qualifié. Ne jamais modifier la fiche d'aucune façon.

Ne pas utiliser de rallonge. Si le cordon d'alimentation est trop court, demander à un électricien qualifié ou à un technicien du service après-vente d'installer une prise à proximité de l'appareil.

Caractéristiques du robot culinaire



Caractéristiques du robot culinaire

Couvercle du bol à préparation et goulotte Ultra Wide Mouth™

L'une des plus larges goulottes de l'industrie convenant aux gros aliments, notamment tomates, concombres et pommes de terre, grossièrement coupés ou tranchés.

Poussoir en 2 morceaux

Pour préparer de petits aliments, enlever le petit poussoir du tube situé au centre du grand poussoir. Le petit poussoir et la goulotte facilitent la préparation d'herbes, de noix, de carottes et de branches de céleri. Le petit poussoir peut aussi servir de tasse à mesurer pratique de 120 mL (4 oz).

Bol à préparation de 2,8 L (12 tasses)

Le bol robuste en polycarbonate transparent permet de préparer de grandes quantités d'aliments.

Bol de chef

Placer le bol de chef de 2,4 L (10 tasses) dans le bol à préparation, puis trancher ou déchiqueter un aliment tout en gardant le bol à préparation propre pour la préparation d'un autre ingrédient.

Mini-bol et mini-lame

Le bol de 945 mL (4 tasses) et la lame en acier inoxydable sont parfaits pour les petites quantités à hacher et à mélanger.

Disque éminceur fin (2 mm)

Ce disque coupe des tranches d'environ 2 mm ($\frac{1}{16}$ de po) d'épaisseur de presque n'importe quel aliment, des fraises délicates à la viande partiellement congelée.

Disque éminceur moyen (4 mm)

Ce disque coupe des tranches d'environ 4 mm ($\frac{1}{8}$ de po) d'épaisseur de presque n'importe quel aliment.

Disque déchiqueteur moyen (4 mm)

Ce disque râpe la plupart des fruits, des légumes et des fromages à consistance ferme en filaments d'environ 4 mm ($\frac{1}{8}$ de po) d'épaisseur.

Tige du disque

La tige s'insère sur l'axe du socle et à la base du disque éminceur ou déchiqueteur.

Lame polyvalente en acier inoxydable

Polyvalente, la lame hache, émince, mélange et émulsifie en quelques secondes.

Lame pétrisseuse

La lame pétrisseuse est spécialement conçue pour mélanger et pétrir les pâtes à levure.

Fouet à oeufs

Le fouet à oeufs fouette rapidement la crème et les blancs d'oeufs en neige pour confectionner meringues, mousses, soufflés et desserts.



Presse-agrumes

Le presse-agrumes comprend un panier-filtre, un cône en deux morceaux et un bras de levier. Se servir du grand cône amovible pour les gros aliments, comme les pamplemousses et le cône intérieur pour les citrons et les limes.



Socle robuste

Le socle incorpore les boutons On/Off/Pulse (marche/arrêt/à impulsion) ainsi que l'axe (arbre de commande) qui fait tourner les lames et les disques.

Caractéristiques du robot culinaire

Spatule / Outil de nettoyage

Sa forme spéciale permet d'enlever facilement les aliments des bols, des disques et des lames.

Boîte d'accessoires de chef

Élégante et robuste, la boîte de rangement aide à protéger les lames, les disques et les accessoires.



Avant de se servir du robot culinaire

AVERTISSEMENT

Risque de coupures accidentelles

Manipulez les lames avec précaution.

Le défaut d'observer cet avertissement peut entraîner des coupures accidentelles.

Avant de se servir du robot pour la première fois

Avant de se servir du robot culinaire pour la première fois, laver à la main ou au lave-vaisselle le bol à préparation, le couvercle du bol à préparation, le bol de chef, le mini-bol, la goulotte, le poussoir, les disques et les lames (consulter la section « Nettoyage du robot culinaire » à la page 78).

Assemblage du bol à préparation

1. Déposer le socle du robot culinaire sur une surface plane et sèche du comptoir, les commandes face à l'utilisateur. Ne pas brancher l'appareil avant qu'il ne soit entièrement assemblé.
2. En tenant la poignée légèrement à gauche du centre, placer le bol à préparation sur le socle en faisant passer l'axe du socle dans l'ouverture centrale du bol.

3. Saisir la poignée du bol à préparation et tourner le bol vers la droite jusqu'à ce qu'il s'enclenche.



4. Introduire l'accessoire désiré dans le bol à préparation. Consulter les pages 70 à 73 pour connaître les directives se rapportant aux accessoires.

Avant de se servir du robot culinaire

5. Placer le couvercle sur le bol à préparation de façon à ce que la goulotte soit légèrement à gauche de la poignée du bol. Saisir la goulotte et tourner le couvercle vers la droite jusqu'à ce qu'il s'enclenche.



REMARQUE : Ne pas fixer le couvercle sur le bol à préparation avant que le bol ne soit convenablement fixé et verrouillé sur le socle pour ne pas endommager le bol.

6. Insérer le poussoir en 2 morceaux dans la goulotte.



AVERTISSEMENT



Risque de choc électrique

Brancher sur une prise à 3 alvéoles reliée à la terre.

Ne pas enlever la broche de liaison à la terre.

Ne pas utiliser un adaptateur.

Ne pas utiliser un câble de rallonge.

Le non-respect de ces instructions peut causer un décès, un incendie ou un choc électrique.

7. Brancher le robot culinaire dans une prise de courant appropriée (voir les exigences relatives à l'alimentation électrique en page 65).

REMARQUE : Le robot culinaire se mettra en marche seulement si le bol à préparation et le couvercle du bol sont convenablement placés et verrouillés sur le socle et si le poussoir est inséré jusqu'à la ligne de remplissage maximal de la goulotte.

Ne jamais enlever le bol à préparation du socle avant d'avoir retiré le couvercle du bol pour ne pas risquer d'endommager le bol.

Suite à la page suivante

Avant de se servir du robot culinaire

! AVERTISSEMENT

**Risque de coupures
accidentelles**

**Manipulez les lames avec
précaution.**

**Le défaut d'observer cet
avertissement peut entraîner
des coupures accidentelles.**

Assemblage des lames polyvalente et pétrisseuse

Placer la lame sur l'axe du socle. Faire tourner la lame jusqu'à ce qu'elle s'ajuste sur le socle.

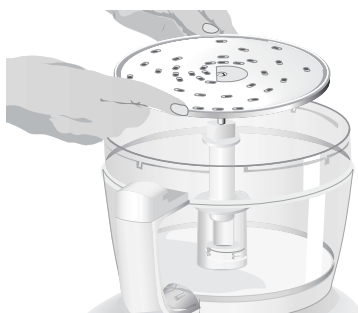


Assemblage des disques éminceur et déchiqueteur

1. Placer la tige du disque sur l'axe du socle.



2. Placer le disque sur la tige métallique, puis faire tourner le disque jusqu'à ce qu'il s'ajuste sur la tige.



Assemblage du mini-bol

1. Placer le mini-bol dans le bol à préparation sur l'axe du socle. Faire tourner le mini-bol jusqu'à ce qu'il s'ajuste. Lorsque le mini-bol est convenablement installé dans le bol à préparation, le mini-bol ne peut pas tourner.



2. Ajuster la mini-lame sur l'axe du socle. Il sera peut-être nécessaire de faire tourner la lame jusqu'à ce qu'elle s'ajuste.

Avant de se servir du robot culinaire

AVERTISSEMENT

Risque de coupures accidentelles

Manipulez les lames avec précaution.

Le défaut d'observer cet avertissement peut entraîner des coupures accidentelles.



Le mini-bol peut aussi être placé dans le bol de chef de façon similaire.

3. Pour retirer le mini-bol après l'usage, le soulever en plaçant les doigts sur les deux alvéoles situées en haut sur le pourtour du bol.



Assemblage du bol de chef

Placer le bol de chef dans le bol à préparation sur l'axe du socle. Faire tourner le bol de chef jusqu'à ce qu'il s'ajuste. Lorsque le bol de chef est convenablement installé dans le bol à préparation, le bol de chef ne peut pas tourner.

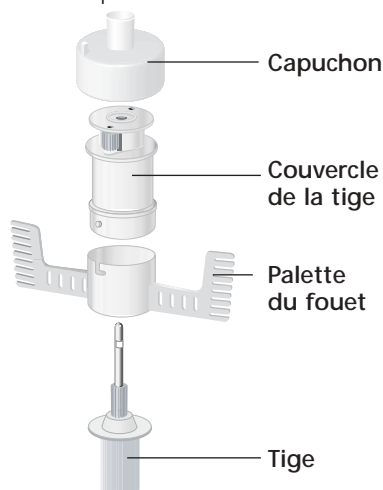
Le bol de chef peut seulement être utilisé avec un disque éminceur ou déchiqueteur – la lame polyvalente ne peut pas être utilisée avec ce bol. Pour retirer le bol de chef après l'usage, le soulever en plaçant les doigts sur les deux alvéoles situées en haut sur le pourtour du bol.

Assemblage et utilisation du fouet à oeufs

Le fouet à oeufs est conçu pour battre les blancs d'oeufs ou fouetter la crème épaisse et faire des garnitures ou des meringues. Pour obtenir les meilleurs résultats possibles, utilisez au moins 235 mL (une tasse) de crème ou au moins trois (3) blancs d'oeufs à la fois – une quantité moindre ne permettra pas d'obtenir le volume maximal.

Assemblage :

Le fouet à oeufs est formé de 4 morceaux : la tige du fouet à oeufs, le couvercle de la tige, la palette du fouet et le capuchon.



1. Placer la tige du fouet à oeufs sur l'axe du socle. Tourner lentement la tige jusqu'à ce qu'elle s'enclenche sur l'axe.

Suite à la page suivante

Avant de se servir du robot culinaire

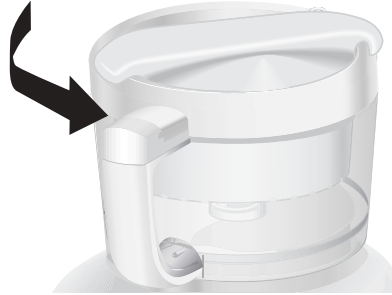
- Aligner l'encoche en forme de « L » qui se trouve sur la palette du fouet sur la pointe arrondie de la base du couvercle de la tige, et glisser la palette sur le couvercle. Verrouiller la palette en la tournant légèrement.
- Ajuster le couvercle de la tige et la palette sur la tige du fouet à oeufs et les enfoncer jusqu'à ce que les saillies de la tige s'engagent dans les nervures de la palette.
- Ajuster le capuchon sur la tige du fouet à oeufs et appuyer dessus pour verrouiller.
- Mettre le couvercle du bol à préparation sur le bol à préparation de façon à ce que la goulotte soit légèrement à gauche de la poignée du bol. Veiller à ce que la goupille centrale du fouet s'engage dans l'ouverture centrale du couvercle. Saisir la goulotte et tourner le couvercle vers la droite pour le verrouiller. Insérer le poussoir dans la goulotte. Le fouet à oeufs est maintenant prêt à fonctionner.
- Appuyer sur le bouton On et fouetter les ingrédients jusqu'à l'obtention de la consistance et du volume désirés. Appuyer sur le bouton Off lorsque c'est terminé.

Démontage :

- Débrancher le socle. Enlever le couvercle du bol à préparation en le tournant dans le sens horaire.
- Soulever l'ensemble du fouet à oeufs pour le retirer de l'axe du socle. Enlever les ingrédients fouettés du bol à préparation.
- Enlever le capuchon de l'ensemble du fouet à oeufs en tirant. Appuyer sur la goupille de la tige pour retirer la tige du couvercle de la tige. Tourner la palette du fouet pour la déverrouiller, et la retirer en la glissant du couvercle de la tige.

Assemblage et utilisation du presse-agrumes

- Placer le bol à préparation sur le socle et le verrouiller.
- Placer le panier-filtre dans le bol en mettant la pince de verrouillage à gauche de la poignée du bol à préparation.
- Tourner le panier-filtre dans le sens antihoraire jusqu'à ce que la pince s'enclenche dans la poignée.



- Le cône en deux morceaux offre deux tailles; choisir la taille qui convient au fruit dont on veut extraire le jus. Se servir du cône extérieur pour les pamplemousses, les oranges et autres gros fruits. Le retrait du gros cône permet de voir le petit cône intérieur, parfait pour les citrons et les limes.
- Ouvrir le couvercle et placer le cône dans le panier-filtre sur la tige du socle. Tourner au besoin le cône pour qu'il s'ajuste sur la tige.



Avant de se servir du robot culinaire

- Couper les fruits en deux.
- Placer une moitié de fruit sur le cône.
- Fermer le couvercle du panier-filtre. Tenir fermement le bras de levier et l'abaisser, paume ouverte, pour maintenir une pression uniforme. Mettre le presse-agrumes en marche seulement lorsque le levier est abaissé et qu'il maintient le fruit en place sur le cône.



REMARQUE : L'utilisation du presse-agrumes sans le bras de levier amovible est déconseillée. L'utilisateur qui décide toutefois de se servir du presse-agrumes sans son bras de levier doit retirer le bras amovible du panier-filtre (voir l'étape 13).

- Mettre en marche le presse-agrumes en appuyant sur le bouton On (Mise en marche) ou le bouton Pulse (Impulsion).
- Quand tout le jus est extrait du fruit, appuyer sur le bouton Off (Arrêt).

REMARQUE : Ne pas dépasser la ligne indiquant la limite maximale de liquide sur le bol à préparation, pour éviter que le jus s'échappe du bol.

- Déverrouiller le panier-filtre en le tournant dans le sens horaire. Retirer le fruit, le cône et le panier-filtre du bol à préparation.
- Retirer le bol à préparation du robot culinaire et verser le jus dans le contenant de son choix.
- Pour détacher le bras de levier amovible du panier-filtre afin de bien le nettoyer, tirer l'attache au fond du panier en l'éloignant du côté du panier et retirer le bras de levier.
- Au moment de replacer le bras de levier sur le panier-filtre, s'assurer que l'attache s'insère bien dans une paire de trous au fond du panier.

Utilisation du robot culinaire

AVERTISSEMENT



Danger : Lames en mouvement

Servez-vous toujours du poussoir.

Gardez les doigts hors des ouvertures.

Gardez hors de la portée des enfants.

Le défaut d'observer cet avertissement peut entraîner l'amputation ou des coupures accidentelles.

Avant d'utiliser le robot culinaire

Avant de mettre le robot culinaire en marche, s'assurer que le bol à préparation, les lames et le couvercle du bol à préparation sont convenablement assemblés sur le socle du robot culinaire. (Consulter la section « Avant de se servir du robot culinaire » à la page 68.)

Verrouillage du poussoir

Le poussoir fait partie du système de verrouillage de sécurité. Le robot culinaire ne peut se mettre en marche que si le poussoir est inséré jusqu'à la ligne de remplissage maximal de la goulotte.



Niveau maximal de liquide

Le repère sur le bol à préparation indique le niveau maximal de liquide pouvant être préparé par le robot culinaire.



Mise en marche et arrêt du robot culinaire

1. Appuyer sur le bouton On pour mettre le robot culinaire en marche. L'appareil fonctionnera sans interruption et le témoin lumineux s'allumera.



2. Pour arrêter le robot culinaire, appuyer sur le bouton Off. Le témoin lumineux s'éteindra et un frein automatique arrêtera en quelques secondes le mouvement de la lame ou du disque.

Utilisation du robot culinaire

AVERTISSEMENT



Danger : Lames en mouvement
Servez-vous toujours du poussoir.
Gardez les doigts hors des ouvertures.
Gardez hors de la portée des enfants.
Le défaut d'observer cet avertissement peut entraîner l'amputation ou des coupures accidentelles.

3. Attendre l'arrêt complet de la lame ou du disque avant d'enlever le couvercle du bol à préparation. S'assurer d'éteindre le robot culinaire avant d'enlever le couvercle du bol à préparation ou de débrancher l'appareil.

REMARQUE : Si l'appareil ne fonctionne pas, vérifier que le bol à préparation et le couvercle sont verrouillés correctement sur le socle et que le poussoir est inséré jusqu'à la ligne de remplissage maximal de la goulotte. (Consulter la section « Avant de se servir du robot culinaire » à la page 68.)

Utilisation de la commande Pulse (à impulsion)

La commande Pulse offre un contrôle précis de la durée et de la fréquence du traitement des aliments. Elle est idéale pour les tâches exigeant un traitement délicat. Il suffit d'appuyer sur le bouton Pulse et de le maintenir enfoncé pour que le robot se mette à fonctionner, puis de relâcher ce bouton pour qu'il s'arrête. Le témoin lumineux s'allume chaque fois que l'on appuie sur le bouton Pulse.

Poussoir en 2 morceaux

Pour trancher ou déchiqueter de petits aliments, insérer le poussoir en 2 morceaux dans la goulotte, puis tourner le petit poussoir central vers la droite pour le déverrouiller et le retirer. Utiliser la goulotte centrale et le poussoir pour préparer les aliments minces ou petits, ou pour ajouter du liquide lorsque le robot culinaire est en marche. Lorsque la petite goulotte ne sert pas, verrouiller le petit poussoir en le tournant dans le sens antihoraire.



Démontage du robot culinaire

AVERTISSEMENT

**Risque de coupures
accidentelles**

**Manipulez les lames avec
précaution.**

**Le défaut d'observer cet
avertissement peut entraîner
des coupures accidentelles.**

REMARQUE : Si l'utilisateur n'arrive pas à retirer le poussoir de la goulotte, c'est probablement parce que des particules d'aliments sont coincées dans le système de verrouillage. Pour libérer le poussoir, tremper le couvercle du bol à préparation dans l'eau tiède ou le laver au lave-vaisselle.

1. Tourner le couvercle du bol à préparation vers la gauche et le retirer.



2. Quand on se sert d'un disque, il faut l'enlever avant de retirer le bol. Placer deux doigts sous chaque côté du disque et soulever tout droit. Enlever la tige du disque.



3. Quand on se sert du mini-bol ou du bol de chef, retirer le bol en plaçant deux doigts dans les alvéoles situées en haut sur le pourtour du bol.



Démontage du robot culinaire

4. Tourner le bol à préparation vers la gauche pour le dégager du socle. Le soulever pour le retirer.



5. On peut retirer la lame polyvalente du bol à préparation avant de vider son contenu. La lame peut aussi être maintenue en place pendant que l'on vide le contenu du bol. Pour ce faire, il suffit de saisir le bol par dessous en mettant un doigt dans l'ouverture du centre pour maintenir la lame en place, puis de vider le bol et de nettoyer la lame à l'aide d'une spatule.



Nettoyage du robot culinaire

AVERTISSEMENT

Risque de coupures accidentelles

Manipulez les lames avec précaution.

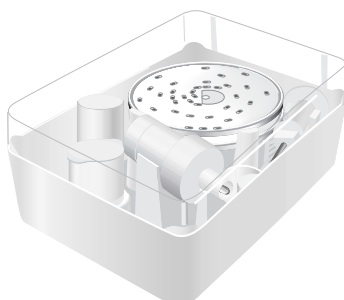
Le défaut d'observer cet avertissement peut entraîner des coupures accidentelles.

1. Appuyer sur le bouton Off et débrancher le robot culinaire avant de le nettoyer.
2. Nettoyer le socle en métal et le cordon d'alimentation avec un chiffon humecté d'eau tiède savonneuse et l'essuyer avec un chiffon humide. Sécher ensuite avec un chiffon doux. Ne pas utiliser de détergents abrasifs ou de tampons à récurer.
3. Toutes les autres pièces du robot culinaire vont au lave-vaisselle. Veiller à les placer loin des éléments chauffants exposés à l'intérieur du lave-vaisselle. Pour laver les pièces du robot culinaire à la main, éviter d'utiliser des détergents abrasifs ou des tampons à récurer. Ceux-ci pourraient rayer le bol à préparation et le couvercle ou les ternir. Sécher soigneusement toutes les pièces après les avoir lavées.

4. Toujours ranger le bol à préparation et le couvercle du bol en position déverrouillée lorsque le robot n'est pas utilisé afin de ne pas endommager le système de verrouillage.



5. Enrouler le cordon d'alimentation autour du bol à préparation. Fixer la fiche au cordon.
6. Les disques, les axes et les lames démontés doivent être rangés dans la boîte de rangement fournie avec le robot culinaire et dans un endroit sûr hors de la portée des enfants.



Dépannage

- **Si le robot culinaire ne fonctionne pas lorsqu'il est mis sous tension :**

- S'assurer que le bol à préparation et le couvercle du bol sont convenablement verrouillés sur le socle et que le poussoir est inséré jusqu'à la ligne de remplissage maximal de la goulotte.

- S'assurer que le robot culinaire est branché sur une prise appropriée (voir la section « Alimentation électrique » à la page 65). Si c'est le cas, le débrancher, puis le rebrancher sur la même prise. S'il ne fonctionne toujours pas, vérifier le fusible ou le disjoncteur du circuit électrique sur lequel le robot culinaire est branché et s'assurer que le circuit est fermé.

- **Si le robot culinaire s'éteint pendant la préparation :**

- Le robot culinaire surchauffe peut-être. Si le moteur dépasse une certaine température, le robot culinaire s'arrête automatiquement pour empêcher les dommages. Cela se produit très rarement. Dans ce cas, appuyer sur le bouton Off et laisser refroidir le robot culinaire pendant 15 minutes avant de le remettre en marche. Si le robot culinaire ne fonctionne toujours pas, le laisser refroidir encore 15 minutes.

- **Si le poussoir se retire difficilement de la goulotte :**

- Des particules d'aliments sont probablement coincées dans le système de verrouillage. Pour libérer le poussoir, tremper le couvercle du bol à préparation dans l'eau tiède ou le laver au lave-vaisselle.

Si le problème persiste après l'application des mesures énoncées dans la présente section, consulter la section Garantie et information sur le service après-vente KitchenAid aux pages 131 et 132. Ne pas retourner le robot culinaire au détaillant – les détaillants n'offrent pas le service après-vente.

Pour obtenir de l'aide de partout au Canada, appeler, sans frais, le Centre d'interaction avec la clientèle KitchenAid entre 8 h 30 et 17 h 30 (HE) au numéro 1 800 461-5681 ou écrire à l'adresse suivante :
Centre des relations avec la clientèle
KitchenAid Canada
1901 Minnesota Court
Mississauga, ON L5N 3A7

Conseils pour la préparation des aliments



UTILISATION DE LA LAME POLYVALENTE

Pour hacher des fruits ou des légumes frais :

Peler, évider, enlever les pépins. Couper les aliments en morceaux de 2,5 cm à 3,75 cm (1 po à 1½ po). Hacher les aliments par brèves impulsions, de 1 à 2 secondes chacune, jusqu'à ce qu'ils aient la taille voulue. Racler les parois du bol au besoin.

Pour réduire des fruits et des légumes cuits en purée (sauf les pommes de terre) :

Ajouter 60 mL (¼ de tasse) du liquide de la recette par tasse d'ingrédients. Hacher les ingrédients par brèves impulsions jusqu'à ce qu'ils soient hachés fin. Puis, faire tourner le robot sans interruption jusqu'à ce qu'ils aient la consistance voulue. Racler les parois du bol au besoin.

Pour préparer une purée de pommes de terre :

Placer le bol de chef dans le bol à préparation. Déchiqueter les pommes de terre cuites chaudes à l'aide du disque déchiqueteur. Retirer le bol de chef avec les pommes de terre. Placer la lame polyvalente dans le bol à préparation, puis y ajouter les pommes de terre déchiquetées, du beurre mou, du lait et l'assaisonnement. Hacher par impulsions 3 ou 4 fois, de 2 à 3 secondes chaque fois, jusqu'à ce que le lait soit absorbé et que la consistance soit lisse. Ne pas trop faire tourner le robot.

Pour hacher des fruits secs (ou collants) :

Les ingrédients doivent être froids. Ajouter 60 mL (¼ de tasse) de farine de la recette par 120 mL (½ tasse) de fruits secs. Hacher par brèves impulsions jusqu'à l'obtention de la consistance voulue.

Pour hacher finement les zestes d'agrumes :

Peler à l'aide d'un couteau bien aiguisé la partie colorée du zeste de l'agrumé (sans membrane blanche). Couper le zeste en fines lanières. Faire tourner le robot jusqu'à ce que le zeste soit haché fin.

Pour émincer de l'ail ou hacher des fines herbes fraîches ou de petites quantités de légumes :

Pendant que le robot tourne, ajouter les ingrédients par la petite goulotte. Faire tourner le robot jusqu'à ce qu'ils soient hachés. Pour de meilleurs résultats, veiller à ce que le bol à préparation et les ingrédients soient bien secs avant de hacher de l'ail ou des fines herbes fraîches.

Pour hacher des noix ou faire du beurre de noix :

Hacher au plus 710 mL (3 tasses) de noix jusqu'à l'obtention de la consistance voulue par brèves impulsions de 1 à 2 secondes chacune. Pour une consistance plus grossière, hacher moins d'ingrédients à la fois, en 1 ou 2 impulsions de 1 à 2 secondes chaque fois. Donner des impulsions plus fréquentes pour obtenir une consistance plus fine. Pour faire du beurre de noix, faire tourner le robot sans interruption jusqu'à l'obtention d'une consistance lisse. Réfrigérer.

Conseils pour la préparation des aliments

Pour hacher viande, volaille ou fruits de mer cuits ou crus :

Les ingrédients doivent être très froids. Les couper en morceaux de 2,5 cm (1 po). Hacher au plus 455 g (1 livre) à la fois jusqu'à l'obtention de la consistance voulue par brèves impulsions de 1 à 2 secondes chacune. Racler les parois du bol au besoin.

Pour faire de la chapelure, des miettes de biscuits ou de craquelins :

Briser les ingrédients en morceaux de 3,75 cm à 5 cm (1½ po à 2 po). Faire tourner le robot jusqu'à ce qu'ils soient hachés fin. Pour une consistance plus grossière, hacher en 2 ou 3 impulsions de 1 à 2 secondes chaque fois. Faire ensuite tourner le robot jusqu'à ce qu'ils soient hachés fin.

Pour faire fondre le chocolat d'une recette :

Dans le bol à préparation, mélanger le chocolat et le sucre de la recette. Faire tourner le robot jusqu'à ce que le chocolat soit haché fin. Faire chauffer le liquide de la recette. Pendant que le robot tourne, ajouter le liquide chaud par la petite goulotte. Continuer à faire tourner le robot jusqu'à l'obtention d'une consistance lisse.

Pour râper des fromages à pâte dure comme le parmesan et le romano :

Ne jamais tenter de râper du fromage dans lequel on ne peut insérer la lame d'un couteau aiguisé. On peut se servir de la lame polyvalente pour râper des fromages à pâte dure. Couper le fromage en morceaux de 2,5 cm (1 po). Mettre dans le bol à préparation. Hacher par brèves impulsions jusqu'à ce que le fromage soit haché grossièrement.

Faire ensuite tourner le robot sans interruption jusqu'à ce qu'il soit râpé fin. On peut aussi ajouter des morceaux de fromage par la petite goulotte pendant que le robot tourne.



UTILISATION DU DISQUE ÉMINCEUR OU DÉCHIQUETEUR

REMARQUE : Quand on coupe des aliments et qu'on les dépose dans la goulotte Ultra Wide Mouth™, il ne faut pas dépasser la ligne de remplissage maximal; le poussoir pourra ainsi enclencher le système de verrouillage et l'appareil pourra se mettre en marche.

Pour couper des morceaux de légumes et de fruits en julienne ou en bâtonnets :

Couper les ingrédients pour qu'ils puissent entrer horizontalement dans la goulotte. Mettre les ingrédients à l'horizontale dans la goulotte. Faire passer les aliments dans le robot en appuyant uniformément pour faire des bâtonnets. Remettre les tranches à la verticale ou à l'horizontale dans la goulotte. Les faire passer dans le robot en exerçant une pression uniforme.



Conseils pour la préparation des aliments

Pour trancher ou déchiqueter des fruits ou légumes longs et de diamètre relativement petit, comme le céleri, les carottes ou les bananes :

Couper les ingrédients pour qu'ils puissent entrer dans la goulotte horizontalement ou verticalement. Bien remplir la goulotte afin d'assurer que les ingrédients restent en place. Faire passer les aliments dans le robot en exerçant une pression uniforme. On peut également utiliser la petite goulotte du poussoir en deux morceaux. Placer les aliments à la verticale dans la goulotte et se servir du petit poussoir pour faire passer les aliments dans le robot culinaire.



Pour trancher ou déchiqueter des fruits ou légumes ronds, comme les oignons, les pommes ou les poivrons verts :

Peler, évider, enlever les pépins. Couper les aliments en deux ou en quatre pour qu'ils puissent entrer dans la goulotte. Placer les aliments dans la goulotte et les faire passer dans le robot en exerçant une pression uniforme.

Pour trancher ou déchiqueter de petits fruits ou légumes, comme les fraises, les champignons ou les radis :

Mettre les ingrédients verticalement ou horizontalement, en couches successives, dans la goulotte. Remplir la goulotte de façon à ce que les ingrédients restent en place sans dépasser la ligne de remplissage maximal. Faire passer les aliments dans le robot en exerçant une pression uniforme. On peut aussi se servir de la petite goulotte du

poussoir en deux morceaux. Placer les aliments à la verticale dans la goulotte et utiliser le petit poussoir pour faire passer les aliments dans le robot culinaire.

Pour déchiqueter les épinards et autres légumes à feuilles :

Empiler les feuilles. Les enrouler et placer les rouleaux debout dans la goulotte.

Faire passer les aliments dans le robot en exerçant une pression uniforme.



Pour trancher de la viande ou de la volaille crue, comme les viandes pour les sautés :

Couper ou rouler les ingrédients pour pouvoir les introduire dans la goulotte. Envelopper et congeler les aliments jusqu'à ce qu'ils soient durs (de 30 minutes à 2 heures, selon l'épaisseur). S'assurer que l'on peut encore y introduire la pointe d'un couteau aiguisé. Sinon, laisser décongeler légèrement la viande. Faire passer les aliments dans le robot en exerçant une pression uniforme.

Pour trancher de la viande ou de la volaille cuite, comme le salami, le pepperoni, etc. :

Les ingrédients doivent être très froids. Les couper en morceaux pour pouvoir les introduire dans la goulotte. Faire passer les aliments dans le robot en exerçant une pression ferme et uniforme.

Pour râper les fromages à pâte molle ou à pâte dure :

Les fromages à pâte dure doivent être très froids. Pour obtenir de meilleurs résultats avec les fromages à pâte molle comme le mozzarella, congeler

Conseils pour la préparation des aliments

le fromage pendant 10 à 15 minutes avant de le râper. Le couper pour pouvoir l'introduire dans la goulotte, puis le faire passer dans le robot en exerçant une pression uniforme.



UTILISATION DE LA LAME PÉTRISSEUSE

La lame pétrisseuse est spécialement conçue pour mélanger et pétrir vite et bien les pâtes à levure. Pour obtenir de meilleurs résultats, ne pas pétrir une recette nécessitant plus de 475 à 710 mL (2 à 3 tasses) de farine.



UTILISATION DU FOUET À OEUFS

Pour faire de la meringue :

Mettre trois blancs d'œufs et 1 mL ($\frac{1}{4}$ c. à thé) de crème de tartre dans le bol à préparation muni du fouet à oeufs. Faire tourner le robot jusqu'à l'obtention d'une consistance mousseuse, environ 30 à 45 secondes. Pendant que le robot est en marche, ajouter lentement 80 mL ($\frac{1}{2}$ de tasse) de sucre par la petite goulotte. Continuer jusqu'à la formation de pics fermes, environ 2½ à 3 minutes. Arrêter le robot de temps à autre pour vérifier la consistance du mélange.

Pour fouetter de la crème :

Mettre de la crème épaisse dans le bol à préparation muni du fouet à oeufs. Faire tourner le robot pendant 30 secondes. Pendant que le robot est en marche, ajouter 30 mL (2 c. à soupe) de sucre en poudre par la petite goulotte. Laisser tourner jusqu'à la formation de pics mous, environ 30 à 40 secondes. Arrêter le robot de temps à autre pour vérifier la consistance du mélange. Pendant que le robot est en marche, ajouter 2 mL ($\frac{1}{2}$ c. à thé) de vanille, si désiré, par la petite goulotte et continuer de faire tourner le robot jusqu'à l'obtention d'un mélange homogène. Ne pas trop faire tourner le robot.

Conseils utiles

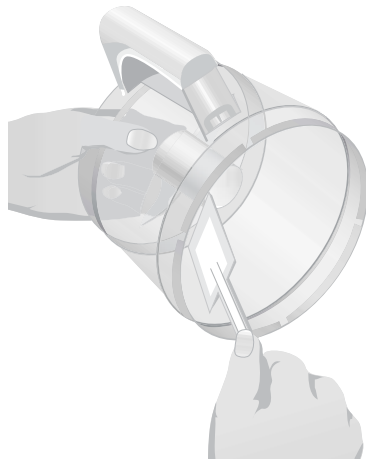
1. Au moment de couper des aliments et de les déposer dans la goulotte Ultra Wide Mouth™, ne pas dépasser la ligne de remplissage maximal. Le poussoir pourra ainsi enclencher le système de verrouillage et l'appareil pourra se mettre en marche.
2. Ne jamais hacher un ingrédient trop dur ou trop congelé dans lequel on ne peut introduire la pointe d'un couteau aiguisé. Les aliments durs peuvent abîmer la lame ou le moteur. Si un morceau d'aliment dur, comme une carotte, se trouve coincé sur la lame, arrêter le robot et enlever la lame. Dégager délicatement l'aliment de la lame.
3. Ne pas trop remplir le bol à préparation ou le mini-bol. Pour les mélanges clairs, remplir le bol à préparation jusqu'à la moitié ou aux deux tiers seulement. Pour les mélanges épais, remplir le bol à préparation jusqu'aux trois-quarts. Pour les liquides, remplir jusqu'au niveau maximal indiqué sur le bol à préparation, décrit à la page 74. Pour hacher, le bol à préparation ne doit pas être rempli à plus du tiers ou de la moitié. Se servir du mini-bol pour des quantités inférieures à 235 mL (1 tasse) de liquide ou 120 mL (½ tasse) d'ingrédients solides.
4. Placer le disque éminceur de façon à ce que la surface coupante soit à droite de la goulotte pour permettre une rotation complète de la lame avant qu'elle n'entre en contact avec les aliments.
5. Pour tirer profit au maximum de la vitesse du robot, verser les ingrédients à hacher par la petite goulotte pendant que le robot est en marche.
6. Pour de meilleurs résultats, varier la pression exercée en fonction des ingrédients lorsqu'on tranche ou déchiquette. En principe, il faut exercer une légère pression pour les ingrédients délicats et mous (fraises, tomates, etc.), une pression moyenne pour les ingrédients à texture moyenne (courgettes, pommes de terre, etc.) et une pression ferme pour les ingrédients plus durs (carottes, pommes, fromages à pâte dure, viandes partiellement congelées, etc.).
7. Les fromages à pâte molle ou moyennement dure peuvent s'étaler ou s'enrouler sur le disque déchiqueteur. Pour éviter ce problème, ne râper que des fromages froids.
8. Certains ingrédients minces comme les carottes et le céleri que l'on dispose seuls dans la goulotte peuvent tomber de côté, ce qui donne des tranches irrégulières. Pour minimiser ce problème, couper l'aliment en plusieurs morceaux et placer ces morceaux ensemble dans la goulotte. La petite goulotte du poussoir en deux morceaux est aussi très pratique pour faire passer les ingrédients petits ou minces dans le robot culinaire.



Conseils utiles

9. Pour la préparation de pâte à gâteaux, biscuits ou pains éclairés, se servir de la lame polyvalente pour bien mélanger d'abord les matières grasses et le sucre de façon à obtenir un mélange crémeux. Ajouter les ingrédients secs en dernier. Mettre les noix et les fruits sur le mélange de farine pour éviter de trop travailler la pâte. Hacher les noix et les fruits par brèves impulsions jusqu'à ce qu'ils soient bien mélangés avec les autres ingrédients. Ne pas trop faire tourner le robot.
10. Lorsque les aliments tranchés ou déchiquetés s'empilent d'un côté du bol, arrêter le robot et redistribuer les ingrédients à l'aide d'une spatule.
11. Lorsque les aliments atteignent le dessous du disque éminceur ou déchiqueteur, arrêter le robot et retirer les aliments.
12. Il se peut qu'une fois les ingrédients tranchés ou déchiquetés, quelques gros morceaux restent au-dessus du disque. Ils peuvent être coupés à la main et ajoutés au reste du mélange si désiré.
13. Organiser les tâches à accomplir pour minimiser le nettoyage du bol. Préparer les ingrédients secs ou durs avant les ingrédients liquides.
14. Pour nettoyer facilement la lame polyvalente, il suffit de vider le bol à préparation, de remettre le couvercle en place et de faire tourner la lame par impulsions de 1 à 2 secondes jusqu'à ce qu'elle soit propre.
15. Après avoir retiré le couvercle du bol à préparation, déposer le couvercle à l'envers sur le comptoir. Cette mesure aidera à garder le comptoir propre.

16. Pour vider le bol à préparation sans enlever la lame polyvalente, saisir le bol à préparation par dessous en mettant un doigt à travers l'ouverture du centre pour maintenir la lame en place. Vider ensuite le bol et nettoyer la lame à l'aide d'une spatule.



17. Le robot culinaire n'est pas conçu pour exécuter les opérations suivantes :
 - moudre les grains de café, les grains de céréales ou les épices dures;
 - moudre les os ou autres parties non comestibles des aliments;
 - liquéfier les fruits ou les légumes crus;
 - trancher les oeufs durs ou les viandes non réfrigérées.
18. Si une pièce en plastique se décolore au contact des aliments préparés, la nettoyer simplement avec du jus de citron.

Champignons farcis à la saucisse

- 1 *gros croissant ou tranche de pain blanc, en morceaux*
- 1 *échalote, coupée en quatre*
- 1 *gousse d'ail*
- 15 *gros champignons, lavés (environ 395 g [14 oz])*
- 170 *g (6 oz) de chair à saucisse*
- 5 *mL (1 c. à thé) de sauce Worcestershire*
- 2 *mL (½ c. à thé) de moutarde sèche*
- 1 *mL (¼ c. à thé) de sauce au piment fort*
- 235 *mL (1 tasse) de fromage cheddar râpé*
- 30 *mL (2 c. à soupe) de ciboulette fraîche coupée, au goût*

Placer le mini-bol et la mini-lame dans le bol à préparation. Ajouter le croissant. Faire tourner le robot jusqu'à l'obtention de miettes fines, soit de 10 à 20 secondes. Retirer et réserver.

Placer le mini-bol et la mini-lame dans le bol à préparation. Ajouter l'échalote et l'ail. Faire tourner le robot jusqu'à ce que les ingrédients soient hachés fin, soit pendant 5 à 10 secondes. Retirer le pied des champignons; ajouter 120 mL (½ tasse) de pieds au mélange d'échalote dans le mini-bol. Hacher par impulsions 3 ou 4 fois, environ 1 seconde chaque fois, ou jusqu'à ce que les ingrédients soient hachés.

Dans une poêle moyenne, à feu moyen, faire cuire la chair à saucisse jusqu'à ce qu'elle soit bien cuite et qu'elle perde sa couleur rosée. Égoutter. Ajouter le mélange de champignons; faire cuire 2 à 4 minutes, ou jusqu'à ce que le mélange soit tendre, en remuant souvent.

Remplacer le mini-bol et la mini-lame par la lame polyvalente dans le bol à préparation. Ajouter le mélange de saucisse, la chapelure, la sauce Worcestershire, la moutarde, la sauce de piment et le fromage. Faire tourner le robot jusqu'à l'obtention d'un mélange homogène, de 3 à 5 secondes.

Disposer les chapeaux de champignon, creux vers le haut, dans un moule de 33 x 23 x 5 cm (13 x 9 x 2 po). À l'aide d'une cuillère, remplir les chapeaux d'une généreuse quantité du mélange de saucisse en le pressant. Faire cuire à 177 °C (350 °F) 15 à 20 minutes, ou jusqu'à ce que les champignons soient tendres. Saupoudrer de ciboulette, au goût.

Donne : 5 portions de 3 champignons.

Conseil : La farce peut être préparée la veille et réfrigérée. La laisser atteindre la température ambiante avant de farcir les champignons.

Par portion : Environ 230 calories, 11 g de protéines, 10 g de glucides, 17 g de matières grasses totales, 8 g de graisses saturées, 45 mg de cholestérol, 390 mg de sodium.

Craquelins de blé au cheddar

55 g (2 onces) de fromage cheddar piquant, réfrigéré	Placer le disque déchiqueteur de 4 mm dans le bol à préparation. Ajouter les fromages cheddar et parmesan. Faire tourner le robot pour râper le fromage. Réserver.
30 g (1 once) de fromage parmesan, à la température de la pièce	
175 mL (¾ de tasse) de flocons d'avoine	Remplacer le disque déchiqueteur par la lame polyvalente dans le bol à préparation. Ajouter les flocons d'avoine et les noix. Hacher par impulsions 3 ou 4 fois, environ 5 secondes chaque fois, ou jusqu'à ce que les ingrédients soient moulus fin. Ajouter la farine tout-usage et la farine de blé entier, le sucre, le sel et le bicarbonate de soude. Faire tourner le robot jusqu'à l'obtention d'un mélange homogène, soit pendant 5 à 10 secondes. Ajouter le shortening et le beurre. Faire tourner le robot par impulsions 4 ou 5 fois, environ 2 secondes chaque fois, ou jusqu'à l'obtention d'un mélange grumeleux. Ajouter les fromages. Faire tourner le robot par impulsions 2 ou 3 fois, environ 2 secondes chaque fois, ou jusqu'à l'obtention d'un mélange homogène. Pendant que le robot tourne, ajouter le babeurre par la petite goulotte. Faire tourner le robot jusqu'à l'obtention d'une pâte ferme, environ 20 à 25 secondes, en raclant les parois du bol, au besoin.
120 mL (½ tasse) (environ 115 g [4 oz]) de noix, en morceaux	
235 mL (1 tasse) de farine tout-usage	Dans un petit bol, combiner l'œuf et l'eau. Réserver.
160 mL (¾ de tasse) de farine de blé entier	
10 mL (2 c. à thé) de sucre	Retirer la pâte et la placer sur une surface légèrement farinée. Former une boule et la diviser en deux portions. Couvrir une portion. Abaisser une portion de pâte de façon à obtenir un carré de 25 x 25 cm (10 x 10 po). Placer au centre d'une grande plaque à pâtisserie légèrement graissée. Abaisser uniformément pour obtenir un carré de 30,5 x 30,5 cm (12 x 12 po). Badigeonner du mélange d'œuf. Saupoudrer de 2 mL (½ c. à thé) de gros sel, de 15 mL (1 c. à soupe) de graines de sésame noires et de 15 mL (1 c. à soupe) de graines de sésame blanches. Abaisser légèrement au rouleau à pâte. À l'aide d'une roulette à pâte, d'un couteau à pizza ou d'un couteau coupant, entailler de façon à former 36 carrés ou d'autres formes au choix. Ne pas séparer. Répéter le processus avec le reste de la pâte, du mélange d'œuf, du sel et des graines de sésame.
4 mL (¾ c. à thé) de sel	
2 mL (½ c. à thé) de bicarbonate de soude	
30 mL (2 c. à soupe) de shortening	
15 mL (1 c. à soupe) de margarine ou de beurre, légèrement ramolli	
120 mL (½ tasse) de babeurre	
1 œuf, battu	
15 mL (1 c. à soupe) d'eau	
5 mL (1 c. à thé) de gros sel, divisé	
30 mL (2 c. à soupe) de graines de sésame noires*, divisées	
30 mL (2 c. à soupe) de graines de sésame blanches*, divisées	

Suite à la page suivante

Craquelins de blé au cheddar

Faire cuire à 177 °C (350 °F) pendant environ 25 minutes ou jusqu'à ce que les craquelins soient dorés. Si les craquelins à l'extérieur dorent en premier, les retirer et les déposer sur une clayette à refroidir, et continuer à faire cuire les craquelins du centre jusqu'à ce qu'ils soient dorés. Retirer les craquelins et les déposer sur une clayette à refroidir.

Donne : 6 douzaines (environ 6 craquelins par portion).

* Autres garnitures au choix : Poudre d'ail, poudre d'oignon, amandes tranchées, graines de pavot ou graines de tournesol.

Par portion : Environ 200 calories, 7 g de protéines, 20 g de glucides, 11 g de matières grasses totales, 3 g de gras saturés, 30 mg de cholestérol, 470 mg de sodium.

Feuilletés aux oignons caramélisés

- 170 g (6 oz) de gouda ou de gouda fumé, sans la cire
- 1 gros oignon jaune, coupé en quartiers en longueur
- 15 mL (1 c. à soupe) d'huile végétale
- 15 mL (1 c. à soupe) de cassonade
- 15 mL (1 c. à soupe) de vinaigre balsamique
- 1 mL (¼ c. à thé) de poivre noir concassé
- 0,5 mL (½ c. à thé) de sel
- 1 paquet de 517,5 g (17¼ oz) de pâte feuilletée congelée, dégelée
- 30 mL (2 c. à soupe) de feuilles de persil frais hachées, au goût
- Placer le disque déchiqueteur de 4 mm dans le bol à préparation. Ajouter le gouda. Faire tourner le robot pour râper le fromage. Retirer et réserver.
- Remplacer le disque déchiqueteur par le disque éminceur de 2 mm dans le bol à préparation. Ajouter l'oignon. Faire tourner le robot pour trancher.
- Dans une grande poêle ou un faitout, faire chauffer l'huile à feu moyen-vif jusqu'à ce qu'elle grésille. Ajouter les oignons, faire cuire pendant 5 à 10 minutes ou jusqu'à ce que les oignons soient mous, en remuant de temps en temps. Incorporer la cassonade et le vinaigre en remuant. Couvrir. Faire cuire à feu moyen-doux pendant environ 35 minutes, ou jusqu'à ce que les oignons soient tendres et légèrement dorés, en remuant de temps en temps. Retirer le couvercle; continuer la cuisson jusqu'à évaporation du liquide. Incorporer le poivre et le sel, en remuant. Réserver.
- Sur une surface légèrement farinée, abaisser la pâte feuilletée pour former un carré de 30,5 cm (12 po) de côté. Percer avec une fourchette. À l'aide d'un couteau à pizza ou d'un couteau coupant, entailler de façon à former 36 carrés. Placer sur une plaque à pâtisserie non graissée.
- Faire cuire à 204 °C (400 °F) pendant 10 à 12 minutes, ou jusqu'à ce que la pâte gonfle et que les coins commencent à dorer. Retirer du four. Faire un creux dans chaque carré avec le dos d'une cuillère. À l'aide d'une cuillère, remplir chaque carré de mélange à oignon et saupoudrer de fromage. Faire cuire à 204 °C (400 °F) pendant 3 à 5 minutes, ou jusqu'à ce que la pâte soit dorée et que le fromage soit fondu. Garnir de persil, au goût.
- Donne : 12 portions de 3 feuilletés.
- Par portion : Environ 190 calories, 5 g de protéines, 13 g de glucides, 13 g de matières grasses totales, 4 g de gras saturés, 15 mg de cholestérol, 190 mg de sodium.

Trempepette chaude aux artichauts

- 115 g (4 oz) de fromage d'asiago ou parmesan, à la température ambiante
- 2 oignons verts, coupés en morceaux de 2,5 cm (1 po)
- ½ piment Jalapeño rouge ou vert, épépiné et coupé en quatre
- 1 petite gousse d'ail
- 1 boîte de 395 g (14 oz) de cœurs d'artichaut, bien égouttés, et coupés en deux
- 175 mL (¾ de tasse) de mayonnaise
- 1 paquet de 85 g (3 oz) de fromage à la crème, coupé en morceaux de 2,5 cm (1 po)
- Placer le disque déchiqueteur de 4 mm dans le bol à préparation. Ajouter l'asiago. Faire tourner le robot pour râper le fromage. Retirer et réserver.
- Remplacer le disque déchiqueteur par la lame polyvalente dans le bol à préparation. Pendant que le robot tourne, ajouter les oignons, le piment Jalapeño et l'ail par la petite goulotte. Faire tourner jusqu'à ce que les ingrédients soient hachés fin, environ 5 secondes. Ajouter les cœurs d'artichaut. Hacher par impulsions 1 ou 2 fois, environ 2 secondes chaque fois, ou jusqu'à ce que les ingrédients soient grossièrement hachés. Ajouter la mayonnaise, le fromage à la crème et l'asiago. Faire tourner le robot jusqu'à l'obtention d'un mélange homogène, environ 5 secondes.
- Retirer et placer dans une assiette à tarte ou un moule à quiche graissé de 23 cm (9 po). Faire cuire à 191 °C (375 °F) pendant 15 à 20 minutes, ou jusqu'à ce que la trempepette soit chaude. Servir avec des craquelins, du pain français, de petits muffins au maïs ou des légumes croquants.
- Donne : 24 portions de 30 mL (2 c. à soupe).
- Par portion : Environ 90 calories, 2 g de protéines, 1 g de glucides, 8 g de matières grasses totales, 2,5 g de gras saturés, 10 mg de cholestérol, 130 mg de sodium.

Trempette au fromage et au brandy

- 225 g (8 onces) de fromage cheddar fumé, réfrigéré
- 225 g (8 onces) de fromage gruyère, à température ambiante
- 1 petite échalote
- 1 paquet de 225 g (8 oz) de fromage à la crème, coupé en morceaux de 2,5 cm (1 po)
- 115 g (4 onces) de fromage bleu, émietté
- 120 mL (½ tasse) de margarine ou de beurre, ramolli
- 45 mL (3 c. à soupe) de brandy
- Placer le disque déchiqueteur de 4 mm dans le bol à préparation. Ajouter le fromage cheddar. Faire tourner le robot pour râper le fromage. Ajouter le gruyère. Faire tourner le robot pour râper le fromage. Retirer et réserver.
- Remplacer le disque déchiqueteur par la lame polyvalente dans le bol à préparation. Pendant que le robot tourne, ajouter l'échalote par la petite goulotte. Faire tourner jusqu'à ce que l'échalote soit hachée fin, environ 5 secondes. Ajouter le fromage râpé et les autres ingrédients. Faire tourner le robot jusqu'à l'obtention d'un mélange homogène et onctueux, environ 15 à 20 secondes.
- Réfrigérer plusieurs heures pour permettre aux saveurs de se mélanger. Attendre que la trempette atteigne la température ambiante avant de servir avec des crostini ou des craquelins, au goût.
- Donne : 36 portions de 30 mL (2 c. à soupe).
- Conseil : Peut être préparée un ou deux jours à l'avance et réfrigérée.
- Par portion : Environ 110 calories, 5 g de protéines, 1 g de glucides, 10 g de matières grasses totales, 6 g de gras saturés, 30 mg de cholestérol, 125 mg de sodium.

Salsa verte aux piments rôtis

- 2 piments jaunes doux, coupés en deux et épépinés
1 piment Serrano, coupé en deux et épépiné
2 gousses d'ail, pelées
455 g (1 lb) de tomates fraîches, pelées
½ poivron rouge, épépiné et coupé en morceaux de 3,75 cm (1½ po)
1 petit oignon, coupé en quatre
15 mL (1 c. à soupe) d'huile d'olive ou d'huile végétale olive or vegetable oil
15 mL (1 c. à soupe) de jus de lime frais
5 mL (1 c. à thé) de sucre
2 mL (½ c. à thé) de sel
- Placer les piments jaunes et le piment Serrano, l'ail, les tomates, le poivron et l'oignon dans un moule de 38 x 25 x 5 cm (15 x 10 x 2 po). Napper d'un filet d'huile; remuer pour bien enrober. Sur la grille supérieure, faire cuire à 232 °C (450 °F) pendant 20 à 25 minutes, ou jusqu'à ce que la peau des tomates cloque et que l'ail soit tendre, en remuant une ou deux fois. Laisser refroidir légèrement.
- Placer la lame polyvalente dans le bol à préparation. Ajouter le mélange de légumes et son jus, le jus de lime, le sucre et le sel. Hacher par impulsions 2 ou 3 fois, environ 1 seconde chaque fois, ou jusqu'à ce que les ingrédients soient hachés. Servir froid ou à température ambiante avec des brochettes de poulet grillé ou de crevettes grillées, ou encore des croustilles tortillas.
- Donne : 24 portions de 30 mL (2 c. à soupe).
- Conseil : Peut être préparée 1 ou 2 jours à l'avance, au goût.
- Par portion : Environ 15 calories, 0 g de protéines, 2 g de glucides, 1 g de matières grasses totales, 0 g de gras saturés, 0 mg de cholestérol, 50 mg de sodium.

Concombres et oignons à l'aneth et à la crème sure

2 concombres moyens	Placer le disque éminceur de 2 mm dans le bol à préparation. Ajouter les concombres, une petite quantité à la fois. Faire tourner le robot pour trancher. Retirer et mettre dans un bol à mélanger moyen. Saupoudrer de sel; remuer pour enduire les concombres de sel. Laisser reposer ½ heure. Égoutter et étendre sur des essuie-tout. Réserver.
5 mL (1 c. à thé) de sel	
½ petit oignon	Placer le disque éminceur de 2 mm dans le bol à préparation. Ajouter l'oignon. Faire tourner le robot pour trancher. Retirer et mettre dans un bol à mélanger moyen.
175 mL (¾ de tasse) de crème sure	
60 mL (¼ de tasse) de mayonnaise	Remplacer le disque éminceur par la lame polyvalente dans le bol à préparation. Ajouter les autres ingrédients. Faire tourner le robot par impulsions jusqu'à l'obtention d'un mélange homogène, environ 5 à 10 secondes.
60 mL (¼ de tasse) d'aneth frais légèrement tassé	
15 mL (1 c. à soupe) de vinaigre de vin blanc	Ajouter le mélange de crème sure et les concombres aux oignons. Remuer pour enrober. Couvrir et réfrigérer au moins une heure. Servir dans les 24 heures.
10 mL (2 c. à thé) de sucre	
1 à 2 mL (¼ à ½ c. à thé) de poivre noir	Donne : 6 portions de 120 mL (½ tasse).
	Par portion : Environ 150 calories, 1 g de protéines, 6 g de glucides, 13 g de matières grasses totales, 4,5 g de gras saturés, 20 mg de cholestérol, 450 mg de sodium.

Vinaigrette balsamique

- 15 mL (1 c. à soupe) de feuilles de basilic frais
- 15 mL (1 c. à soupe) de feuilles d'origan frais
- 1 gousse d'ail
- 45 mL (3 c. à soupe) de vinaigre balsamique blanc*
- 45 mL (3 c. à soupe) de vinaigre de vin blanc*
- 2 mL (½ c. à thé) de sel
- 1 mL (¼ c. à thé) de moutarde sèche
- 0,5 mL (½ c. à thé) de piment de Cayenne moulu
- 175 mL (¾ de tasse) d'huile d'olive extra-vierge

Placer le mini-bol et la mini-lame dans le bol à préparation. Pendant que le robot tourne, ajouter le basilic, l'origan et l'ail par la petite goulotte. Faire tourner le robot jusqu'à ce que tous les ingrédients soient hachés, 5 à 8 secondes. Racler les parois du bol. Pendant que le robot tourne, ajouter le vinaigre balsamique, le vinaigre de vin, le sel, la moutarde et le piment de Cayenne. Faire tourner le robot jusqu'à l'obtention d'un mélange homogène, environ 5 secondes. Pendant que le robot tourne, verser lentement l'huile par la goulotte. Faire tourner le robot jusqu'à l'obtention d'une consistance lisse et épaisse. Servir sur une salade verte.

Donne : 8 portions de 30 mL (2 c. à soupe).

*On peut les remplacer par 45 mL (3 c. à soupe) de vinaigre balsamique rouge et 45 mL de vinaigre de vin rouge.

Par portion : Environ 190 calories, 0 g de protéines, 1 g de glucides, 21 g de matières grasses totales, 3 g de gras saturés, 0 mg de cholestérol, 150 mg de sodium.

Salade de poulet méditerranéenne chaude

- 710 mL (3 tasses / 455 g [1 lb environ]) de morceaux de poulet cuit
- 60 mL (¼ de tasse) d'olives kalamata entières, dénoyautées
- 3 oignons verts, coupés en morceaux de 2,5 cm (1 po)
- ½ bulbe de fenouil, coupé en deux en longueur
- 120 mL (½ tasse) de mayonnaise*
- 60 mL (¼ de tasse) de crème sure*
- 10 mL (2 c. à thé) de farine tout-usage
- 15 mL (1 c. à soupe) de feuilles d'origan frais
- 15 mL (1 c. à soupe) de jus de citron
- 1 mL (¼ c. à thé) de sel
- 0,5 mL (½ c. à thé) de poivre noir black pepper
- 120 mL (½ tasse / 55 g [2 oz]) de fromage feta émietté
- 60 mL (¼ de tasse) de pignons
- Placer la lame polyvalente dans le bol à préparation. Ajouter le poulet, les olives et les oignons. Hacher par impulsions 4 à 6 fois, 1 ou 2 secondes chaque fois, ou jusqu'à ce que les ingrédients soient hachés grossièrement. Retirer et placer dans un grand bol à mélanger.
- Remplacer la lame polyvalente par le disque éminceur de 2 mm. Ajouter le fenouil. Faire tourner le robot pour trancher. Placer dans le bol à mélanger.
- Remplacer le disque éminceur par le mini-bol et la mini-lame dans le bol à préparation. Ajouter le reste des ingrédients à l'exception du fromage et des noix. Faire tourner le robot jusqu'à l'obtention d'un mélange homogène, de 10 à 12 secondes. Placer dans le bol à mélanger. Ajouter le fromage dans le bol et mélanger.
- Étaler dans un moule graissé de 20 x 20 x 5 cm (8 x 8 x 2 po). Saupoudrer de pignons. Faire cuire à 191 °C (375 °F) pendant 20 à 25 minutes, ou jusqu'à ce que la salade soit bien chaude. Servir sur du pain pita, du pain plat ou dans des feuilles de laitue.
- Donne : 5 portions de 175 mL (¾ de tasse) environ.
- *On peut remplacer par de la mayonnaise légère et de la crème sure légère.
- Par portion : Environ 420 calories, 26 g de protéines, 6 g de glucides, 33 g de matières grasses totales, 7 g de gras saturés, 65 mg de cholestérol, 550 mg de sodium.

Vinaigrette crémeuse aux agrumes

- 175 mL (¾ de tasse) de mayonnaise
- 80 mL (⅓ de tasse) de crème de guimauve
- 1 paquet de 85 g (3 oz) de fromage à la crème, coupé en morceaux de 2,5 cm (1 po)
- 15 mL (1 c. à soupe) de jus de lime frais
- 1 orange moyenne sans noyaux, pelée et coupée en quatre
- 1 à 2 mL (¼ à ½ c. à thé) de zeste de lime râpé, au goût
- Placer la lame polyvalente dans le bol à préparation. Ajouter la mayonnaise, la crème de guimauve et le fromage à la crème. Faire tourner le robot jusqu'à l'obtention d'une substance crémeuse, environ 1 minute. Racler les parois du bol. Ajouter le jus de lime, l'orange et le zeste de lime, au goût. Faire tourner jusqu'à ce que l'orange soit finement hachée, de 20 à 25 secondes. Servir sur une salade de fruits.
- Donne : 12 portions de 30 mL (2 c. à soupe).
- Par portion : Environ 140 calories, 1 g de protéines, 4 g de glucides, 13 g de matières grasses totales, 3 g de gras saturés, 10 mg de cholestérol, 100 mg de sodium.

Salade de riz sauvage au poulet

- 2 oignons verts, coupés en morceaux de 2,5 cm (1 po)
- 455 g (1 lb) de demi-poitriines de poulet désossées, sans peau, grillées et refroidies
- ½ gros poivron rouge, épépiné et coupé en quatre en longueur
- 1 branche de céleri moyenne
- 475 mL (2 tasses) de riz sauvage cuit, refroidi

Vinaigrette

- 120 mL (½ tasse) d'huile végétale
- 60 mL (¼ de tasse) de vinaigre de vin blanc ou de vinaigre de riz
- 30 mL (2 c. à soupe) de moutarde de Dijon
- 2 mL (½ c. à thé) de sel
- 2 mL (½ c. à thé) de poivre noir concassé
- 2 mL (½ c. à thé) de sauce au piment fort

Placer la lame polyvalente dans le bol à préparation. Ajouter les oignons. Hacher par impulsions 1 ou 2 fois, environ 2 secondes chaque fois ou jusqu'à ce que les oignons soient hachés.

Remplacer la lame polyvalente par le disque éminceur de 2 mm dans le bol de préparation. Ajouter le poulet, le poivron et le céleri, une petite quantité à la fois. Faire tourner le robot pour trancher. Retirer et placer dans un grand bol à mélanger. Ajouter le riz; remuer pour mélanger.

Remplacer le disque éminceur par la lame polyvalente dans le bol à préparation. Ajouter les ingrédients de la vinaigrette. Faire tourner le robot jusqu'à l'obtention d'une consistance lisse, de 3 à 5 secondes. Verser la vinaigrette sur la salade. Remuer pour enrober. Réfrigérer au moins 1 heure avant de servir.

Donne : 5 portions.

Conseil : La salade peut être entièrement préparée la veille et réfrigérée.

Par portion : Environ 370 calories, 22 g de protéines, 16 g de glucides, 25 g de matières grasses totales, 4,5 g de gras saturés, 50 mg de cholestérol, 450 mg de sodium.

Salade de chou asiatique

1 paquet de 85 g (3 oz)
de nouilles ramen
(aux crevettes, au
poulet ou aux
légumes)

½ gros chou nappa
[environ 455 g /
1 lb], sans trognon

½ oignon rouge moyen

80 mL (½ de tasse) de
graines de tournesol
salées

Vinaigrette

60 mL (¼ de tasse)
d'huile végétale

30 mL (2 c. à soupe) de
vinaigre ou de vin
de riz

30 mL (2 c. à soupe)
de sucre

Retirer les enveloppes d'assaisonnement des nouilles et réserver. Émietter les nouilles et placer sur une plaque à pâtisserie. Faire cuire à 191 °C (375 °F) 5 minutes ou jusqu'à ce que les nouilles soient grillées. Laisser refroidir.

Placer le disque éminceur de 2 mm dans le bol à préparation. Ajouter le chou et l'oignon, une petite quantité à la fois, en les coupant pour qu'ils entrent dans la goulotte au besoin. Faire tourner le robot pour trancher. Retirer et placer Retirer les enveloppes d'assaisonnement des nouilles et réserver. Émietter les nouilles et placer sur une plaque à pâtisserie. Faire cuire à 191 °C (375 °F) 5 minutes ou jusqu'à ce que les nouilles soient grillées. Laisser refroidir. dans un très grand bol à mélanger. Ajouter les graines de tournesol et les nouilles; remuer pour mélanger.

Remplacer le disque éminceur par la lame polyvalente dans le bol à préparation. Ajouter l'huile, le vinaigre, le sucre et le contenu des enveloppes d'assaisonnement des nouilles. Faire tourner le robot jusqu'à l'obtention d'un mélange homogène et la dissolution du sucre, de 10 à 15 secondes. Verser la vinaigrette sur la salade. Remuer pour enrober.

Réfrigérer pendant au moins 1 heure avant de servir afin que les arômes se mélangent.

Donne : 12 portions de 120 mL (½ tasse).

Par portion : Environ 110 calories, 2 g de protéines, 9 g de glucides, 8 g de matières grasses totales, 1,5 g de gras saturés, 0 mg de cholestérol, 115 mg de sodium.

Salade de brocoli et de chou-rave

- 1 tige (environ 340 g / $\frac{3}{4}$ de lb) de brocoli
- 2 pommes de chou-rave, pelées et coupées en huit morceaux, en longueur
- 1 grosse carotte, pelée

Vinaigrette

- 80 mL ($\frac{1}{2}$ de tasse) d'huile végétale
- 45 mL (3 c. à soupe) de vinaigre de vin rouge
- 15 mL (1 c. à soupe) de jus de citron frais
- 2 oignons verts, coupés en morceaux de 2,5 cm (1 po)
- 5 mL (1 c. à thé) de moutarde préparée
- 5 mL (1 c. à thé) de sucre
- 2 mL ($\frac{1}{2}$ c. à thé) de poivre noir concassé
- 1 mL ($\frac{1}{4}$ c. à thé) de sel

Placer le disque éminceur de 2 mm dans le bol à préparation. Ajouter le brocoli (tige et fleurons), en le coupant pour qu'il entre dans la goulotte au besoin. Faire tourner le robot pour trancher. Ajouter le chou-rave. Faire tourner le robot pour trancher.

Remplacer le disque éminceur par le disque déchiqueteur de 4 mm dans le bol à préparation. Ajouter la carotte. Faire tourner le robot pour déchiqueter. Retirer le mélange de légumes et mettre dans un grand bol à mélanger.

Remplacer le disque déchiqueteur par la lame polyvalente dans le bol à préparation. Ajouter les ingrédients de la vinaigrette. Faire tourner le robot jusqu'à l'obtention d'une consistance lisse, de 10 à 15 secondes. Verser la vinaigrette sur les légumes. Remuer pour enrober.

Réfrigérer pendant au moins 1 heure afin que les arômes se mélangent.

Donne : 10 portions de 120 mL ($\frac{1}{2}$ tasse).

Par portion : Environ 90 calories, 2 g de protéines, 5 g de glucides, 8 g de matières grasses totales, 1,5 g de gras saturés, 0 mg de cholestérol, 85 mg de sodium.

Soupe au brocoli et au cheddar

225 g (8 oz) de cheddar piquant, refroidi	Placer le disque déchiqueteur de 4 mm dans le bol à préparation. Ajouter le fromage. Faire tourner le robot pour déchiqueter. Retirer et réserver.
1 petit oignon, coupé en deux en longueur	
1 branche de céleri, coupée en morceaux de 6,25 cm (2½ po)	Remplacer le disque déchiqueteur par le disque éminceur de 2 mm dans le bol à préparation. Ajouter l'oignon et le céleri. Faire tourner le robot pour trancher. Faire fondre le beurre dans une grande casserole ou un faitout à feu moyen. Mettre l'oignon et le céleri dans la casserole. Faire cuire 2 ou 3 minutes, ou jusqu'à ce que les légumes soient légèrement croquants, en remuant de temps en temps.
30 mL (2 c. à soupe) de margarine ou de beurre	
1 grosse tige (environ 455 g [1 lb]) de brocoli	Couper les tiges de brocoli et enlever la peau dure. Couper les fleurons en petits morceaux. Placer le disque éminceur de 2 mm dans le bol à préparation. Ajouter les tiges de brocoli. Faire tourner le robot pour trancher. Retirer et mettre dans la casserole.
710 mL (3 tasses) de bouillon de poulet	
475 mL (2 tasses) de lait, divisé	Mettre les fleurons de brocoli et le bouillon dans la casserole. Porter à ébullition à feu moyen-vif. Baisser le feu; couvrir partiellement et laisser mijoter de 6 à 10 minutes ou jusqu'à ce que le brocoli soit légèrement croquant, en remuant de temps en temps. Retirer du feu.
60 mL (¼ de tasse) de farine tout-usage	
10 mL (2 c. à thé) de moutarde de Dijon	Remplacer le disque éminceur par la lame polyvalente dans le bol à préparation. À l'aide d'une cuillère à égoutter, retirer les légumes de la casserole et les mettre dans le bol à préparation. Ajouter 175 mL (¾ de tasse) de lait. Faire tourner le robot jusqu'à ce que les légumes soient hachés, soit pendant 5 à 8 secondes. Réserver.
5 mL (1 c. à thé) de poudre de cari, au goût	
0,5 mL (⅛ c. à thé) de sauce au piment fort	

Suite à la page suivante

Soupe au brocoli et au cheddar

Dans un bol à mélanger moyen, incorporer la farine aux 295 mL (1 $\frac{1}{4}$ tasse) de lait restants en fouettant jusqu'à l'obtention d'une consistance lisse. Ajouter la moutarde, la poudre de cari, si désiré, et la sauce au piment fort. Remuer jusqu'à ce que tous les ingrédients soient combinés.

Ajouter le mélange de lait au bouillon de la casserole. Faire cuire à feu moyen-vif en remuant souvent jusqu'à ce que le mélange fasse des bulles et épaississe légèrement. Baisser le feu à doux. Ajouter le fromage râpé (sauf 60 mL [$\frac{1}{4}$ de tasse]); remuer jusqu'à ce qu'il fonde.

Ajouter le mélange de brocoli dans la casserole. Bien réchauffer. Garnir du fromage qui reste (60 mL [$\frac{1}{4}$ de tasse]).

Donne : 7 portions de 235 mL (1 tasse).

Par portion : Environ 250 calories, 13 g de protéines, 14 g de glucides, 16 g de matières grasses totales, 9 g de gras saturés, 50 mg de cholestérol, 740 mg de sodium.

Soupe à la courge musquée rôtie et au pistou

Soupe

- 1 *grosse courge musquée (environ 1 135 g / 2½ lb) pelée, épépinée et coupée en quatre, en longueur*
- 1 *gros oignon, coupé en deux en longueur*
- 2 *grosses gousses d'ail, coupées en quatre*
- 30 *mL (2 c. à soupe) d'huile d'olive*
- 1,2 *litre (5 tasses) de bouillon de poulet, divisé*
- 1 *boîte de 425 g (15 oz) de purée de citrouille, divisée*
- 4 *mL (¼ c. à thé) de sel*
- 1 *mL (¼ c. à thé) de piment de Cayenne*
- 235 *mL (1 tasse) de crème à fouetter*

Placer le disque éminceur de 2 mm dans le bol à préparation. Ajouter la courge, une petite quantité à la fois. Faire tourner le robot pour trancher. Retirer et mettre dans un grand bol à mélanger. Ajouter l'oignon. Faire tourner le robot pour trancher. Ajouter l'oignon et l'ail à la courge. Napper d'un filet d'huile; remuer pour bien enrober. Placer dans un moule de 38 x 25 x 5 cm (15 x 10 x 1 po). Faire cuire à 232 °C (450 °F) pendant 30 à 35 minutes, ou jusqu'à ce que les légumes soient tendres, en remuant une ou deux fois. (Le moule sera bien plein au début, mais le volume diminuera à mesure que les légumes cuiront.) Laisser refroidir légèrement.

Remplacer le disque éminceur par la lame polyvalente dans le bol à préparation. Ajouter la moitié du mélange de légumes rôtis et son jus, 175 mL (¾ de tasse) de bouillon, la moitié de la citrouille, le sel et le piment de Cayenne. Faire tourner le robot jusqu'à l'obtention d'un mélange homogène, environ 30 secondes. Retirer et mettre dans un faitout. Répéter avec l'autre moitié du mélange de légumes rôtis, 175 mL (¾ de tasse) de bouillon et l'autre moitié de la citrouille. Retirer et mettre dans le faitout. Incorporer les 830 mL (3½ tasses) de bouillon restants en remuant.

Faire cuire à feu moyen jusqu'à ce que la soupe soit bien chaude. Incorporer la crème en remuant; faire chauffer. Garnir chaque portion d'environ 10 mL (2 c. à thé) de pistou.

Sauce

- 475 *mL (2 tasses) de feuilles de persil frais légèrement tassées*
- 60 *mL (¼ de tasse) de feuilles de sauge fraîche légèrement tassées*
- 30 *mL (2 c. à soupe) de feuilles de thym frais*
- 1 *gousse d'ail*
- 5 *mL (1 c. à thé) de jus de citron*
- 1 *mL (¼ c. à thé) de sel*
- 80 *mL (⅓ de tasse) d'huile d'olive*

Placer le mini-bol et la mini-lame dans le bol à préparation. Ajouter le persil, la sauge, le thym et l'ail. Faire tourner le robot jusqu'à ce que les ingrédients soient hachés fin, de 20 à 25 secondes. Ajouter le jus de citron et le sel. Pendant que le robot tourne, ajouter graduellement l'huile par la petite goulotte. Faire tourner le robot jusqu'à l'obtention d'un mélange homogène, de 20 à 25 secondes.

Donne : 10 portions de 235 mL (1 tasse).

Par portion : Environ 220 calories, 3 g de protéines, 19 g de glucides, 16 g de matières grasses totales, 6 g de gras saturés, 30 mg de cholestérol, 690 mg de sodium.

Hamburgers poêlés aux protéines végétales

- 225 mL (8 oz) de fromage Monterey Jack, refroidi
- 3 tomates italiennes fermes, sans trognon
- 2 grosses gousses d'ail
- ¼ petit oignon rouge, coupé en morceaux de 2,5 cm (1 po)
- ¼ poivron vert moyen, coupé en morceaux de 2,5 cm (1 po) pièces
- 1 boîte de 425 g (15 oz) de haricots pinto ou communs, bien égouttés
- 1 boîte de 245 g (8¾ oz) de maïs à grains entiers, égoutté
- 475 mL (2 tasses) de riz brun cuit (non instantané)
- 80 mL (⅓ de tasse) de chapelure de pain sec
- 5 mL (1 c. à thé) de cumin moulu
- 4 mL (¾ c. à thé) d'origan séché
- 4 mL (¾ c. à thé) de poivre noir
- 1 mL (¼ c. à thé) de piment de Cayenne
- 1 mL (¼ c. à thé) de sel
- 15 à 30 mL (1 à 2 c. à soupe) d'huile d'olive
- 15 à 30 mL (1 à 2 c. à soupe) de margarine ou de beurre
- Placer le disque éminceur de 2 mm dans le bol à préparation. Ajouter le fromage. Faire tourner le robot pour trancher. Retirer et réserver. Ajouter les tomates. Faire tourner le robot pour trancher. Retirer et réserver.
- Remplacer le disque éminceur par la lame polyvalente dans le bol à préparation. Pendant que le robot tourne, ajouter l'ail par la petite goulotte. Faire tourner le robot jusqu'à ce que l'ail soit haché fin, soit pendant 5 à 8 secondes. Ajouter l'oignon et le poivron. Hacher par impulsions 3 ou 5 fois, environ 2 secondes chaque fois, ou jusqu'à ce que les légumes soient hachés. Ajouter les haricots, le maïs, le riz, la chapelure, le cumin, l'origan, le poivre noir, le piment de Cayenne et le sel. Hacher par impulsions 3 ou 4 fois, environ 1 seconde chaque fois, ou jusqu'à ce que les ingrédients soient mélangés. Former 8 galettes (environ 80 mL [⅓ de tasse] chacune).
- Dans une grande poêle à revêtement antiadhésif, faire chauffer l'huile d'olive et le beurre à feu moyen. Ajouter les galettes, une petite quantité à la fois, au besoin. Faire cuire pendant environ 4 minutes, ou jusqu'à ce que les galettes soient dorées. Retourner doucement. Garnir chaque galette de fromage. Baisser le feu à moyen-doux. Faire cuire 5 ou 6 minutes, ou jusqu'à ce que les galettes soient dorées et que le fromage soit fondu.
- Si désiré, servir dans un petit pain à sandwich au blé entier ou dans un pain pita avec des tranches de tomate, de la laitue, de la mayonnaise et de la moutarde.
- Donne : 8 portions.
- Par portion : Environ 290 calories, 12 g de protéines, 31 g de glucides, 13 g de matières grasses totales, 6 g de gras saturés, 35 mg de cholestérol, 340 mg de sodium.

Sandwiches Muffaletta

- 1 *tomate italienne moyenne*
2 *grosses feuilles de basilic frais*
30 *mL (2 c. à soupe) de feuilles de persil frais*
2 *grosses gousses d'ail*
 $\frac{1}{8}$ *petit oignon rouge, épluché et coupé en morceaux de 2,5 cm (1 po)*
60 *mL ($\frac{1}{4}$ de tasse) d'olives vertes farcies au poivron*
120 *mL ($\frac{1}{2}$ tasse) d'olives mûres dénoyautées*
120 *mL ($\frac{1}{2}$ tasse) d'olives kalamata dénoyautées*
60 *mL ($\frac{1}{4}$ de tasse) de poivrons rouges rôtis préparés, égouttés*
15 *mL (1 c. à soupe) de vinaigre de vin blanc*
1 *mL ($\frac{1}{4}$ c. à thé) d'origan séché*
1 *mL ($\frac{1}{4}$ c. à thé) de poivre noir concassé*
60 *mL ($\frac{1}{4}$ de tasse) d'huile d'olive extra-vierge*
2 *pains français*, coupés en tiers et fendus en longueur*
225 *g ($\frac{1}{2}$ lb) de salami tranché mince*
225 *g ($\frac{1}{2}$ lb) de jambon fumé ou de prosciutto tranché mince*
6 *tranches de fromage provolone*

Placer le disque éminceur de 2 mm dans le bol à préparation. Ajouter la tomate. Faire tourner le robot pour trancher. Retirer et réserver.

Remplacer le disque éminceur par le mini-bol et la mini-lame dans le bol à préparation. Pendant que le robot tourne, ajouter le basilic et le persil par la petite goulotte. Faire tourner le robot pour hacher, pendant environ 5 secondes. Pendant que le robot tourne, ajouter l'ail. Faire tourner le robot jusqu'à ce que l'ail soit haché, de 5 à 10 secondes. Ajouter l'oignon. Faire tourner le robot jusqu'à ce que l'oignon soit haché, pendant environ 3 secondes. Racler les parois du bol au besoin. Ajouter les olives vertes, mûres et kalamata, les poivrons rouges rôtis, le vinaigre, l'origan, le poivre noir et l'huile d'olive. Faire tourner le robot jusqu'à l'obtention d'un mélange homogène, de 15 à 20 secondes.

Étaler environ 30 mL (2 c. à soupe) du mélange d'olives sur chaque côté du pain. Garnir de tomates, de salami, de jambon et de fromage. Si désiré, réchauffer chaque sandwich en l'enveloppant légèrement de papier d'aluminium et en le faisant cuire au four à 191 °C (375 °F) pendant 15 à 20 minutes, ou jusqu'à ce qu'il soit chaud et que le fromage soit fondu.

Donne : 6 portions.

*Le pain peut être remplacé par 6 pains à sous-marin.

Conseil : Le mélange d'olives peut être préparé 1 ou 2 jours à l'avance et réfrigéré. On peut aussi le servir comme trempette avec des craquelins ou du pain pita grillé, coupé en triangles.

Par portion : Environ 720 calories, 33 g de protéines, 51 g de glucides, 41 g de matières grasses totales, 14 g de gras saturés, 70 mg de cholestérol, 2 410 mg de sodium.

Soupe à l'oignon française

- 225 g (8 oz) de fromage gruyère ou suisse, à température ambiante
- 2 gros oignons jaunes, coupés en deux en longueur
- 45 mL (3 c. à soupe) de margarine ou de beurre
- 15 mL (1 c. à soupe) de farine tout-usage
- 2 mL (½ c. à thé) de poivre noir
- 710 mL (3 tasses) de bouillon de bœuf
- 355 mL (1½ tasse) de bouillon de poulet
- 80 mL (⅓ de tasse) de xérès sec
- 5 mL (1 c. à thé) de sauce Worcestershire
- 6 tranches de pain français (tranches de 1,25 cm [½ po] d'épaisseur, coupées en diagonale), légèrement grillées
- 85 g (3 oz) de parmesan fraîchement râpé
- Placer le disque déchiqueteur de 4 mm dans le bol à préparation. Ajouter le gruyère. Faire tourner le robot pour râper. Retirer et réserver.
- Remplacer le disque déchiqueteur par le disque éminceur de 2 mm dans le bol à préparation. Ajouter les oignons, une petite quantité à la fois. Faire tourner le robot pour trancher.
- Dans un faitout, faire fondre le beurre à feu moyen-vif. Ajouter les oignons. Faire cuire en remuant pendant 5 à 10 minutes, ou jusqu'à ce que les oignons soient tendres. Ajouter la farine et le poivre; bien mélanger. Ajouter les bouillons de bœuf et de poulet, le xérès et la sauce Worcestershire. Porter à ébullition. Baisser le feu; laisser mijoter de 10 à 15 minutes, ou jusqu'à ce que les arômes soient mélangés.
- Verser 235 mL (1 tasse) de soupe dans 6 bols individuels allant au four. Garnir de pain et de gruyère. Saupoudrer de parmesan. Placer sous le gril, 10 à 15 cm (4 à 6 po) de l'élément chauffant, pendant 2 ou 3 minutes, ou jusqu'à ce que le fromage soit fondu et fasse des bulles.
- Donne : 6 portions de 235 mL (1 tasse).
- Par portion : Environ 400 calories, 21 g de protéines, 25 g de glucides, 23 g de matières grasses totales, 13 g de gras saturés, 65 mg de cholestérol, 1 170 mg de sodium.

Trempepette au jambon et à la moutarde de chipotle

<i>1/8 petit oignon</i>	Placer la lame polyvalente dans le bol à préparation. Pendant que le robot tourne, ajouter l'oignon et le chipotle par la petite goulotte. Faire tourner le robot pour hacher jusqu'à ce que les ingrédients soient hachés, environ 5 secondes. Racler les parois du bol. Ajouter la sauce adobo, la mayonnaise, la vinaigrette et le céleri. Faire tourner le robot jusqu'à l'obtention d'un mélange homogène, 10 secondes, en raclant les parois du bol au besoin. Ajouter le jambon. Hacher par impulsions 6 ou 7 fois, environ 1 seconde chaque fois, en raclant les parois du bol au besoin. Étendre sur des craquelins ou sur du pain, au goût.
<i>1 piment chipotle dans une sauce adobo (d'une boîte de 200 ou 310 g [7 ou 11 oz])</i>	
<i>2 à 5 mL (1/2 à 1 c. à thé) de sauce adobo</i>	
<i>80 mL (1/2 de tasse) de mayonnaise</i>	
<i>30 mL (2 c. à soupe) de vinaigrette au miel et à la moutarde préparée</i>	
<i>1/2 branche de céleri, coupée en morceaux de 2,5 cm (1 po)</i>	Donne : 4 portions de 120 mL (1/2 tasse).
<i>475 mL (2 tasses) de jambon cuit coupé en dés</i>	Par portion : Environ 350 calories, 18 g de protéines, 2 g de glucides, 29 g de matières grasses totales, 7 g de gras saturés, 70 mg de cholestérol, 270 mg de sodium.

Aubergine et poivrons rôtis en cocotte

- 1 aubergine moyenne (environ 680 g [1½ lb])
- 45 mL (3 c. à soupe) d'huile d'olive
- 115 g (4 oz) de mozzarella, refroidi
- 55 g (2 oz) de parmesan, coupé en morceaux de 2 cm (¾ de pouce), à la température ambiante
- 235 mL (1 tasse) de ricotta
- 1 œuf
- 1 mL (¼ c. à thé) de sel
- 1 mL (¼ c. à thé) de poivre noir
- 475 mL (2 tasses) de sauce pour pâtes aux tomates et au basilic préparée, divisée
- 1 pot de 200 g (7 oz) de poivrons rouges rôtis, bien égouttés

Placer le disque éminceur de 2 mm dans le bol à préparation. Couper l'aubergine en morceaux de 6,25 cm (2½ po) de long pour qu'ils entrent dans la goulotte. Faire tourner le robot pour trancher. Retirer et disposer uniformément dans un moule graissé de 38 x 25 x 2,5 cm (15 x 10 x 1 po). Napper d'un filet d'huile d'olive. Faire cuire à 232 °C (450 °F) pendant 5 à 8 minutes ou jusqu'à ce que l'aubergine soit légèrement tendre.

Entre-temps, remplacer le disque éminceur par le disque déchiqueteur de 4 mm. Ajouter la mozzarella. Faire tourner le robot pour déchiqueter. Retirer et réserver.

Remplacer le disque déchiqueteur par la lame polyvalente dans le bol à préparation. Faire tourner le robot, ajouter le parmesan par la goulotte. Faire tourner le robot 25 à 30 secondes pour râper. Ajouter la ricotta, l'œuf, le sel et le poivre noir. Faire tourner le robot jusqu'à l'obtention d'un mélange homogène, 10 à 15 secondes.

Verser 235 mL (1 tasse) de sauce pour pâtes dans un moule graissé de 30,5 x 20,3 x 5 cm (12 x 8 x 2 po). Étaler la moitié de l'aubergine sur la sauce. Garnir de la moitié des poivrons rouges et de la moitié du mélange de ricotta. Continuer à alterner les couches d'aubergine, de poivrons rouges et de mélange de ricotta. Garnir des 235 mL (1 tasse) de sauce pour pâtes restants et de mozzarella. Faire cuire à 177 °C (350 °F) de 30 à 40 minutes ou jusqu'à ce que l'aubergine soit tendre et que le plat bouillonne. Laisser reposer 5 à 10 minutes avant de servir.

Donne : 8 portions.

Par portion : Environ 250 calories, 12 g de protéines, 19 g de glucides, 14 g de matières grasses totales, 6 g de gras saturés, 50 mg de cholestérol, 610 mg de sodium.

Riz basmati printanier

1 gousse d'ail	Placer la lame polyvalente dans le bol à préparation. Pendant que le robot tourne, ajouter l'ail par la petite goulotte. Faire tourner le robot 5 secondes.
1 échalote moyenne, coupée en quartiers	
15 mL (1 c. à soupe) d'huile d'olive	Ajouter l'échalote. Hacher par impulsions 2 ou 3 fois, environ 2 secondes chaque fois ou jusqu'à ce que l'échalote soit hachée. Dans une grande
115 g (¼ de lb) (235 mL [environ 1 tasse]) de haricots verts frais, extrémités coupées	casserole, faire chauffer l'huile à feu moyen. Ajouter le mélange d'échalote. Faire cuire jusqu'à ce que ce soit tendre, 1 ou 2 minutes, en remuant souvent. Retirer du feu; réserver.
1 petite carotte, pelée et coupée en deux	Remplacer la lame polyvalente par le disque éminceur de 2 mm. Ajouter les haricots verts et la carotte. Faire tourner le robot pour trancher. Retirer et ajouter au
355 mL (1½ tasse) de bouillon de poulet	
235 mL (1 tasse) d'eau	mélange d'échalote dans la casserole. Ajouter le
5 mL (1 c. à thé) de sel	bouillon, l'eau, le sel, le poivre noir et la coriandre, au goût. Porter à ébullition. Incorporer le riz en remuant.
1 mL (¼ c. à thé) de poivre noir	Porter de nouveau à ébullition; baisser le feu. Couvrir; laisser mijoter pendant environ 15 minutes ou
5 mL (1 c. à thé) de coriandre moulue, au goût	jusqu'à absorption du liquide.
315 mL (1½ tasse) de riz basmati ou au jasmin	Entre-temps, couper la pointe des asperges; réserver les tiges et les pointes. Remplacer le disque
225 g (½ lb) d'asperges fraîches	éminceur par la lame polyvalente dans le bol à
10 mL (2 c. à thé) de feuilles de thym frais	préparation. Pendant que le robot tourne, ajouter le
30 mL (2 c. à soupe) de feuilles de persil frais légèrement tassées	thym et le persil par la petite goulotte. Faire tourner le robot pour hacher, environ 3 secondes. Ajouter le
¼ petit poivron rouge, coupé en quartiers	poivron. Hacher par impulsions 2 ou 3 fois, 1 ou 2 secondes chaque fois ou jusqu'à ce que le poivron soit haché grossièrement. Remplacer la lame
	polyvalente par le disque éminceur de 2 mm dans le bol à préparation. Ajouter les tiges d'asperge. Faire tourner le robot pour trancher. Retirer et ajouter au
	mélange de riz dans la casserole. Ajouter les pointes d'asperge; remuer bien.
	Couvrir; laisser reposer 10 minutes. Faire gonfler à la fourchette.
	Donne : 6 portions de 235 mL (1 tasse).
	Par portion : Environ 200 calories, 4 g de protéines, 45 g de glucides, 2,5 g de matières grasses totales, 0 g de gras saturés, 0 mg de cholestérol, 630 mg de sodium.

Carottes au miel et à l'orange

455 g (1 lb) de
carottes, pelées
 $\frac{1}{2}$ petit oignon
120 mL ($\frac{1}{2}$ tasse) de jus
d'orange
30 mL (2 c. à soupe)
de miel
1 mL ($\frac{1}{4}$ c. à thé) de sel
0,5 mL ($\frac{1}{8}$ c. à thé) de
poivre noir
15 mL (1 c. à soupe) de
margarine ou de
beurre

Placer le disque éminceur de 2 mm dans le bol à préparation. Ajouter les carottes et les oignons, une petite quantité à la fois. Faire tourner le robot pour trancher. Réserver.

Dans une poêle de taille moyenne, combiner le jus d'orange, le miel, le sel et le poivre. Porter à ébullition sur feu moyen-vif. Ajouter les carottes au mélange; remuer pour enrober. Porter à ébullition. Couvrir; cuire à feu moyen 5 minutes. Retirer le couvercle, laisser mijoter 10 minutes ou jusqu'à ce que le liquide s'évapore et que les carottes soient enrobées et tendres. Ajouter le beurre; remuer pour enrober.

Donne : 4 portions de 120 mL ($\frac{1}{2}$ tasse).

Par portion : Environ 110 calories, 1 g protéines, 22 g de glucides, 3 g de matières grasses totales, 2 g de gras saturés, 10 mg de cholestérol, 210 mg de sodium.

Pommes de terre au four garnies en cocotte

3 tranches de bacon	Dans une poêle de 30,5 cm (12 po), faire cuire le bacon à feu moyen jusqu'à ce qu'il soit croquant. Retirer le bacon en réservant 30 mL (2 c. à soupe) du jus de cuisson; égoutter le bacon sur des serviettes de papier, émietter et réserver.
115 g (4 oz) de cheddar extra-piquant, refroidi	
115 g (4 oz) de cheddar piquant fumé, refroidi	Placer le disque déchiqueteur de 4 mm dans le bol à préparation. Ajouter le cheddar et le parmesan, une petite quantité à la fois, en les coupant pour qu'ils entrent dans la goulotte au besoin. Faire tourner le robot pour déchiqueter. Réserver.
30 g (1 oz) de parmesan, à la température ambiante	
2,4 litres (2½ pintes) d'eau	Dans un faitout, mettre l'eau et 7 mL (1½ c. à thé) de sel; porter à ébullition à feu vif. Entre-temps, placer le disque déchiqueteur de 4 mm dans le bol à préparation. Ajouter les pommes de terre, une petite quantité à la fois, en les coupant pour qu'elles entrent dans la goulotte au besoin. Faire tourner le robot pour déchiqueter. Si désiré, rincer les pommes de terre et bien les égoutter. Lorsque l'eau bout, ajouter les pommes de terre et porter de nouveau à ébullition. Faire cuire 1 minute ou jusqu'à ce que les pommes de terre soient légèrement croquantes. Bien égoutter.
10 mL (2 c. à thé) de sel, divisé	
905 g (2 lb) de pommes de terre Russet	Remplacer le disque déchiqueteur par la lame polyvalente dans le bol à préparation. Pendant que le robot tourne, ajouter le persil et les oignons par la petite goulotte. Faire tourner le robot jusqu'à ce que les ingrédients soient hachés, 2 ou 3 secondes. Retirer et réserver.
60 mL (¼ de tasse) de feuilles de persil frais légèrement tassées	
6 oignons verts, coupés en morceaux de 2,5 cm (1 po)	Dans un grand bol à mélanger, combiner la crème sure, la farine, le poivre, les 2 mL (½ c. à thé) de sel restants et le jus de cuisson du bacon réservé; bien mélanger. Ajouter les pommes de terre, le fromage râpé, le mélange d'oignon et le bacon réservé; remuer doucement pour bien mélanger. Étaler sur un plat allant au four de 2,4 L (2 ½ pintes) graissé.
1 pot de 455 g (16 oz) de crème sure	
30 mL (2 c. à soupe) de farine tout-usage	
2 mL (½ c. à thé) de poivre noir concassé	
1 tranche (7,5 cm/3 po) de pain français	
15 mL (1 c. à soupe) de margarine ou de beurre, ramolli	

Suite à la page suivante

Pommes de terre au four garnies en cocotte

Ouvrir le pain français en longueur. Beurrer l'intérieur; refermer. Couper en morceaux de 2,5 cm (1 po). Placer la lame polyvalente dans le bol à préparation. Ajouter le pain beurré. Faire tourner le robot jusqu'à l'obtention d'une chapelure fine, de 10 à 12 secondes. Saupoudrer le mélange de chapelure sur les pommes de terre. Faire cuire à 177 °C (350 °F) 45 à 60 minutes ou jusqu'à ce que la préparation soit dorée et commence à bouillonner.

Donne : 12 portions de 175 mL (environ $\frac{3}{4}$ de tasse).

Par portion : Environ 290 calories, 9 g de protéines, 20 g de glucides, 19 g de matières grasses totales, 12 g de gras saturés, 45 mg de cholestérol, 520 mg de sodium.

Sauté de chou aigre-doux

$\frac{1}{2}$ chou (455 g [environ 1 lb]) coupé en lamelles

1 pomme sure, pelée, coupée en quartiers et évidée

1 petit oignon coupé en quartiers en longueur

5 tranches de bacon

30 mL (2 c. à soupe) de vinaigre de cidre

30 mL (2 c. à soupe) de sucre

30 mL (2 c. à soupe) d'eau

1 mL ($\frac{1}{4}$ c. à thé) de sel

1 mL ($\frac{1}{4}$ c. à thé) de poivre noir

Placer le disque éminceur de 2 mm dans le bol à préparation. Ajouter le chou, la pomme et l'oignon, une petite quantité à la fois. Faire tourner le robot pour trancher. Réserver.

Dans une grande poêle, faire cuire le bacon à feu moyen jusqu'à ce qu'il soit croquant. Retirer le bacon, égoutter et réserver. Ajouter le mélange de chou au jus de cuisson du bacon. Cuire à feu moyen jusqu'à ce que le chou soit légèrement cuit, environ 5 minutes, en remuant souvent. Ajouter le vinaigre, le sucre, l'eau, le sel et le poivre. Cuire 5 à 10 minutes ou jusqu'à ce que ce soit tendre, en remuant à l'occasion. Émietter le bacon sur le mélange.

Donne : 5 portions de 120 mL ($\frac{1}{2}$ tasse).

Par portion : Environ 100 calories, 3 g de protéines, 16 g de glucides, 3 g de matières grasses totales, 1 g de gras saturés, 5 mg de cholestérol, 260 mg de sodium.

Porc sichuannais

- 2 grosses gousses d'ail
1 morceau (5 cm [2 po]) de racine de gingembre pelé coupé en quartiers
- 30 mL (2 c. à soupe) de sauce soja
- 15 mL (1 c. à soupe) de xérès
- 5 mL (1 c. à thé) d'huile de sésame foncée
- 7 mL (1½ c. à thé) de piment de Cayenne en flocons broyé
- 340 g (¾ de lb) de filet de porc, coupé en morceaux de 7,6 cm (3 po) et congelé pendant 40 à 55 minutes
- 1 poivron rouge ou jaune, coupé en deux en longueur et épépiné
- 1 grosse branche de céleri, coupée en morceaux de 6,25 cm (2½ po)
- 15 mL (1 c. à soupe) d'huile végétale, divisée
- 4 oignons verts, coupés en diagonale en tranches de 1,25 cm (½ po)
- 235 mL (1 tasse) de bouillon de poulet
- 15 mL (1 c. à soupe) d'amidon de maïs
Riz cuit chaud ou nouilles chinoises chaudes, au goût
- Placer la lame polyvalente dans le bol à préparation. Pendant que le robot tourne, ajouter l'ail et la racine de gingembre par la petite goulotte. Faire tourner le robot pour hacher, de 8 à 10 secondes. Racler les parois du bol. Ajouter la sauce soja, le xérès, l'huile de sésame et le piment de Cayenne en flocons. Faire tourner le robot pour mélanger, environ 5 secondes. Racler les parois du bol.
- Remplacer la lame polyvalente par le disque éminceur de 2 mm. Ajouter le porc. Faire tourner le robot pour trancher. Retirer et placer dans un plat peu profond ou un grand sac de plastique pour aliments refermable; enrober le porc de la marinade. Réfrigérer 1 à 2 heures.
- Entre-temps, laver le robot. Placer le disque éminceur de 2 mm dans le bol à préparation. Ajouter les poivrons d'Amérique et le céleri. Faire tourner le robot pour trancher. Réserver.
- Dans une grande poêle, chauffer 10 mL (2 c. à thé) d'huile végétale à feu moyen-vif. Ajouter le mélange de porc. Faire cuire pendant 4 ou 5 minutes ou jusqu'à ce que le porc ne soit plus rose, en remuant de temps en temps. Continuer la cuisson en remuant jusqu'à évaporation complète du liquide. Retirer de la poêle.
- Ajouter les 5 mL (1 c. à thé) d'huile végétale restants dans la poêle. Ajouter le poivron, le céleri et les oignons. Faire cuire pendant 3 ou 4 minutes ou jusqu'à ce que les légumes soient légèrement croquants, en remuant de temps en temps.
- Dans un petit bol, mélanger le bouillon et l'amidon de maïs. Ajouter aux légumes et porter à ébullition. Ajouter le porc. Faire cuire 1 minute ou jusqu'à ce que le mélange épaississe et fasse des bulles. Servir sur du riz cuit chaud ou des nouilles chinoises chaudes, au goût.
- Donne : 8 portions.
- Par portion : Environ 180 calories, 19 g de protéines, 6 g de glucides, 9 g de matières grasses totales, 2 g de gras saturés, 50 mg de cholestérol, 740 mg de sodium.

Sauté de bœuf et de brocoli

- 2 gousses d'ail
1 blanc d'œuf
15 mL (1 c. à soupe) d'amidon de maïs, divisé
30 mL (2 c. à soupe) de sauce soja, divisée
5 mL (1 c. à thé) d'huile de sésame foncée
1 mL (¼ c. à thé) de piment de Cayenne en flocons broyé
0,5 mL (½ c. à thé) de gingembre
455 g (1 lb) de bifteck de flanc, coupé en morceaux de 6,25 cm (2½ po) et congelé pendant 40 à 55 minutes
175 mL (¾ de tasse) de bouillon de bœuf
20 mL (1½ c. à soupe) de sauce aux huîtres, au goût
235 mL (1 tasse) de champignons frais
1 oignon moyen, coupé en deux en longueur
½ brocoli moyen (environ 225 g [8 oz])
1 carotte moyenne
30 mL (2 c. à soupe) d'huile végétale, divisée
Riz cuit chaud, au goût
- Placer la lame polyvalente dans le bol à préparation. Pendant que le robot tourne, ajouter l'ail par la petite goulotte. Faire tourner pour hacher, de 5 à 10 secondes. Ajouter le blanc d'œuf, 5 mL (1 c. à thé) d'amidon de maïs, 15 mL (1 c. à soupe) de sauce soja, l'huile de sésame, les poivrons d'Amérique rouges et le gingembre. Faire tourner pour mélanger, de 5 à 10 secondes. Racler les parois du bol.
- Remplacer la lame polyvalente par le disque éminceur de 2 mm. Ajouter le bœuf. Faire tourner le robot pour trancher. Retirer et placer dans un plat peu profond ou un grand sac de plastique pour aliments refermable; enrober le porc de la marinade. Réfrigérer 1 à 2 heures. Laver le robot.
- Entre-temps, dans un petit bol, mettre le bouillon, la sauce aux huîtres (au goût), les 10 mL (2 c. à thé) d'amidon de maïs restants et les 15 mL (1 c. à soupe) de sauce soja restants. Réserver.
- Placer le disque éminceur de 2 mm dans le bol à préparation. Ajouter les champignons et les oignons une petite quantité à la fois. Faire tourner le robot pour trancher. Couper les fleurons de brocoli des tiges et ensuite les couper en petits morceaux. Réserver.
- Ajouter les tiges de brocoli et les carottes par la goulotte. Faire tourner le robot pour trancher. Réserver.
- Dans une grande poêle ou un wok, chauffer 15 mL (1 c. à soupe) d'huile végétale à feu moyen. Ajouter le mélange de bœuf. Faire cuire et remuer pendant 5 à 8 minutes ou jusqu'à ce que le bœuf ne soit plus rose, en remuant de temps en temps. Retirer et réserver.
- Faire chauffer les 15 mL (1 c. à soupe) d'huile restants à feu moyen-vif. Ajouter les légumes tranchés et les fleurons de brocoli; mélanger pour enrober. Couvrir et laisser cuire 4 minutes en remuant une fois. Enlever le couvercle; faire cuire en remuant environ 3 minutes de plus ou jusqu'à ce que la préparation soit croustillante et tendre. Ajouter le mélange de bouillon; porter à ébullition. Ajouter le mélange de bœuf. Faire cuire en remuant jusqu'à épaississement. Servir sur du riz chaud, au goût.

Donne : 5 portions.

Par portion : Environ 230 calories, 22 g de protéines, 9 g de glucides, 12 g de matières grasses totales, 3,5 g de gras saturés, 35 mg de cholestérol, 560 mg de sodium.

Pizza bien garnie

Croûte

- 235 mL (1 tasse) d'eau
30 mL (2 c. à soupe) d'huile d'olive
1 paquet de levure sèche active
710 mL (3 tasses) de farine tout-usage
30 g (1 oz) de parmesan frais râpé (voir Conseils)
5 mL (1 c. à thé) de sucre
4 mL (¾ c. à thé) de sel
2 mL (½ c. à thé) de basilic séché
Huile d'olive
Semoule de maïs

Dans une petite casserole, mettre l'eau et 30 mL (2 c. à soupe) d'huile. Faire chauffer à feu doux jusqu'à ce que ce soit chaud, 40,5 à 46,1 °C (105 à 115 °F). Incorporer la levure en remuant pour la dissoudre. Réserver.

Placer la lame pétrisseuse dans le bol à préparation. Ajouter la farine, le parmesan, le sucre, le sel et le basilic. Faire tourner le robot environ 5 secondes; racler les parois du bol. Faire tourner pour mélanger, environ 5 secondes, en raclant les parois du bol au besoin. Pendant que le robot tourne, ajouter lentement le mélange de levure. Faire tourner le robot pendant 1½ minute à 2 minutes; la pâte formera une boule.

Retirer et placer la pâte dans un bol graissé en la retournant pour graisser tous les côtés. Couvrir; laisser gonfler dans un endroit chaud jusqu'à ce que la pâte double de volume, soit pendant environ 45 à 60 minutes.

Sauce

- 355 à 475 mL (1½ à 2 tasses) de sauce à pizza, Alfredo, barbecue ou autre sauce préparée favorite

Graisser avec de l'huile d'olive une plaque à pizza de 35,5 cm (14 po) (3,75 cm [1½ po] de profondeur); saupoudrer de semoule de maïs. Dégonfler la pâte; former un grand cercle en tapotant. Placer sur la plaque en appuyant dans le fond et sur les côtés. Garnir de sauce, de viande, de légumes et de fromage, au goût.

Garniture

- 710 mL (3 tasses) de saucisse ou de bœuf haché cuit, de pepperoni tranché, de bacon, de jambon, de crevettes, de poulet cuit, de poivrons rôtis, de champignons frais, d'olives, d'oignons, d'ail rôti, de feuilles de basilic frais, de tomates tranchées, de cœurs d'artichaut, de câpres ou d'autres garnitures favorites
455 g (1 lb) de mozzarella, de provolone, de cheddar, de parmesan ou d'autre fromage favori râpé

Faire cuire à 204 °C (400 °F) pendant 5 minutes. Réduire la température à 177 °C (350 °F) et faire cuire 28 à 33 minutes ou jusqu'à ce que la croûte soit dorée et que le fromage fasse des bulles. Laisser reposer 15 minutes avant de couper.

Donne : 8 portions.

Par portion : Environ 510 calories, 26 g de protéines, 41 g de glucides, 26 g de matières grasses totales, 12 g de gras saturés, 55 mg de cholestérol, 970 mg de sodium.

Suite à la page suivante

Pizza bien garnie

VARIANTES

Pizza à croûte mince

Préparer la pâte tel qu'indiqué ci-dessus et laisser gonfler. Graisser deux plaques à pizza de 30,5 cm (12 po) avec de l'huile d'olive; saupoudrer de semoule de maïs. Dégonfler la pâte; diviser en 2 boules. Former deux cercles de 30,5 cm (12 po) et placer sur les plaques en appuyant dans le fond et sur les côtés. Faire cuire à 218 °C (425 °F) pendant 8 minutes.

Garnir chaque croûte de 235 mL (environ 1 tasse) de sauce, 355 mL (1½ tasse) de viande et ou de légumes et de 225 g (8 oz) de fromage, au goût. Faire cuire à 218 °C (425 °C) pendant 15 à 20 minutes ou jusqu'à ce que la croûte soit dorée et que le fromage fasse des bulles. Si la cuisson se fait sur deux grilles, inverser les plaques à mi-cuisson.

Donne : 8 portions.

Par portion : Environ 510 calories, 27 g de protéines, 42 g de glucides, 26 g de matières grasses totales, 12 g de gras saturés, 55 mg de cholestérol, 1 020 mg de sodium.

Saté de poulet à la sauce aux arachides

Poulet

- 2 gousses d'ail
- 5 mL (1 c. à thé) de racine de gingembre hachée grossièrement
- 60 mL (¼ de tasse) de sauce soja
- 30 mL (2 c. à soupe) d'huile d'arachide ou végétale
- 10 mL (2 c. à thé) de cassonade
- 455 à 565 g (1 à 1¼ lb) de filets de poitrine de poulet

Sauce

- 80 mL (⅓ de tasse) de lait de noix de coco
- 60 mL (¼ de tasse) de beurre d'arachide
- 30 mL (2 c. à soupe) de sauce soja
- 2 mL (½ c. à thé) de pâte de cari rouge

Placer la lame polyvalente dans le bol à préparation. Pendant que le robot tourne, ajouter l'ail et la racine de gingembre par la petite goulotte. Faire tourner le robot pour hacher, de 5 à 10 secondes. Ajouter la sauce soja, l'huile et la cassonade. Faire tourner le robot pour mélanger et pour dissoudre la cassonade, de 15 à 20 secondes. Retirer et mettre dans un sac en plastique pour aliments refermable ou une assiette peu profonde.

Ajouter le poulet; remuer pour enrober. Laisser mariner ½ heure à la température ambiante ou au moins 2 heures au réfrigérateur. Retirer le poulet de la marinade; réserver la marinade.

Enfiler les filets de poulet sur des brochettes de bois trempées ou de métal huilées. Faire griller au charbon à feu moyen-vif ou au four sur un gril-lèche-frite huilé à 10 à 15 cm (4 à 6 po) de l'élément chauffant pendant 8 à 10 minutes ou jusqu'à ce que le poulet soit bien cuit, en retournant une fois. Badigeonner du reste de marinade une fois pendant la cuisson, au goût. Servir avec la sauce aux arachides chaude ou tiède.

Donne : 4 portions.

Par portion : Environ 290 calories, 30 g de protéines, 5 g de glucides, 17 g de matières grasses totales, 6 g de gras saturés, 60 mg de cholestérol, 1 400 mg de sodium.

Fricadelles de saumon aux fines herbes avec mayonnaise à la coriandre et aux câpres

Mayonnaise

- 45 mL (3 c. à soupe) de feuilles de coriandre fraîche légèrement tassées
- 120 mL (½ tasse) de mayonnaise ou de sauce pour salade
- 15 mL (1 c. à soupe) de câpres, égouttées

Placer le mini-bol et la mini-lame dans le bol à préparation. Pendant que le robot tourne, ajouter la coriandre par la petite goulotte. Faire tourner le robot pour hacher, de 8 à 10 secondes. Racler les parois du bol. Ajouter la mayonnaise et les câpres. Faire tourner le robot pour mélanger, soit pendant 10 à 12 secondes. Retirer et placer dans un petit bol, couvrir et réfrigérer.

Fricadelles

- 475 mL (2 tasses) de cubes de pain français ou italien
- 15 mL (1 c. à soupe) de feuilles d'estragon frais
- 1 lanière d'écorce de citron, partie jaune seulement
- 2 oignons verts, coupés en morceaux de 2,5 cm (1 po)
- ½ branche de céleri, coupée en morceaux de 2,5 cm (1 po)
- 1 œuf
- 10 mL (2 c. à thé) de jus de citron
- 1 mL (¼ c. à thé) de sel
- 0,5 mL (½ c. à thé) de poivre noir
- 455 g (1 lb) de filets de saumon frais*, grillés, sans peau
- 15 mL (1 c. à soupe) d'huile d'olive
- 15 mL (1 c. à soupe) de margarine ou de beurre

Placer la lame polyvalente dans le bol à préparation. Ajouter le pain. Faire tourner le robot jusqu'à l'obtention d'une chapelure fine, environ 20 secondes. Retirer et placer dans un petit bol.

Pendant que le robot tourne, ajouter l'estragon, l'écorce de citron et les oignons par la petite goulotte. Faire tourner le robot pour hacher, soit pendant 5 à 8 secondes. Racler les parois du bol. Ajouter le céleri. Hacher par impulsions 2 ou 3 fois, environ 2 secondes chaque fois ou jusqu'à ce que le céleri soit haché. Ajouter l'œuf, le jus de citron, le sel, le poivre et 175 mL (¾ de tasse) de chapelure. Faire tourner le robot par impulsions 2 ou 3 fois, environ 2 secondes chaque fois ou jusqu'à l'obtention d'un mélange homogène. Ajouter le saumon. Hacher par impulsions 5 ou 6 fois, environ 2 secondes chaque fois ou jusqu'à l'obtention d'un mélange homogène. Le mélange sera mou; refroidir, au goût, pour faciliter la manipulation.

Suite à la page suivante

Fricadelles de saumon aux fines herbes avec mayonnaise à la coriandre et aux câpres

Former 4 galettes de 1,25 cm (½ po) d'épaisseur.
Enrober chaque côté des galettes du reste de chapelure.

Dans une grande poêle, faire chauffer l'huile et le beurre à feu moyen. Ajouter les galettes. Faire cuire 5 à 8 minutes ou jusqu'à ce que les galettes soient dorées et bien chaudes, en les retournant une fois avec soin. Servir avec la mayonnaise à la coriandre et aux câpres.

Donne : 4 portions.

* Peut être remplacé par 2 boîtes de 200 g (7 oz) chacune de saumon, égoutté.

Conseil : On peut faire et réfrigérer la mayonnaise et les fricadelles non cuites 1 jour à l'avance. Faire cuire les fricadelles juste avant de servir.

Par portion : Environ 510 calories, 29 g de protéines, 10 g de glucides, 38 g de matières grasses totales, 7 g de gras saturés, 140 mg de cholestérol, 450 mg de sodium.

Pain au blé

- 160 mL ($\frac{1}{2}$ de tasse) de lait
 80 mL ($\frac{1}{2}$ de tasse) d'eau
 45 mL (3 c. à soupe) de margarine ou de beurre, coupé en morceaux
 45 mL (3 c. à soupe) de miel
 1 paquet de levure sèche active
 355 mL ($1\frac{1}{2}$ tasse) de farine tout-usage
 355 mL ($1\frac{1}{2}$ tasse) de farine de blé entier
 175 mL ($\frac{3}{4}$ de tasse) de moitiés ou de morceaux de noix
 60 mL ($\frac{1}{4}$ de tasse) de germe de blé
 5 mL (1 c. à thé) de sel
 5 mL (1 c. à thé) de beurre ou de margarine fondu, au goût
 5 mL (1 c. à thé) de germe de blé, au goût
- Combiner le lait, l'eau, 45 mL (3 c. à soupe) de beurre et le miel dans une petite casserole. Faire chauffer à feu doux jusqu'à une température allant de 40,5 à 46,1 °C (105 à 115 °F). Incorporer la levure en remuant pour la dissoudre. Réserver.
- Placer la lame pétrisseuse dans le bol à préparation. Ajouter la farine tout-usage, la farine de blé entier, les noix, 60 mL ($\frac{1}{4}$ de tasse) de germe de blé et le sel. Faire tourner le robot pendant 10 secondes; racler les parois du bol. Faire tourner le robot jusqu'à l'obtention d'un mélange homogène, en raclant les parois du bol au besoin. Pendant que le robot tourne, ajouter lentement le mélange de levure par la petite goulotte. Faire tourner le robot pendant 1 minute à 1 minute 15 secondes; la pâte formera une boule légèrement collante.
- Retirer et placer la pâte dans un bol graissé en la retournant pour graisser tous les côtés. Couvrir; laisser gonfler dans un endroit chaud jusqu'à ce que la pâte double de volume, soit pendant environ 45 à 60 minutes.
- Dégonfler la pâte. Former une miche et placer dans un moule à pain graissé de 21,6 x 11,4 x 6,3 cm ($8\frac{1}{2}$ x $4\frac{1}{2}$ x $2\frac{1}{2}$ po). Couvrir; laisser gonfler dans un endroit chaud jusqu'à ce que la pâte double de volume, soit pendant environ 45 à 60 minutes. Badigeonner de beurre fondu et saupoudrer de germe de blé, au goût.
- Faire cuire à 191 °C (375 °F) pendant 30 à 40 minutes ou jusqu'à ce que le pain soit doré et qu'un son caverneux se fasse entendre lorsqu'on tape dessus. Laisser refroidir sur une grille.
- Donne : 1 pain (12 portions).
- Par portion : Environ 200 calories, 6 g de protéines, 29 g de glucides, 8 g de matières grasses totales, 2,5 g de gras saturés, 10 mg de cholestérol, 200 mg de sodium.

Pain blanc de ménage

- 175 mL ($\frac{3}{4}$ de tasse) d'eau
60 mL ($\frac{1}{4}$ de tasse) de lait
30 mL (2 c. à soupe) de margarine ou de beurre
1 paquet de levure sèche active
- 710 mL (3 tasses) de farine tout-usage
15 mL (1 c. à soupe) de sucre
5 mL (1 c. à thé) de sel
5 mL (1 c. à thé) de margarine ou de beurre fondu, au goût
- Combiner l'eau, le lait et 30 mL (2 c. à soupe) de beurre dans une petite casserole. Faire chauffer à feu doux jusqu'à une température allant de 40,5 à 46,1 °C (105 à 115 °F). Incorporer la levure en remuant pour la dissoudre. Réserver.
- Placer la lame pétrisseuse dans le bol à préparation. Ajouter la farine, le sucre et le sel. Faire tourner le robot pour mélanger, soit pendant environ 5 secondes, en raclant les parois du bol au besoin. Pendant que le robot tourne, ajouter lentement le mélange de levure par la petite goulotte. Faire tourner le robot pendant 1 minute à 1 minute 15 secondes; la pâte formera une boule légèrement collante.
- Retirer et placer la pâte dans un bol graissé en la retournant pour graisser tous les côtés. Couvrir; laisser gonfler dans un endroit chaud jusqu'à ce que la pâte double de volume, soit pendant environ 45 à 60 minutes.
- Dégonfler la pâte. Former une miche et placer dans un moule à pain de 21,6 x 11,4 x 6,3 cm (8½ x 4½ x 2½ po) graissé. Couvrir; laisser gonfler dans un endroit chaud jusqu'à ce que la pâte double de volume, soit pendant environ 30 à 45 minutes. Badigeonner avec 5 mL (1 c. à thé) de beurre fondu, au goût.
- Faire cuire à 191 °C (375 °F) pendant 35 à 40 minutes ou jusqu'à ce que la miche soit bien dorée et qu'un son caverneux se fasse entendre lorsqu'on tape dessus. Démouler immédiatement la miche. Laisser refroidir sur une grille.
- Donne : 1 miche (12 portions).
- Par portion : Environ 130 calories, 4 g de protéines, 24 g de glucides, 2,5 g de matières grasses totales, 1,5 g de gras saturés, 5 mg de cholestérol, 200 mg de sodium.

Variantes du pain blanc de ménage

Pain à la cannelle

Après la première levée, abaisser la pâte pour former un rectangle de 38 x 23 cm (15 x 9 po). Badigeonner de 15 mL (1 c. à soupe) de margarine ou de beurre ramolli. Saupoudrer de 45 mL (3 c. à soupe) de sucre et de 5 mL (1 c. à thé) de cannelle. Rouler fermement dans le sens de la largeur pour former un pain. Pincer pour sceller les extrémités et le dessous. Placer dans un moule à pain de 21,6 x 11,4 x 6,3 cm (8½ x 4½ x 2½ po) graissé, le joint vers le bas. Suivre les directives de préparation du pain blanc.

Donne : 1 miche (12 portions).

Par portion : Environ 150 calories, 4 g de protéines, 27 g de glucides, 3,5 g de matières grasses totales, 2 g de gras saturés, 10 mg de cholestérol, 200 mg de sodium.

Pain au poivre et au parmesan

Après la première levée, abaisser la pâte pour former un rectangle de 38 x 23 cm (15 x 9 po). Badigeonner de 15 mL (1 c. à soupe) de margarine ou de beurre ramolli. Saupoudrer de 45 mL (3 c. à soupe) de parmesan fraîchement râpé et de 1 mL (¼ c. à thé) de poivre noir moulu grossièrement. Rouler fermement dans le sens de la largeur pour former un pain. Pincer pour sceller les extrémités et le dessous. Placer dans un moule à pain de 21,6 x 11,4 x 6,3 cm (8½ x 4½ x 2½ po) graissé, le joint vers le bas. Suivre les directives de préparation du pain blanc.

Donne : 1 miche (12 portions).

Par portion : Environ 150 calories, 4 g de protéines, 24 g de glucides, 3,5 g de matières grasses totales, 2 g de gras saturés, 10 mg de cholestérol, 220 mg de sodium.

Scones aux canneberges et aux noix

- 475 mL (2 tasses) de farine tout-usage
- 10 mL (2 c. à thé) de poudre à pâte
- 1 mL (¼ c. à thé) de cannelle
- 0,5 mL (½ c. à thé) de muscade
- 1 mL (¼ c. à thé) de sel
- 30 mL (2 c. à soupe) de sucre
- 80 mL (½ de tasse) de margarine ou de beurre froid, coupé en morceaux de 1,25 cm (½ po)
- 1 jaune d'œuf
- 160 mL (⅔ de tasse) de crème à fouetter
- 175 mL (¾ de tasse) de canneberges séchées
- 160 mL (⅔ de tasse) de moitiés ou de morceaux de noix
- 5 mL (1 c. à thé) de sucre, au goût

Placer la lame polyvalente dans le bol à préparation. Ajouter la farine, la poudre à pâte, la cannelle, la muscade, le sel et 30 mL (2 c. à soupe) de sucre. Faire tourner le robot pour bien mélanger, environ 10 secondes. Ajouter le beurre. Faire tourner le robot par impulsions 5 fois, environ 2 secondes chaque fois ou jusqu'à l'obtention d'un mélange grumeleux.

Dans un petit bol, combiner le jaune d'œuf et la crème. Verser uniformément sur le mélange de farine dans le bol à préparation. Ajouter les canneberges et les noix. Faire tourner le robot jusqu'à ce que les ingrédients secs soient humectés, environ 5 secondes.

Retourner sur une surface légèrement farinée. Former un cercle de 17,8 cm (7 po) d'environ 2,5 cm (1 po) d'épaisseur en tapotant. Saupoudrer 5 mL (1 c. à thé) de sucre, au goût. Couper en 8 pointes. Disposer sur une plaque à pâtisserie graissée. Faire cuire à 204 °C (400 °F) pendant 18 à 20 minutes ou jusqu'à ce que les pointes soient légèrement dorées et fermes au toucher. Servir chaud.

Donne : 8 scones (1 scone par portion).

Par portion : Environ 350 calories, 5 g de protéines, 38 g de glucides, 21 g de matières grasses totales, 10 g de gras saturés, 70 mg de cholestérol, 200 mg de sodium.

Petits pains au babeurre et au parmesan

- 55 g (2 oz) de fromage parmesan, coupé en morceaux de 2,5 cm (1 po), à la température ambiante
- 475 mL (2 tasses) de farine tout-usage
- 15 mL (1 c. à soupe) de poudre à pâte
- 5 mL (1 c. à thé) de bicarbonate de soude
- 1 mL (¼ c. à thé) de sel
- 80 mL ½ de tasse) de shortening
- 175 mL (¾ de tasse) de babeurre
- 30 mL (2 c. à soupe) de beurre fondu, au goût

Placer la lame polyvalente dans le bol à préparation. Pendant que le robot tourne, ajouter le fromage par la petite goulotte. Faire tourner pour râper, soit de 30 à 45 secondes. Ajouter la farine, la poudre à pâte, le bicarbonate de soude et le sel. Faire tourner le robot pour mélanger, soit environ 3 secondes.

Ajouter le shortening. Faire tourner le robot par impulsions 6 à 8 fois, environ 1 seconde chaque fois ou jusqu'à ce que le mélange soit grumeleux. Verser le babeurre uniformément sur le mélange. Faire tourner le robot par impulsions 4 à 6 fois, environ 1 seconde chaque fois ou jusqu'à ce que le mélange forme une boule. Ne pas trop mélanger.

Placer la pâte sur une surface farinée. Abaisser la pâte en tapotant ou au rouleau jusqu'à 1,25 cm (½ po) d'épaisseur. Découper à l'aide d'un emporte-pièce rond de 5 cm (2 po) fariné. Au goût, abaisser délicatement les morceaux de pâte de nouveau afin d'obtenir des petits pains supplémentaires. Disposer sur une plaque à pâtisserie non graissée. Badigeonner de beurre fondu, au goût. Faire cuire à 232 °C (450 °F) pendant 8 à 10 minutes ou jusqu'à ce que les petits pains soient légèrement dorés.

Donne : 14 petits pains (1 petit par portion).

Par portion : Environ 130 calories, 4 g de protéines, 14 g de glucides, 6 g de matières grasses totales, 2 g de gras saturés, 5 mg de cholestérol, 320 mg de sodium.

Pain aux bananes et aux noix macadamia

- 3 bananes moyennes mûres
2 œufs
120 mL (½ tasse) de margarine ou de beurre, coupé en morceaux et ramolli
45 mL (3 c. à soupe) de babeurre
5 mL (1 c. à soupe) de vanille
235 mL (1 tasse) de sucre
7 mL (1½ c. à thé) de poudre à pâte
2 mL (½ c. à thé) de bicarbonate de soude
2 mL (½ c. à thé) de sel
1 mL (¼ c. à thé) de cannelle
475 mL (2 tasses) de farine tout-usage*
1 pot de 92 g (3,25 oz) de noix macadamia

Placer le disque éminceur de 2 mm dans le bol à préparation. Ajouter les bananes. Faire tourner le robot pour trancher.

Remplacer le disque éminceur par la lame polyvalente dans le bol de travail. Ajouter les œufs, le beurre, le babeurre, la vanille et le sucre. Faire tourner le robot jusqu'à l'obtention d'un mélange crémeux, environ 45 secondes. Ajouter la poudre à pâte, le bicarbonate de soude, le sel et la cannelle. Faire tourner le robot par impulsions 3 fois, environ 1 seconde chaque fois. Ajouter la farine et les noix. Faire tourner le robot par impulsions 3 fois, environ 1 seconde chaque fois ou jusqu'à ce que les ingrédients secs soient humectés.

Verser dans un moule à pain de 23 x 12,7 x 7,6 cm (9 x 5 x 3 po) graissé et fariné. Faire cuire à 177 °C (350 °F) pendant 55 à 60 minutes ou jusqu'à ce qu'un cure-dent inséré au centre en ressorte propre. Laisser refroidir dans le moule pendant 10 minutes. Démouler et laisser refroidir complètement sur une grille.

Donne : 12 portions.

*Au goût, remplacer 235 mL (1 tasse) de farine tout-usage par 235 mL (1 tasse) de farine de blé entier.

Conseil : Si le moule à pain fait 21,6 x 11,4 x 6,3 cm (8½ x 4½ x 2½ po), faire cuire 60 à 65 minutes.

Par portion : Environ 300 calories, 4 g de protéines, 40 g de glucides, 15 g de matières grasses totales, 5 g de gras saturés, 55 mg de cholestérol, 300 mg de sodium.

Gâteau velouté au fromage et à la crème sure

Croûte

- 16 carrés de 6,25 cm (2½ po) chacun de biscuits Graham, cassés
- 60 mL (¼ de tasse) de margarine ou de beurre, fondu

Placer la lame polyvalente dans le bol à préparation. Ajouter les biscuits. Faire tourner le robot jusqu'à l'obtention d'une chapelure fine, soit pendant 40 à 50 secondes. Ajouter lentement le beurre à la chapelure. Faire tourner le robot pour mélanger, soit pendant 15 à 25 secondes. Tasser le mélange dans le fond et sur les côtés (3,75 cm / 1½ po) d'un moule à charnière de 23 cm (9 po). Faire cuire à 177 °C (350 °F) 8 à 10 minutes ou jusqu'à ce que la croûte ait pris. Laisser refroidir.

Garniture

- 2 paquets de 225 g (8 oz) chacun de fromage à la crème, ramolli
- 2 œufs
- 315 mL (1¼ tasse) de crème sure
- 160 mL (⅔ de tasse) de sucre
- 5 mL (1 c. à thé) de vanille
- 0,5 mL (⅛ c. à thé) de sel

Essuyer le bol à préparation. Placer la lame polyvalente dans le bol à préparation. Ajouter le fromage à la crème et les œufs. Faire tourner le robot pour mélanger, de 10 à 15 secondes. Ajouter le reste des ingrédients. Faire tourner le robot jusqu'à l'obtention d'un mélange lisse et homogène, environ 15 secondes, en raclant les parois du bol au besoin.

Verser dans la croûte. Faire cuire à 177 °C (350 °F) 40 à 50 minutes ou jusqu'à ce que les bords aient pris et que le centre soit légèrement ferme. Laisser refroidir 1 ou 2 heures sur une grille. Réfrigérer au moins 4 heures. Retirer les côtés du moule pour trancher. Servir avec un coulis de fruits, de la garniture à tarte ou encore de la sauce au chocolat ou aux fruits, au goût.

Donne : 12 portions.

Par portion : Environ 320 calories, 5 g de protéines, 21 g de glucides, 24 g de matières grasses totales, 14 g de gras saturés, 95 mg de cholestérol, 230 mg de sodium.

Tarte aux fruits frais

Abaisse

- 235 mL (1 tasse) de farine tout-usage
- 10 mL (2 c. à thé) de sucre
- 1 mL ($\frac{1}{4}$ c. à thé) de sel
- 60 mL ($\frac{1}{4}$ de tasse) de beurre froid, coupé en morceaux de 2,5 cm (1 po)
- 15 mL (1 c. à soupe) de shortening froid
- 1 jaune d'œuf
- 30 mL (2 c. à soupe) d'eau glacée
- 5 mL (1 c. à thé) de jus de citron
- 1 œuf, mélangé à 15 mL (1 c. à soupe) d'eau

Placer la lame polyvalente dans le bol à préparation. Ajouter la farine, le sucre et le sel. Faire tourner le robot jusqu'à l'obtention d'un mélange homogène, environ 2 secondes. Ajouter le beurre et le shortening. Faire tourner le robot par impulsions 3 ou 4 fois, 2 ou 3 secondes chaque fois ou jusqu'à l'obtention d'un mélange grumeleux. Dans un petit bol, mélanger le jaune d'œuf, 30 mL (2 c. à soupe) d'eau et le jus de citron. Saupoudrer uniformément sur le mélange de farine. Faire tourner le robot par impulsions 2 à 4 fois, 2 ou 3 secondes chaque fois ou jusqu'à ce que le mélange se détache des parois du bol et s'agglomère. Retirer la pâte, couvrir et refroidir pendant une demi-heure.

Entre-temps, dans une petite casserole, combiner le sucre, l'amidon de maïs et le sel à feu moyen. Ajouter la demi-crème et les 2 jaunes d'œuf. Faire cuire en remuant jusqu'à ce que le mélange devienne très épais. Retirer du feu. Ajouter la vanille. Fouetter pour obtenir une consistance lisse. Laisser refroidir complètement.

Garniture

- 60 mL ($\frac{1}{4}$ de tasse) de sucre
- 15 mL (1 c. à soupe) d'amidon de maïs
- 0,5 mL ($\frac{1}{8}$ c. à thé) de sel
- 175 mL ($\frac{3}{4}$ de tasse) de demi-crème
- 2 jaunes d'œufs, battus
- 2 mL ($\frac{1}{2}$ c. à thé) de vanille

Placer la pâte sur une surface farinée. Abaisser la pâte pour former un cercle dépassant de 5 cm (2 po) une assiette à tarte de 25 cm (10 po) inversée. Placer dans l'assiette à tarte, en prenant soin de ne pas étirer la pâte. Couper les bords de l'abaisse. Bien piquer l'abaisse à la fourchette. Faire cuire à 218 °C (425 °F) pendant 8 à 12 minutes ou jusqu'à ce que l'abaisse soit légèrement dorée. Badigeonner l'abaisse du mélange d'œuf et d'eau pour sceller les trous. Faire cuire 1 minute pour que l'œuf prenne. Laisser refroidir complètement.

Suite à la page suivante

Décoration

- 1 pêche moyenne, pelée, coupée en deux, dénoyautée
- 235 mL (1 tasse) de fraises fraîches équeutées
- 30 mL (2 c. à soupe) de gelée de pommes fondues

Tarte aux fruits frais

Laver le robot. Placer le disque éminceur de 2 mm dans le bol à préparation. Ajouter les pêches. Faire tourner le robot pour trancher. Retirer et réserver. Placer le disque éminceur de 2 mm dans le bol à préparation. Ajouter les fraises. Faire tourner le robot pour trancher.

Répartir le mélange de crème pâtissière dans la croûte. Disposer les fruits tranchés sur la crème pâtissière. Badigeonner doucement de gelée fondue pour bien couvrir les fruits. Réfrigérer au moins 1 heure avant de servir.

Donne : 8 portions.

Conseil : Il est préférable de consommer la tarte le jour de sa confection.

Par portion : Environ 230 calories, 4 g de protéines, 27 g de glucides, 12 g de matières grasses totales, 6 g de gras saturés, 125 mg de cholestérol, 130 mg de sodium.

Tarte aux poires et aux noisettes

1 abaisse à tarte de
23 cm (9 po)
(voir page 128)

Nappage

- 355 mL (1½ tasse) de noisettes
- 80 mL (⅓ de tasse) de farine tout-usage
- 120 mL (½ tasse) de cassonade tassée
- 120 mL (½ tasse) de flocons d'avoine
- 1 mL (¼ c. à thé) de cannelle
- 1 mL (¼ c. à thé) de muscade
- 120 mL (½ tasse) de margarine ou de beurre, coupé en morceaux et ramolli

Garniture

- 4 grosses poires fermes, coupées en deux en longueur et évidées
- 60 mL (¼ de tasse) de sucre granulé
- 15 mL (1 c. à soupe) de farine tout-usage
- 15 mL (1 c. à soupe) de jus de citron
- 2 mL (¼ c. à thé) de cannelle

Mettre l'abaisse dans une assiette à tarte de 23 cm (9 po). Pincer les bords de l'abaisse; réserver.

Placer la lame polyvalente dans le bol à préparation. Ajouter tous les ingrédients du nappage sauf le beurre. Faire tourner le robot par impulsions 4 à 5 fois, environ 2 secondes chaque fois ou jusqu'à ce que les noix soient grossièrement hachées. Ajouter le beurre. Faire tourner le robot par impulsions 4 ou 5 fois, environ 3 secondes chaque fois ou jusqu'à ce que le mélange soit grumeleux. Retirer et réserver.

Remplacer la lame polyvalente par le disque éminceur de 2 mm dans le bol à préparation. Ajouter les poires. Faire tourner le robot pour trancher. Retirer et mettre dans un grand bol à mélanger. Ajouter les autres ingrédients de la garniture. Bien mélanger.

Mettre le mélange de poires dans l'abaisse. Couvrir du nappage de noisettes. Couvrir grossièrement la tarte de papier d'aluminium. Faire cuire à 191 °C (375 °F) pendant 45 minutes. Enlever le papier d'aluminium. Faire cuire pendant encore 15 à 30 minutes ou jusqu'à ce que la garniture fasse des bulles et que les fruits soient tendres.

Donne : 8 portions.

Conseil : Pour préparer une garniture de pommes et de poires, remplacer 2 poires par 2 grosses pommes croquantes.

Par portion : Environ 560 calories, 7 g de protéines, 60 g de glucides, 35 g de matières grasses totales, 11 g de gras saturés, 35 mg de cholestérol, 80 mg de sodium.

Abaisse à tarte

Une abaisse

- 235 mL (1 tasse) de farine tout-usage
- 1 mL (¼ c. à thé) de sel
- 60 mL (¼ de tasse) de shortening froid
- 15 mL (1 c. à soupe) de margarine ou de beurre froid, coupé
- 30 à 60 mL (2 à 4 c. à soupe) d'eau glacée

Placer la lame polyvalente dans le bol à préparation. Ajouter la farine et le sel. Faire tourner le robot jusqu'à l'obtention d'un mélange homogène, environ 2 secondes. Ajouter le shortening et le beurre. Faire tourner le robot par impulsions 3 ou 4 fois, 2 ou 3 secondes chaque fois ou jusqu'à l'obtention d'un mélange grumeleux. Saupoudrer une quantité minimale d'eau uniformément sur le mélange. Faire tourner le robot par impulsions 1 à 3 fois, 2 ou 3 secondes chaque fois ou jusqu'à ce que le mélange se détache des parois du bol et que les ingrédients secs soient humectés. Ajouter plus d'eau au besoin.

Deux abaisses

- 475 mL (2 tasses) de farine tout-usage
- 4 mL (½ c. à thé) de sel
- 120 mL (½ tasse) de shortening froid
- 45 mL (3 c. à soupe) de margarine ou de beurre froid, coupé
- 75 à 105 mL (5 à 7 c. à soupe) d'eau glacée

Sur une surface légèrement farinée, former une boule (2 boules pour 2 abaisses). Abaisser chaque boule de pâte de façon à former un cercle dépassant de 5 cm (2 po) l'assiette à tarte inversée. Placer l'abaisse dans l'assiette à tarte. Suivre les directives de la recette de tarte.

Pour faire cuire une croûte à tarte simple, pincer les bords de l'abaisse. Bien piquer l'abaisse à la fourchette. Faire cuire à 218 °C (425 °F) 9 à 12 minutes ou jusqu'à ce que la croûte soit légèrement dorée. Pour faire cuire une tarte à deux croûtes, suivre les directives de la recette de tarte.

Donne : 1 abaisse (8 portions).

Par portion (une abaisse) : Environ 120 calories, 2 g de protéines, 11 g de glucides, 8 g de matières grasses totales, 2,5 g de gras saturés, 5 mg de cholestérol, 75 mg de sodium.

Par portion (deux abaisses) : Environ 260 calories, 4 g de protéines, 23 g de glucides, 17 g de matières grasses totales, 6 g de gras saturé, 10 mg de cholestérol, 220 mg de sodium.

Gâteau aux carottes avec glaçage au fromage à la crème

Gâteau

- 455 g (1 lb) de carottes (6 à 7 moyennes)
- 475 mL (2 tasses) de sucre
- 160 mL (2/3 de tasse) d'huile végétale
- 3 œufs
- 10 mL (2 c. à thé) de vanille
- 535 mL (2 1/4 tasses) de farine tout-usage
- 10 mL (2 c. à thé) de bicarbonate de soude
- 10 mL (2 c. à thé) de cannelle
- 2 mL (1/2 c. à thé) de sel
- 1 mL (1/4 c. à thé) de muscade
- 120 mL (1/2 tasse) de moitiés ou morceaux de pacanes
- 60 mL (1/4 de tasse) de raisins secs
- 60 mL (1/4 de tasse) de noix de coco en flocons

Placer le disque déchiqueteur de 4 mm dans le bol à préparation. Ajouter les carottes, en les coupant pour qu'elles entrent dans la goulotte au besoin. Faire tourner le robot pour déchiqueter. (Devrait donner environ 710 mL [3 tasses]).

Remplacer le disque déchiqueteur par la lame polyvalente dans le bol à préparation. Ajouter le sucre, l'huile, les œufs, la vanille et les carottes. Faire tourner le robot pour bien mélanger, de 8 à 10 secondes. Racler les parois du bol. Faire tourner le robot encore 25 à 30 secondes pour dissoudre le sucre. Étaler la farine, le bicarbonate de soude, la cannelle, le sel et la muscade uniformément sur le mélange de carottes dans le bol. Faire tourner le robot par impulsions 2 fois, 2 à 3 secondes chaque fois ou pour bien mélanger mais sans plus. Saupoudrer uniformément les noix, les raisins et la noix de coco sur le mélange. Faire tourner le robot pour bien mélanger mais sans plus, soit pendant 2 ou 3 secondes.

Verser la pâte uniformément dans 2 moules à gâteau ronds de 23 cm (9 po) graissés et farinés. Faire cuire à 177 °C (350 °F) pendant environ 30 minutes ou jusqu'à ce qu'un cure-dent inséré au centre en ressorte propre. Laisser refroidir dans les moules sur une grille pendant 10 minutes. Démouler; laisser refroidir complètement. Garnir de glaçage au fromage à la crème.

Glaçage

- 1 litre (4 1/2 tasses) de sucre à glacer
- 170 g (6 oz) de fromage à la crème, ramolli et coupé en 8 morceaux
- 60 mL (1/4 de tasse) de margarine ou de beurre, ramolli
- 4 mL (3/4 c. à thé) de vanille
- 5 à 10 mL (1 à 2 c. à thé) de lait

Placer la lame polyvalente dans le bol à préparation. Ajouter le sucre à glacer, le fromage à la crème, le beurre, la vanille et 5 mL (1 c. à thé) de lait. Faire tourner le robot pour bien mélanger, environ 15 à 20 secondes. Pendant que le robot tourne, ajouter au besoin les 5 mL (1 c. à thé) de lait restants par la petite goulotte jusqu'à ce que le glaçage ait la consistance d'une tartinade.

Donne : 12 portions.

Conseil : Pour un gâteau rectangulaire, verser la pâte dans un moule à gâteau de 23 x 33 x 5 cm (9 x 13 x 2 po) graissé et fariné. Faire cuire à 177 °C (350 °F) pendant 40 à 50 minutes.

Par portion : Environ 660 calories, 6 g de protéines, 103 g de glucides, 27 g de matières grasses totales, 9 g de gras saturés, 80 mg de cholestérol, 400 mg de sodium.

Biscuits à la vanille et aux morceaux de chocolat

120 mL ($\frac{1}{2}$ tasse) de margarine ou de beurre ramolli	<p>Placer la lame polyvalente dans le bol à préparation. Ajouter le beurre, le shortening, le sucre granulé et la cassonade. Faire tourner le robot jusqu'à ce que le mélange soit crémeux, environ 20 secondes. Ajouter les œufs, la vanille, le bicarbonate de soude et le sel. Faire tourner le robot pour bien mélanger, environ 10 secondes. Ajouter la farine; saupoudrer uniformément le chocolat blanc et le chocolat au lait sur la farine. Faire tourner le robot par impulsions 6 à 8 fois, 2 à 3 secondes chaque fois ou jusqu'à l'obtention d'un mélange homogène.</p> <p>Déposer la pâte par cuillérées à soupe rases sur une plaque à biscuit non graissée. Faire cuire à 191 °C (375 °F) 8 à 10 minutes ou jusqu'à ce que les biscuits soient légèrement dorés. Laisser refroidir sur une grille.</p> <p>Donne : 4 douzaines (1 biscuit par portion).</p> <p>*Pour des biscuits plus mous, n'utiliser qu'un œuf.</p> <p>Par portion : Environ 110 calories, 1 g de protéines, 13 g de glucides, 6 g de matières grasses totales, 3 g de gras saturés, 15 mg de cholestérol, 60 mg de sodium.</p>
80 mL ($\frac{1}{2}$ de tasse) de shortening	
120 mL ($\frac{1}{2}$ tasse) de sucre granulé	
120 mL ($\frac{1}{2}$ tasse) de cassonade tassée	
2 œufs *	
10 mL (2 c. à thé) de vanille	
5 mL (1 c. à thé) de bicarbonate de soude	
2 mL ($\frac{1}{2}$ c. à thé) de sel	
475 mL (2 tasses) de farine tout-usage	
295 mL ($\frac{1}{4}$ tasse) de morceaux de chocolat blanc	
295 mL ($\frac{1}{4}$ tasse) de morceaux de chocolat au lait	

Garantie du robot culinaire Kitchenaid®

Durée de la garantie :	KitchenAid Canada assumera les frais suivants :	KitchenAid Canada n'assumera pas les frais suivants :
Garantie totale d'un an à compter de la date d'achat	Les pièces de rechange et les frais de main-d'œuvre nécessaires pour corriger les vices de matériaux et de fabrication. Le service doit être assuré par un fournisseur de service après-vente KitchenAid autorisé.	<ul style="list-style-type: none"> A. Les réparations si le robot culinaire est utilisé à des fins autres qu'un usage unifamilial normal. B. Les dommages résultant d'un accident, d'une modification, d'une mauvaise utilisation, d'un emploi abusif, d'un incendie, d'une inondation, d'un cas de force majeure ou de l'utilisation de produits non approuvés par KitchenAid. C. Les frais indirects d'expédition ou de manutention pour livrer le robot culinaire à un fournisseur de service après-vente KitchenAid Canada autorisé. D. Les pièces de rechange ou les frais de main-d'œuvre nécessaires pour réparer un robot culinaire utilisé à l'extérieur du Canada.

KITCHENAID CANADA N'ASSUME AUCUNE RESPONSABILITÉ POUR LES DOMMAGES ACCESSOIRES OU INDIRECTS. Certaines provinces n'autorisent ni l'exclusion, ni la limitation des dommages accessoires ou indirects de sorte que cette exclusion peut ne pas s'appliquer dans votre cas. La présente garantie vous confère des garanties juridiques spécifiques, en plus d'autres droits dont vous pouvez bénéficier et qui varient d'une province à l'autre.

Comment se prévaloir du service après-vente couvert par la garantie

Consulter d'abord la section « Dépannage »; il se peut qu'une réparation ne soit pas nécessaire.

La garantie d'un an à compter de la date d'achat offerte par KitchenAid Canada couvre les pièces de rechange et les frais de main-d'œuvre nécessaires pour corriger les vices de matériaux et de fabrication. Le service doit être assuré par un Centre de service KitchenAid autorisé.

Il suffit d'apporter le robot culinaire à un Centre de service KitchenAid Canada autorisé ou de le faire parvenir par la poste (envoi prépayé et assuré). Une fois réparé, le robot culinaire sera retourné sans frais à son propriétaire.

Tout client qui n'arrive pas à obtenir ainsi satisfaction peut communiquer avec KitchenAid Canada, 1901 Minnesota Court, Mississauga, Ontario L5N 3A7.

Téléphone : 1 800 807-6777.

Pour se prévaloir du service après-vente après l'expiration de la garantie

⚠ AVERTISSEMENT



Risque de choc électrique
Débrancher avant l'entretien.
Le non-respect de cette instruction peut causer un décès ou un choc électrique.

- Consulter d'abord la section « Dépannage » à la page 79.
- Ensuite, trouver dans l'annuaire téléphonique un Centre de service KitchenAid autorisé situé à proximité. S'il n'y en a pas, composer le 1 800 807-6777 pour communiquer, de n'importe où au Canada, avec la ligne de service après-vente KitchenAid.
- Apporter le robot culinaire à un Centre de service KitchenAid autorisé ou le faire parvenir par la poste (envoi prépayé et assuré). Une fois réparé, le robot culinaire sera retourné sans frais à son propriétaire.
- Tout service non couvert par la garantie devrait être effectué par un Centre de service après-vente KitchenAid autorisé.



FOR THE WAY IT'S MADE.®
BIEN PENSÉ. BIEN FABRIQUÉ.®

®Registered trademark/™ Trademark of KitchenAid, U.S.A.,
KitchenAid Canada licensee in Canada
© 2004. All rights reserved.

®Marque déposée / ™ Marque de commerce de KitchenAid, U.S.A.,
emploi licencié par KitchenAid Canada au Canada
© 2004. Tous droits réservés.

1901 Minnesota Court, Mississauga ON L5N 3A7

(dZw704)