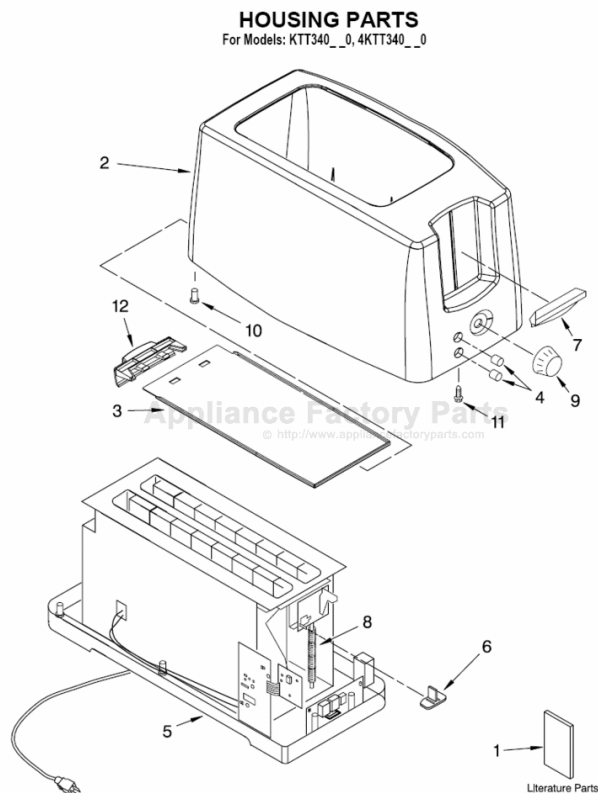


This Owner's Manual is provided and hosted by [Appliance Factory Parts](http://www.appliancefactoryparts.com).



KITCHENAID KTT340TG0 Owner's Manual

[Shop genuine replacement parts for KITCHENAID
KTT340TG0](#)



[Find Your KITCHENAID Small Appliance Parts - Select From 538 Models](#)

----- Manual continues below -----

PARTS LIST

for

KitchenAid®

2-SLICE TOASTER

2 EXTRA-WIDE SLOTS

MODELS:

KTT340WH0 (White)
KTT340BU0 (Cobalt Blue)
KTT340OB0 (Onyx Black)
KTT340ER0 (Empire Red)
KTT340PK0 (Pink)
KTT340TG0 (Tangerine)
4KTT340WH0 (White)
4KTT340OB0 (Onyx Black)



**FOR CUSTOMER SATISFACTION ALWAYS USE
FACTORY SPECIFICATION PARTS**



KITCHENAID

3-06 Litho in U.S.A. (skr)

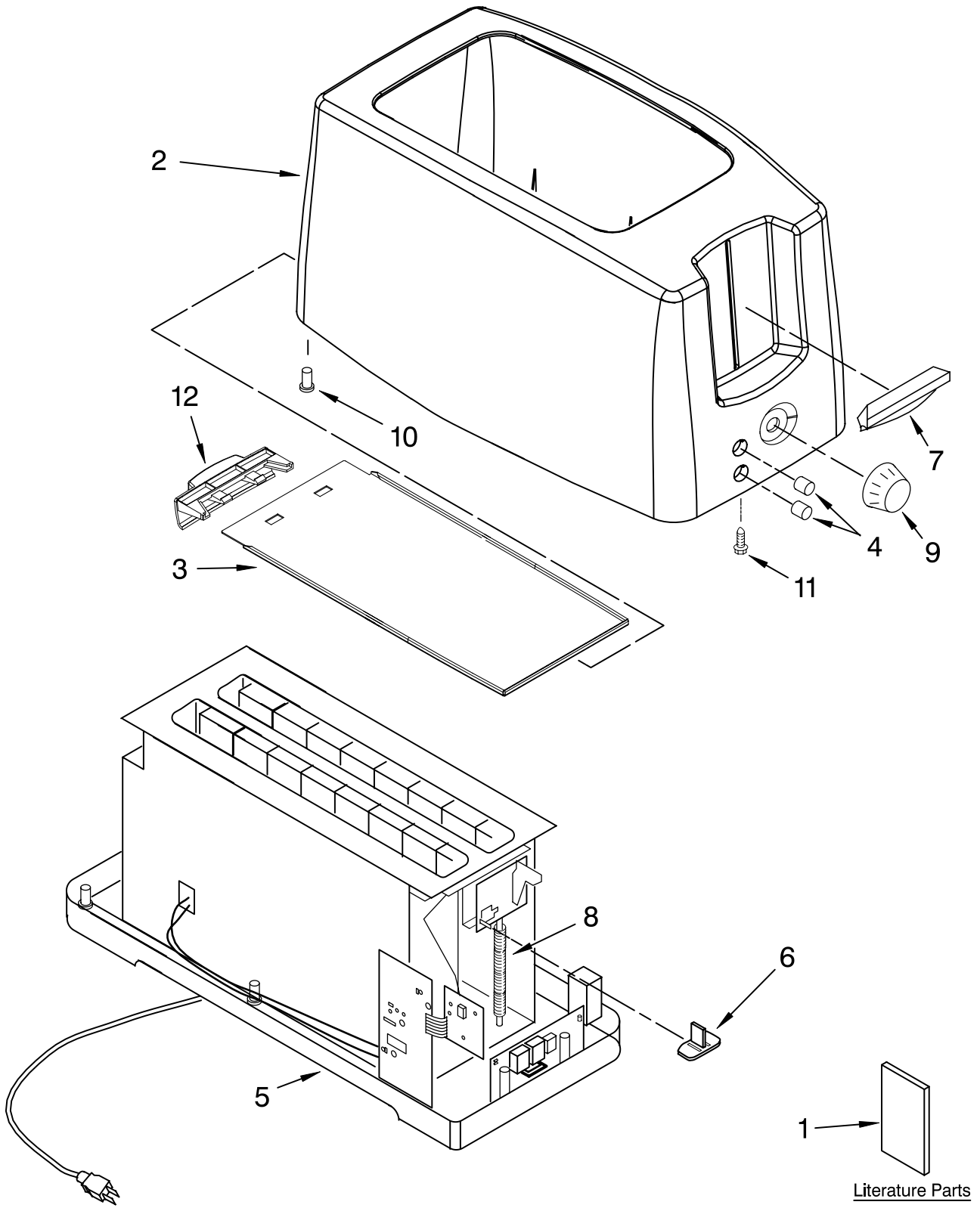
© 2006 KITCHENAID

ST. JOSEPH MICHIGAN 49085

Part No. 8211951 Rev. A

HOUSING PARTS

For Models: KTT340__0, 4KTT340__0



FOR ORDERING INFORMATION REFER TO PARTS PRICE LIST

HOUSING PARTS

For Models: KTT340__0, 4KTT340__0

| Illus. No. | Part No. | DESCRIPTION |
|---------------|-------------|---|
| 1 | | Literature Parts |
| | 8204530 | Guide, Use & Care |
| | 8211951 | Repair Parts List |
| 2 | | Housing, Upper Assembly (Includes Item 4) |
| | 8211909 | White |
| | 8211911 | Cobalt Blue |
| | 8211912 | Onyx Black |
| | 8211910 | Empire Red |
| | 8212268 | Pink |
| | 8212272 | Tangerine |
| 3 | 8211950 | Tray, Crumb |
| 4 | | Button, Function |
| | 8211948 | Top |
| | 8211949 | Bottom |
| 5 | | Base-Core Assembly (Not Serviced) |
| 6 | 4176690 | Holder, Magnet |
| 7 | | Knob, Lifter |
| | 4176791 | White |
| | 4176792 | Cobalt Blue |
| | 4176793 | Onyx Black |
| | 4176794 | Empire Red |
| | 8212269 | Pink |
| | 8212273 | Tangerine |
| 8 | 4176801 | Spring, Compression |
| 9 | | Knob, Darkness |
| | 8211940 | White |
| | 8211941 | Cobalt Blue |
| | 8211942 | Onyx Black |
| | 8211943 | Empire Red |
| | 8212271 | Pink |
| | 8212275 | Tangerine |
| 10 | 4176775 | Foot, Rubber |
| 11 | 4176800 | Screw, Housing |
| 12 | | Handle, Crumb Tray |
| | 8211944 | White |
| | 8211945 | Cobalt Blue |
| | 8211946 | Onyx Black |
| | 8211947 | Empire Red |
| | 8212270 | Pink |
| | 8212274 | Tangerine |

FOR ORDERING INFORMATION REFER TO PARTS PRICE LIST