

Owner's Manual

Serial Number:

Model Number:

EBOQ™ | Electric Grill



Valued Customer,

We appreciate that you have chosen to purchase an electric grill from Dimplex North America Limited. For years to come cherished memories will occur as you gather for good food and fun with family and friends. Thank you for allowing our product to become part of those special memories.

Martyn Champ
President

Dimplex[®]
North America Limited

Dimplex North America Limited
1367 Industrial Road • Cambridge, Ontario • N1R 7G8
800-668-6663 • 800-668-6665 • www.dimplex.com

7207990100rev00

CONTENTS

Important Instructions	Page 1
Model and Serial Number Information	Page 2
Site Selection and Installation	Page 3
Features	Page 4
Guide to your new EBQ™ Electric Grill	Page 5
Operation	Page 6
Care and Cleaning	Page 7
Accessories	Page 8
Warranty	Page 9

IMPORTANT INSTRUCTIONS

PLEASE SAVE THIS USER'S GUIDE FOR FUTURE REFERENCE

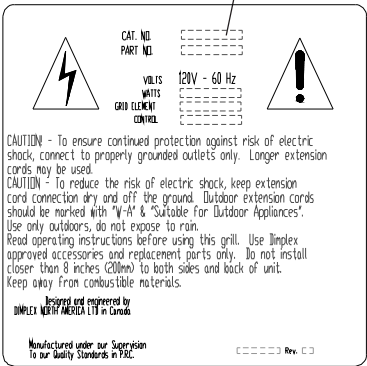
WARNING: Read all instructions and warning labels prior to use. Failure to follow these safeguards may result in serious personal injury or property loss. This appliance is intended for outdoor household, non-commercial use only.

1. Never touch hot surfaces, use handles or knobs. Use cooking tongs, gloves, or cooking mitts at all times since the grill will become very hot. Open hood carefully when cooking to avoid burns from the hot air and steam trapped inside.
2. Wear clothing that does not have hanging shirt tails, frills, or apron strings.
3. Use long-handle barbecue utensils to avoid personal injury caused by burns and splatters.
4. To protect against electric shock, never immerse cord, plugs or electric heating element in water or any other liquid.
5. Never leave the electric grill on when you are not cooking.
6. Unplug the electric grill from outlet when not in use or before cleaning. Allow grill to cool before cleaning or adding or removing parts. Do not clean this product with high pressure hoses.
7. Never operate any appliance with damaged electrical components or after the appliance has malfunctioned. Inspect regularly supply cord and connections. If cord, element or control is damaged or worn, it must be replaced by an authorized service facility as special tools are required. Do not attempt to repair the appliance yourself. Contact your authorized service agent for installation of electrical replacement kit.
8. The use of non Dimplex North America accessory attachments is not recommended and may cause damage to the unit or injury.
9. Never let cord touch hot surfaces.
10. To avoid personal injury, close hood before moving.
11. Never move a hot grill or leave it unattended.
12. Never move an electric grill unless it is unplugged.
13. Never use an electric grill in the rain, sleet or snow.
14. Never use an electric grill near combustible or flammable materials.
15. Turn the power off on the electric grill before unplugging.
16. The use of longer detachable power supply cords or extension cords is not recommended. Extension cords may overheat and cause a risk of fire. If you must use an extension cord, it must be intended for outdoor use have a rating of no less than 1875 watts. Outdoor extension cords are marked with the suffix letters "W-A" and have a tag stating "Suitable for Use with Outdoor Appliances".
17. Store the electric grill out of reach of children.
18. Never allow other persons to be near the electric grill while in use.
19. Warning! Do not use charcoal, or any other combustible material in an electric grill.
20. Do not use this electric grill or it's accessories for anything other than intended use.
21. Always check that food is fully cooked before consumption.
22. Do not attempt to remove the cooking grid from the unit.

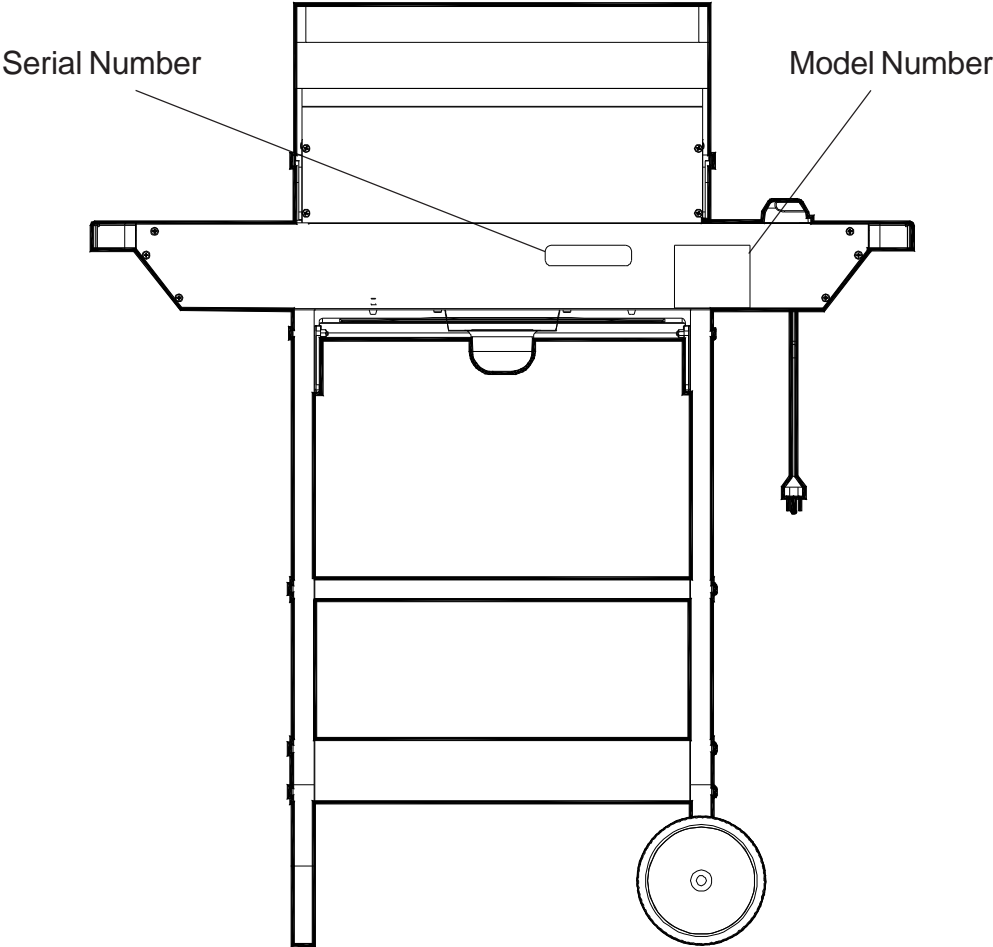
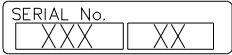
EBQ™ MODEL AND SERIAL NUMBER INFORMATION

If you have any questions regarding our products please have the product model and serial numbers available upon calling Dimplex customer service at 1-888-DIMPLEX (1-888-346-7539). To locate the model and serial number labels see below. Record the model number, serial number, on the front cover of this manual for future reference.

Model Number



Serial Number



Back of the unit

EBQ™ SITE SELECTION AND INSTALLATION

NOTE

The installation of the electric grill unit must comply with the applicable local and/or national building and fire codes.

A Ground Fault Interrupt (GFI) outdoor outlet or a circuit protected by a ground fault breaker with a rating of 15 amps, 120 volts is strongly recommended.

A dedicated circuit is preferred but not essential in all cases. A dedicated circuit will be required if, after installation, the circuit breaker trips or the fuse blows on a regular basis when the electric grill is operating. Additional appliances on the same circuit may exceed the current rating of the circuit breaker.

WARNING

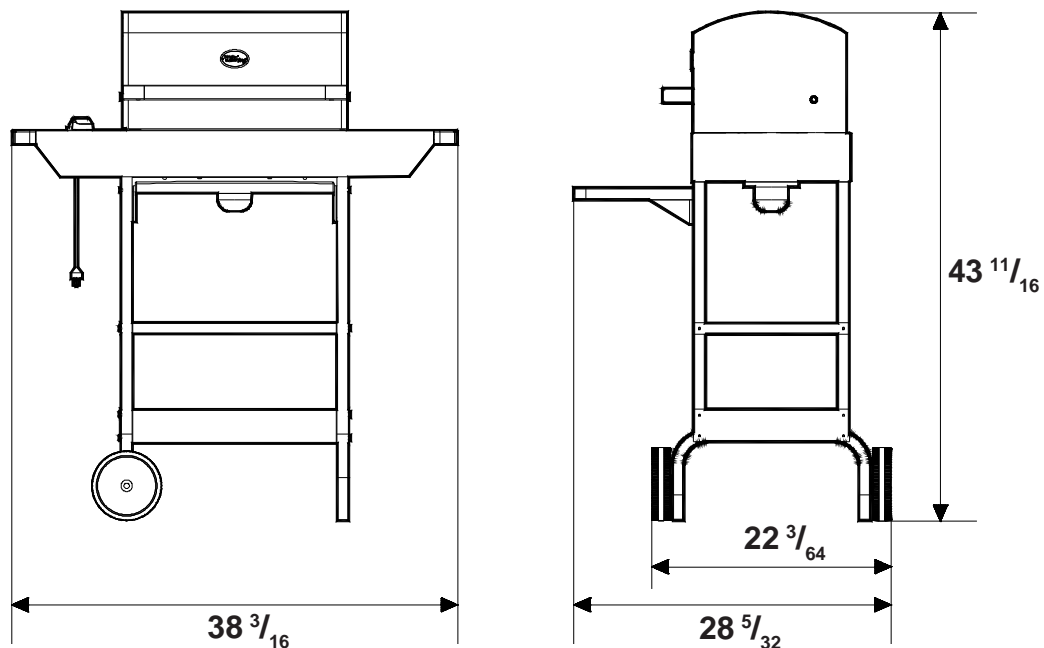
Ensure the power cord is not pinched or against a sharp edge. Ensure that the power cord is stored or secured to avoid tripping or snagging to reduce the risk of fire, electric shock or injury to persons.

Construction and electrical outlet wiring must comply with local building codes and other applicable regulations to reduce the risk of fire, electric shock and injury to persons.

Do not attempt to wire your own new outlets or circuits. To reduce the risk of fire, electric shock or injury to persons, always use a licensed electrician.

INSTALLATION

1. Select a suitable location away from puddles, pools, ponds, and hot tubs.
2. Ensure the electric grill is positioned more than 8" away from any combustible material or surfaces before cooking.
3. Ensure that there are no flammable or other volatile materials in the direct area before grilling.
4. For ease of electrical hook up you may wish to locate the fireplace near an existing outlet. (refer to NOTE).
5. Cover to protect your electric grill after use and for storage. Allow the grill to cool before installing the cover.



EBQ™ FEATURES

Welcome and Thank You for purchasing a Dimplex EBQ™ Electric Grill.

This introduction highlights the features of the EBQ™. Operating instructions are contained later on in this brochure.

EvenSear™ Cooking System

At the heart of your EBQ™ grill is the Even Sear™ Cooking System. The dual layer grill system functions in two ways. The top grill sears your food, with direct contact, and at the same time your food is cooked gently and evenly by additional heat radiating through the lower level element. The Even Sear™ system ensures that all energy supplied to the grill is directly used to cook your food. Energy that would otherwise be wasted heating the cabinetry or air surrounding the food is focused on cooking your food to perfection. The Even Sear™ Cooking System applies energy through both grill layers and flows evenly and consistently throughout the entire grill area, eliminating “hot spots” or “cool spots”.

No unwanted fumes. Safe and Fast.

The EBQ™ electric grill utilizes your standard household electric current and provides a closely controlled source of heat to your food. No gas or other fuel fumes will impart unwanted tastes or odor to your food. The EBQ™ system is safe, with no open flame or combustion, provides fast efficient heat up, and no refueling is ever necessary!

Easy to Clean

With its stainless steel upper grill, the Even Sear™ Cooking System is easy to keep clean. No taste or odor is ever transferred to the food through this high quality grill.

100% Use of Grill

Because there are no variations in temperature or performance, the Even Sear™ Cooking System provides 100% use of its grill area. The full 216 sq. in. grill maintains a consistent even temperature, even in the corners!

Lid Down Cooking

To conserve energy and reduce cooking time, we recommend that the EBQ™ be used with the lid down during cooking. A typical thermometer featured in many other grills, which reads only the air temperature, inside the cabinetry is unnecessary on the EBQ™.

Versatile

With no open flame, no combustion and no need to refuel the EBQ™ can be used safely in many areas that other grills cannot.

OPERATING GUIDE TO YOUR EBQ™ ELECTRIC GRILL

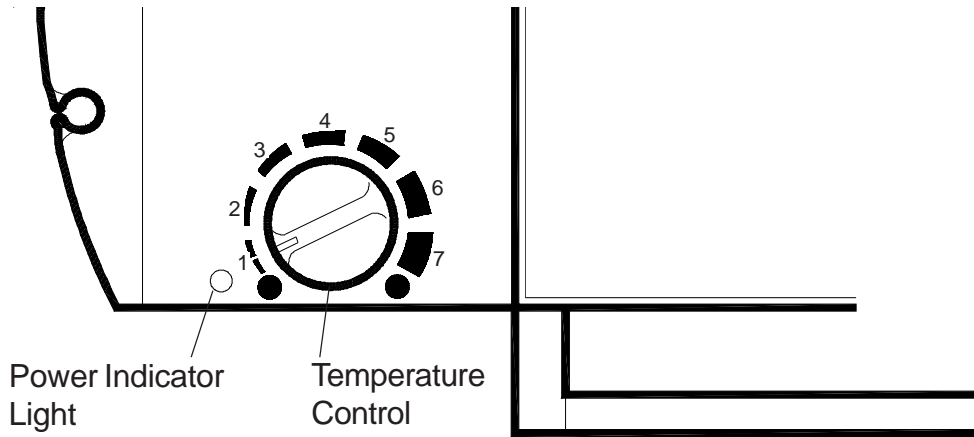
Electrical Requirements

Plug your EBQ™ electric grill into a Ground Fault Interrupt (GFI) outdoor outlet or a circuit protected by a ground fault breaker with a rating of 15 amps, 120 volts.

A dedicated circuit is preferred but not essential in all cases. A dedicated circuit will be required if, after installation, the circuit breaker trips or the fuse blows on a regular basis when the electric grill is operating. Additional appliances on the same circuit may exceed the current rating of the circuit breaker.

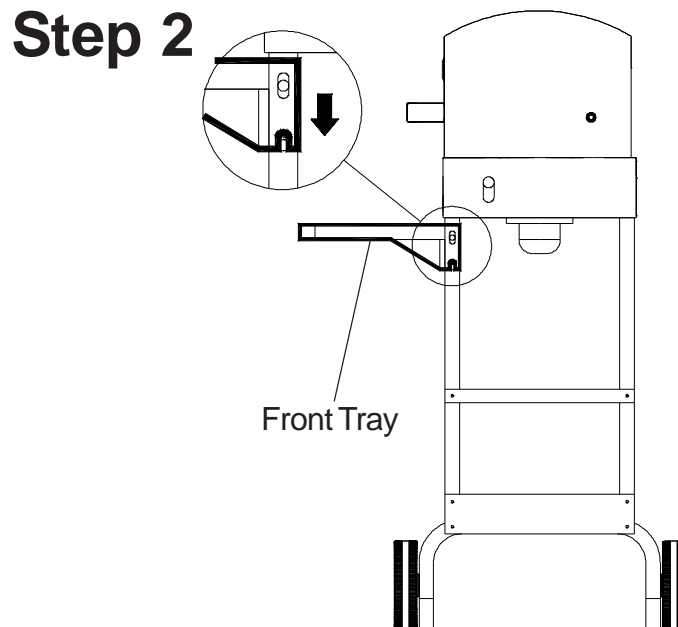
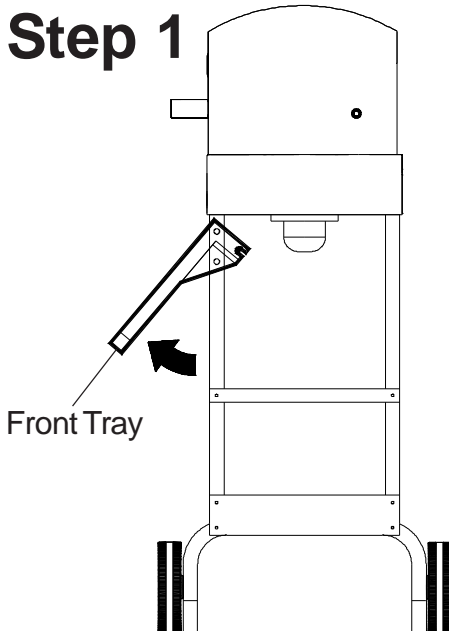
Temperature Control

To turn the EBQ™ electric grill on and to adjust the temperature to your individual requirements, turn the temperature control knob clockwise until the desired cooking temperature is reached. To turn the EBQ™ off turn the temperature control knob fully counter clock wise until the power indicator light is off.



Front Tray

Lift the tray upwards as shown until it reaches it's highest point. Position the tray level and push down until it locks into place. To lower the tray, lift up and rotate down.



EBQ™ CARE AND CLEANING

To keep your electric grill operating at its best possible performance Dimplex recommends that you clean the cooking grid and rotisserie after each use.

Unplug the electric grill from outlet when not in use or before cleaning.

Allow the grill to cool before cleaning. Do not clean this product with high pressure water spray.

Do not use abrasive powders or cleaning pads on any surface of the electric grill.

Allow electric grill to cool before covering.

Cover the electric grill when not in use.

Storage

For seasonal storage, cover and store in a dry location away from the elements.

Drip Tray

The drip tray is located under the cooking grid and is permanently mounted.

The drip tray can be lined with aluminum foil and/or we recommend the use of a non-stick cooking spray to make clean-up easier.

To clean:

Open the hood and locate the cooking grid.

The cooking grid may be lifted from the front to gain access to the drip tray.

Use a damp, soft cloth or sponge with a mild detergent. Follow with a clean damp cloth or paper towel to remove any remaining detergent residue.

Relocate the cooking grid into position in the body of the electric grill before use.

Grease Cup

The grease cup is secured to the bottom of the electric grill.

To clean:

Reach under the electric grill and locate the grease cup, turn to release.

Drain the grease cup and wipe any residue with a cloth or paper towel.

Re-install the grease cup before use.

Cooking Grid

The cooking grid is permanently mounted into the body of the electric grill,

DO NOT ATTEMPT TO REMOVE.

To clean:

Clean cooking surface with a damp, soft cloth or sponge with a mild detergent. Follow with a clean damp cloth to remove any remaining detergent residue. A soft wire brush or plastic scraper may be used to remove excess deposits.

To clean under the cooking grid, tilt by lifting from the front.

Relocate the cooking grid into position in the body of the electric grill before use.

Warning: Never strike cooking grid to remove residue

Painted Panels

Clean all painted panels with a damp, soft cloth or sponge with a mild detergent. Follow with a clean damp cloth to any remaining detergent residue. Buff dry.

EBQ™ ACCESSORIES

Contact your Dimplex Electric Grill dealer for optional accessories.

Grill Cover

A durable cover to protect your electric grill after use and for storage. Allow the grill to cool before installing the cover.

ONE YEAR LIMITED WARRANTY

Products to which this limited warranty applies

This limited warranty applies to newly purchased Dimplex electric grill. This limited warranty applies only to purchases made in any province of Canada *except* for Yukon Territory, Nunavut, or Northwest Territories or in any of the 50 States of the USA (and the District of Columbia) *except* for Hawaii and Alaska. This limited warranty applies to the original purchaser of the product only and is not transferable.

Products excluded from this limited warranty

Products purchased in Yukon Territory, Nunavut, Northwest Territories, Hawaii, or Alaska are not covered by this limited warranty. Products purchased in these States, provinces, or territories are sold AS IS without warranty or condition of any kind (including, without limitation, any implied warranties or conditions of merchantability or fitness for a particular purpose) and the entire risk of as to the quality and performance of the products is with the purchaser, and in the event of a defect the purchaser assumes the entire cost of all necessary servicing or repair.

What this limited warranty covers and for how long

Products covered by this limited warranty have been tested and inspected prior to shipment and, subject to the provisions of this warranty, Dimplex warrants such products to be free from defects in material and workmanship for a period of 12 months from the date of the first purchase of such product.

The limited 12 month warranty period also applies to any implied warranties that may exist under applicable law. Some jurisdictions do not allow limitations on how long an implied warranty lasts, so the above limitation may not apply to the purchaser.

What this limited warranty does not cover

This limited warranty does not apply to products that have been repaired (except by Dimplex or its authorized service representatives) or otherwise altered. This limited warranty does further not apply to defects resulting from misuse, abuse, accident, neglect, incorrect installation, improper maintenance or handling, or operation with an incorrect power source.

What you must do to get service under this limited warranty

Defects must be brought to the attention of Dimplex Technical Service by contacting Dimplex at 1-888-DIMPLEX (1-888-346-7539), or 1367 Industrial Road, Cambridge Ontario, Canada N1R 7G8. Please have proof of purchase, catalogue/model and serial numbers available when calling. Limited warranty service requires a proof of purchase of the product.

What Dimplex will do in the event of a defect

In the event a product or part covered by this limited warranty is proven to be defective in material or workmanship during the 12 month limited warranty period you have the following rights:

- Dimplex will in its sole discretion either repair or replace such defective product or part without charge. If Dimplex is unable to repair or replace such product or part, or if repair or replacement is not commercially practicable or cannot be timely made, Dimplex may, in lieu of repair or replacement, choose to refund the purchase price for such product or part.
- Limited warranty service will be performed solely by dealers or service agents of Dimplex authorized to provide limited warranty services.
- The purchaser is responsible for removal and transportation of such product or part (and any repaired or replacement product or part) to and from the authorized dealer's or service agent's place of business.

ONE YEAR LIMITED WARRANTY

- Dimplex will not be responsible for, and the limited warranty services shall not include, any expense incurred for installation or removal of the product or part (or any replacement product or part) or any labour or transportation costs. Such costs shall be the purchaser's responsibility.

What Dimplex and its dealers and service agents are also not responsible for:

IN NO EVENT WILL DIMPLEX, OR ITS DIRECTORS, OFFICERS, OR AGENTS, BE LIABLE TO THE PURCHASER OR ANY THIRD PARTY, WHETHER IN CONTRACT, IN TORT, OR ON ANY OTHER BASIS, FOR ANY INDIRECT, SPECIAL, PUNITIVE, EXEMPLARY, CONSEQUENTIAL, OR INCIDENTAL LOSS, COST, OR DAMAGE ARISING OUT OF OR IN CONNECTION WITH THE SALE, MAINTENANCE, USE, OR INABILITY TO USE THE PRODUCT, EVEN IF DIMPLEX OR ITS DIRECTORS, OFFICERS, OR AGENTS HAVE BEEN ADVISED OF THE POSSIBILITY OF SUCH LOSSES, COSTS OR DAMAGES, OR IF SUCH LOSSES, COSTS, OR DAMAGES ARE FORESEEABLE. IN NO EVENT WILL DIMPLEX, OR ITS OFFICERS, DIRECTORS, OR AGENTS BE LIABLE FOR ANY DIRECT LOSSES, COSTS, OR DAMAGES THAT EXCEED THE PURCHASE PRICE OF THE PRODUCT.

SOME JURISDICTIONS DO NOT ALLOW THE EXCLUSION OR LIMITATION OF INCIDENTAL OR CONSEQUENTIAL DAMAGES, SO THE ABOVE LIMITATION OR EXCLUSION MAY NOT APPLY TO THE PURCHASER.

How State and Provincial law apply

This limited warranty gives you specific legal rights, and you may also have other rights which vary from jurisdiction to jurisdiction. The provisions of the United Nations Convention on Contracts for the Sale of Goods shall not apply to this limited warranty or the sale of products covered by this limited warranty.