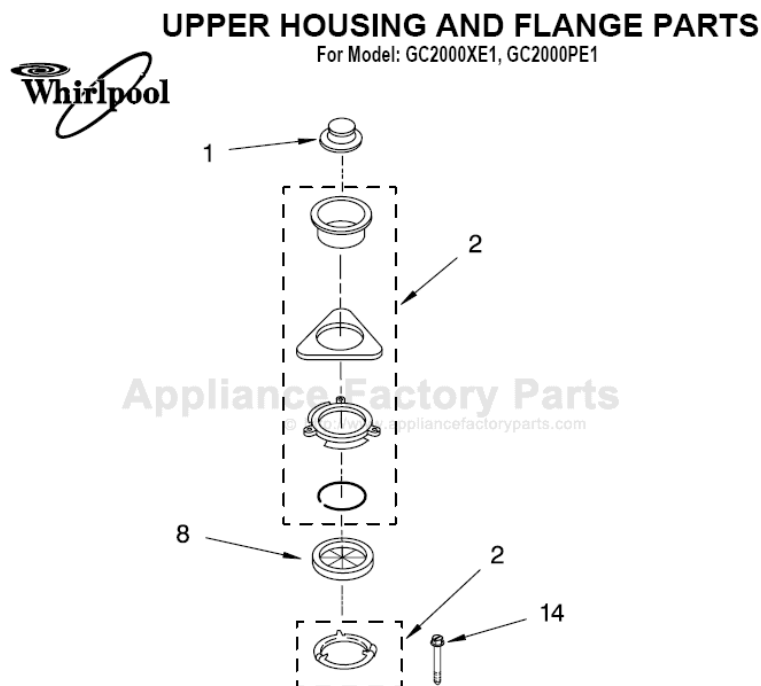


This Owner's Manual is provided and hosted by [Appliance Factory Parts](#).



WHIRLPOOL GC2000PE1 Owner's Manual

[Shop genuine replacement parts for WHIRLPOOL
GC2000PE1](#)



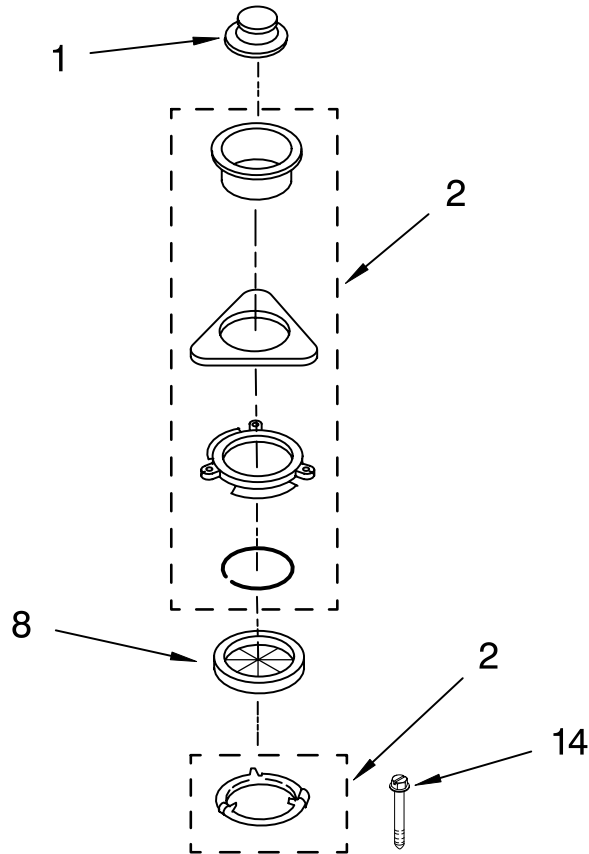
[Find Your WHIRLPOOL Disposal Parts - Select From 23 Models](#)

----- Manual continues below -----

UPPER HOUSING AND FLANGE PARTS

DISPOSER

For Model: GC2000XE1, GC2000PE1

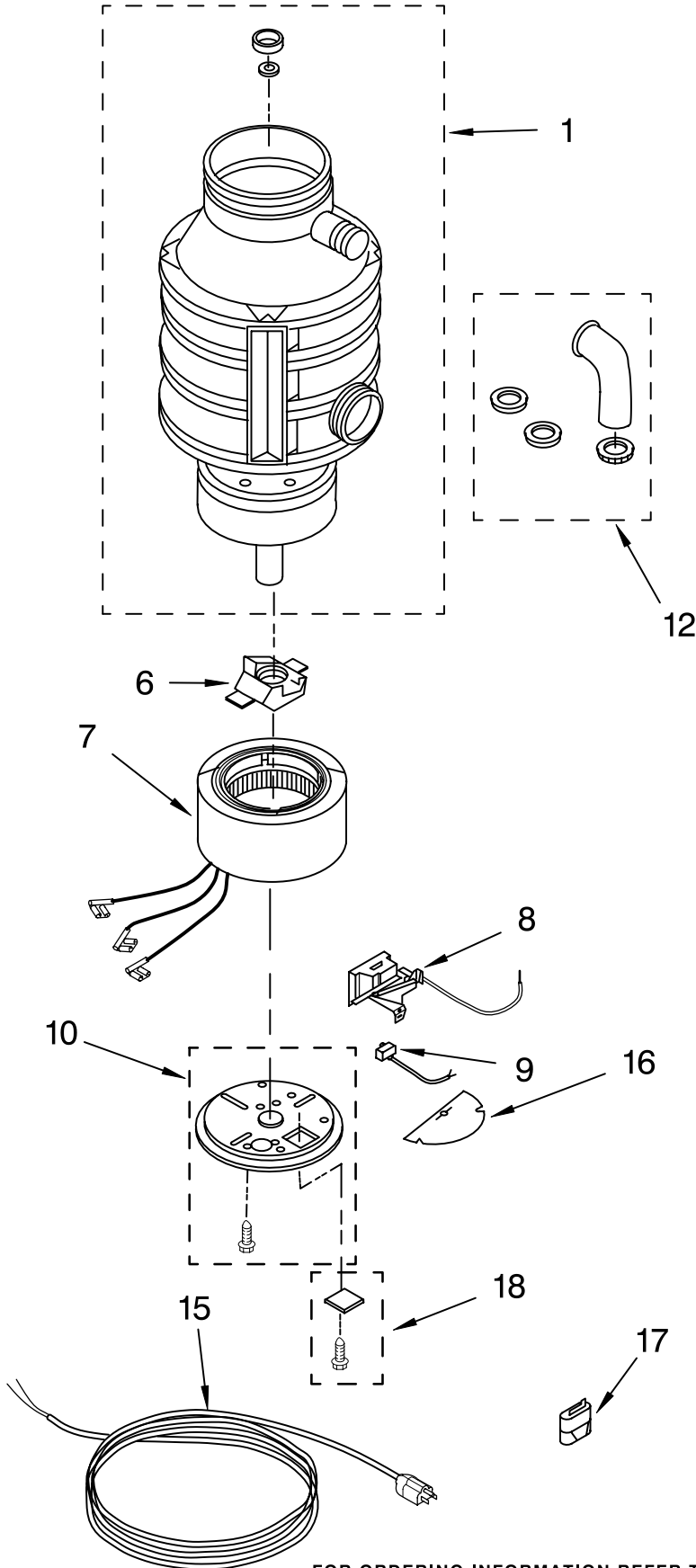


Illus. No.	Part No.	DESCRIPTION
1	4211300	Stopper Assembly
2	8174328	Mounting Assembly
8	4211615	Gasket, Mounting
14	4211645	Bolt, Thru

FOR ORDERING INFORMATION REFER TO PARTS PRICE LIST

LOWER HOUSING AND MOTOR PARTS

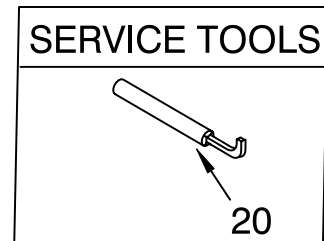
For Model: GC2000XE1, GC2000PE1



Illus. No.	Part No.	DESCRIPTION
1		Enclosure Assy, (not serviceable)
6	4211322	Actuator Assembly Centrifugal
7	8174322	Stator Assembly
8	8174312	Switch Assembly, Start
9	8174313	Protector, Overload
10	4211647	End Frame Assembly, Lower
12	8174317	Kit, Installation
15	4211472	Plug & Cord (GC2000PE1 only)
16	4211351	Shield, Wire
17	8174329	Bushing (GC2000PE1 only)
18	8174315	Cover, Terminal
20	8174310	Wrench, Emergency

Following Parts Not Illustrated

- LIT4211613 Guide, Use And Care
- LIT4211614 Instructions, Installation



FOR ORDERING INFORMATION REFER TO PARTS PRICE LIST