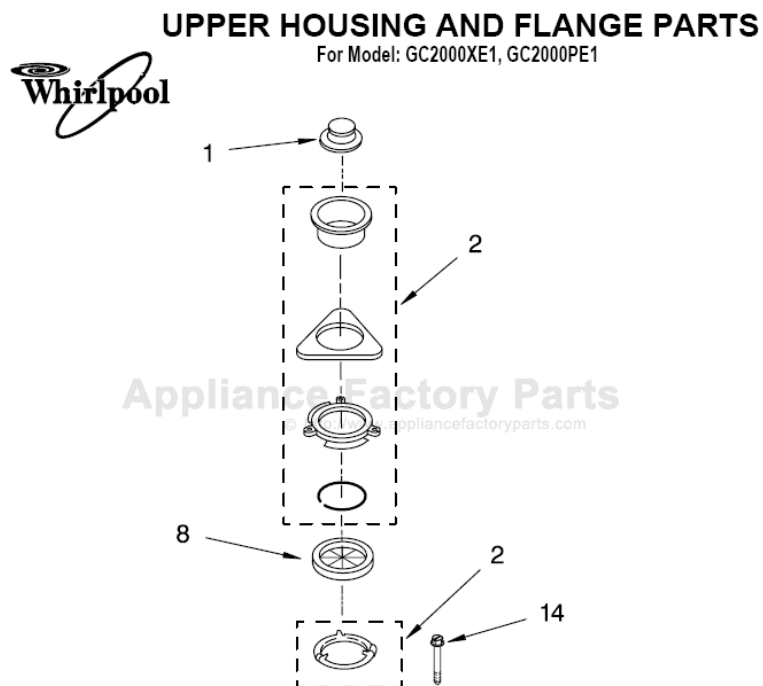


This Owner's Manual is provided and hosted by [Appliance Factory Parts](#).



WHIRLPOOL GC2000XE1 Owner's Manual

[Shop genuine replacement parts for WHIRLPOOL
GC2000XE1](#)



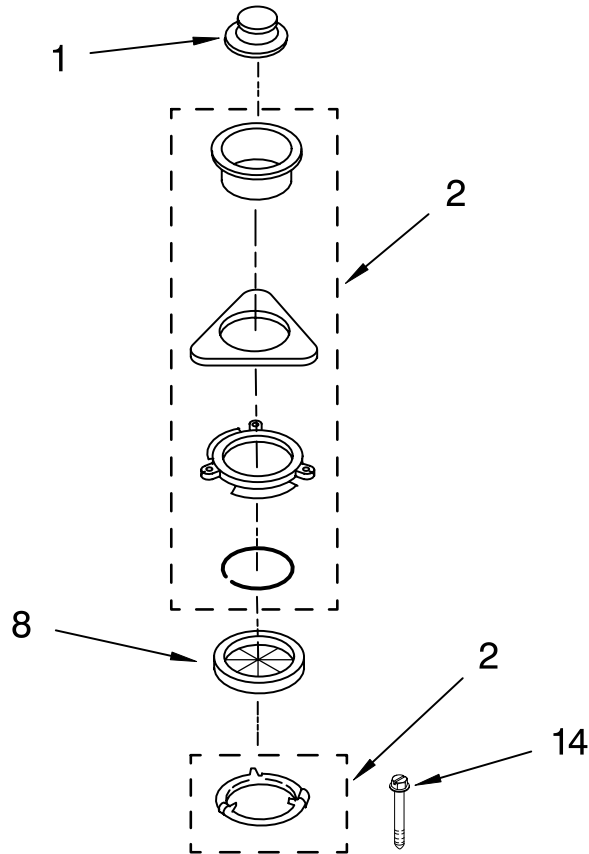
[Find Your WHIRLPOOL Disposal Parts - Select From 23 Models](#)

----- Manual continues below -----

UPPER HOUSING AND FLANGE PARTS

DISPOSER

For Model: GC2000XE1, GC2000PE1

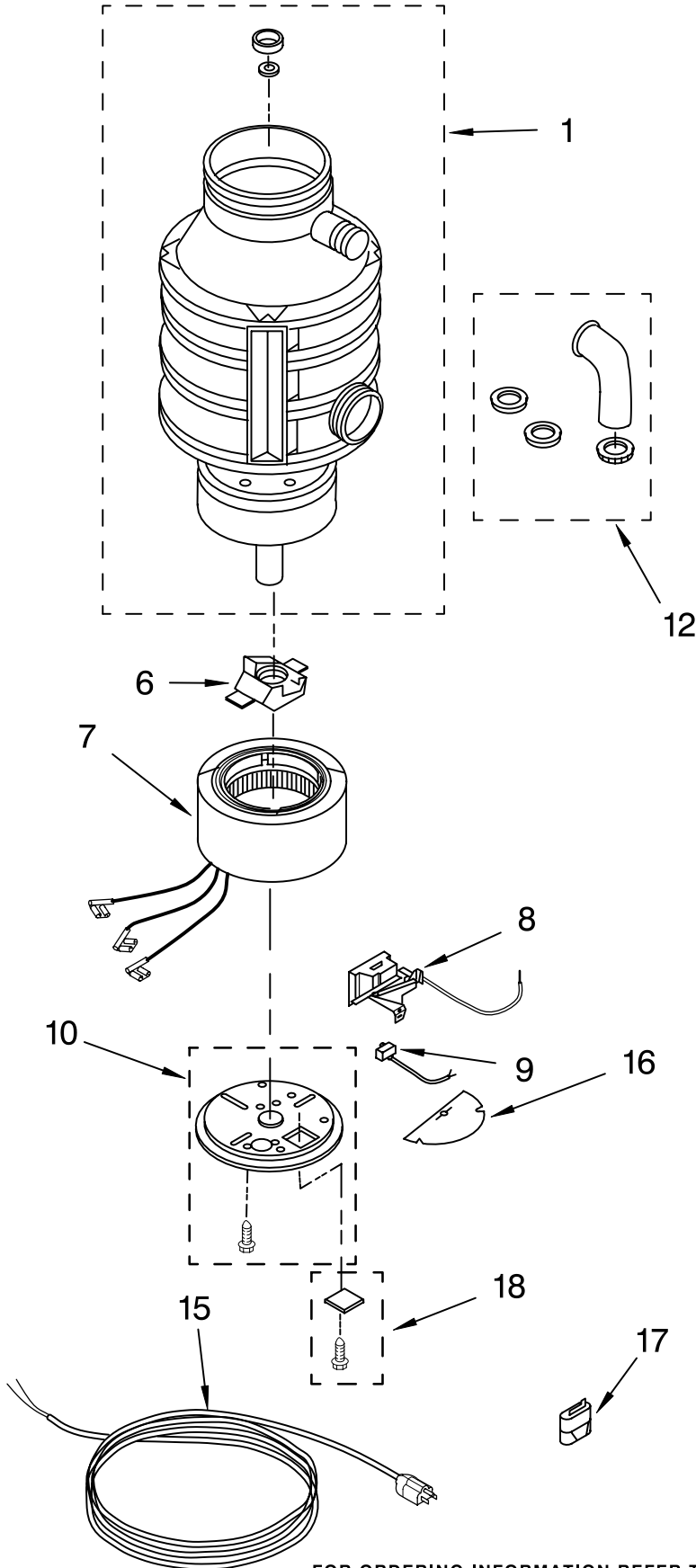


| Illus. No. | Part No. | DESCRIPTION |
|------------|----------|-------------------|
| 1 | 4211300 | Stopper Assembly |
| 2 | 8174328 | Mounting Assembly |
| 8 | 4211615 | Gasket, Mounting |
| 14 | 4211645 | Bolt, Thru |

FOR ORDERING INFORMATION REFER TO PARTS PRICE LIST

LOWER HOUSING AND MOTOR PARTS

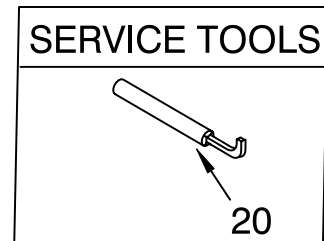
For Model: GC2000XE1, GC2000PE1



| Illus. No. | Part No. | DESCRIPTION |
|------------|----------|-----------------------------------|
| 1 | | Enclosure Assy, (not serviceable) |
| 6 | 4211322 | Actuator Assembly Centrifugal |
| 7 | 8174322 | Stator Assembly |
| 8 | 8174312 | Switch Assembly, Start |
| 9 | 8174313 | Protector, Overload |
| 10 | 4211647 | End Frame Assembly, Lower |
| 12 | 8174317 | Kit, Installation |
| 15 | 4211472 | Plug & Cord (GC2000PE1 only) |
| 16 | 4211351 | Shield, Wire |
| 17 | 8174329 | Bushing (GC2000PE1 only) |
| 18 | 8174315 | Cover, Terminal |
| 20 | 8174310 | Wrench, Emergency |

Following Parts Not Illustrated

- LIT4211613 Guide, Use And Care
- LIT4211614 Instructions, Installation



FOR ORDERING INFORMATION REFER TO PARTS PRICE LIST