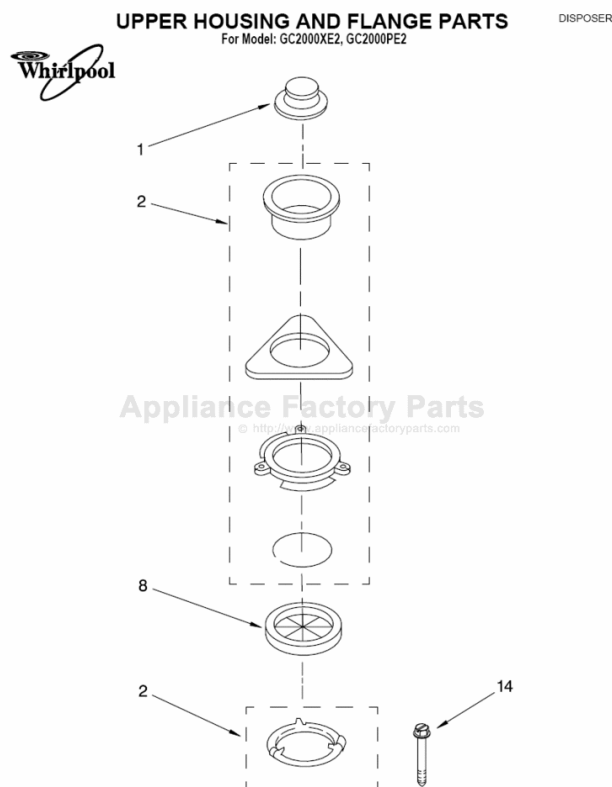


This Owner's Manual is provided and hosted by Appliance Factory Parts.



WHIRLPOOL GC2000XE2 Owner's Manual

[Shop genuine replacement parts for WHIRLPOOL
GC2000XE2](#)



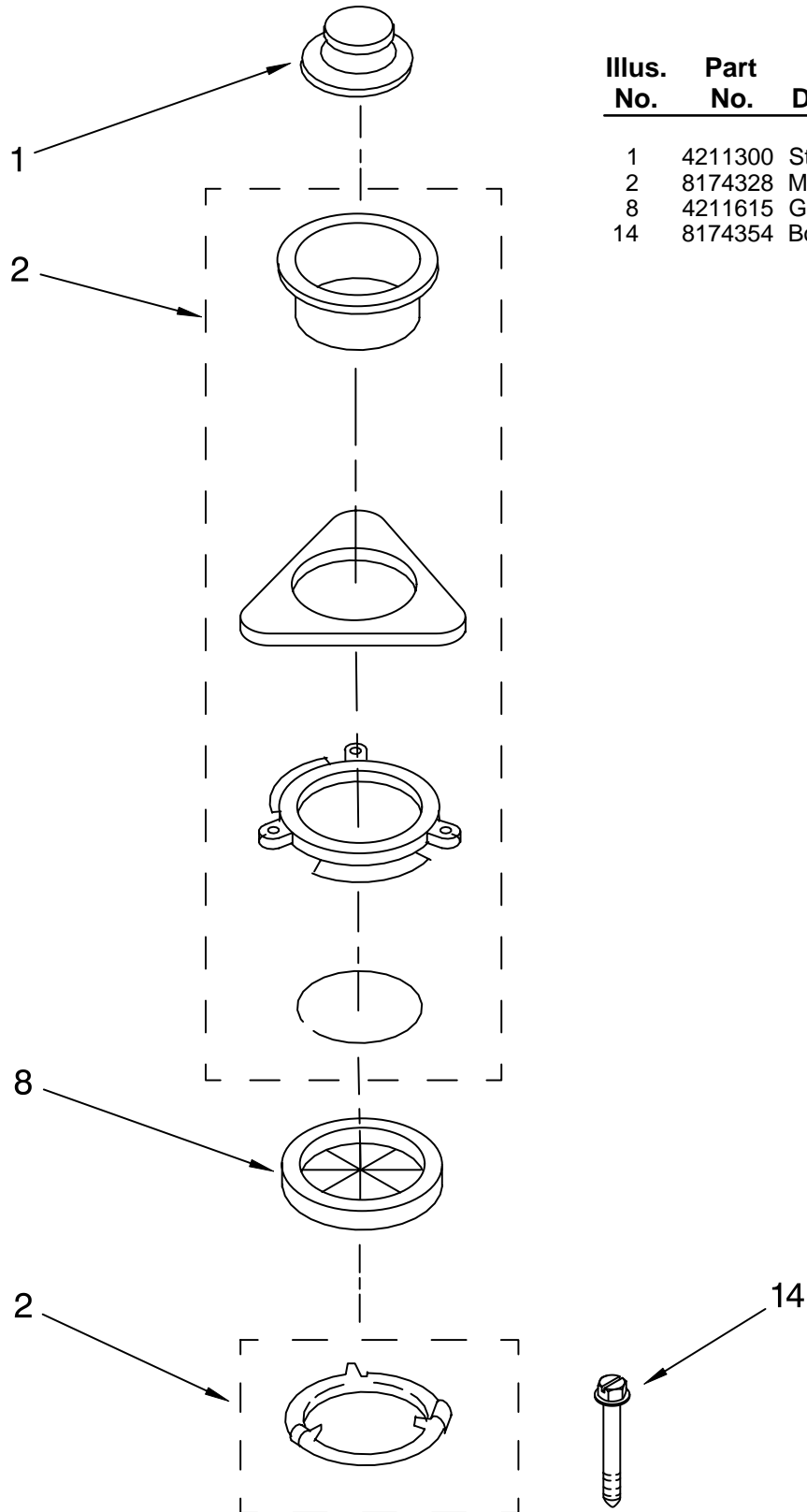
[Find Your WHIRLPOOL Disposal Parts - Select From 23 Models](#)

----- Manual continues below -----

UPPER HOUSING AND FLANGE PARTS

DISPOSER

For Model: GC2000XE2, GC2000PE2

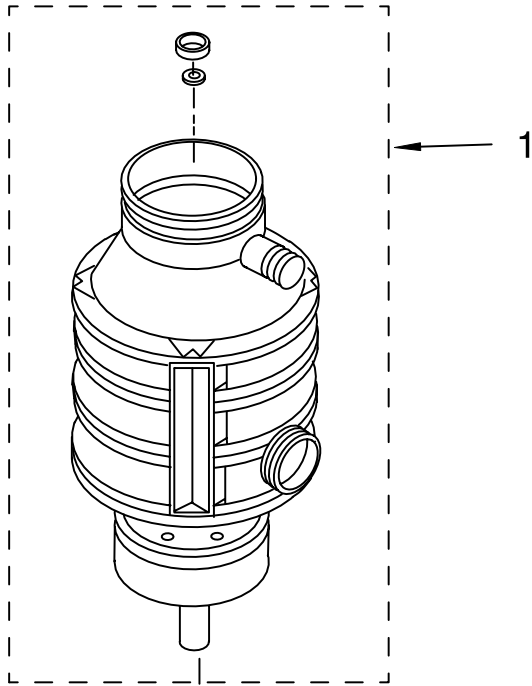


Illus. No.	Part No.	DESCRIPTION
1	4211300	Stopper Assembly
2	8174328	Mounting Assembly
8	4211615	Gasket, Mounting
14	8174354	Bolt, Thru

FOR ORDERING INFORMATION REFER TO PARTS PRICE LIST

LOWER HOUSING AND MOTOR PARTS

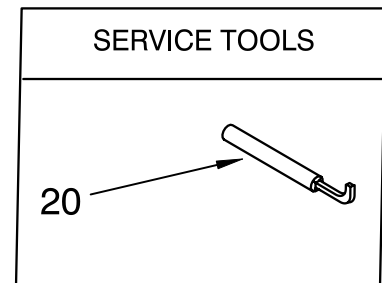
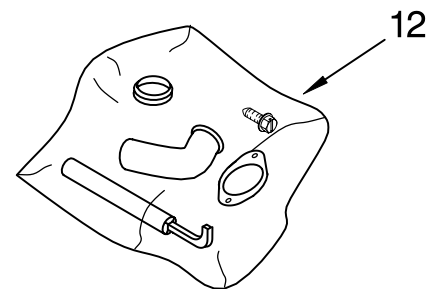
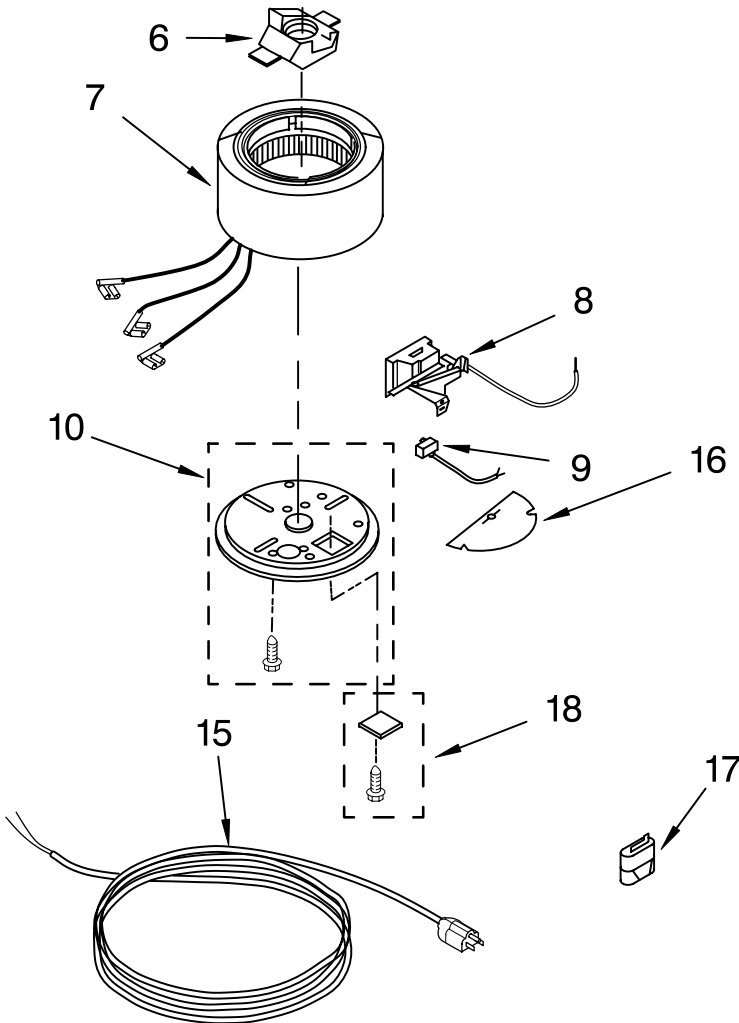
For Model: GC2000XE2, GC2000PE2



Illus. No.	Part No.	DESCRIPTION
1		Enclosure Assy, (not serviceable)
6	4211322	Actuator Assembly Centrifugal
7	8174322	Stator Assembly
8	8174312	Switch Assembly, Start
9	882726	Protector, Overload
10	8174345	End Frame Assembly, Lower
12	8174355	Kit, Installation
15	4211472	Plug & Cord (GC2000PE2 only)
16	4211351	Shield, Wire
17	8174329	Bushing (GC2000PE2 only)
18	4211351	Cover, Terminal
20	8174310	Wrench, Emergency

Following Parts Not Illustrated

8174356 Guide, Use And Care



FOR ORDERING INFORMATION REFER TO PARTS PRICE LIST