

This Owner's Manual is provided and hosted by [Appliance Factory Parts](#).



KITCHENAID BPDH2500FS0 Owner's Manual

[Shop genuine replacement parts for KITCHENAID
BPDH2500FS0](#)

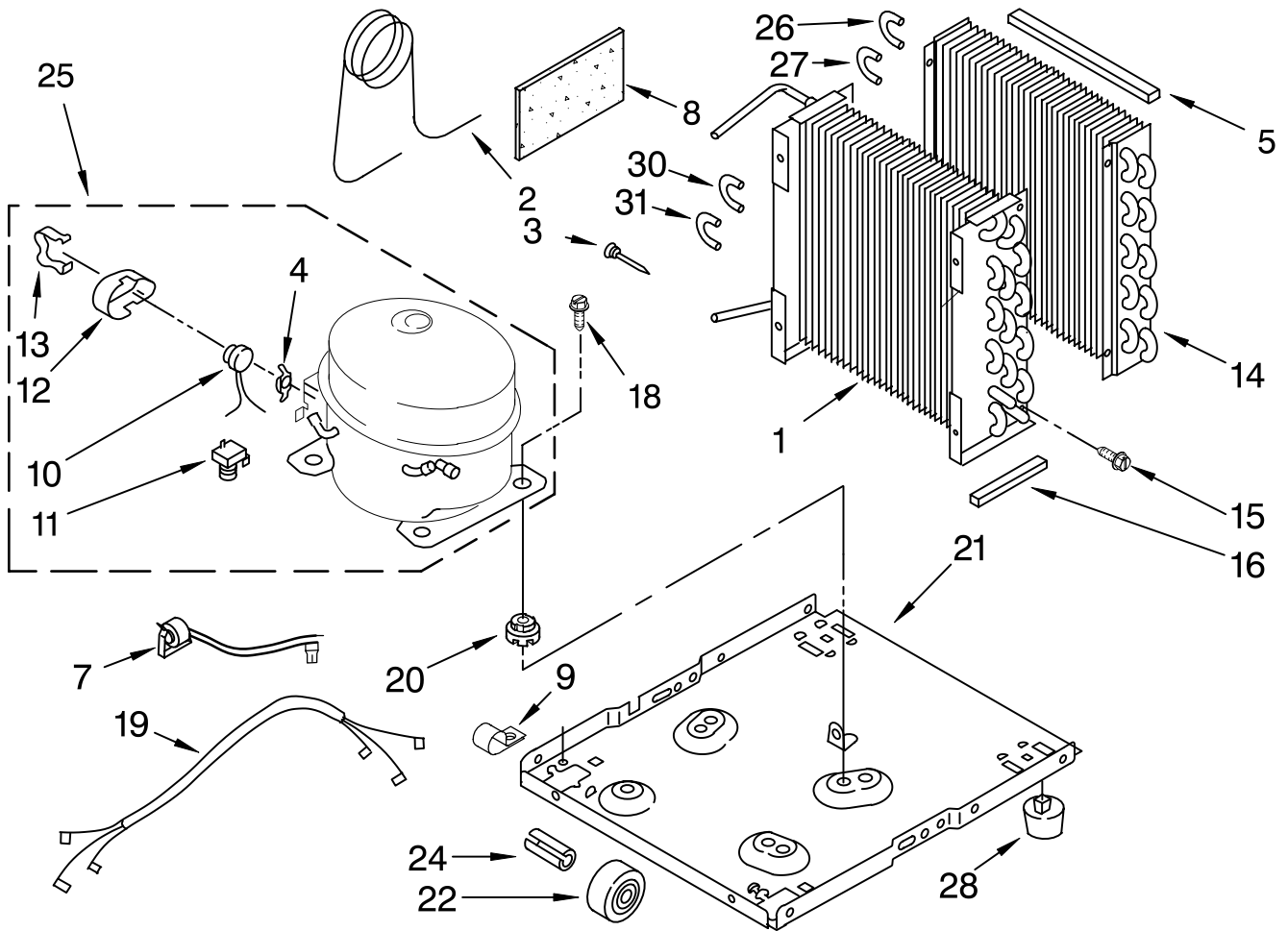
KitchenAid®

[Find Your KITCHENAID Dishwasher Parts - Select From 37 Models](#)

----- Manual continues below -----

UNIT PARTS

For Model: BPDH2500FS0



Illus. No.	Part No.	DESCRIPTION
1	1167544	Condenser
2	1168191	Tube, Restrictor
3	1162526	Strainer
4	950061	Spring Overload
5	1162348	Seal Evaporator Top
7	1166013	Deicer
8	1162650	Insulation (Restrictor Tube)
9	1180752	Relief, Strain
10	1164775	Overload, Protector
11	950058	Relay, Start

Illus. No.	Part No.	DESCRIPTION
12	950055	Cover, Terminal
13	950056	Retainer, Cover
14	1168184	Evaporator
15	488480	Screw, 8 x 1/2 (4)
16	1162372	Seal
18	1166034	Bolt, 1/4-28 x 1" (4)
19	1165265	Harness, Wire
20	1100826	Grommet (4)
21	1157584	Base
22	998726	Roller (2)
24	489015	Pin, Roller (2)

Illus. No.	Part No.	DESCRIPTION
25	1164773	Compressor, (Complete Assembly)
26	1169760	Bend, Return (1)
27	855199	Bend, Return (8)
28	951886	Glide (2)
30	708531	Bend, Return (10)
31	708532	Bend, Return (4)

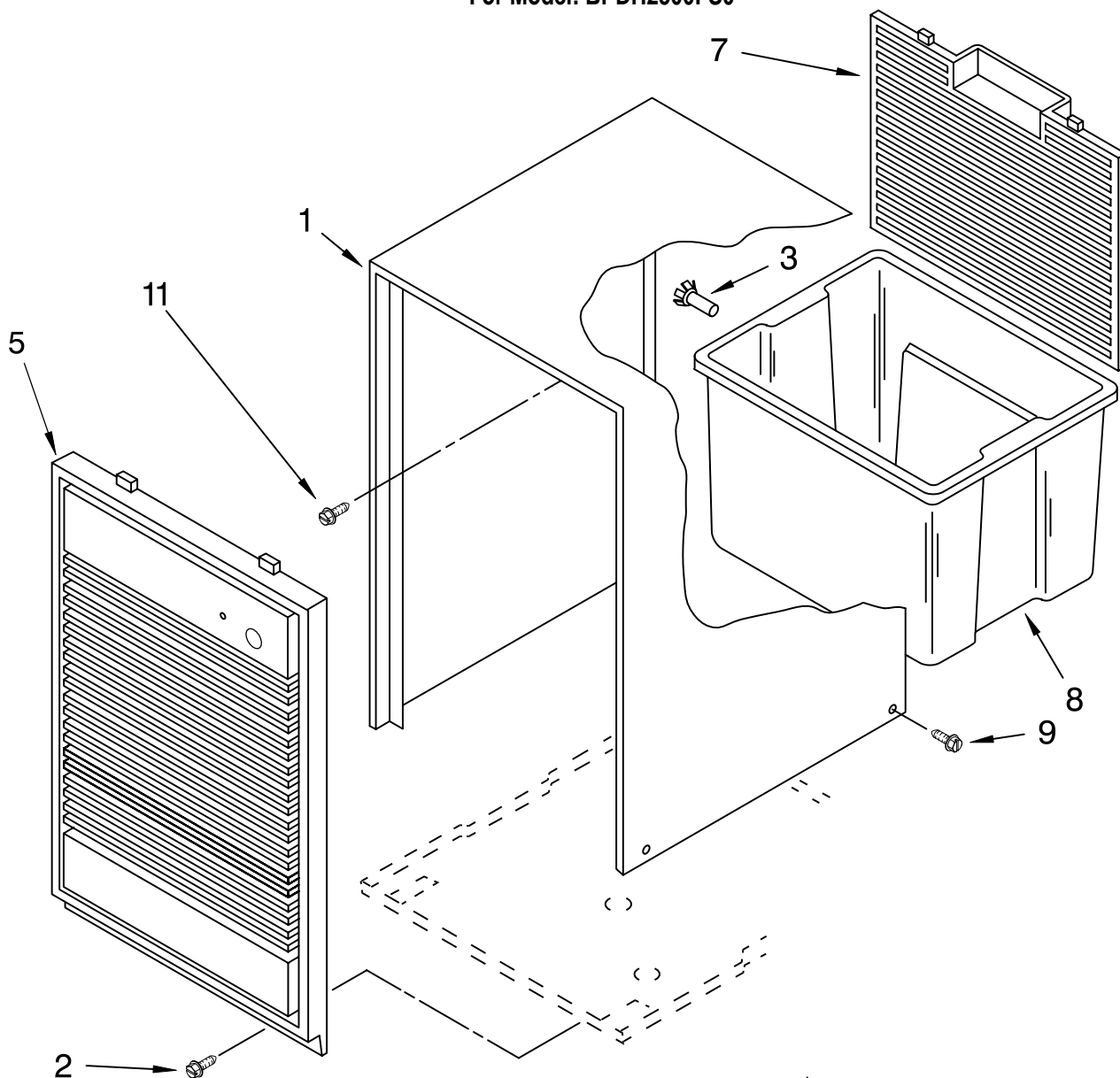
REFRIGERANT CHARGE

7.75 OZ.

FOR ORDERING INFORMATION REFER TO PARTS PRICE LIST

CABINET PARTS

For Model: BPDH2500FS0



Illus. No.	Part No.	DESCRIPTION
1	1166059	Cabinet
2	1166815	Screw (2)
3	998813	Retainer Pin (Rear Grille)
5	1168287	Grille, Front
7	1166805	Grille, Rear
8	1166060	Pan, Condensate
9	1166816	Screw (4)
11	488624	Screw, 8 x 3/8

Illus. Part No. DESCRIPTION
 Following Parts Not Illustrated and Optional Parts Not Included

646753	Cap, Condensate Pan
647338	Washer, Cap (Condensate Pan)
485426	Lacquer, Starlight Gray (1/2 Pt. Uncut)
484310	Epoxy, Tube (Aluminum Repair)
505168	Tape, No Drip Valve, Access

Illus. No.	Part No.	DESCRIPTION
	978025	1/4" Tube O.D.
	978026	5/16" Tube O.D.
	978027	3/8" Tube O.D.
	978028	1/2" Tube O.D.
	978029	5/8" Tube O.D.
	978030	3/4" Tube O.D.
	978865	Seal, Ring Access Valve (20 Pack)

LITERATURE PARTS

LIT1166032	Tech Sheet
LIT1166033	Wiring Diagram
LIT1169993	Guide, Use And Care

FOR ORDERING INFORMATION REFER TO PARTS PRICE LIST