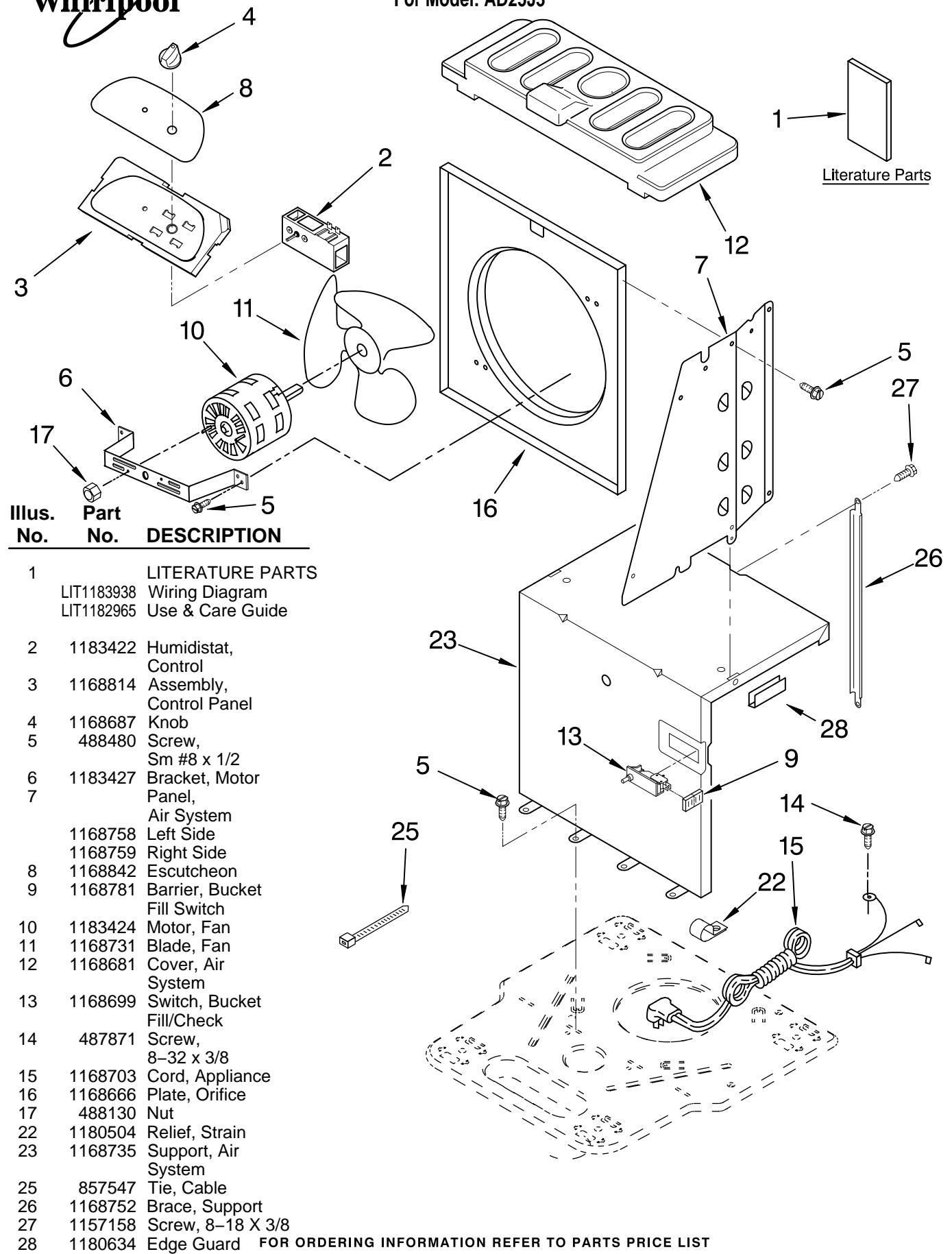




# AIR FLOW AND CONTROL PARTS

For Model: AD25J3

DEHUMIDIFIER



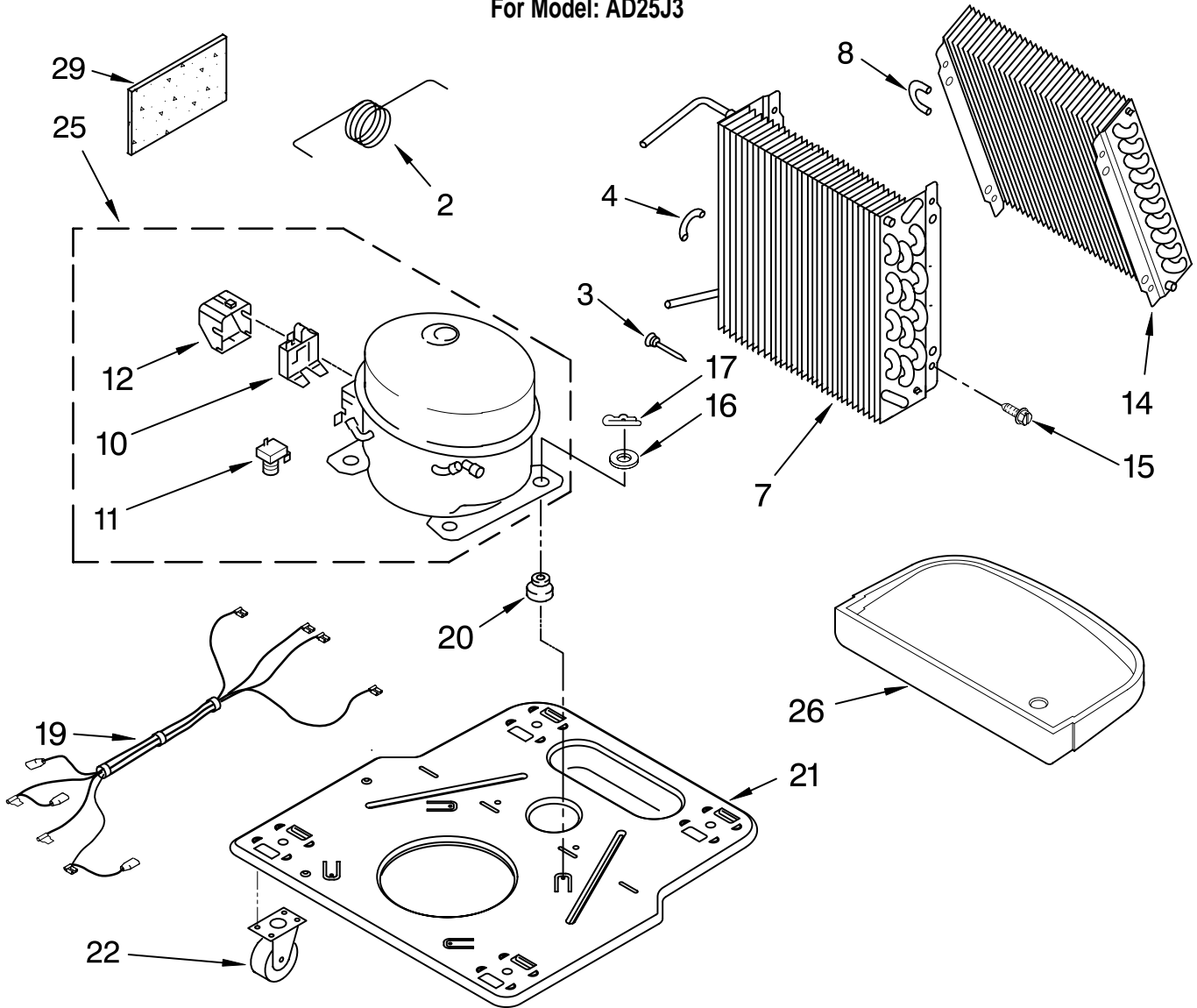
**Illus. Part No. DESCRIPTION**

1	LITERATURE PARTS
	LIT1183938 Wiring Diagram
	LIT1182965 Use & Care Guide
2	1183422 Humidistat, Control
3	1168814 Assembly, Control Panel
4	1168687 Knob
5	488480 Screw, Sm #8 x 1/2
6	1183427 Bracket, Motor Panel,
7	Air System
	1168758 Left Side
	1168759 Right Side
8	1168842 Escutcheon
9	1168781 Barrier, Bucket Fill Switch
10	1183424 Motor, Fan
11	1168731 Blade, Fan
12	1168681 Cover, Air System
13	1168699 Switch, Bucket Fill/Check
14	487871 Screw, 8-32 x 3/8
15	1168703 Cord, Appliance
16	1168666 Plate, Orifice
17	488130 Nut
22	1180504 Relief, Strain
23	1168735 Support, Air System
25	857547 Tie, Cable
26	1168752 Brace, Support
27	1157158 Screw, 8-18 X 3/8
28	1180634 Edge Guard

FOR ORDERING INFORMATION REFER TO PARTS PRICE LIST

# UNIT PARTS

For Model: AD25J3



Illus. No.	Part No.	DESCRIPTION
2	1184271	Tube, Restrictor (Length 36.00")
3	1162526	Strainer
4	708532	Bend, Return (9)
7	1168724	Condenser
8	708531	Bend, Return (4)
10	1182782	Overload, Protector
11	950058	Relay, Start
12	1182781	Cover, Terminal

Illus. No.	Part No.	DESCRIPTION
14	1183981	Evaporator
15	488480	Screw, 8 x 1/2 (4)
16	680975	Washer
17	24364001	Clip, Compressor
19	1168810	Harness, Wire
20	1168722	Grommet (4)
21	1168654	Base
22	1164241	Caster (4)

Illus. No.	Part No.	DESCRIPTION
25	1182778	Compressor, (Complete Assembly)
26	1168761	Pan, Drain
29	1184625	Insulation (Restrictor Tube)

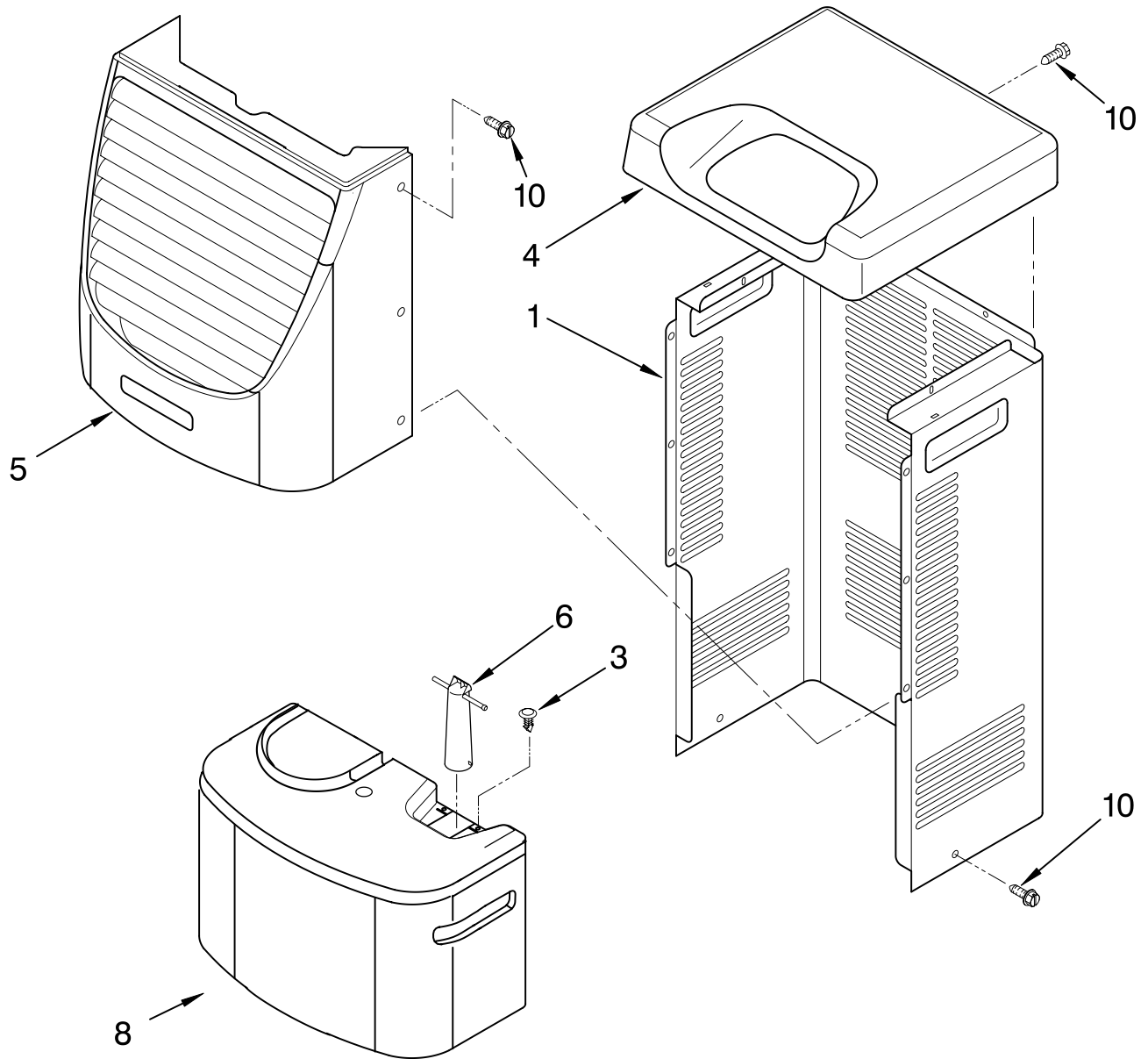
**REFRIGERANT CHARGE**

5.50 oz.

**Production Compressor Requires Production Electrical Components.  
 Service Compressor Requires Service Electrical Components.  
 For Further Information, Refer to Filmcard 19.1.**

# CABINET PARTS

For Model: AD25J3



Illus. No.	Part No.	DESCRIPTION
1	1168667	Cabinet
3	1168762	Clip, Float
4	1168652	Cover, Top
5	1182600	Cover, Front
6	1172075	Float
8	1172079	Bucket, Condensate
10	1168744	Screw

Illus. No.	Part No.	DESCRIPTION
Following Parts Not Illustrated and Optional Parts Not Included		
	484310	Epoxy, Tube (Aluminum Repair)
	505168	Tape, No Drip Valve, Access
	978025	1/4" Tube O.D.
	978026	5/16" Tube O.D.

Illus. No.	Part No.	DESCRIPTION
	978027	3/8" Tube O.D.
	978028	1/2" Tube O.D.
	978029	5/8" Tube O.D.
	978030	3/4" Tube O.D.
	978865	Seal, Ring Access Valve (20 Pack)

FOR ORDERING INFORMATION REFER TO PARTS PRICE LIST