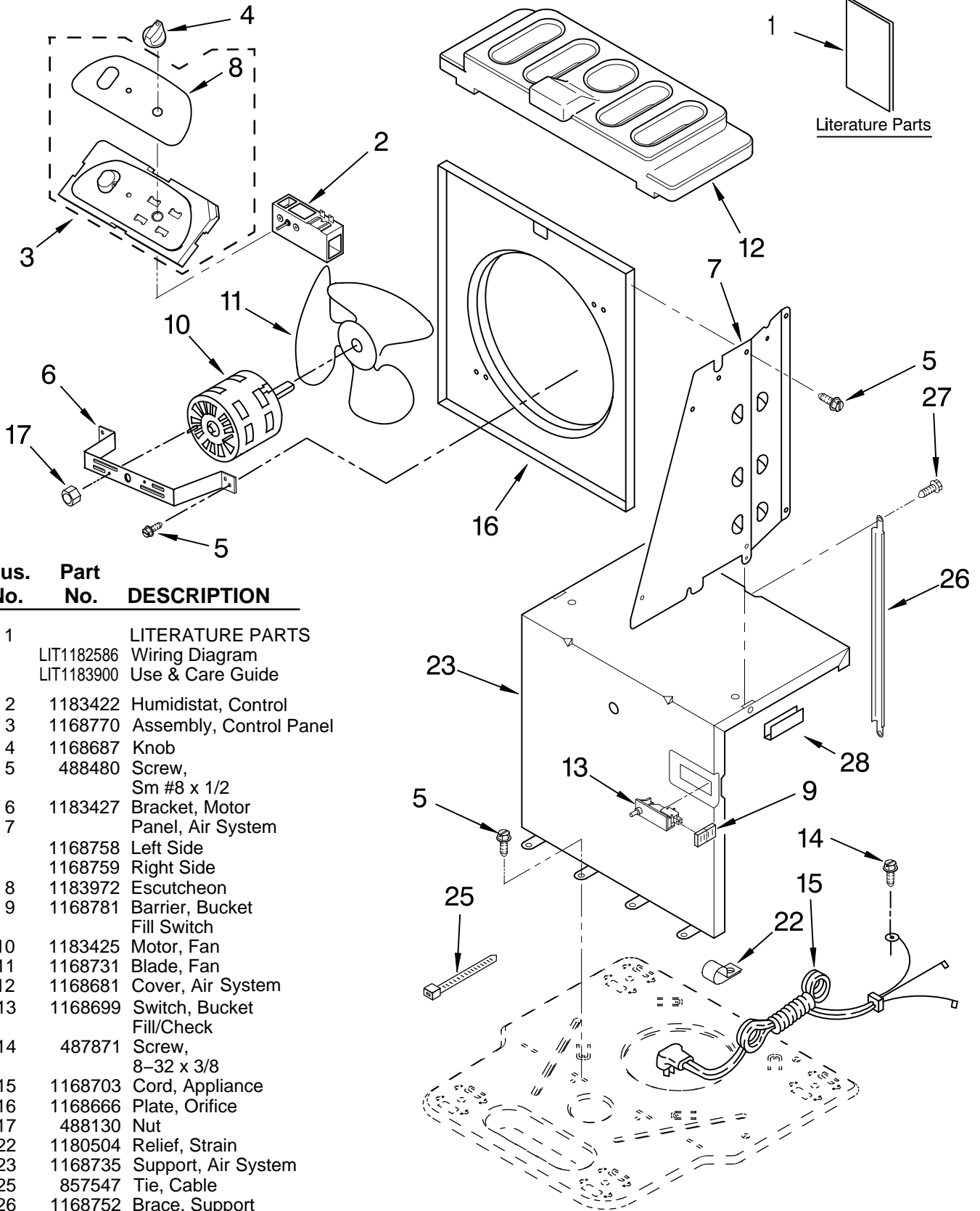




# AIR FLOW AND CONTROL PARTS

For Model: AD40LJ0

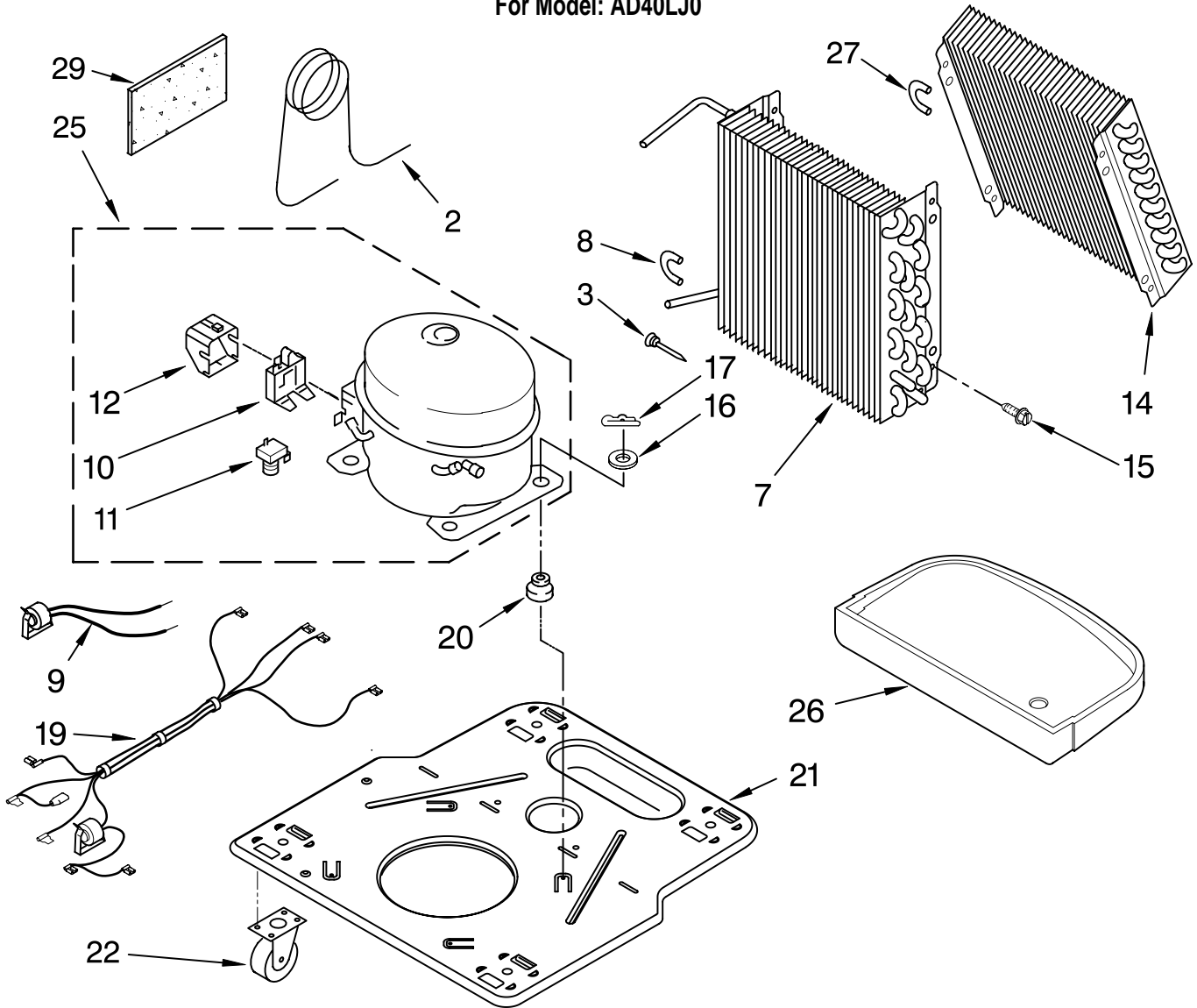
DEHUMIDIFIER



Illus. No.	Part No.	DESCRIPTION
1	LIT1182586 LIT1183900	LITERATURE PARTS Wiring Diagram Use & Care Guide
2	1183422	Humidistat, Control
3	1168770	Assembly, Control Panel
4	1168687	Knob
5	488480	Screw, Sm #8 x 1/2
6	1183427	Bracket, Motor
7	1168758 1168759	Panel, Air System Left Side Right Side
8	1183972	Escutcheon
9	1168781	Barrier, Bucket Fill Switch
10	1183425	Motor, Fan
11	1168731	Blade, Fan
12	1168681	Cover, Air System
13	1168699	Switch, Bucket Fill/Check
14	487871	Screw, 8-32 x 3/8
15	1168703	Cord, Appliance
16	1168666	Plate, Orifice
17	488130	Nut
22	1180504	Relief, Strain
23	1168735	Support, Air System
25	857547	Tie, Cable
26	1168752	Brace, Support
27	1157158	Screw, 8-18 X 3/8
28	1180634	Edge Guard

# UNIT PARTS

For Model: AD40LJ0



Illus. No.	Part No.	DESCRIPTION
2	1168728	Tube, Restrictor (Length 36.00")
3	1162526	Strainer
7	1168724	Condenser
8	708532	Bend, Return (9)
9	1183833	Deicer, Bimetal
10	1182783	Overload, Protector
11	950058	Relay, Start
12	1182781	Cover, Terminal
14	1168726	Evaporator

Illus. No.	Part No.	DESCRIPTION
15	488480	Screw, 8 x 1/2 (4)
16	680975	Washer
17	24364001	Clip, Compressor
19	1183906	Harness, Wire
20	1168722	Grommet (4)
21	1168654	Base
22	1164241	Caster (4)
25	1182779	Compressor, (Complete Assembly)
26	1168761	Pan, Drain

Illus. No.	Part No.	DESCRIPTION
27	854624	Bend, Return (9)
29	1162650	Insulation (Restrictor Tube)

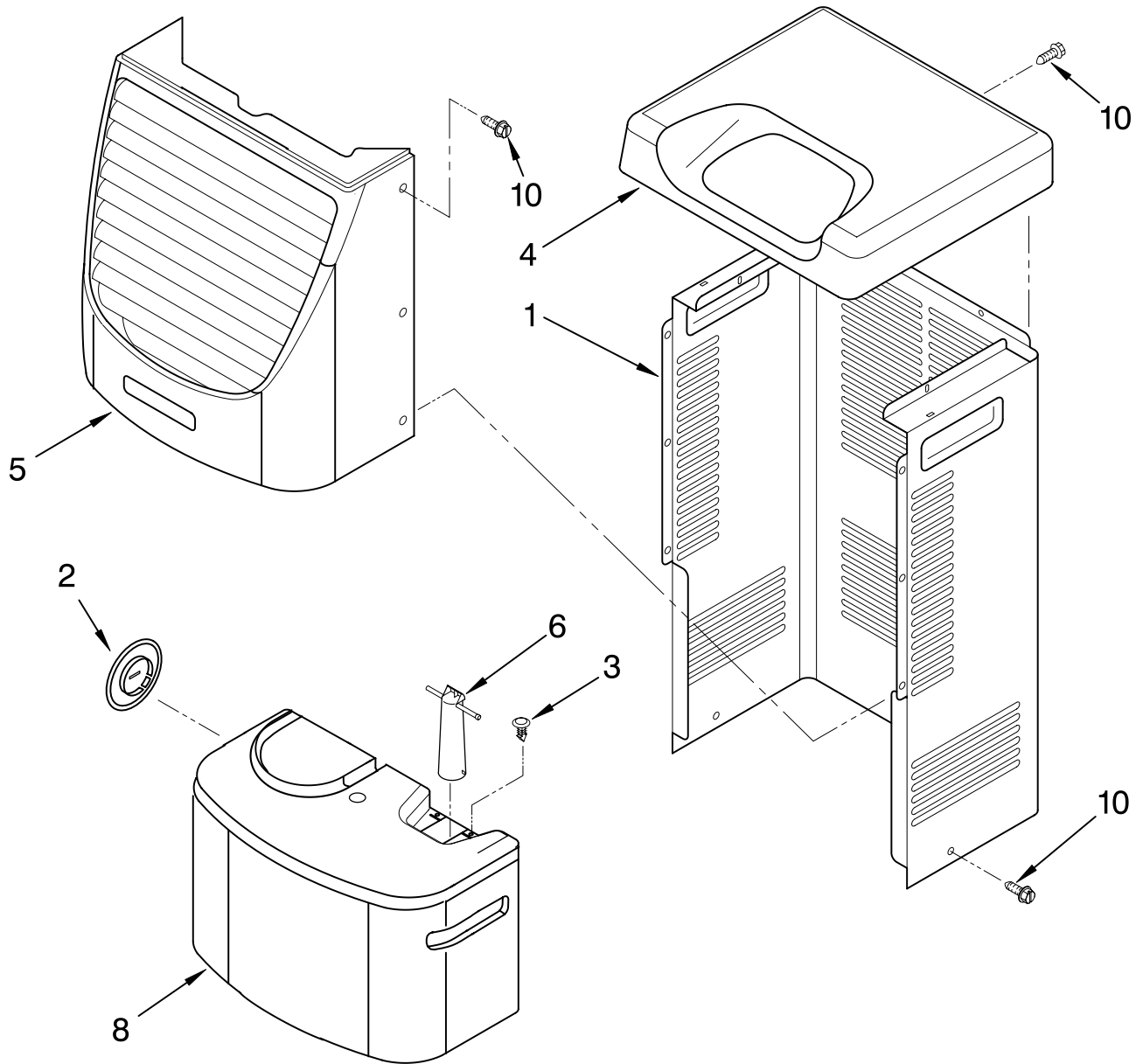
### REFRIGERANT CHARGE

8.00 OZ.

**Production Compressor Requires Production Electrical Components.  
Service Compressor Requires Service Electrical Components.  
For Further Information, Refer to Filmcard 19.1.**

# CABINET PARTS

For Model: AD40LJ0



Illus. No.	Part No.	DESCRIPTION
1	1168667	Cabinet
2	1172098	Cover, Hose Connection
3	1168762	Clip, Float
4	1168652	Cover, Top
5	1182061	Cover, Front
6	1172075	Float
8	1182080	Bucket, Condensate
10	1168744	Screw

Illus. No.	Part No.	DESCRIPTION
Following Parts Not Illustrated and Optional Parts Not Included		
	484310	Epoxy, Tube (Aluminum Repair)
	505168	Tape, No Drip Valve, Access
	978025	1/4" Tube O.D.
	978026	5/16" Tube O.D.

Illus. No.	Part No.	DESCRIPTION
	978027	3/8" Tube O.D.
	978028	1/2" Tube O.D.
	978029	5/8" Tube O.D.
	978030	3/4" Tube O.D.
	978865	Seal, Ring Access Valve (20 Pack)