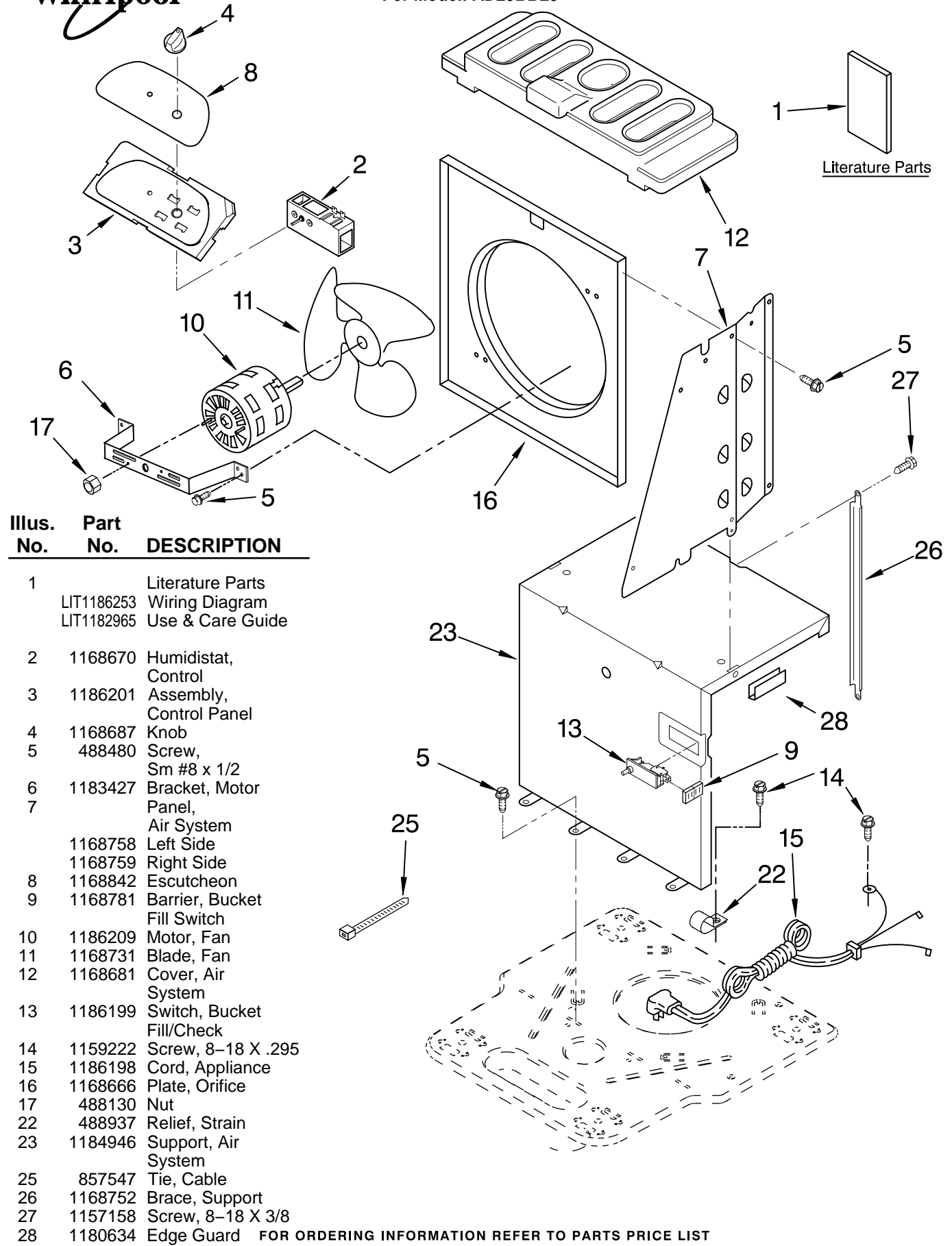




# AIR FLOW AND CONTROL PARTS

For Model: AD25BBL3

DEHUMIDIFIER

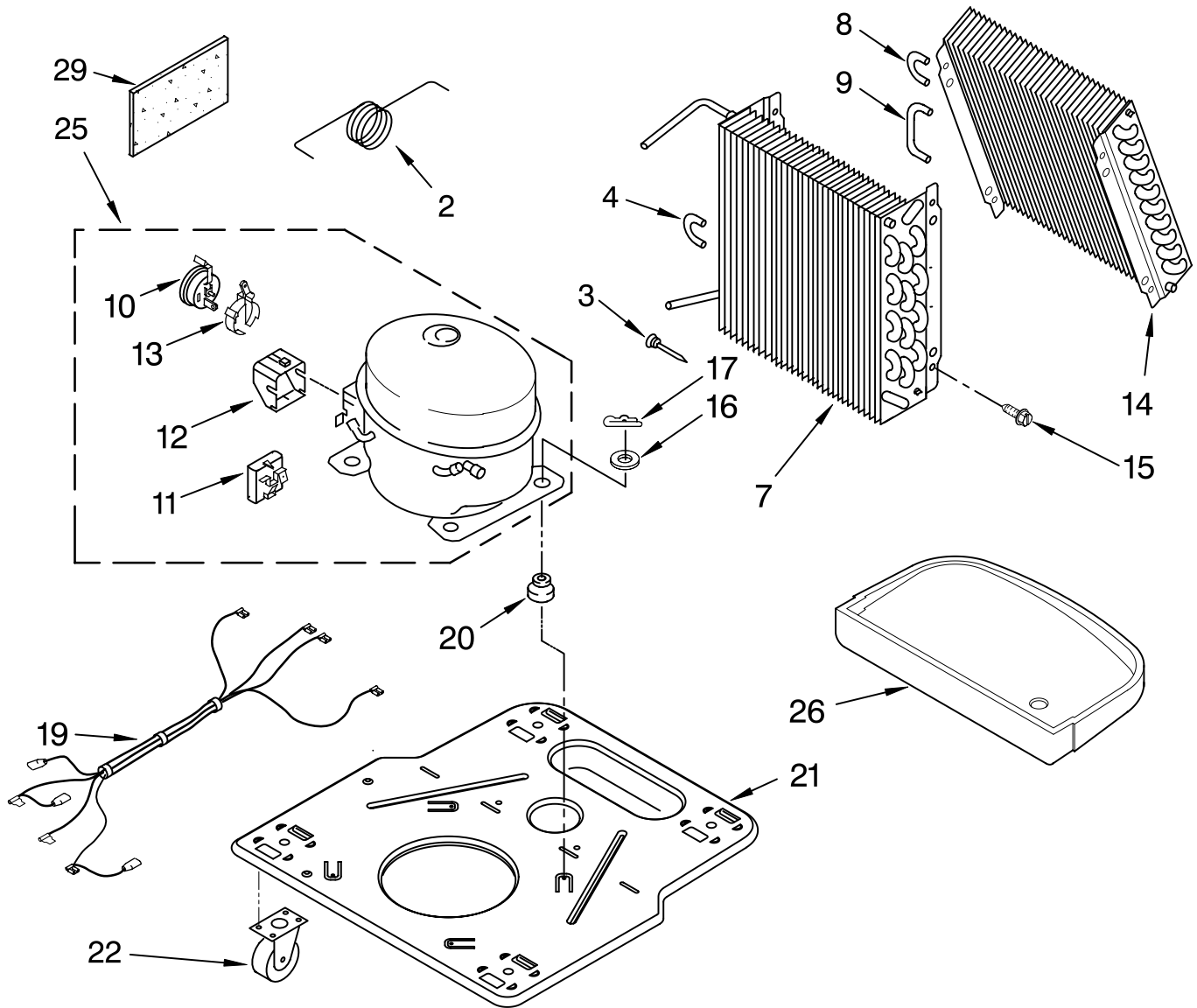


Illus. No.	Part No.	DESCRIPTION
1	LIT1186253 LIT1182965	Literature Parts Wiring Diagram Use & Care Guide
2	1168670	Humidistat, Control
3	1186201	Assembly, Control Panel
4	1168687	Knob
5	488480	Screw, Sm #8 x 1/2
6	1183427	Bracket, Motor Panel,
7	1168758 1168759	Left Side Right Side
8	1168842	Escutcheon
9	1168781	Barrier, Bucket Fill Switch
10	1186209	Motor, Fan
11	1168731	Blade, Fan
12	1168681	Cover, Air System
13	1186199	Switch, Bucket Fill/Check
14	1159222	Screw, 8-18 X .295
15	1186198	Cord, Appliance
16	1168666	Plate, Orifice
17	488130	Nut
22	488937	Relief, Strain
23	1184946	Support, Air System
25	857547	Tie, Cable
26	1168752	Brace, Support
27	1157158	Screw, 8-18 X 3/8
28	1180634	Edge Guard

FOR ORDERING INFORMATION REFER TO PARTS PRICE LIST

# UNIT PARTS

For Model: AD25BBL3



Illus. No.	Part No.	DESCRIPTION
2	1184271	Tube, Restrictor
3	1162526	Strainer
4	8031222	Bend, Return (5)
7	1184759	Condenser
8	708531	Bend, Return (2)
9	1184941	Tube, Riser
10	1184416	Overload, Protector
11	1184725	Relay, Start
12	1182781	Cover, Terminal
13	1184415	Retainer, Cover

Illus. No.	Part No.	DESCRIPTION
14	1184764	Evaporator
15	488480	Screw, 8 x 1/2 (4)
16	680975	Washer
17	24364001	Clip, Compressor
19	1186210	Harness, Wire
20	1168722	Grommet (4)
21	1168654	Base
22	1164241	Caster (4)
25	1184723	Compressor, (Complete Assembly)

Illus. No.	Part No.	DESCRIPTION
26	1168761	Pan, Drain
29	1184625	Insulation (Restrictor Tube)

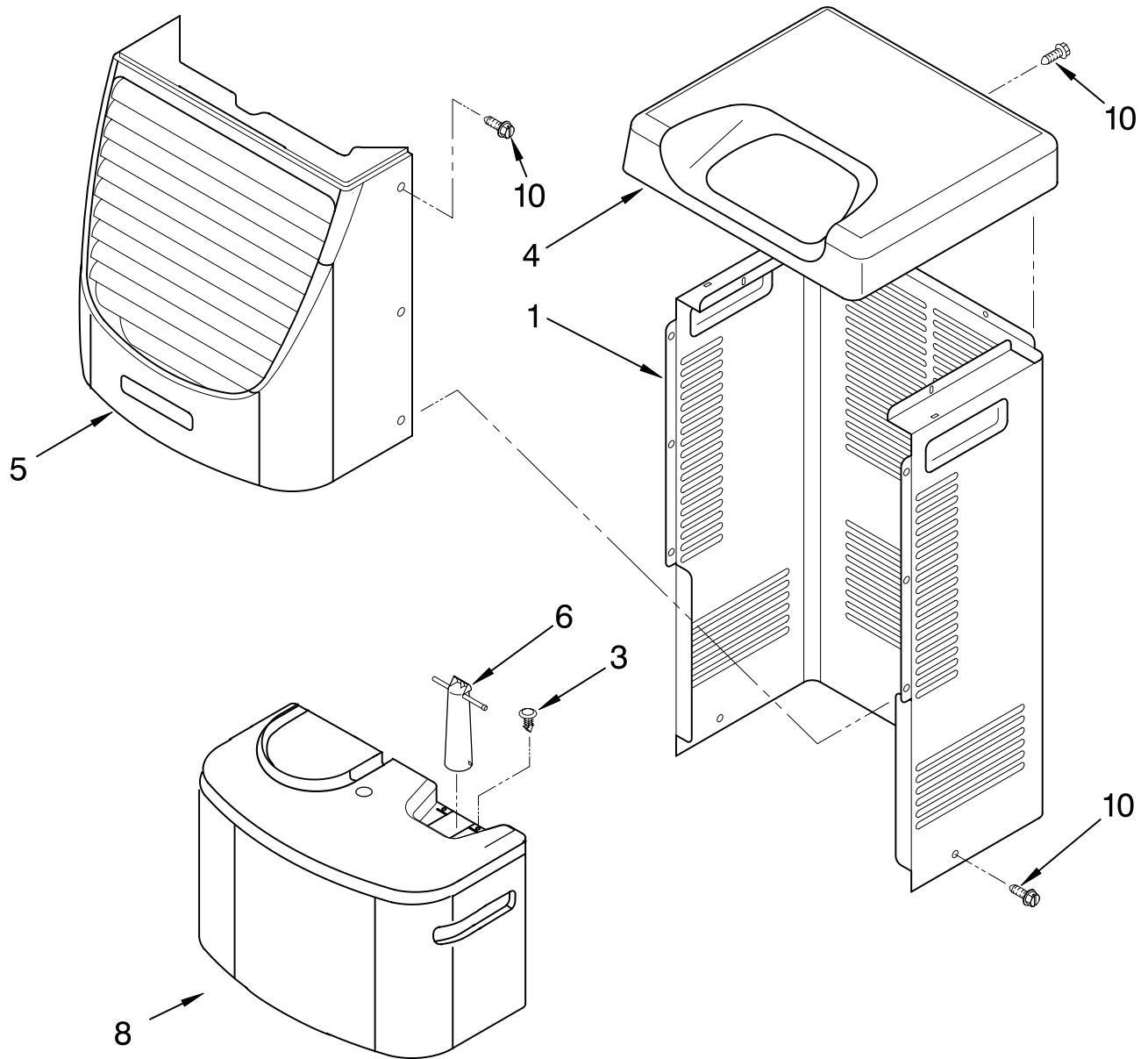
### REFRIGERANT CHARGE

4.25 oz.  
R-22

FOR ORDERING INFORMATION REFER TO PARTS PRICE LIST

# CABINET PARTS

For Model: AD25BBL3



Illus. No.	Part No.	DESCRIPTION
1	1168667	Cabinet
3	1168762	Clip, Float
4	1168652	Cover, Top
5	1182600	Cover, Front
6	1172075	Float
8	1182080	Bucket, Condensate
10	1168744	Screw

Illus. No.	Part No.	DESCRIPTION
Following Parts Not Illustrated and Optional Parts Not Included		
	484310	Epoxy, Tube (Aluminum Repair)
	505168	Tape, No Drip Valve, Access

Illus. No.	Part No.	DESCRIPTION
	978025	1/4" Tube O.D.
	978026	5/16" Tube O.D.
	978027	3/8" Tube O.D.
	978028	1/2" Tube O.D.
	978029	5/8" Tube O.D.
	978030	3/4" Tube O.D.
	978865	Seal, Ring Access Valve (20 Pack)

FOR ORDERING INFORMATION REFER TO PARTS PRICE LIST