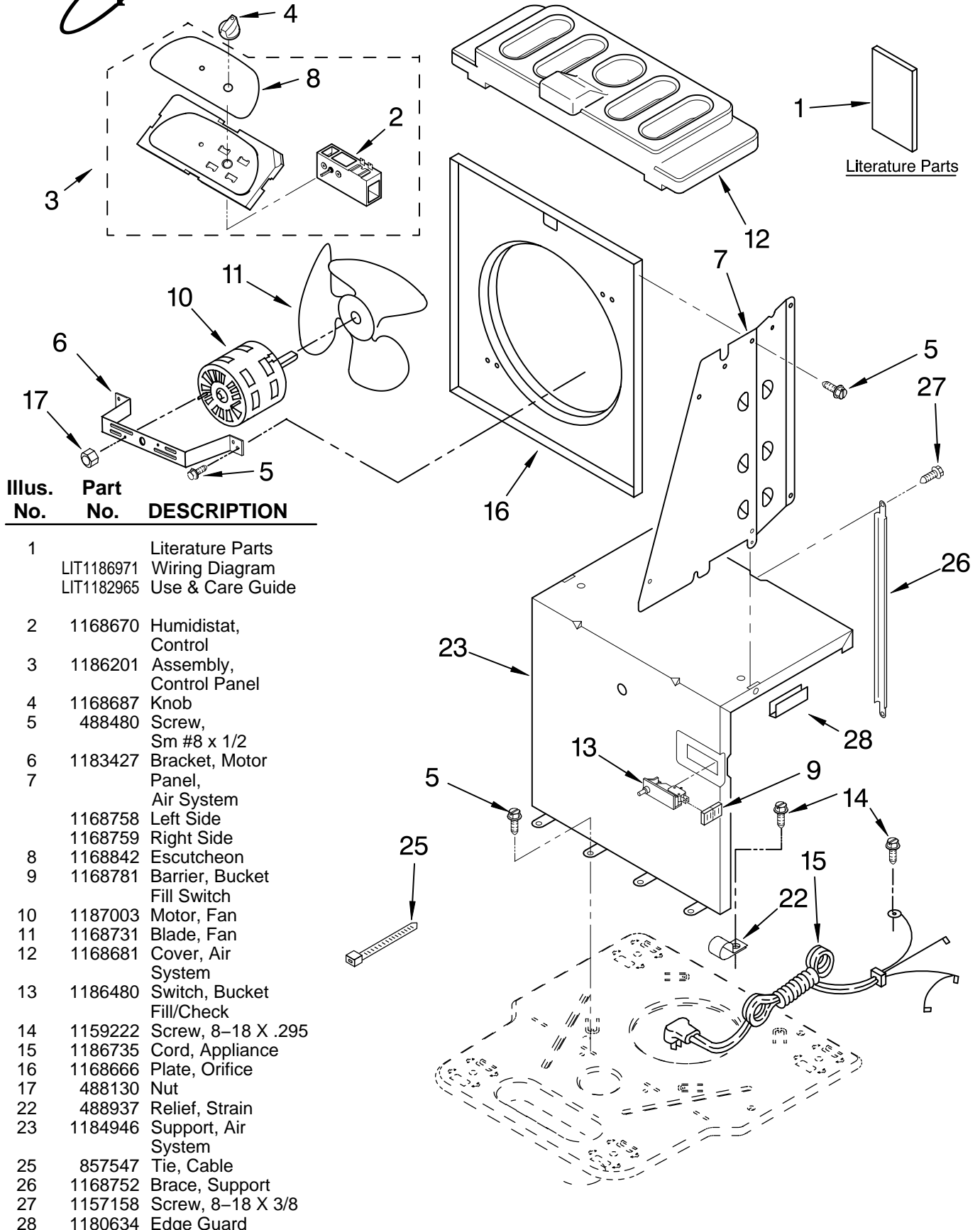




# AIR FLOW AND CONTROL PARTS

For Model: AD25BBL7

DEHUMIDIFIER



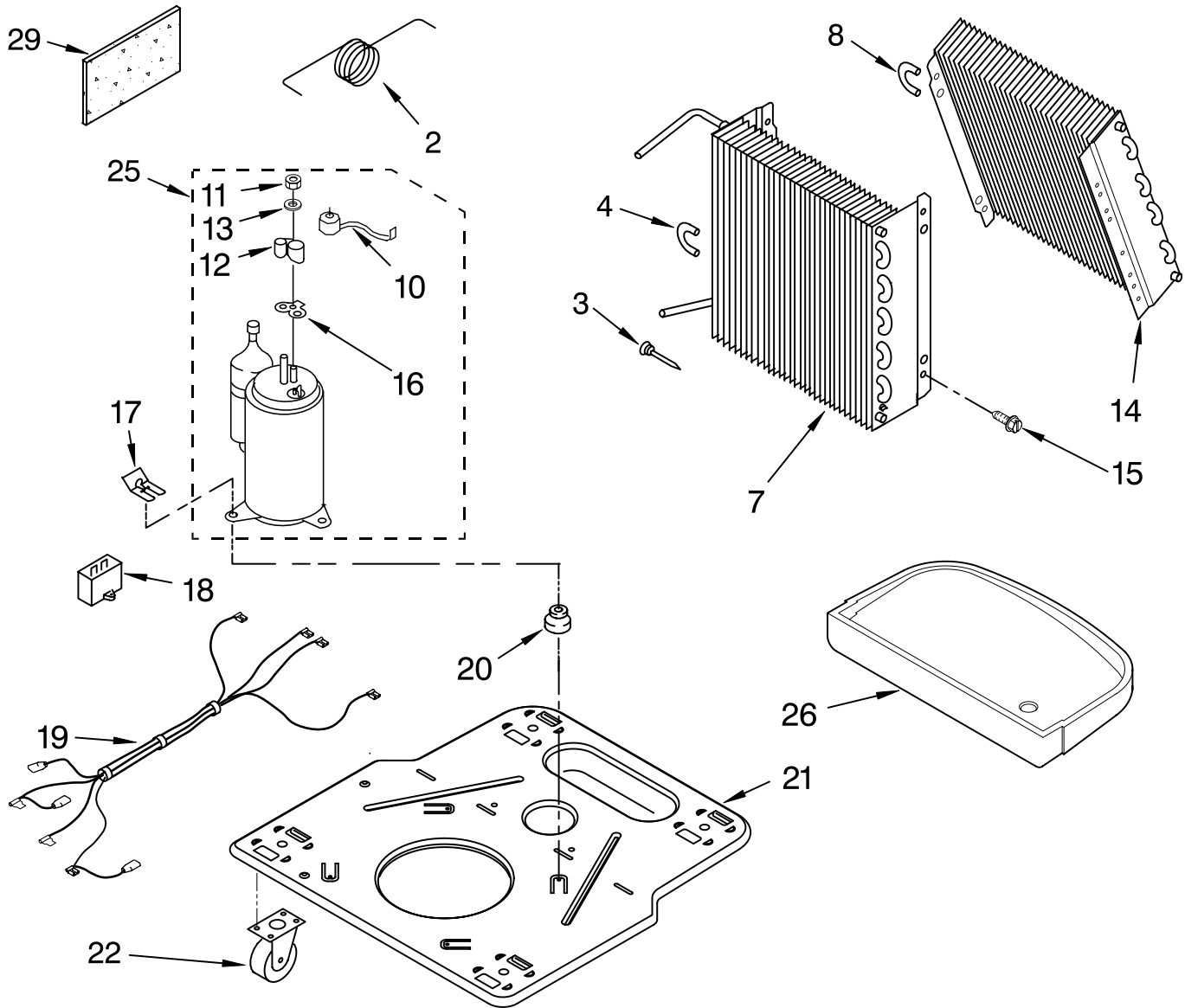
**Illus. Part No. DESCRIPTION**

1	LIT1186971 LIT1182965	Literature Parts Wiring Diagram Use & Care Guide
2	1168670	Humidistat, Control
3	1186201	Assembly, Control Panel
4	1168687	Knob
5	488480	Screw, Sm #8 x 1/2
6	1183427	Bracket, Motor
7	1168758 1168759	Panel, Air System Left Side Right Side
8	1168842	Escutcheon
9	1168781	Barrier, Bucket Fill Switch
10	1187003	Motor, Fan
11	1168731	Blade, Fan
12	1168681	Cover, Air System
13	1186480	Switch, Bucket Fill/Check
14	1159222	Screw, 8-18 X .295
15	1186735	Cord, Appliance
16	1168666	Plate, Orifice
17	488130	Nut
22	488937	Relief, Strain
23	1184946	Support, Air System
25	857547	Tie, Cable
26	1168752	Brace, Support
27	1157158	Screw, 8-18 X 3/8
28	1180634	Edge Guard

FOR ORDERING INFORMATION REFER TO PARTS PRICE LIST

# UNIT PARTS

For Model: AD25BBL7



Illus. No.	Part No.	DESCRIPTION
2	1186725	Tube, Restrictor
3	1162526	Strainer
4	8031222	Bend, Return (5)
7	1186715	Condenser
8	708531	Bend, Return (2)
10	1186958	Overload, Protector
11	1186128	Nut, Terminal Cover
12	1184748	Cover, Terminal
13	1182120	Gasket, Nut
14	1186718	Evaporator
15	488480	Screw, 8 x 1/2 (4)

Illus. No.	Part No.	DESCRIPTION
16	1182118	Gasket, Terminal Cover
17	8011446	Clip, Compressor
18	1186186	Capacitor
19	1186726	Harness, Wire
20	1186709	Grommet (3)
21	1186674	Base
22	1164241	Caster (4)
25	1186704	Compressor, (Complete Assembly)
26	1168761	Pan, Drain
29	1184625	Insulation (Restrictor Tube)

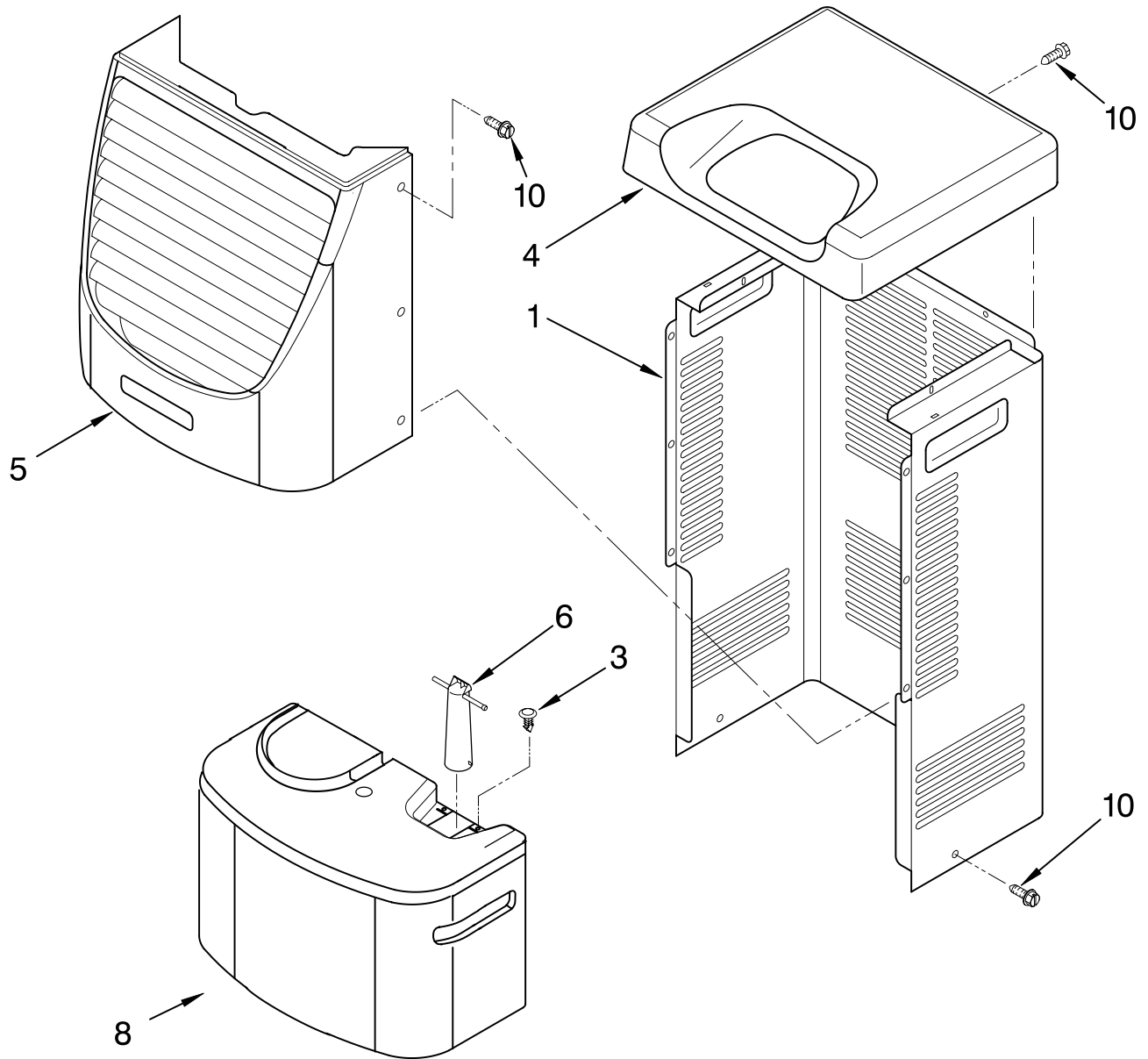
Illus. No.	Part No.	DESCRIPTION
<b>REFRIGERANT CHARGE</b>		

4.75 oz.  
R-22

FOR ORDERING INFORMATION REFER TO PARTS PRICE LIST

# CABINET PARTS

For Model: AD25BBL7



Illus. No.	Part No.	DESCRIPTION
1	1186822	Cabinet
3	1186430	Clip, Float
4	1168652	Cover, Top
5	1182600	Cover, Front
6	1172075	Float
8	1182080	Bucket, Condensate
10	1168744	Screw

Illus. No.	Part No.	DESCRIPTION
Following Parts Not Illustrated and Optional Parts Not Included		
	484310	Epoxy, Tube (Aluminum Repair)
	505168	Tape, No Drip Valve, Access

Illus. No.	Part No.	DESCRIPTION
	978025	1/4" Tube O.D.
	978026	5/16" Tube O.D.
	978027	3/8" Tube O.D.
	978028	1/2" Tube O.D.
	978029	5/8" Tube O.D.
	978030	3/4" Tube O.D.
	978865	Seal, Ring Access Valve (20 Pack)

FOR ORDERING INFORMATION REFER TO PARTS PRICE LIST