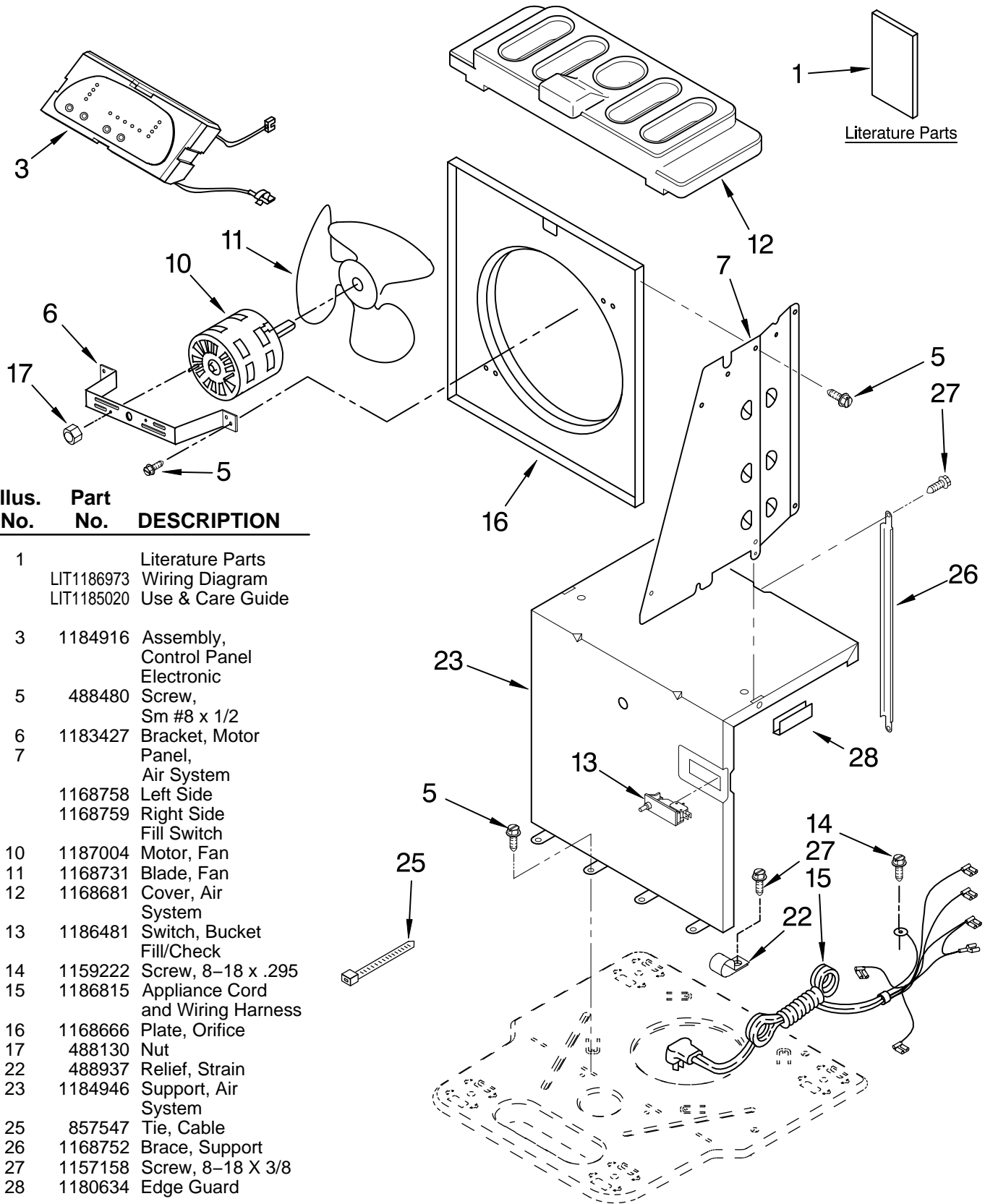




AIR FLOW AND CONTROL PARTS

For Model: AD40USL5

DEHUMIDIFIER

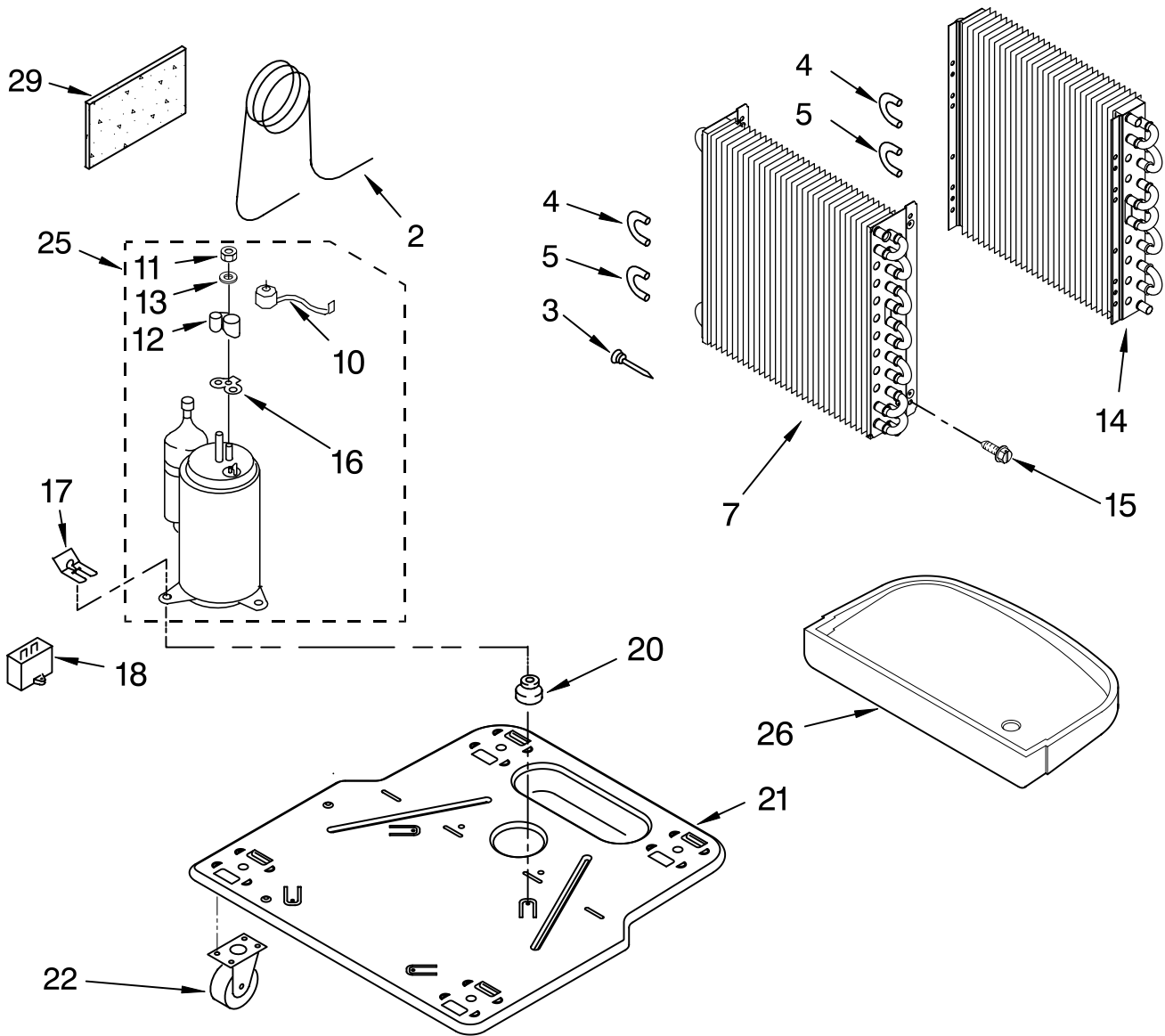


Illus. No.	Part No.	DESCRIPTION
1	LIT1186973 LIT1185020	Literature Parts Wiring Diagram Use & Care Guide
3	1184916	Assembly, Control Panel Electronic
5	488480	Screw, Sm #8 x 1/2
6	1183427	Bracket, Motor Panel,
7	1168758 1168759	Left Side Right Side
10	1187004	Motor, Fan
11	1168731	Blade, Fan
12	1168681	Cover, Air System
13	1186481	Switch, Bucket Fill/Check
14	1159222	Screw, 8-18 x .295
15	1186815	Appliance Cord and Wiring Harness
16	1168666	Plate, Orifice
17	488130	Nut
22	488937	Relief, Strain
23	1184946	Support, Air System
25	857547	Tie, Cable
26	1168752	Brace, Support
27	1157158	Screw, 8-18 X 3/8
28	1180634	Edge Guard

FOR ORDERING INFORMATION REFER TO PARTS PRICE LIST

UNIT PARTS

For Model: AD40USL5

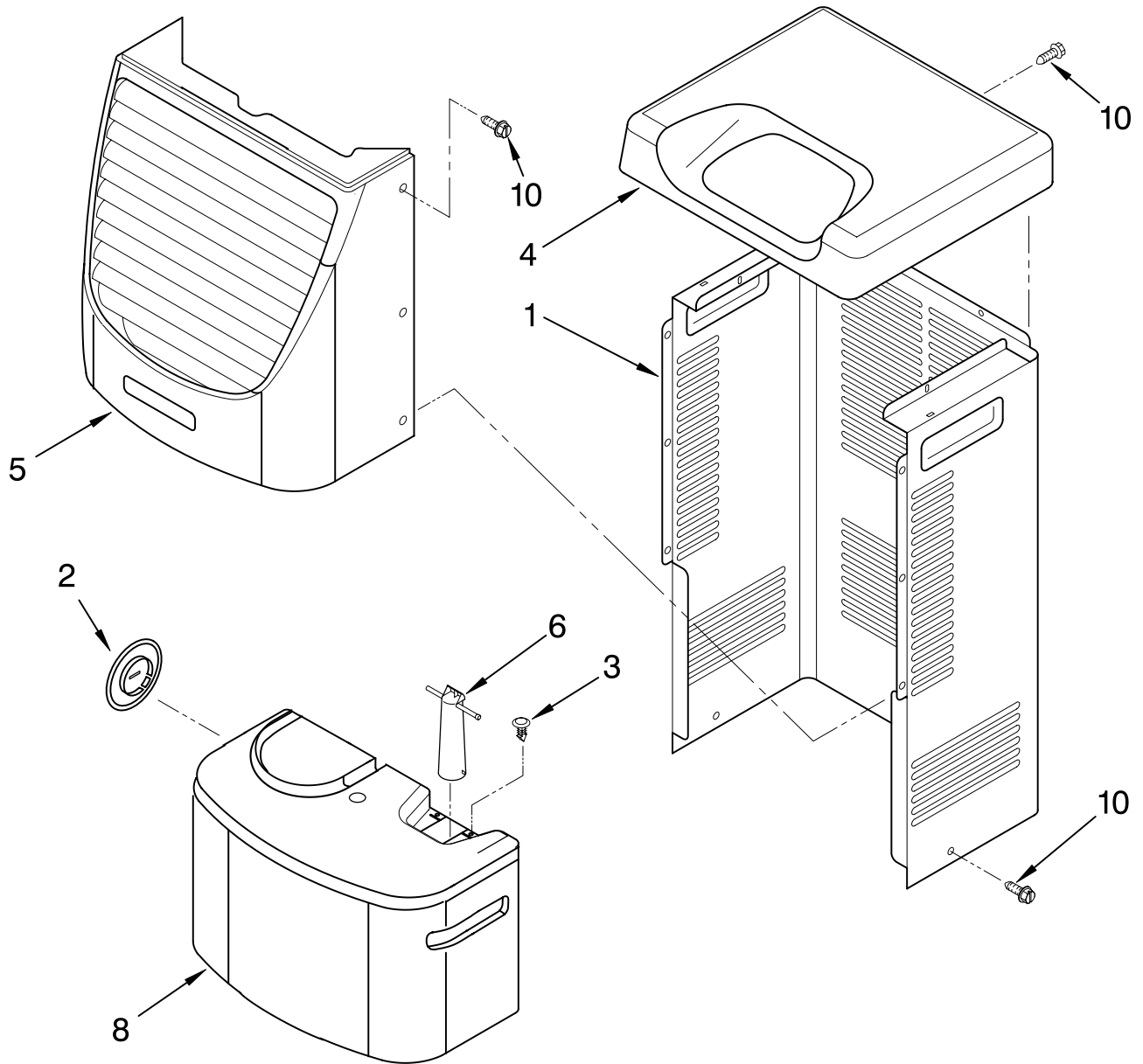


Illus. No.	Part No.	DESCRIPTION	Illus. No.	Part No.	DESCRIPTION	Illus. No.	Part No.	DESCRIPTION
2	1186761	Tube, Restrictor (Length 36.00")	12	1184748	Cover, Terminal	25	1187682	Compressor, (Complete Assembly)
3	1162526	Strainer	13	1182120	Gasket, Nut	26	1168761	Pan, Drain
4	708532	Bend, Return (7)	14	1186754	Evaporator	29	1184625	Insulation (Restrictor Tube)
5	708531	Bend, Return (1)	15	488480	Screw, 8 x 1/2 (4)	<p>REFRIGERANT CHARGE</p> <p>7.50 oz.</p>		
7	1187542	Condenser	16	1182118	Gasket, Terminal Cover			
10	1186982	Overload, Protector	17	8011446	Clip, Compressor			
11	1186128	Nut, Hex	18	1186186	Capacitor			
			20	950212	Grommet (3)			
			21	1186674	Base			
			22	1164241	Caster (4)			

FOR ORDERING INFORMATION REFER TO PARTS PRICE LIST

CABINET PARTS

For Model: AD40USL5



Illus. No.	Part No.	DESCRIPTION
1	1186822	Cabinet
2	1172098	Cover, Hose Connection
3	1186430	Clip, Float
4	1168652	Cover, Top
5	1182061	Cover, Front
6	1172075	Float
8	1182588	Bucket, Condensate
10	1168744	Screw

Illus. No.	Part No.	DESCRIPTION
OPTIONAL PARTS		
Following Parts Not Illustrated and Optional Parts Not Included		
	484310	Epoxy, Tube (Aluminum Repair)
	505168	Tape, No Drip Valve, Access

Illus. No.	Part No.	DESCRIPTION
	978025	1/4" Tube O.D.
	978026	5/16" Tube O.D.
	978027	3/8" Tube O.D.
	978028	1/2" Tube O.D.
	978029	5/8" Tube O.D.
	978030	3/4" Tube O.D.
	978865	Seal, Ring Access Valve (20 Pack)

FOR ORDERING INFORMATION REFER TO PARTS PRICE LIST