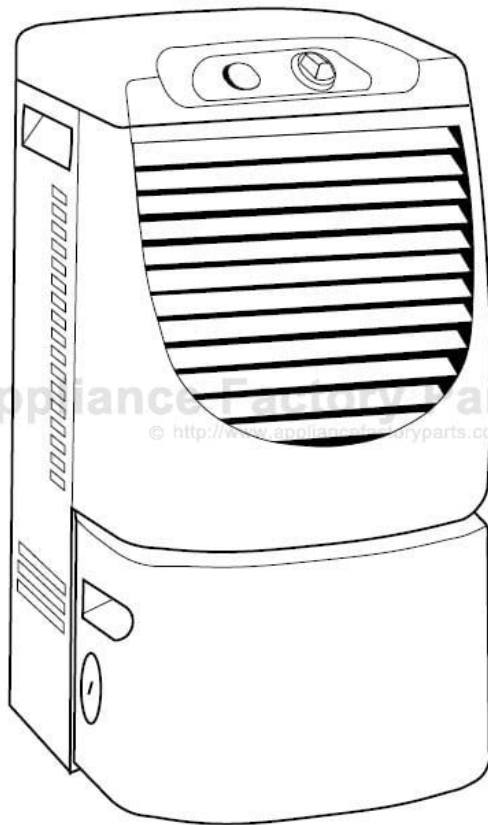


This Owner's Manual is provided and hosted by [Appliance Factory Parts](http://www.appliancefactoryparts.com).



WHIRLPOOL AD50DSL4 Owner's Manual

[Shop genuine replacement parts for WHIRLPOOL
AD50DSL4](#)



[Find Your WHIRLPOOL Dehumidifier Parts - Select From 309 Models](#)

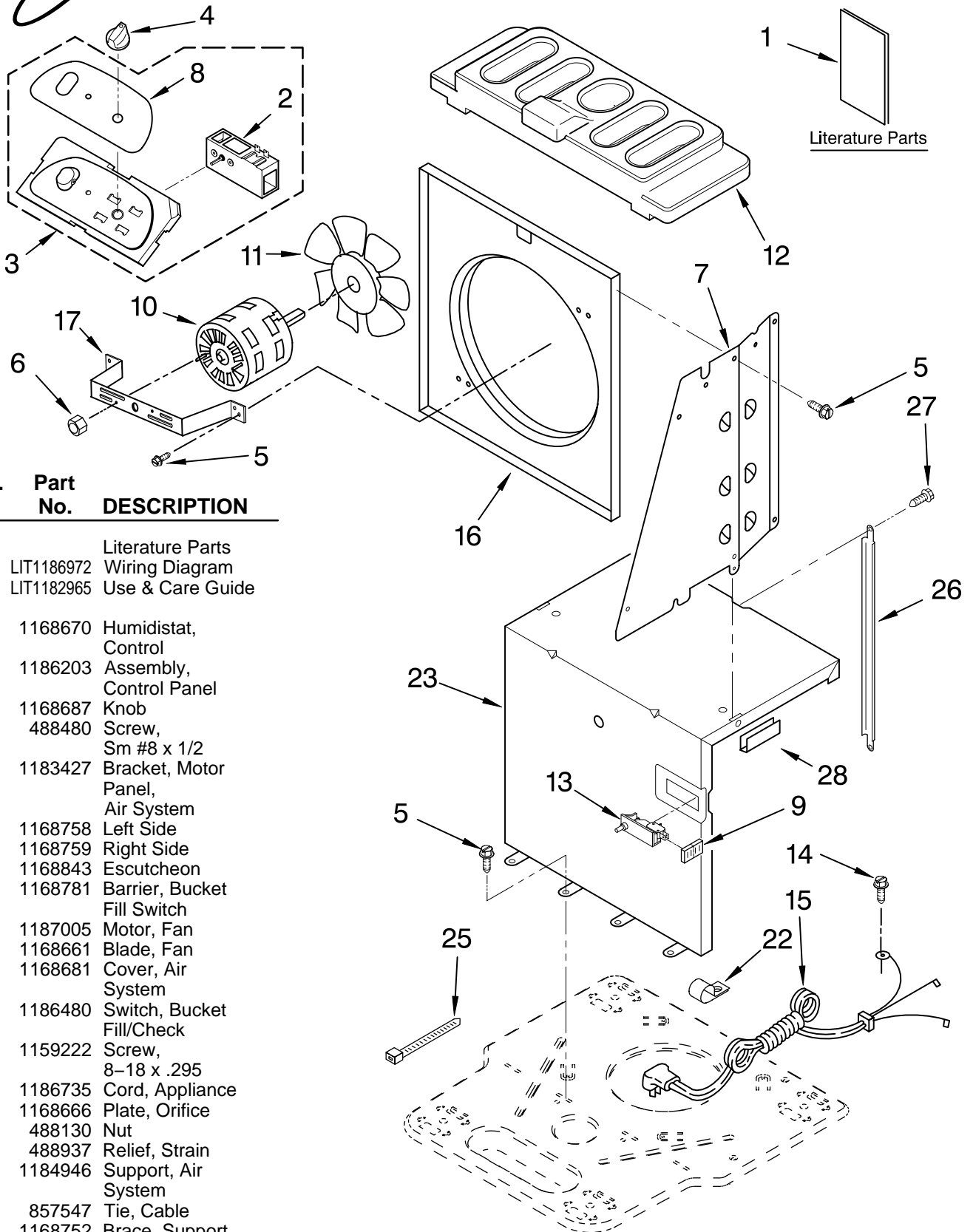
----- Manual continues below -----



AIR FLOW AND CONTROL PARTS

For Model: AD50DSL4

DEHUMIDIFIER

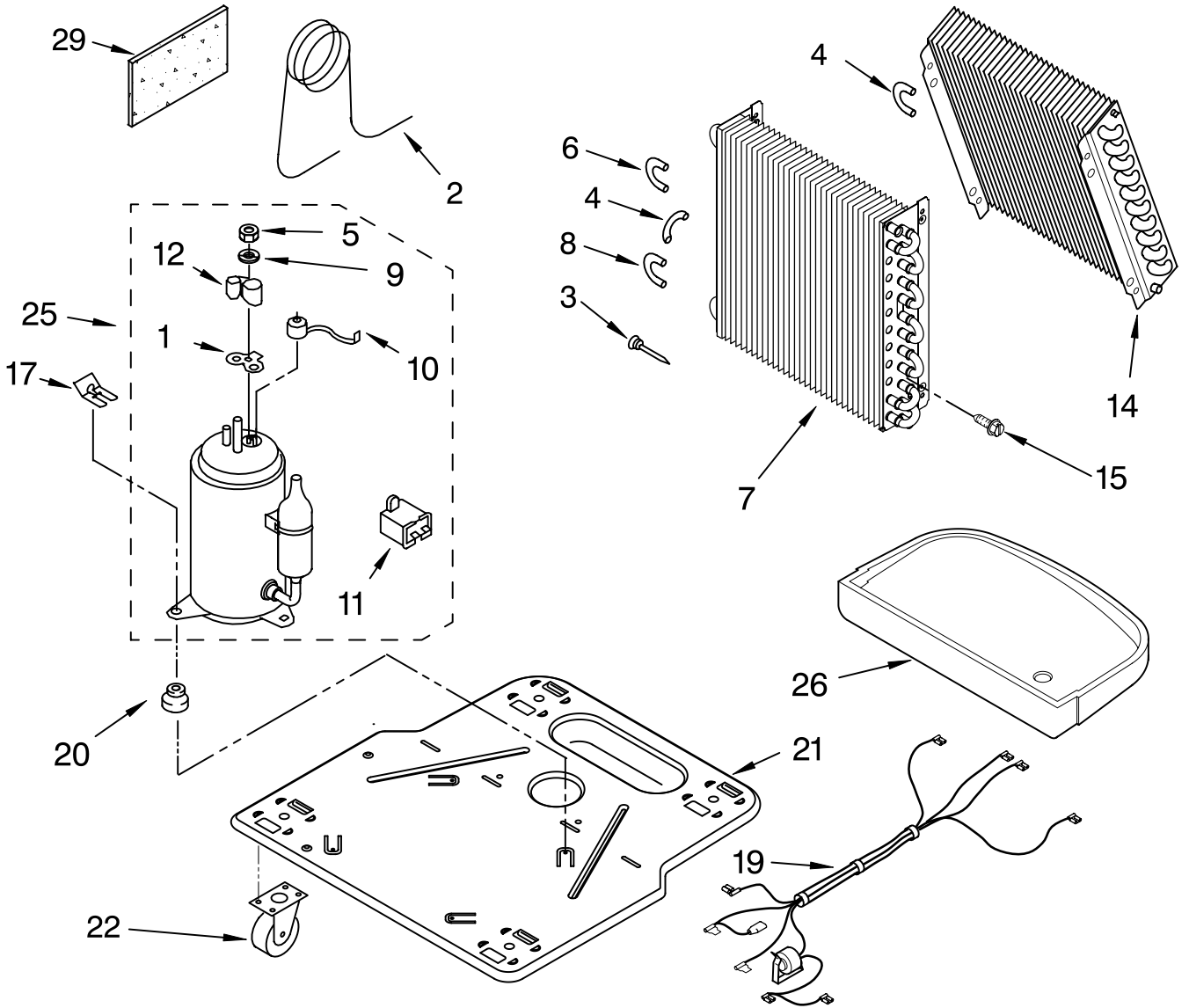


Illus. No.	Part No.	DESCRIPTION
1	LIT1186972 LIT1182965	Literature Parts Wiring Diagram Use & Care Guide
2	1168670	Humidistat, Control
3	1186203	Assembly, Control Panel
4	1168687	Knob
5	488480	Screw, Sm #8 x 1/2
6	1183427	Bracket, Motor
7	1168758 1168759	Panel, Air System Left Side Right Side
8	1168843	Escutcheon
9	1168781	Barrier, Bucket Fill Switch
10	1187005	Motor, Fan
11	1168661	Blade, Fan
12	1168681	Cover, Air System
13	1186480	Switch, Bucket Fill/Check
14	1159222	Screw, 8-18 x .295
15	1186735	Cord, Appliance
16	1168666	Plate, Orifice
17	488130	Nut
22	488937	Relief, Strain
23	1184946	Support, Air System
25	857547	Tie, Cable
26	1168752	Brace, Support
27	1157158	Screw, 8-18 X 3/8
28	1180634	Edge Guard

FOR ORDERING INFORMATION REFER TO PARTS PRICE LIST

UNIT PARTS

For Model: AD50DSL4



Illus. No.	Part No.	DESCRIPTION	Illus. No.	Part No.	DESCRIPTION	Illus. No.	Part No.	DESCRIPTION
1	1182118	Gasket, Terminal Cover	9	1182120	Gasket, Nut	25	1186706	Compressor, (Complete Assembly)
2	1168734	Tube, Restrictor (Length 30.00")	10	1186960	Overload, Protector	26	1168761	Pan, Drain
3	1162526	Strainer	11	1186186	Capacitor	29	1184625	Insulation (Restrictor Tube)
4	708532	Bend, Return Evaporator	12	1184748	Cover, Terminal			
5	1186128	Nut, Hex	14	1185204	Evaporator			
6	8031223	Bend, Return Condenser	15	488480	Screw, 8 x 1/2 (4)			
7	1186756	Condenser	17	8011446	Clip, Compressor			
8	8031222	Bend, Return	19	1186727	Harness, Wire			
			20	1186709	Grommet (3)			
			21	1186674	Base			
			22	1164241	Caster (4)			

REFRIGERANT CHARGE

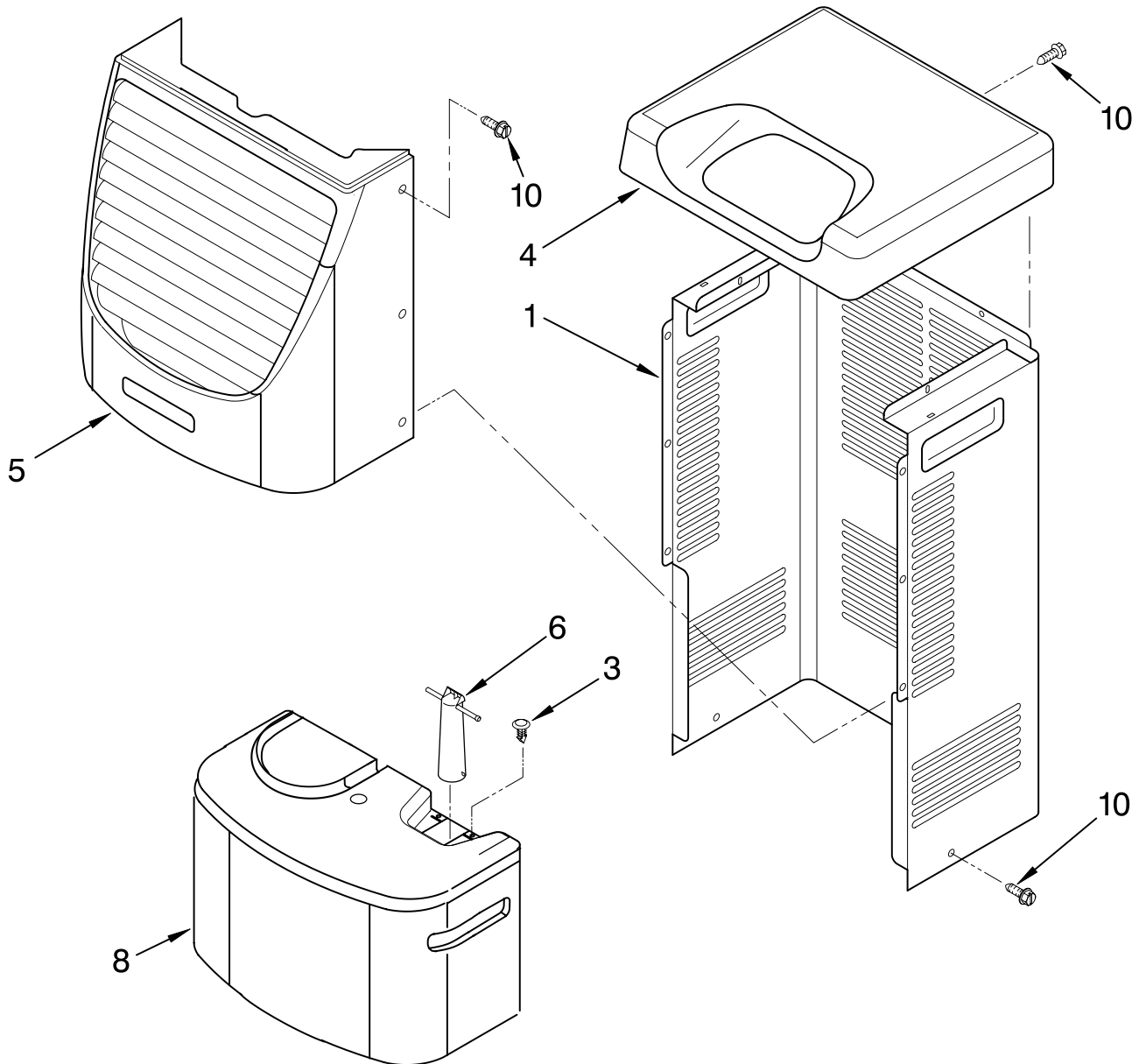
9.5 oz.

**Production Compressor Requires Production Electrical Components.
Service Compressor Requires Service Electrical Components.
For Further Information, Refer to Filmcard 19.1.**

FOR ORDERING INFORMATION REFER TO PARTS PRICE LIST

CABINET PARTS

For Model: AD50DSL4



Illus. No.	Part No.	DESCRIPTION
1	1186822	Cabinet
3	1186430	Clip, Float
4	1168652	Cover, Top
5	1182600	Cover, Front
6	1172075	Float
8	1182080	Bucket, Condensate
10	1168744	Screw

Illus. No.	Part No.	DESCRIPTION
Following Parts Not Illustrated and Optional Parts Not Included		
	484310	Epoxy, Tube (Aluminum Repair)
	505168	Tape, No Drip Valve, Access
	978025	1/4" Tube O.D.
	978026	5/16" Tube O.D.

Illus. No.	Part No.	DESCRIPTION
	978027	3/8" Tube O.D.
	978028	1/2" Tube O.D.
	978029	5/8" Tube O.D.
	978030	3/4" Tube O.D.
	978865	Seal, Ring Access Valve (20 Pack)

FOR ORDERING INFORMATION REFER TO PARTS PRICE LIST