

This Owner's Manual is provided and hosted by [Appliance Factory Parts](#).



WHIRLPOOL AD50USS2 Owner's Manual

[Shop genuine replacement parts for WHIRLPOOL
AD50USS2](#)



[Find Your WHIRLPOOL Dehumidifier Parts - Select From 309 Models](#)

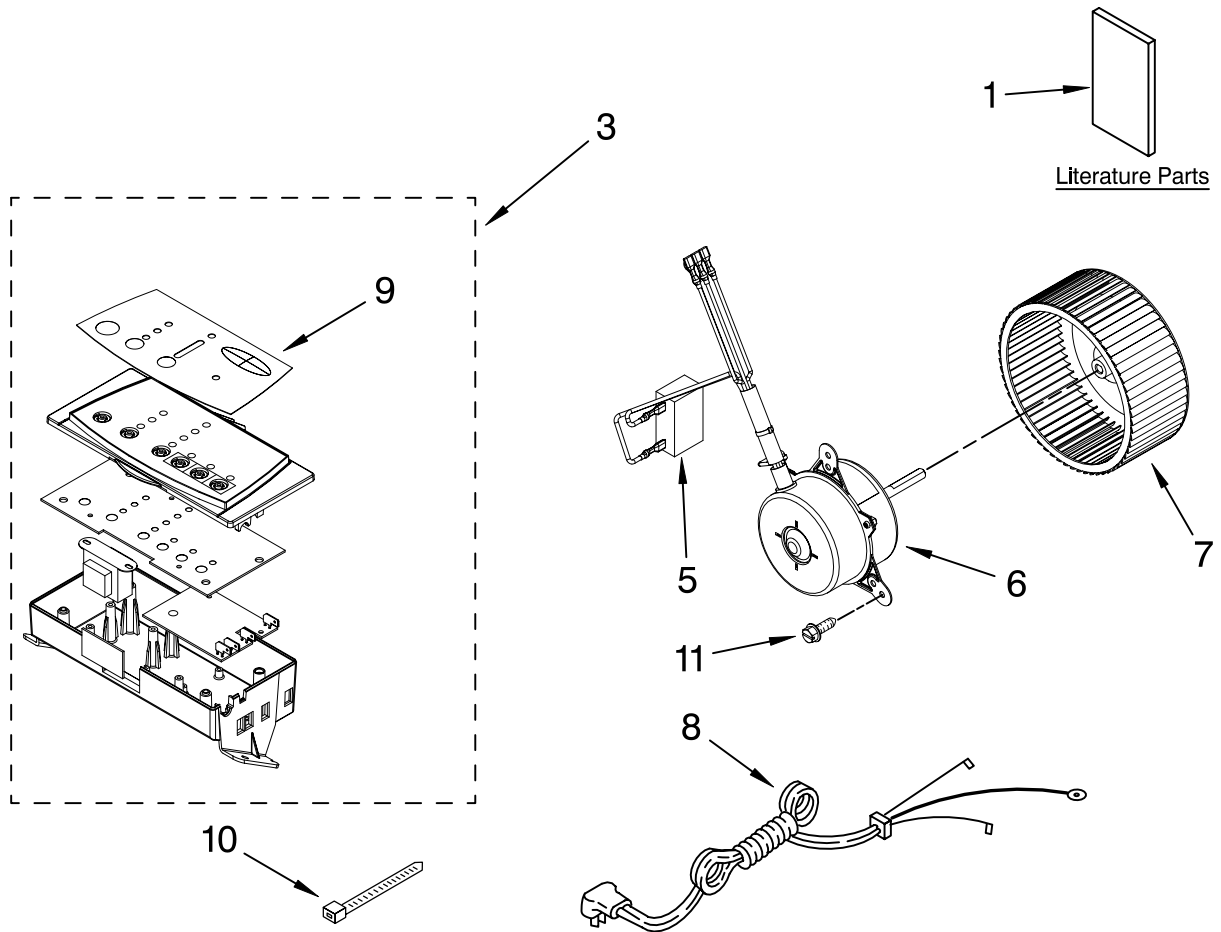
----- Manual continues below -----



AIR FLOW AND CONTROL PARTS

DEHUMIDIFIER

For Model: AD50USS2

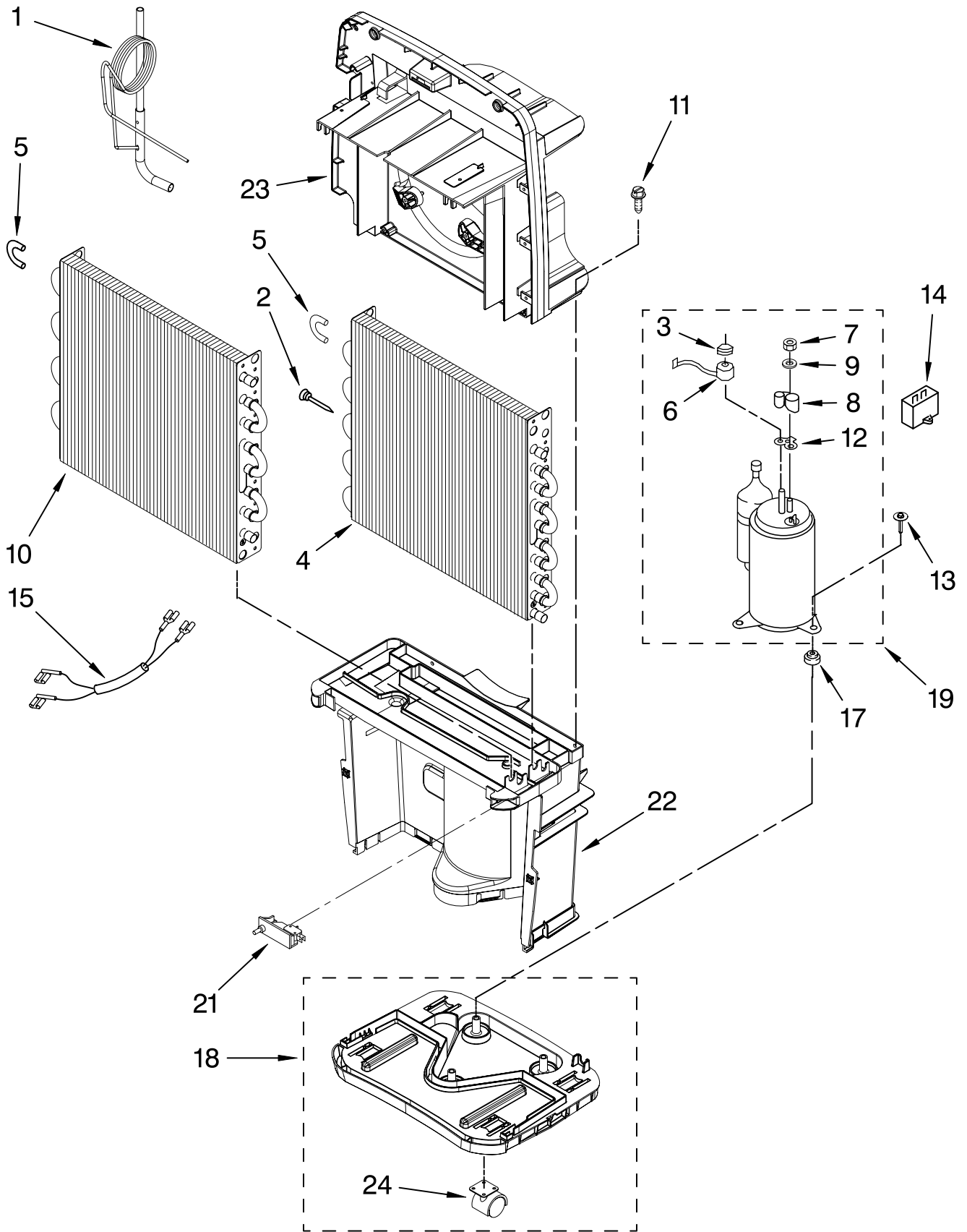


Illus. No.	Part No.	DESCRIPTION
1		Literature Parts
	1188575	Wiring Diagram
	1188827	Use & Care Guide
3	1188398	Assembly, Control Panel
5	1188476	Capacitor, Fan
6	1188411	Motor, Fan
7	1188416	Wheel, Blower
8	1188469	Cord, Appliance
9	1188459	Overlay
10	857547	Tie, Cable
11	489470	Screw

FOR ORDERING INFORMATION REFER TO PARTS PRICE LIST

UNIT PARTS

For Model: AD50USS2



FOR ORDERING INFORMATION REFER TO PARTS PRICE LIST

UNIT PARTS

For Model: AD50USS2

Illus. No.	Part No.	DESCRIPTION
1	1188524	Tube, Restrictor
2	1162526	Strainer
3	1185795	Spring, Overload
4	1188484	Condenser
5	4388784	Bend, Return
6	1188186	Overload, Protector
7	1186030	Nut, Terminal Cover
8	1188822	Cover, Terminal
9	1185794	Washer, Nut
10	1188443	Evaporator
11	9740848	Screw
12	1185793	Gasket, Terminal Cover
13	W10001320	Screw, Compressor
14	1188477	Capacitor
15	1188467	Wire Harness, Compressor (2 Wire)
17	1188564	Grommet, Compressor
18	1188558	Base
19	1188418	Compressor, (Complete Assembly)
21	1188815	Switch, Bucket Fill/Check
22	1188393	Support, Lower
23	1188394	Support, Upper
24	1188415	Caster

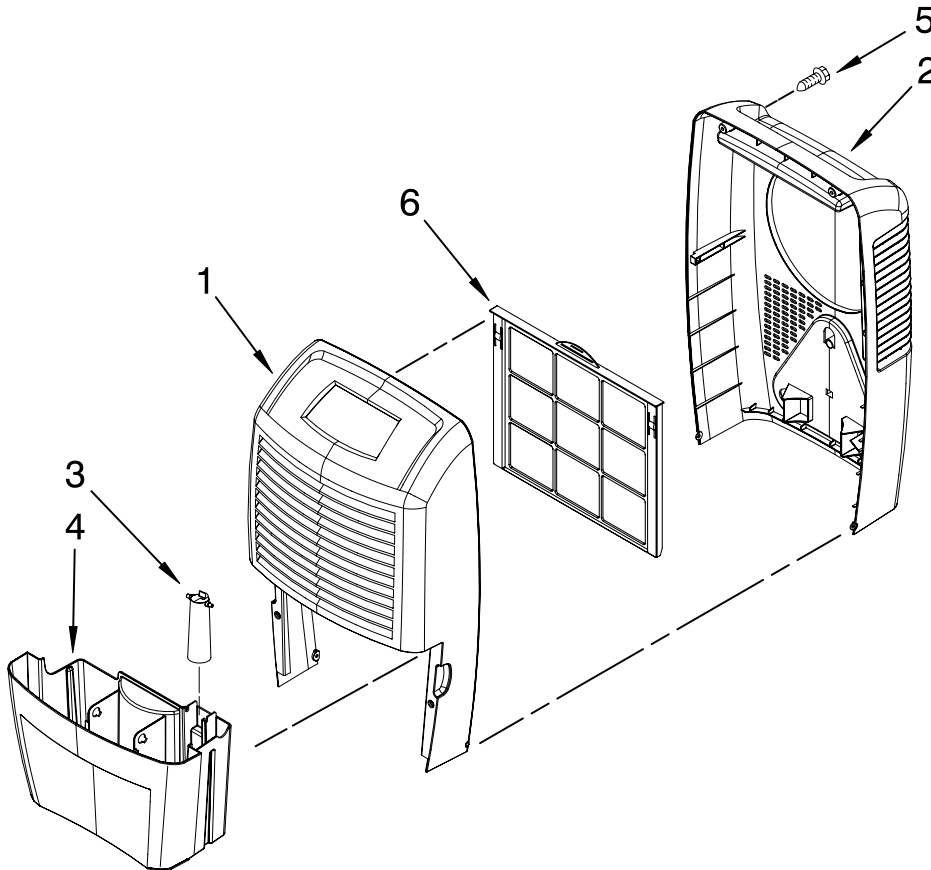
REFRIGERANT CHARGE

7.50 oz.
R-22

FOR ORDERING INFORMATION REFER TO PARTS PRICE LIST

CABINET PARTS

For Model: AD50USS2



Illus. No.	Part No.	DESCRIPTION
1	1188395	Cabinet, Front
2	1188396	Cabinet, Rear
3	1188341	Float
4	1188913	Bucket Assembly (Includes Item 6)
5	9742177	Screw
6	1188402	Filter

**Following Parts Not Illustrated
and Optional Parts Not Included**

505168	Tape, No Drip Valve, Access
978025	1/4" Tube O.D.
978026	5/16" Tube O.D.
978027	3/8" Tube O.D.
978028	1/2" Tube O.D.
978029	5/8" Tube O.D.
978030	3/4" Tube O.D.
978865Bulk	Seal, Ring Access Valve (20 Pack)

FOR ORDERING INFORMATION REFER TO PARTS PRICE LIST