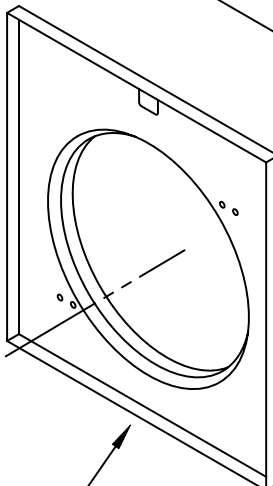
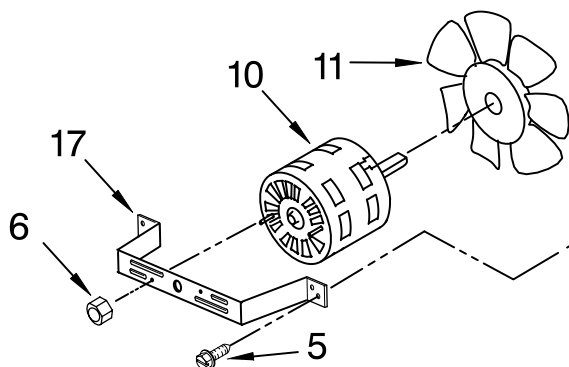
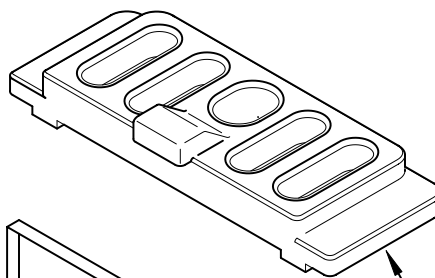
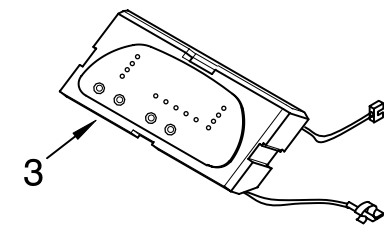
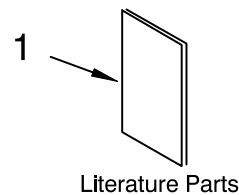




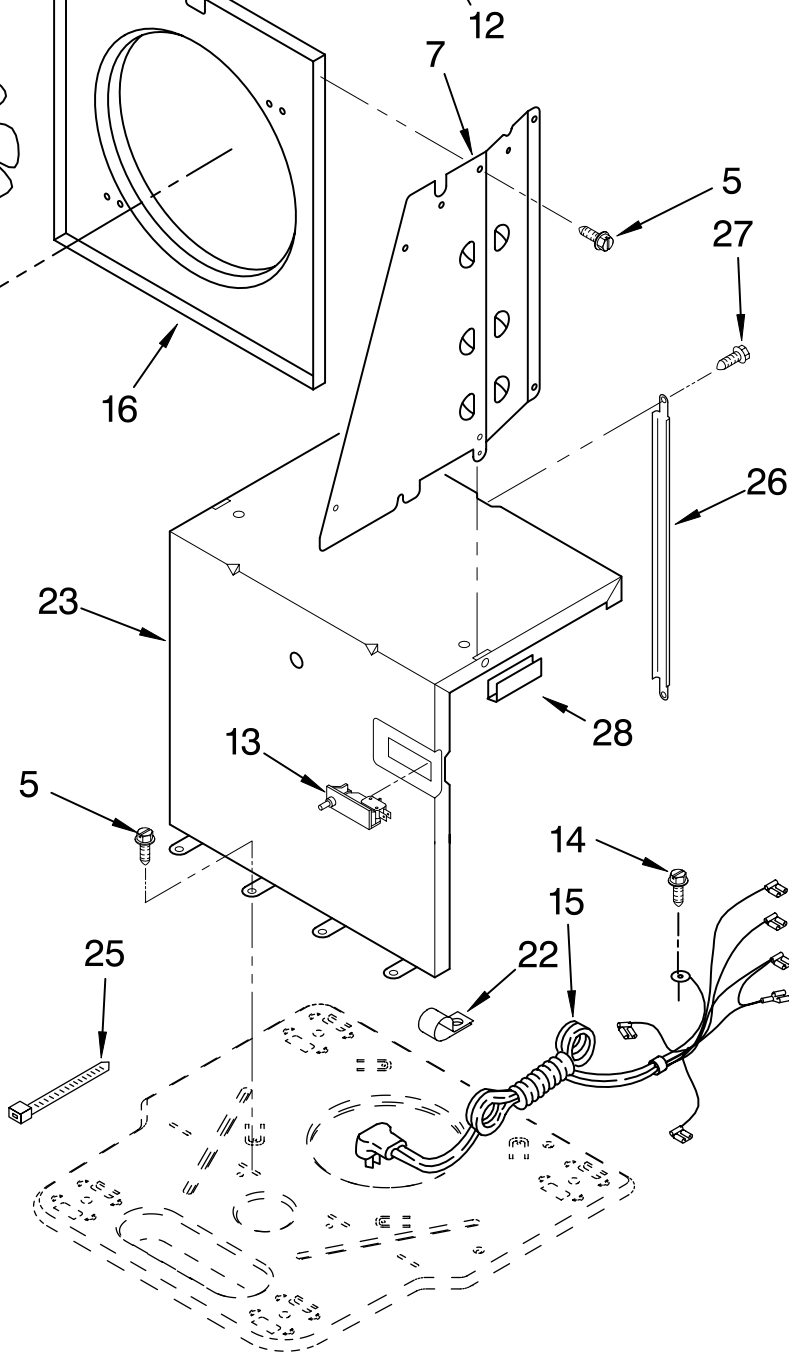
AIR FLOW AND CONTROL PARTS

For Model: AD60LBK0

DEHUMIDIFIER



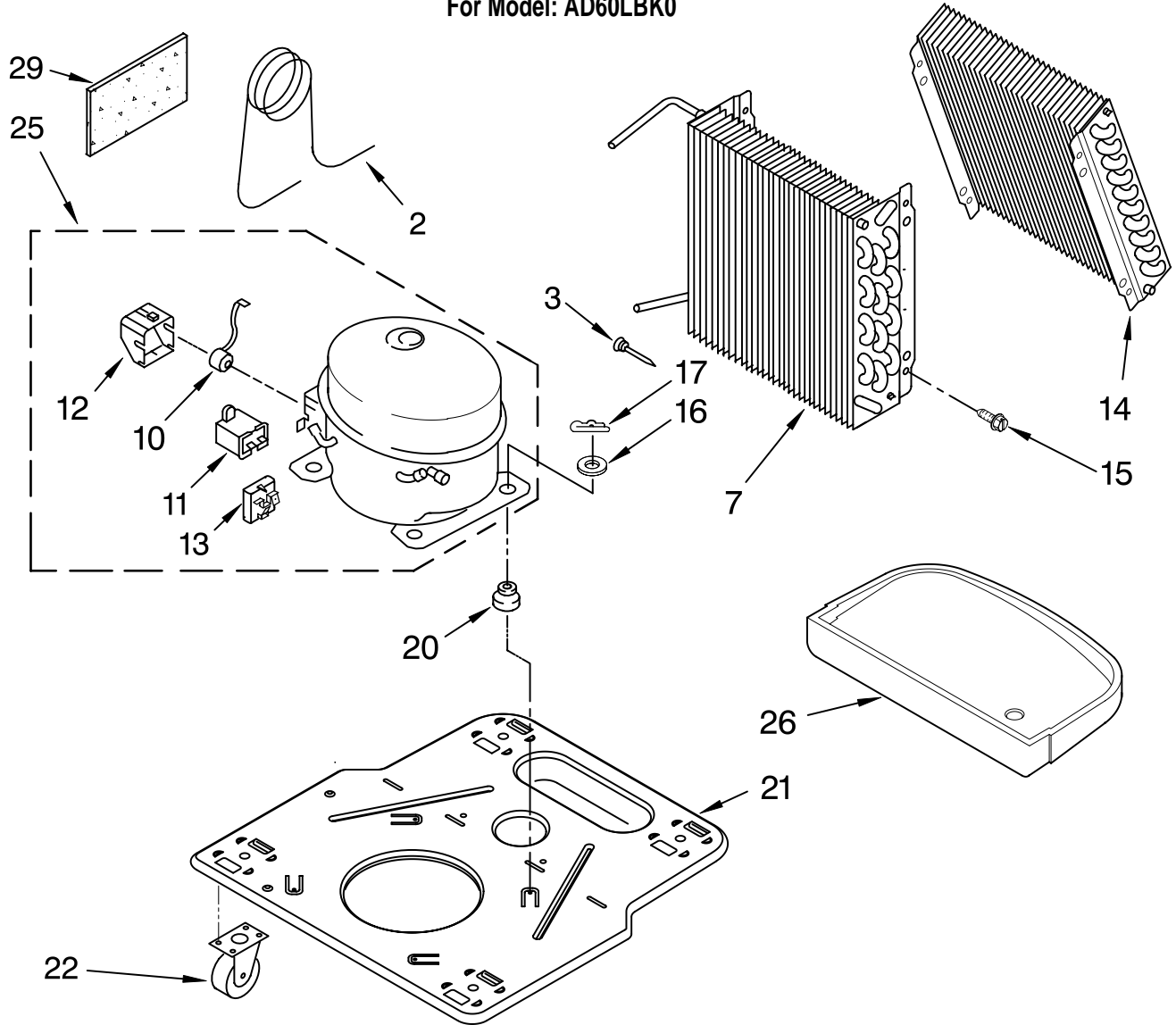
Illus. No.	Part No.	DESCRIPTION
1	LIT1185354 LIT1185020	LITERATURE PARTS Wiring Diagram Use & Care Guide
3	1184916	Assembly, Control Panel Electronic
5	488480	Screw, Sm #8 x 1/2
6	1183427	Bracket, Motor Panel,
7	1168758 1168759	Left Side Right Side
10	1183426	Motor, Fan
11	1168661	Blade, Fan
12	1168681	Cover, Air System
13	1185227	Switch, Bucket Fill/Check
14	1159222	Screw, 8-18 x .295
15	1184945	Cord, Appliance with Wire Harness
16	1168666	Plate, Orifice
17	488130	Nut
22	1180504	Relief, Strain
23	1184946	Support, Air System
25	857547	Tie, Cable
26	1168752	Brace, Support
27	1157158	Screw, 8-18 X 3/8
28	1180634	Edge Guard



FOR ORDERING INFORMATION REFER TO PARTS PRICE LIST

UNIT PARTS

For Model: AD60LBK0



Illus. No.	Part No.	DESCRIPTION
2	1185345	Tube, Restrictor (Length 36.00")
3	1162526	Strainer
7	1184770	Condenser
10	1185293	Overload, Protector
11	1185344	Capacitor
12	1182781	Cover, Terminal
13	1185343	Relay, Start

Illus. No.	Part No.	DESCRIPTION
14	1185204	Evaporator
15	488480	Screw, 8 x 1/2 (4)
16	680975	Washer
17	24364001	Clip, Compressor
20	1168722	Grommet (4)
21	1168654	Base
22	1164241	Caster (4)
25	1185234	Compressor, (Complete Assembly)

Illus. No.	Part No.	DESCRIPTION
26	1168761	Pan, Drain
29	1184625	Seal, Anti Rub (Restrictor Tube)

REFRIGERANT CHARGE

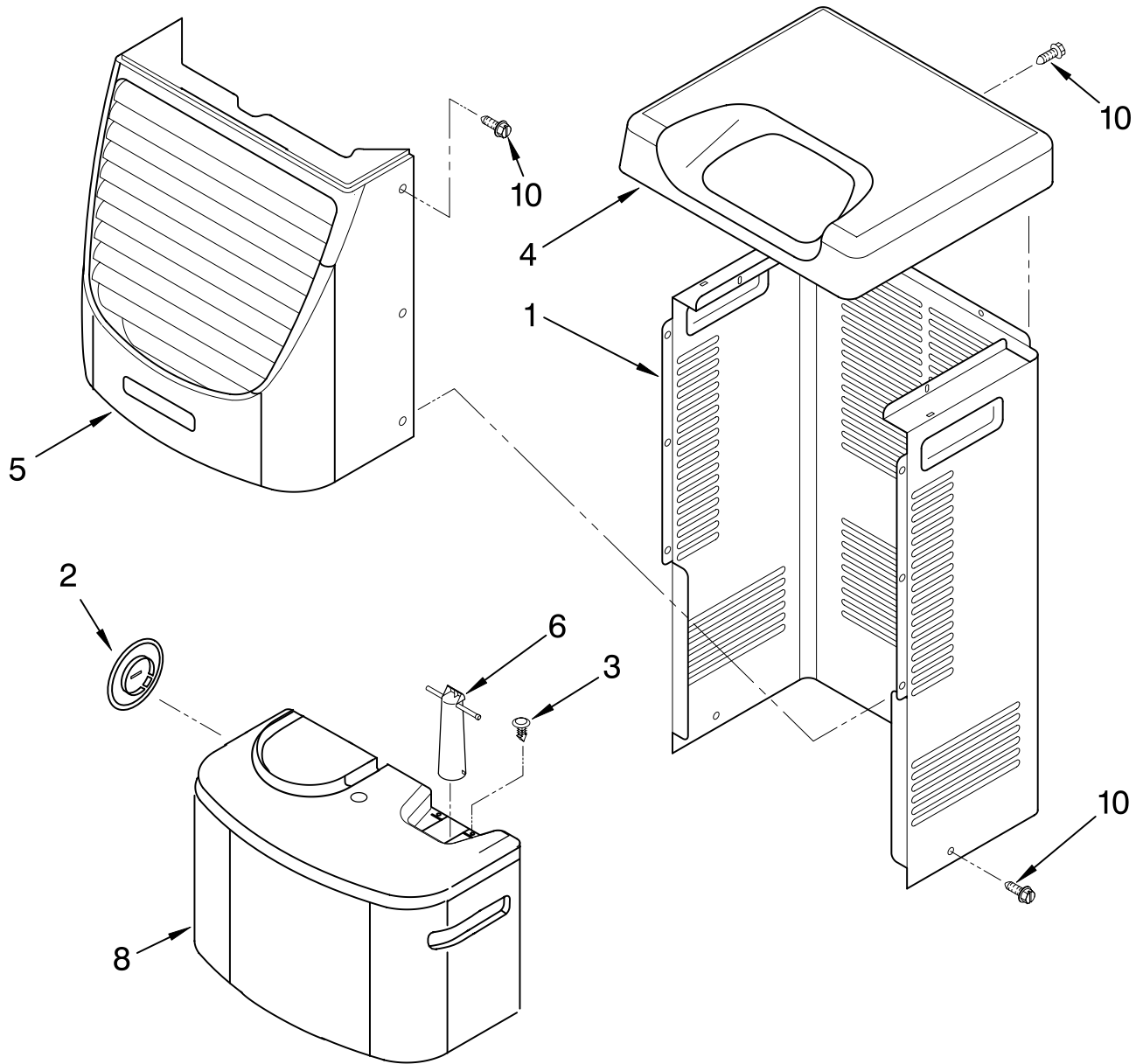
10.75 oz.

**Production Compressor Requires Production Electrical Components.
Service Compressor Requires Service Electrical Components.
For Further Information, Refer to Filmcard 19.1.**

FOR ORDERING INFORMATION REFER TO PARTS PRICE LIST

CABINET PARTS

For Model: AD60LBK0



Illus. No.	Part No.	DESCRIPTION
1	1168667	Cabinet
2	1172098	Cover, Hose Connection
3	1168762	Clip, Float
4	1168652	Cover, Top
5	1182600	Cover, Front
6	1172075	Float
8	1182080	Bucket, Condensate
10	1168744	Screw

Illus. No.	Part No.	DESCRIPTION
Following Parts Not Illustrated and Optional Parts Not Included		
	484310	Epoxy, Tube (Aluminum Repair)
	505168	Tape, No Drip Valve, Access
	978025	1/4" Tube O.D.
	978026	5/16" Tube O.D.

Illus. No.	Part No.	DESCRIPTION
	978027	3/8" Tube O.D.
	978028	1/2" Tube O.D.
	978029	5/8" Tube O.D.
	978030	3/4" Tube O.D.
	978865	Seal, Ring Access Valve (20 Pack) Return Bend Replacement Kit
	4388784	(5/16 Inch Tube)
	4388785	(3/8 Inch Tube)

FOR ORDERING INFORMATION REFER TO PARTS PRICE LIST