

This Owner's Manual is provided and hosted by [Appliance Factory Parts](#).



WHIRLPOOL AD65USR1 Owner's Manual

[Shop genuine replacement parts for WHIRLPOOL
AD65USR1](#)



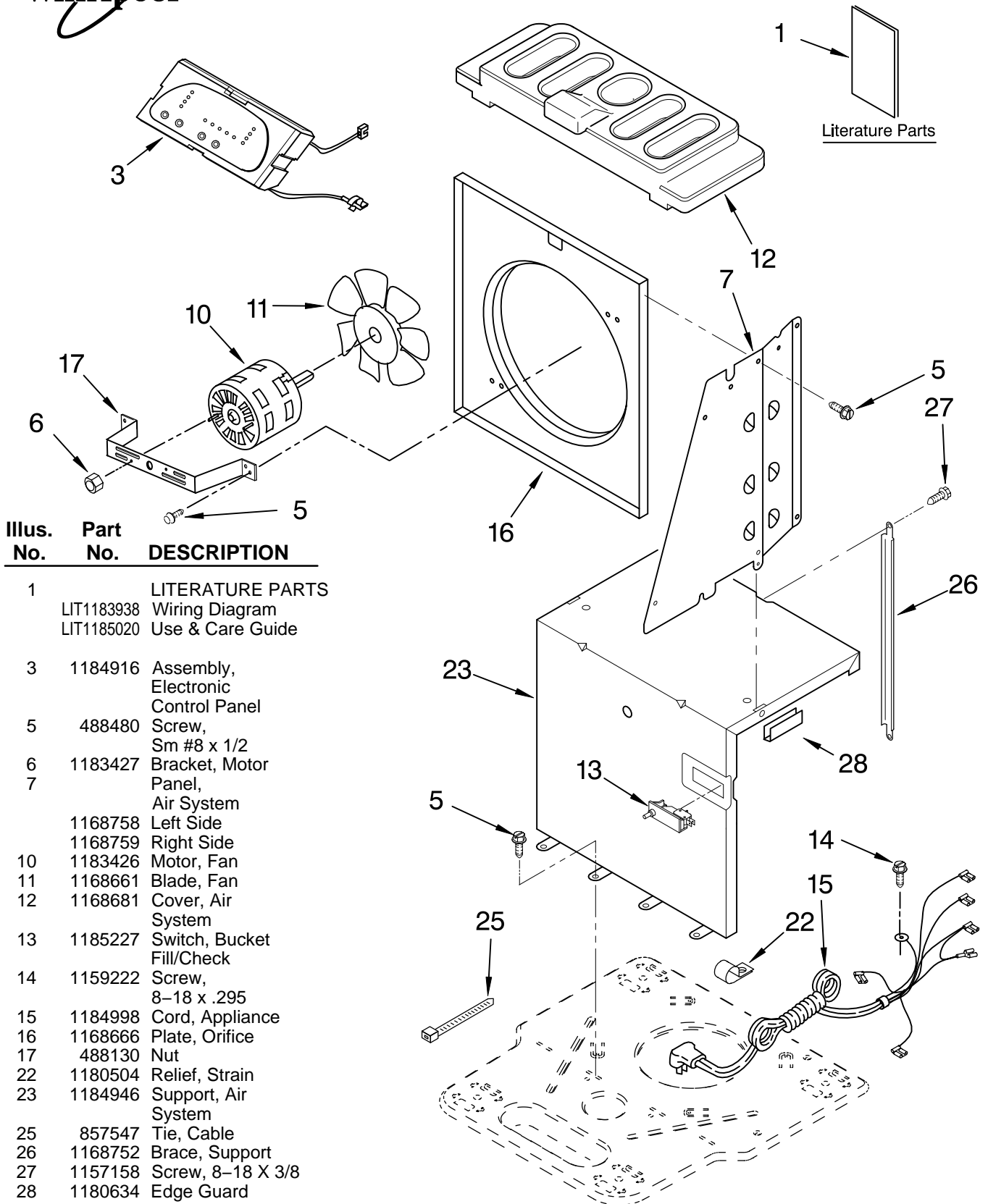
[Find Your WHIRLPOOL Dehumidifier Parts - Select From 309 Models](#)

----- Manual continues below -----



AIR FLOW AND CONTROL PARTS DEHUMIDIFIER

For Model: AD65LEK0

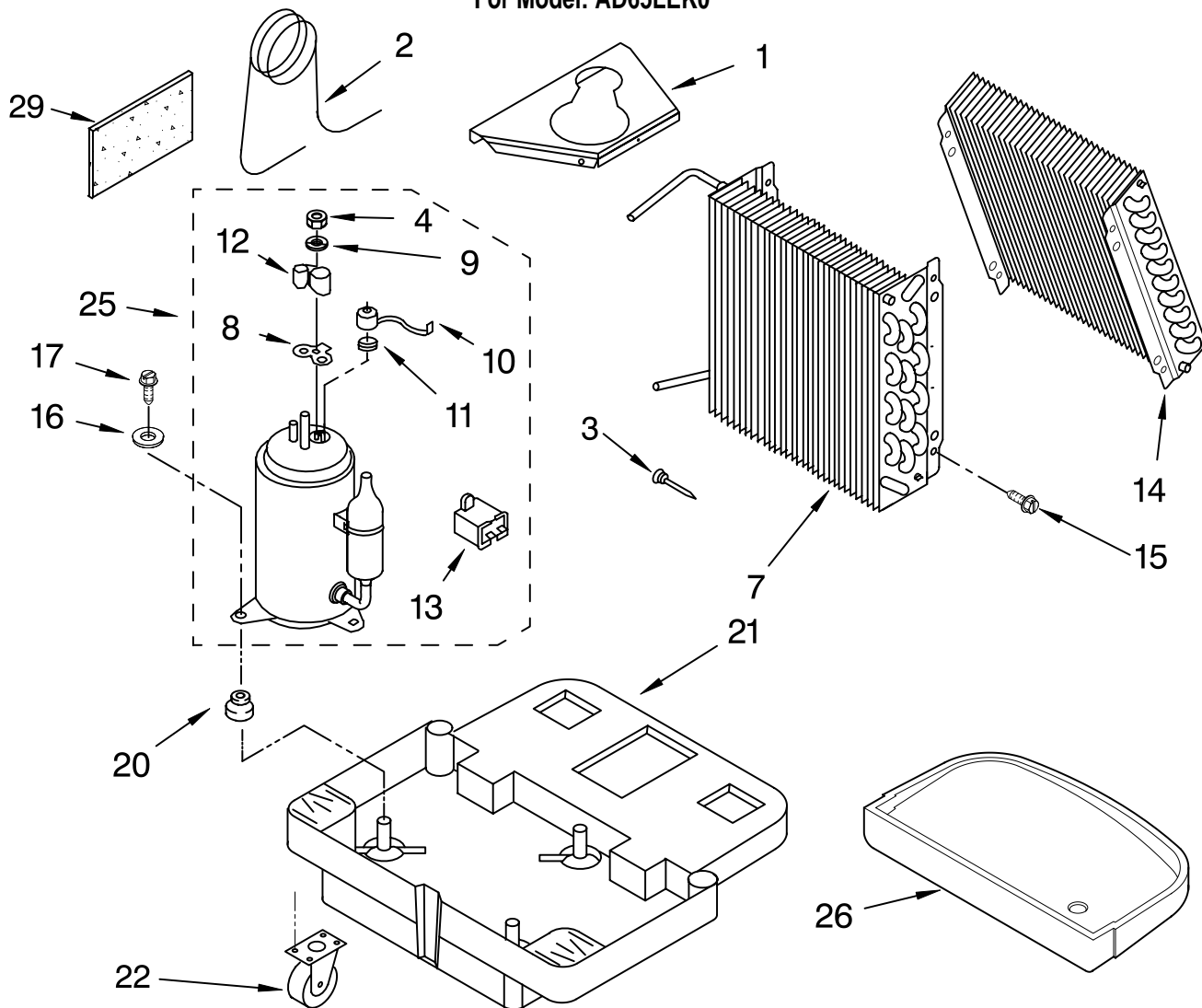


Illus. No.	Part No.	DESCRIPTION
1	LIT1183938 LIT1185020	LITERATURE PARTS Wiring Diagram Use & Care Guide
3	1184916	Assembly, Electronic Control Panel
5	488480	Screw, Sm #8 x 1/2
6	1183427	Bracket, Motor
7		Panel, Air System
	1168758	Left Side
	1168759	Right Side
10	1183426	Motor, Fan
11	1168661	Blade, Fan
12	1168681	Cover, Air System
13	1185227	Switch, Bucket Fill/Check
14	1159222	Screw, 8-18 x .295
15	1184998	Cord, Appliance
16	1168666	Plate, Orifice
17	488130	Nut
22	1180504	Relief, Strain
23	1184946	Support, Air System
25	857547	Tie, Cable
26	1168752	Brace, Support
27	1157158	Screw, 8-18 X 3/8
28	1180634	Edge Guard

FOR ORDERING INFORMATION REFER TO PARTS PRICE LIST

UNIT PARTS

For Model: AD65LEK0



Illus. No.	Part No.	DESCRIPTION	Illus. No.	Part No.	DESCRIPTION	Illus. No.	Part No.	DESCRIPTION
1	1185282	Brace, Compressor Support	11	950032	Spring, Overload	22	1164241	Caster (4)
2	1168677	Tube, Restrictor (Length 30.00")	12	950213	Cover, Terminal	25	1185010	Compressor, (Complete Assembly)
3	1162526	Strainer	13	1185333	Capacitor	26	1168761	Pan, Drain
4	950027	Nut, Hex	14	1168655	Evaporator	29	1184625	Seal, Anti-Rub (Restrictor Tube)
7	1185432	Condenser	15	488480	Screw, 8 x 1/2 (4)			
8	950035	Gasket, Terminal Cover	16	489108	Washer			
9	950037	Gasket, Nut	17	3400804	Screw			
10	1162536	Overload, Protector	20	950212	Grommet (4)			
			21	1184730	Base			

REFRIGERANT CHARGE

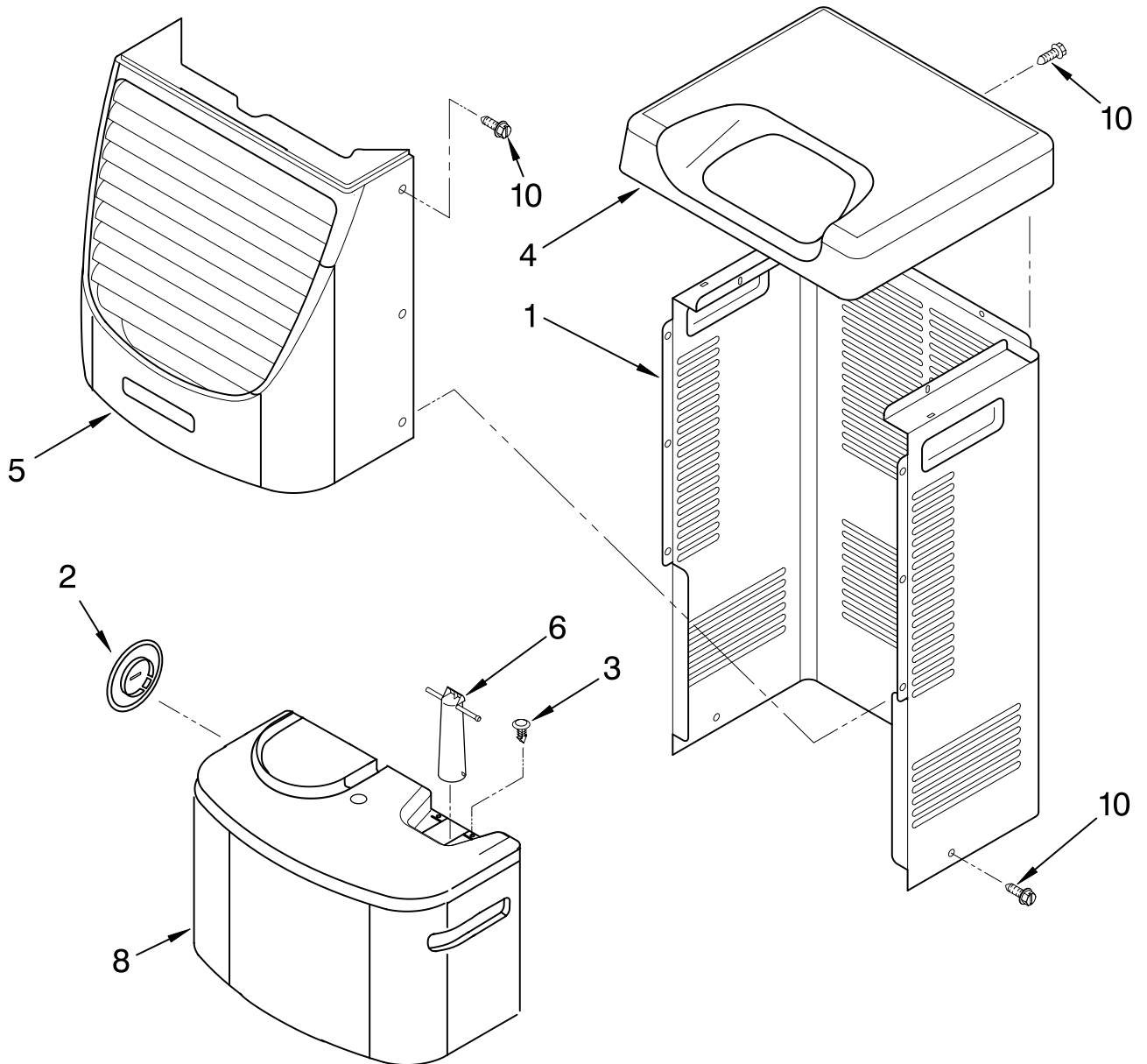
12.50 oz.

**Production Compressor Requires Production Electrical Components.
Service Compressor Requires Service Electrical Components.
For Further Information, Refer to Filmcard 19.1.**

FOR ORDERING INFORMATION REFER TO PARTS PRICE LIST

CABINET PARTS

For Model: AD65LEK0



Illus. No.	Part No.	DESCRIPTION	Illus. No.	Part No.	DESCRIPTION	Illus. No.	Part No.	DESCRIPTION
1	1168667	Cabinet	Following Parts Not Illustrated and Optional Parts Not Included			978025	1/4" Tube O.D.	
2	1172098	Cover, Hose Connection				978026	5/16" Tube O.D.	
3	1168762	Clip, Float	978027	3/8" Tube O.D.				
4	1168652	Cover, Top	978028	1/2" Tube O.D.				
5	1182600	Cover, Front	978029	5/8" Tube O.D.				
6	1172075	Float	978030	3/4" Tube O.D.				
8	1182080	Bucket, Condensate	978865	Seal, Ring Access Valve (20 Pack)				
10	1168744	Screw						

FOR ORDERING INFORMATION REFER TO PARTS PRICE LIST