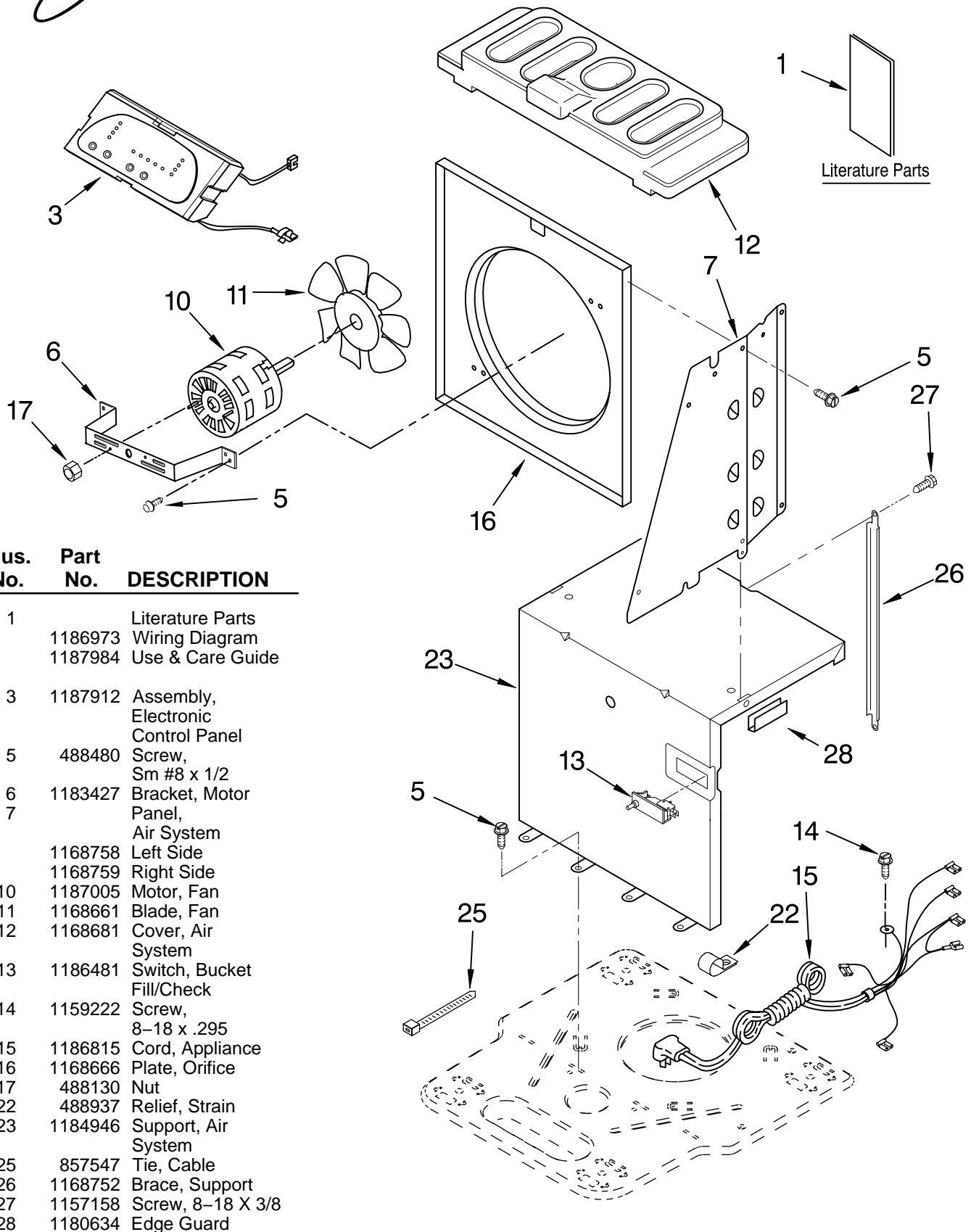




AIR FLOW AND CONTROL PARTS

For Model: AD70USR0

DEHUMIDIFIER

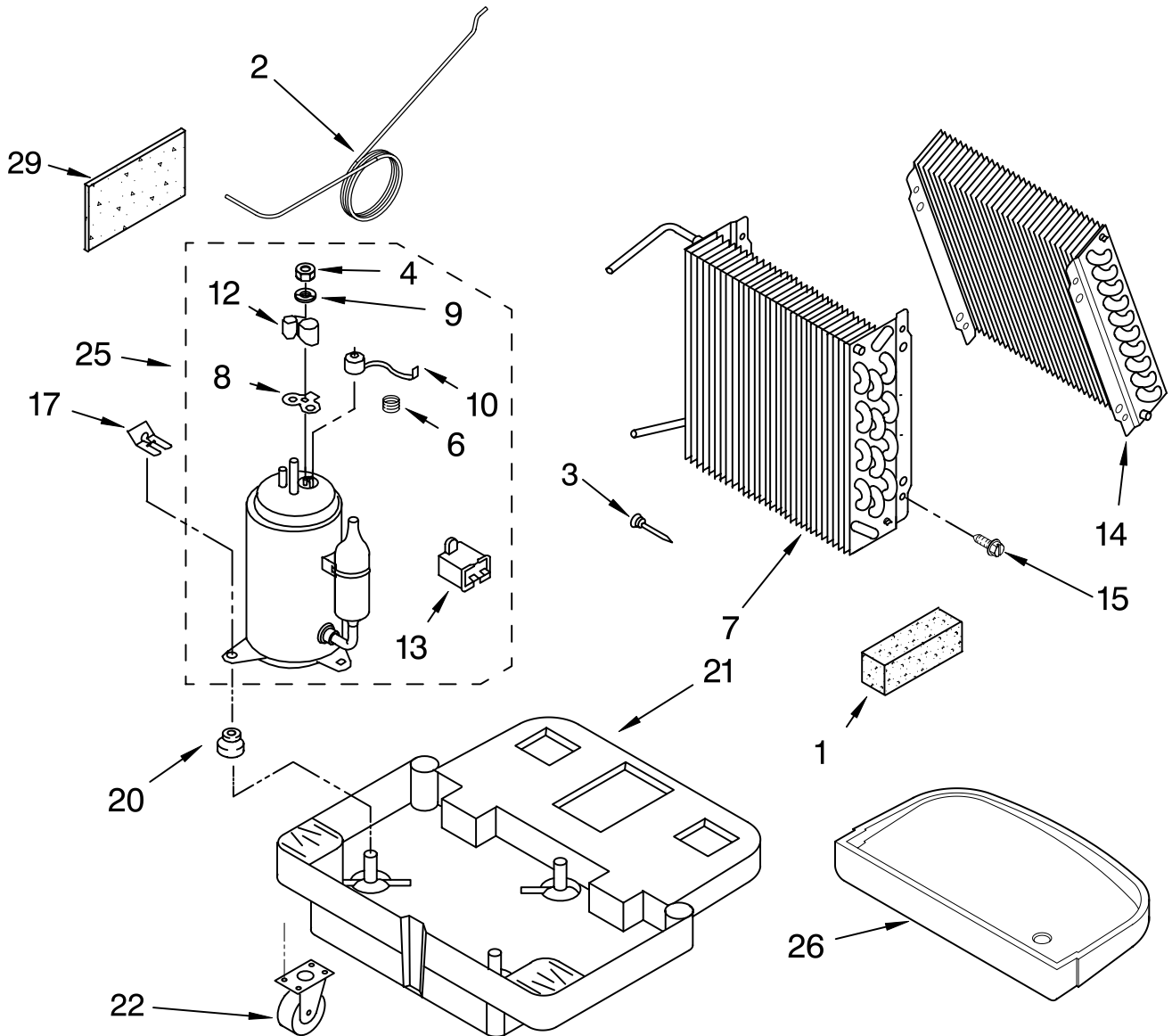


Illus. No.	Part No.	DESCRIPTION
1	1186973 1187984	Literature Parts Wiring Diagram Use & Care Guide
3	1187912	Assembly, Electronic Control Panel
5	488480	Screw, Sm #8 x 1/2
6	1183427	Bracket, Motor
7		Panel, Air System
	1168758	Left Side
	1168759	Right Side
10	1187005	Motor, Fan
11	1168661	Blade, Fan
12	1168681	Cover, Air System
13	1186481	Switch, Bucket Fill/Check
14	1159222	Screw, 8-18 x .295
15	1186815	Cord, Appliance
16	1168666	Plate, Orifice
17	488130	Nut
22	488937	Relief, Strain
23	1184946	Support, Air System
25	857547	Tie, Cable
26	1168752	Brace, Support
27	1157158	Screw, 8-18 X 3/8
28	1180634	Edge Guard

FOR ORDERING INFORMATION REFER TO PARTS PRICE LIST

UNIT PARTS

For Model: AD70USR0



Illus. No.	Part No.	DESCRIPTION
1	859600	Seal, Condenser Bottom
2	1188320	Tube, Restrictor (Length 40.00")
3	1162526	Strainer
4	1186030	Nut, Hex
6	1185795	Spring, Overload
7	1187559	Condenser
8	1185793	Gasket, Terminal Cover

Illus. No.	Part No.	DESCRIPTION
9	1185794	Washer, Nut
10	1188187	Overload, Protector
12	1185792	Cover, Terminal
13	1188137	Capacitor
14	1188326	Evaporator
15	488480	Screw, 8 x 1/2 (4)
17	8011446	Clip, Compressor
20	950212	Grommet (3)
21	1186674	Base
22	1164241	Caster (4)

Illus. No.	Part No.	DESCRIPTION
25	1188174	Compressor, (Complete Assembly)
26	1168761	Pan, Drain
29	1184625	Seal, Anti-Rub (Restrictor Tube)

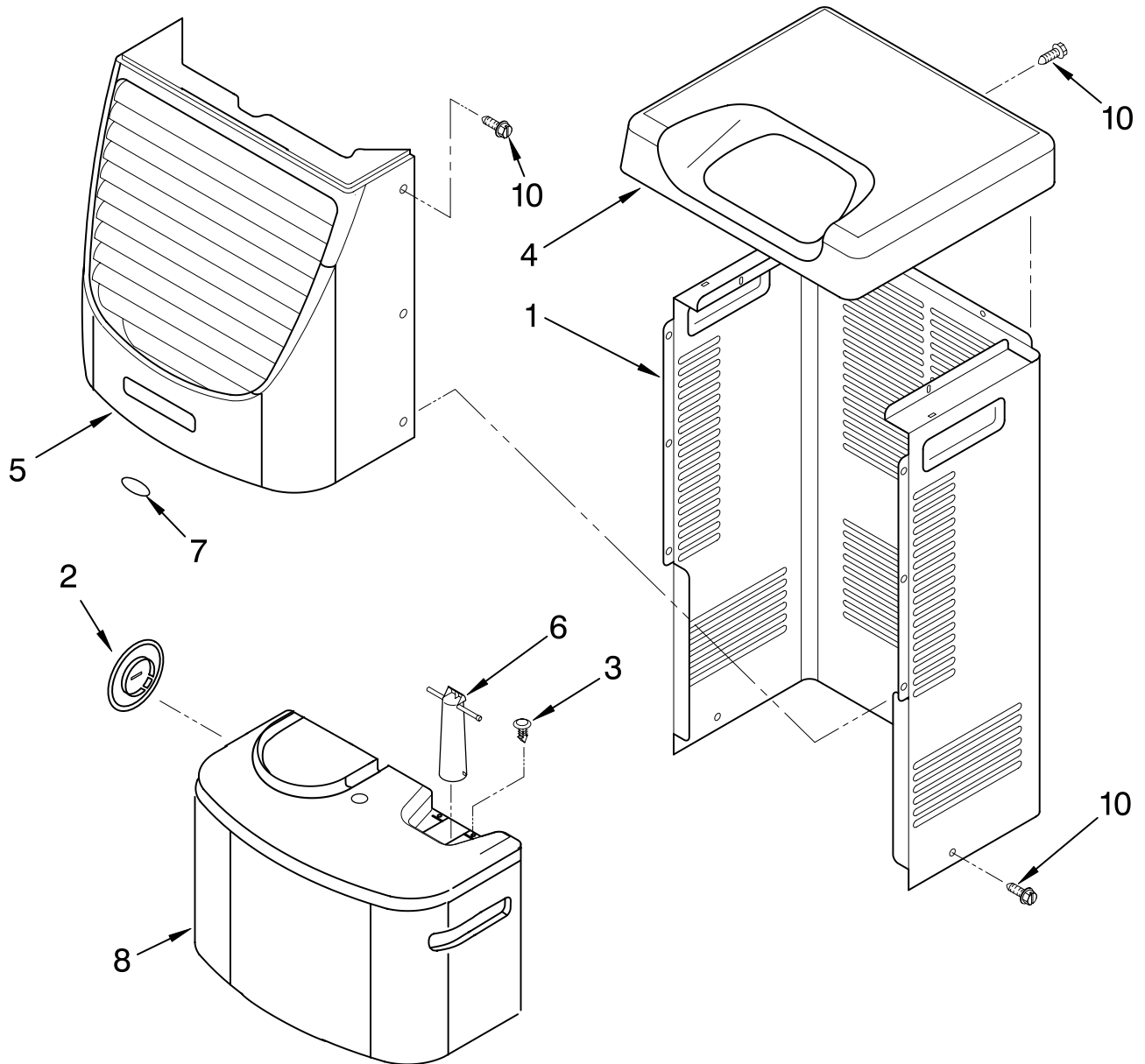
REFRIGERANT CHARGE

14.25 oz.

FOR ORDERING INFORMATION REFER TO PARTS PRICE LIST

CABINET PARTS

For Model: AD70USR0



Illus. No.	Part No.	DESCRIPTION
1	1186822	Cabinet
2	1172098	Cover, Hose Connection
3	1186430	Clip, Float
4	1168652	Cover, Top
5	1188007	Cover, Front (Includes #7)
6	1172075	Float
7	1188004	Nameplate
8	1185357	Bucket, Condensate
10	1168744	Screw

Illus. No.	Part No.	DESCRIPTION
Following Parts Not Illustrated and Optional Parts Not Included		
	484310	Epoxy, Tube (Aluminum Repair)
	505168	Tape, No Drip Valve, Access

Illus. No.	Part No.	DESCRIPTION
	978025	1/4" Tube O.D.
	978026	5/16" Tube O.D.
	978027	3/8" Tube O.D.
	978028	1/2" Tube O.D.
	978029	5/8" Tube O.D.
	978030	3/4" Tube O.D.
	978865BULK	Seal, Ring Access Valve (20 Pack)

FOR ORDERING INFORMATION REFER TO PARTS PRICE LIST