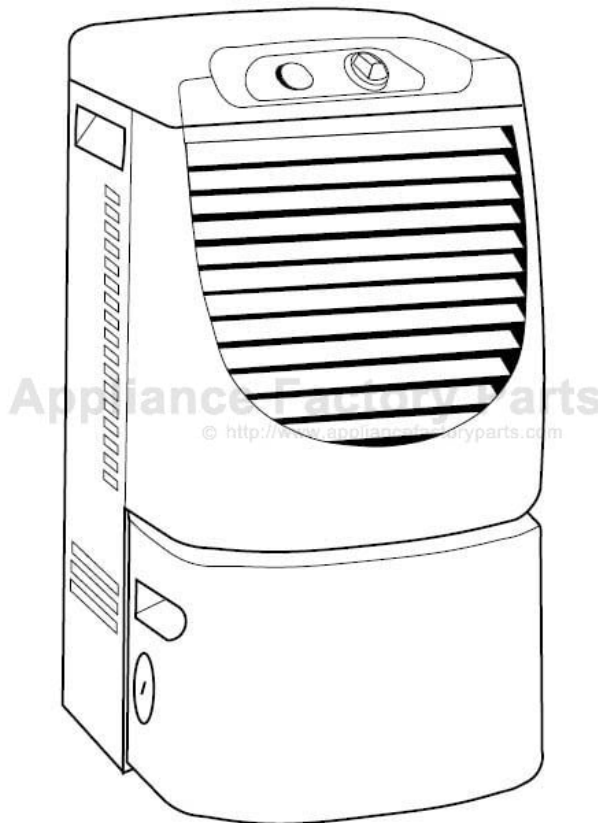


This Owner's Manual is provided and hosted by [Appliance Factory Parts](#).



WHIRLPOOL 4AD50DSL1 Owner's Manual

[Shop genuine replacement parts for WHIRLPOOL
4AD50DSL1](#)



[Find Your WHIRLPOOL Dehumidifier Parts - Select From 309 Models](#)

----- Manual continues below -----

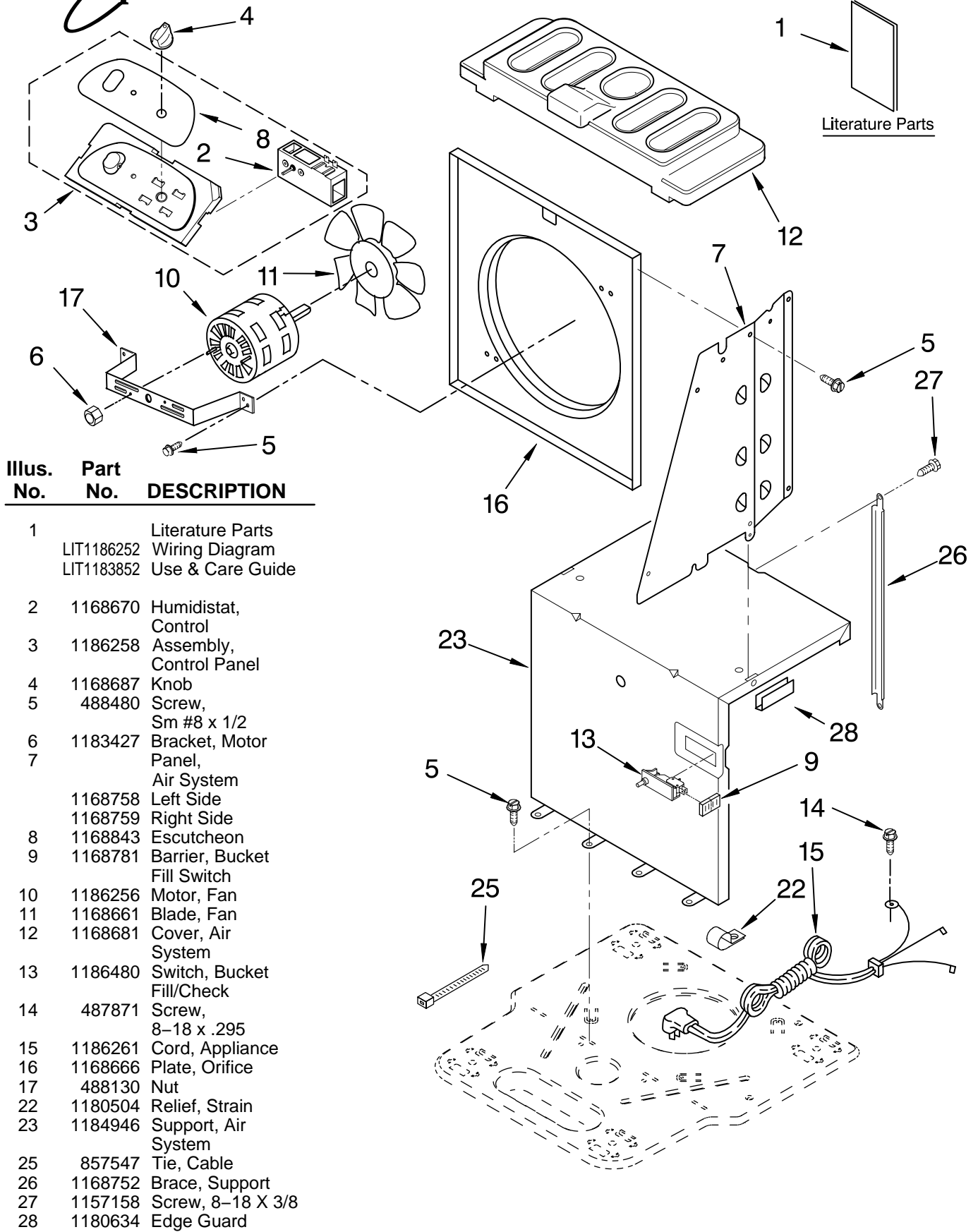


AIR FLOW AND CONTROL PARTS

For Model: 4AD50DSL1

DEHUMIDIFIER

Literature Parts

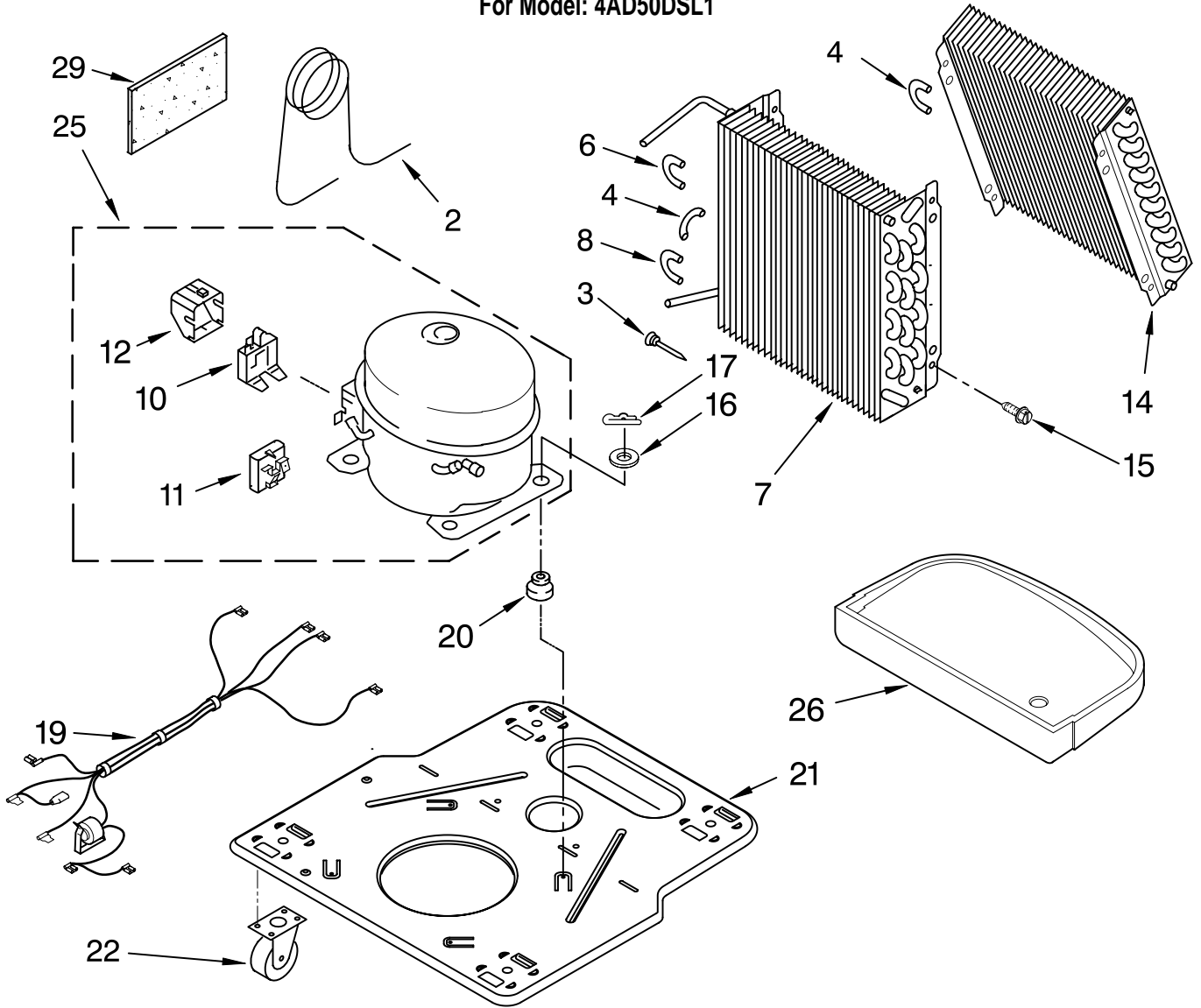


| Illus. No. | Part No. | DESCRIPTION |
|------------|--------------------------|--|
| 1 | LIT1186252 LIT1183852 | Literature Parts Wiring Diagram Use & Care Guide |
| 2 | 1168670 | Humidistat, Control |
| 3 | 1186258 | Assembly, Control Panel |
| 4 | 1168687 | Knob |
| 5 | 488480 | Screw, Sm #8 x 1/2 |
| 6 | 1183427 | Bracket, Motor |
| 7 | 1168758 1168759 | Panel, Air System Left Side Right Side |
| 8 | 1168843 | Escutcheon |
| 9 | 1168781 | Barrier, Bucket Fill Switch |
| 10 | 1186256 | Motor, Fan |
| 11 | 1168661 | Blade, Fan |
| 12 | 1168681 | Cover, Air System |
| 13 | 1186480 | Switch, Bucket Fill/Check |
| 14 | 487871 | Screw, 8-18 x .295 |
| 15 | 1186261 | Cord, Appliance |
| 16 | 1168666 | Plate, Orifice |
| 17 | 488130 | Nut |
| 22 | 1180504 | Relief, Strain |
| 23 | 1184946 | Support, Air System |
| 25 | 857547 | Tie, Cable |
| 26 | 1168752 | Brace, Support |
| 27 | 1157158 | Screw, 8-18 X 3/8 |
| 28 | 1180634 | Edge Guard |

FOR ORDERING INFORMATION REFER TO PARTS PRICE LIST

UNIT PARTS

For Model: 4AD50DSL1



| Illus. No. | Part No. | DESCRIPTION |
|------------|----------|----------------------------------|
| 2 | 1168734 | Tube, Restrictor (Length 30.00") |
| 3 | 1162526 | Strainer |
| 4 | 708532 | Bend, Return Evaporator (9) |
| 6 | 8031223 | Bend, Return Condenser (2) |
| 7 | 1184770 | Condenser |
| 8 | 8031222 | Bend, Return (15) |

| Illus. No. | Part No. | DESCRIPTION |
|------------|----------|---------------------|
| 10 | 2208172 | Overload, Protector |
| 11 | 1183843 | Relay, Start |
| 12 | 1182781 | Cover, Terminal |
| 14 | 1185204 | Evaporator |
| 15 | 488480 | Screw, 8 x 1/2 (4) |
| 16 | 680975 | Washer |
| 17 | 24364001 | Clip, Compressor |
| 19 | 1186319 | Harness, Wire |
| 20 | 1168722 | Grommet (4) |
| 21 | 1168654 | Base |
| 22 | 1164241 | Caster (4) |

| Illus. No. | Part No. | DESCRIPTION |
|------------|----------|---------------------------------|
| 25 | 1183841 | Compressor, (Complete Assembly) |
| 26 | 1168761 | Pan, Drain |
| 29 | 1184625 | Insulation (Restrictor Tube) |

REFRIGERANT CHARGE

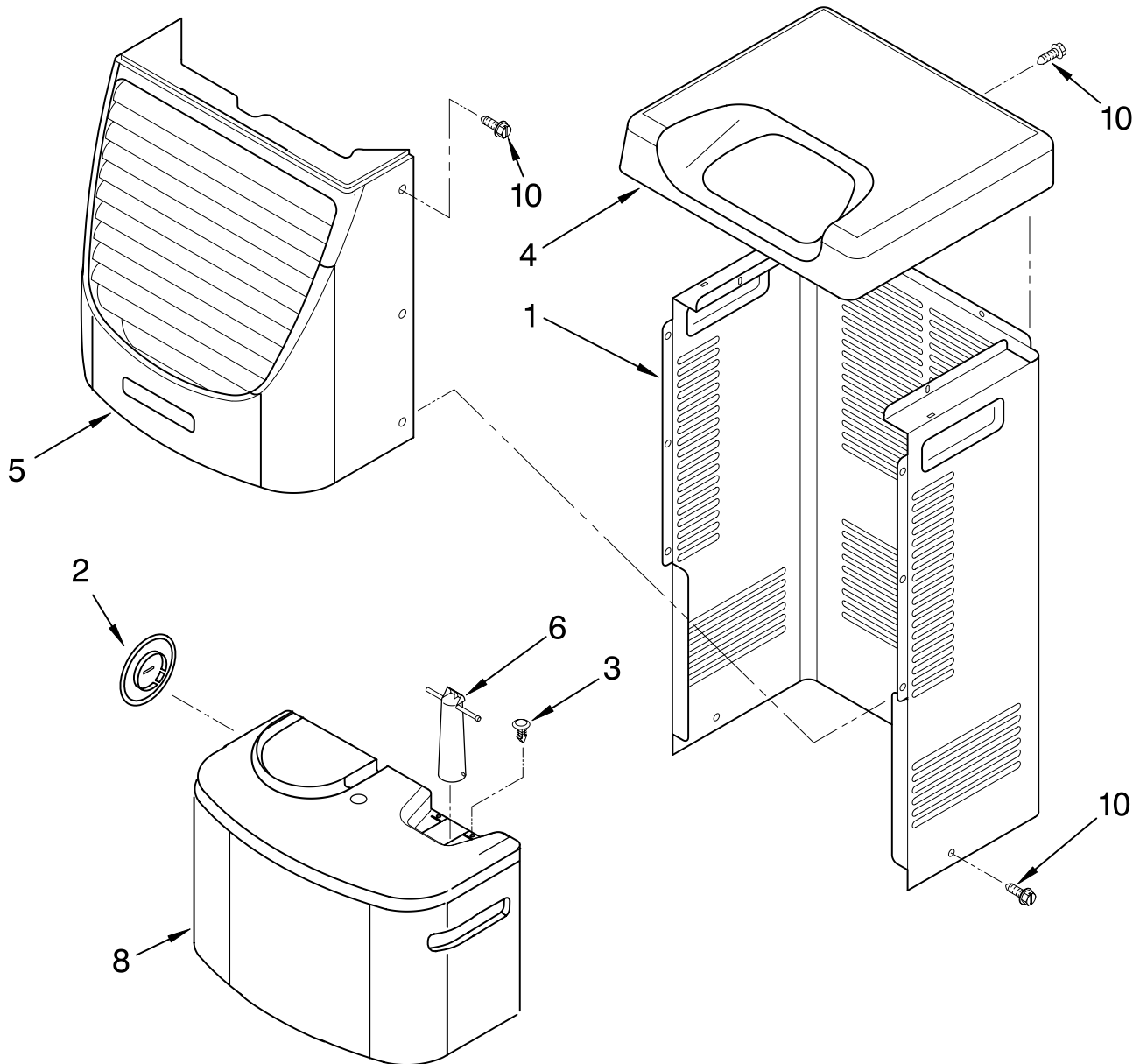
13.0 oz.

**Production Compressor Requires Production Electrical Components.
Service Compressor Requires Service Electrical Components.
For Further Information, Refer to Filmcard 19.1.**

FOR ORDERING INFORMATION REFER TO PARTS PRICE LIST

CABINET PARTS

For Model: 4AD50DSL1



| Illus. No. | Part No. | DESCRIPTION |
|------------|----------|------------------------|
| 1 | 1168667 | Cabinet |
| 2 | 1172098 | Cover, Hose Connection |
| 3 | 1186430 | Clip, Float |
| 4 | 1168652 | Cover, Top |
| 5 | 1182600 | Cover, Front |
| 6 | 1172075 | Float |
| 8 | 1182080 | Bucket, Condensate |
| 10 | 1168744 | Screw |

| Illus. No. | Part No. | DESCRIPTION |
|---|----------|-------------------------------|
| Following Parts Not Illustrated and Optional Parts Not Included | | |
| | 484310 | Epoxy, Tube (Aluminum Repair) |
| | 505168 | Tape, No Drip Valve, Access |

| Illus. No. | Part No. | DESCRIPTION |
|------------|----------|-----------------------------------|
| | 978025 | 1/4" Tube O.D. |
| | 978026 | 5/16" Tube O.D. |
| | 978027 | 3/8" Tube O.D. |
| | 978028 | 1/2" Tube O.D. |
| | 978029 | 5/8" Tube O.D. |
| | 978030 | 3/4" Tube O.D. |
| | 978865 | Seal, Ring Access Valve (20 Pack) |

FOR ORDERING INFORMATION REFER TO PARTS PRICE LIST