

## TROUBLESHOOTING

### TROUBLESHOOTING

PROBLEM	SOLUTION
Unit will not operate	<ul style="list-style-type: none"> <li>• Check to make sure unit is properly plugged in.</li> <li>• Check to make sure the unit is on by pressing the ( ⏻ ) button.</li> <li>• If the front grill does not fit properly, the unit will not operate. Make sure the filters are properly installed and make sure front grill is seated correctly.</li> </ul>
Decreased air flow	<ul style="list-style-type: none"> <li>• If the HEPA Filter Life Indicator is red, the HEPA filters need to be changed.</li> <li>• If the filters have not been changed in a year or more, change the HEPA filters.</li> <li>• Check to ensure nothing is blocking air inlet and filtered air outlet.</li> <li>• Be sure the plastic bag has been removed from the carbon filter.</li> <li>• If the carbon filter life indicator is yellow, the carbon filters need to be changed.</li> <li>• Ensure carbon filters are changed every 3-6 months.</li> </ul>

If you have any questions regarding your product or would like to learn more about other Holmes® products, please contact our Consumer Service Department at 1-800-546-5637 or visit our website at [www.holmesproducts.com](http://www.holmesproducts.com).

## WARRANTY INFORMATION

### 5 YEAR LIMITED WARRANTY

Sunbeam Products, Inc. doing business as Jarden Consumer Solutions or if in Canada, Sunbeam Corporation (Canada) Limited doing business as Jarden Consumer Solutions (collectively "JCS") warrants that for a period of five years from the date of purchase, this product will be free from defects in material and workmanship. JCS, at its option, will repair or replace this product or any component of the product found to be defective during the warranty period. Replacement will be made with a new or remanufactured product or component. If the product is no longer available, replacement may be made with a similar product of equal or greater value. This is your exclusive warranty. Do NOT attempt to repair or adjust any electrical or mechanical functions on this product. Doing so will void this warranty.

This warranty is valid for the original retail purchaser from the date of initial retail purchase and is not transferable. Keep the original sales receipt. Proof of purchase is required to obtain warranty performance. JCS dealers, service centers, or retail stores selling JCS products do not have the right to alter, modify or any way change the terms and conditions of this warranty.

This warranty does not cover normal wear of parts or damage resulting from any of the following: negligent use or misuse of the product, use on improper voltage or current, use contrary to the operating instructions, disassembly, repair or alteration by anyone other than JCS or an authorized JCS service center. Further, the warranty does not cover: Acts of God, such as fire, flood, hurricanes and tornadoes.

#### What are the limits on JCS's Liability?

JCS shall not be liable for any incidental or consequential damages caused by the breach of any express, implied or statutory warranty or condition.

Except to the extent prohibited by applicable law, any implied warranty or condition of merchantability or fitness for a particular purpose is limited in duration to the duration of the above warranty.

JCS disclaims all other warranties, conditions or representations, express, implied, statutory or otherwise.

JCS shall not be liable for any damages of any kind resulting from the purchase, use or misuse of, or inability to use the product including incidental, special, consequential or similar damages or loss of profits, or for any breach of contract, fundamental or otherwise, or for any claim brought against purchaser by any other party.

Some provinces, states or jurisdictions do not allow the exclusion or limitation of incidental or consequential damages or limitations on how long an implied warranty lasts, so the above limitations or exclusion may not apply to you.

This warranty gives you specific legal rights, and you may also have other rights that vary from province to province, state to state or jurisdiction to jurisdiction.

#### How to Obtain Warranty Service

##### In the U.S.A.

If you have any question regarding this warranty or would like to obtain warranty service, please call 1-800-546-5637 and a convenient service center address will be provided to you.

##### In Canada

If you have any question regarding this warranty or would like to obtain warranty service, please call 1-800-546-5637 and a convenient service center address will be provided to you.

## WARRANTY INFORMATION

In the U.S.A., this warranty is offered by Sunbeam Products, Inc. doing business as Jarden Consumer Solutions located in Boca Raton, Florida 33431. In Canada, this warranty is offered by Sunbeam Corporation (Canada) Limited doing business as Jarden Consumer Solutions, located at 20 B Hereford Street, Brampton, Ontario L6Y 0M1. If you have any other problem or claim in connection with this product, please write our Consumer Service Department. **PLEASE DO NOT RETURN THIS PRODUCT TO ANY OF THESE ADDRESSES OR TO THE PLACE OF PURCHASE.**

# Holmes®

## Owner's Guide

HAP726/756/8756



# TrueHEPA Allergen Remover

**PLEASE READ AND SAVE THESE IMPORTANT INSTRUCTIONS**

© 2008 Sunbeam Products, Inc. doing business as Jarden Consumer Solutions. All Rights Reserved.  
Distributed by Sunbeam Products, Inc. doing business as Jarden Consumer Solutions, Boca Raton, Florida 33431.

127115/9100040002463

HAP726/756/875608EM2

Printed In China

## IMPORTANT SAFEGUARDS

### SAFETY INSTRUCTIONS

When using electrical appliances, basic safety precautions should always be followed to reduce the risk of fire, electric shock, and injury to persons. These precautions include:

1. Read all instructions before using the appliance.
2. To avoid fire or shock hazard, plug the appliance directly into a 120V AC electrical outlet.
3. If the filter is covered by a bag when shipped, remove plastic bag before use.
4. Keep the cord out of heavy traffic areas. To avoid fire hazard, NEVER put the cord under rugs, near heat registers, radiators, stoves, or heaters.
5. To protect against electrical hazards, DO NOT immerse in water or other liquids. Do not use near water.
6. Close supervision is necessary when any appliance is used by or near children, or disabled persons.
7. Always unplug the air purifier before moving or cleaning the unit, opening the grill, changing the filters and whenever the unit is not in use. To disconnect the unit, be sure to pull the plug and not the cord.
8. NEVER drop or insert any objects into the openings of the unit.
9. Do not operate any appliance with a damaged cord or plug. If the motor fan fails to operate or the unit has been dropped or damaged in any manner, return appliance to manufacturer for examination and/or repair.
10. Use appliance only for intended household use as described in this manual. Any other use not recommended by the manufacturer may cause fire, electric shock, or injury to persons. The use of attachments not recommended or sold by the manufacturer may cause hazards.
11. DO NOT use outdoors.
12. NEVER place on a soft surface such as a bed or sofa as this could cause the unit to tip over and block the air inlet or outlet grills.
13. Keep unit away from heated surfaces and open flames.
14. DO NOT attempt to repair or adjust any electrical or mechanical functions on this unit. Doing so will void your warranty. The inside of the unit contains no user serviceable parts. All servicing should be performed by Jarden Consumer Solutions or an authorized Jarden Consumer Solutions Center.
15. DO NOT place anything on top of unit.

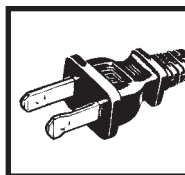
16. NEVER use detergents, gasoline, glass cleaner, furniture polish, paint thinner, or other household solvents to clean any part of the appliance.
17. Always turn the appliance off before unplugging it.
18. This appliance should only be used in a room with temperatures between 40° F and 110° F.
19. **WARNING:** To reduce the risk of fire or electric shock, DO NOT use this air purifier with any solid-state speed control device.

## PLEASE SAVE THESE IMPORTANT SAFETY INSTRUCTIONS

### PLUG SAFETY

**CAUTION:** To reduce the risk of electric shock, **THIS PRODUCT HAS A POLARIZED PLUG** (one blade is wider than the other).

This plug will fit into a polarized outlet only one way. If the plug does not fit fully into the outlet, reverse the plug. If it still does not fit, contact qualified electrician to install the proper outlet. **DO NOT ALTER THE PLUG IN ANY WAY.**



### CORD SAFETY

- The length of cord used on this appliance was selected to reduce tangling or tripping hazards.
- If a longer cord is necessary, an approved extension cord may be used. The electrical rating of the extension cord must be equal to or greater than the electrical rating of the air purifier (see rating label marked on product).
- Care must be taken to arrange the extension cord so that it will not drape over the countertop or tabletop where it can be pulled on by children or accidentally tripped over.

## FEATURES

### GET TO KNOW YOUR AIR CLEANER

Your true HEPA air cleaner removes up to 99.97% of airborne allergens as small as 0.3 microns, including ragweed pollen, grass pollen, tree pollen, household dust, dust mite debris, mold spores, pet dander and smoke from the air passing through the filter.

### FEATURES

#### Dual Position

The air purifier can stand upright or lie on its side. Also designed to fit with its back flush against the wall. When positioning the unit, please be sure the air inlet grill, filters and air outlet are not blocked to ensure maximum airflow.

#### Filter Window

On the front grill, there is a small opening that will enable you to see your carbon filter at a glance. As it picks up dust and debris, the window will turn to gray indicating the air purifier is working and you may need to change the carbon filters.



#### HEPA Filter Indicator

When the HEPA filter is approaching the end of its useful life, the indicator light will turn red. When the red indicator light starts flashing, it is time to change the HEPA filter.

#### Carbon Filter Indicator

When the carbon filter indicator light turns yellow, it is time to change the carbon filter.

#### Energy Star Rated

This product earned the ENERGY STAR by meeting strict energy efficiency guidelines set by the US EPA. US EPA does not endorse any manufacturer claims of healthier indoor air from the use of this product. The energy efficiency of each ENERGY STAR qualified model is measured based on a ratio between the model's CADR for Dust and the electrical energy it consumes, or CADR/Watt.

#### Timer

The timer allows you to run your air purifier at your convenience, for up to 16 hours. To operate using the timer mode, at the control panel on the air purifier, turn the unit on and select a speed.

To activate the timer, press the "+" and "-" speed buttons at the same time for approximately 3 seconds.

The numbers in the display will begin flashing and the light will appear to indicate timer function is on. Push "+" or "-" button to cycle through the timer options (1-16). When you have reached desired hours that you want your air purifier to run, release finger from the button; the numbers will stop flashing, timer will be on, and the screen will revert back to displaying a speed setting. The air purifier will then operate for the selected period of time and shut off automatically. Speeds can be changed once the timer is activated by pushing the "+" or "-" buttons. To view the time left to run once timer has been set, push the "+" and "-" at the same time for 3 seconds. You can manually turn the air purifier off by pressing the (⏻) button once.

### PRE-OPERATING INSTRUCTIONS

**NOTE:** The front grill should not be removed when the unit is on its side.

1. After removing the unit from the box, take the plastic covering off the unit and properly dispose of it.
2. Lay the air purifier flat on its back with the front / air intake grill pointing up.
3. Open the door of the air purifier by carefully placing fingers in indentation on the right side of the door and gently pull forward.
4. The carbon filters, which are packed in a plastic bag in the box, should be removed from plastic bag and then placed on each of the HEPA filters. The plastic tabs on the HEPA filter will hold the carbon in place (see Figure 1).
5. Replace the front grill by aligning tab on left hand side and swinging down. Gently press until front grill is firmly in place.

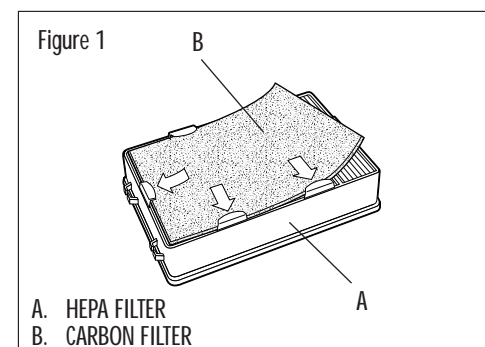


Figure 1  
A. HEPA FILTER  
B. CARBON FILTER

## OPERATIONS, CLEANING/MAINTENANCE

### OPERATING INSTRUCTIONS

1. Select location where air intake grill and filtered air outlet are not obstructed.
2. Plug into a 120V AC electrical outlet.
3. The air purifier is now ready for use. Turn the unit on by pressing the (⏻) button (the air cleaner will turn on to the highest setting). Select the desired operating speed: High (4), Medium (3), Low (2) or Sleep (1) by pushing the "+" or "-" buttons on the control panel.

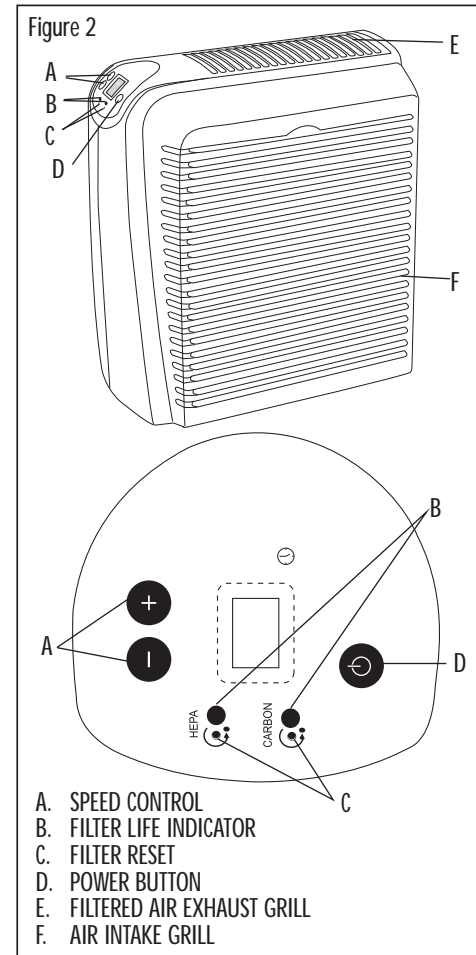


Figure 2  
A. SPEED CONTROL  
B. FILTER LIFE INDICATOR  
C. FILTER RESET  
D. POWER BUTTON  
E. FILTERED AIR EXHAUST GRILL  
F. AIR INTAKE GRILL

For continuous use, it's recommended to operate the air purifier at the MEDIUM setting. For quieter operation or use in a bedroom, select the LOW or Sleep setting. When high levels of air pollution are present, select the HIGH setting to quickly circulate and filter the room air.

### CLEANING/MAINTENANCE INSTRUCTIONS

1. Turn the air purifier off and unplug it before cleaning.
2. The outside of the air purifier can be cleaned with a soft, clean damp cloth.
3. The filtered air outlet / top air vent can be cleaned of dust with a small, soft brush.
4. If you wish to clean the inside of the air purifier, please remove filters and only use a dry, soft cloth to wipe it down.
5. DO NOT wash filters.

**WARNING:** Do not allow moisture to come in contact with the main housing of the air purifier.

### FILTER REPLACEMENT INSTRUCTIONS

1. On average, HEPA filters need to be replaced every 12-18 months. Carbon filters need to be replaced every 3-6 months. Filter life will vary depending on air quality and usage.
2. Turn off and unplug the air purifier before attempting to replace the filters.
3. To access filter compartment, open front grill door by placing fingers in the indentation on the right side of the door, gently pull to the right before pulling forward (see Figure 3).
4. Remove each of the filters from the unit by pulling gently towards you.
5. To replace the carbon filter, simply remove the old carbon filter and insert a new carbon filter in its place after first removing the plastic bag. Using the plastic tabs as a guideline (see Figure 1).
6. To replace the HEPA filter, discard the old HEPA filters. DO NOT attempt to clean. Put the carbon filter back on the new HEPA filter. Insert the new HAPF600 HEPA filter into the unit, by sliding it onto the hang tabs (see Figure 4).

## REPLACEMENT FILTER

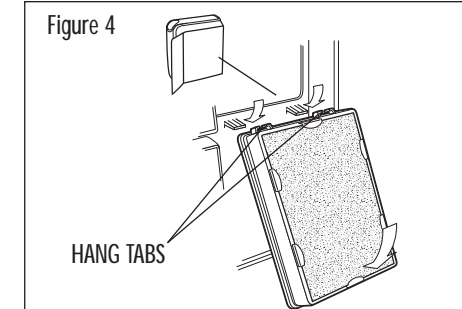
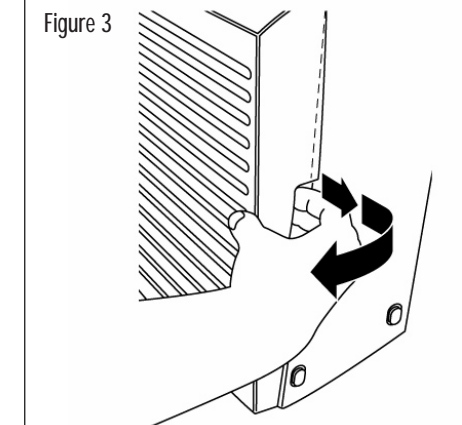


Figure 3

Figure 4

### REPLACEMENT FILTERS ARE AS FOLLOWS:

**NOTE:** Carbon and HEPA Filters are not washable and should be replaced at the recommended intervals.

Air Cleaner Model Number	Filter Quantity Needed	Filter Model Number	Filter Description
HAP726-U	2	HAPF600 HAP600D B filter	True HEPA Filter
HAP756-U HAP8756-U	3	HAPF600 HAP600D B filter	True HEPA Filter
HAP726-U	2	HAPF60 C filter	Carbon filter
HAP756-U HAP8756-U	3	HAPF60 C filter	Carbon filter

**NOTE:** Filters can be purchased at a retailer near you or by calling 1-800-546-5637.

7. After replacing the filters, RESET the Filter Life Indicator by inserting a small object (such as a paper clip) into the hole below the filter change light marked reset (⏻). The red LED is the HEPA filter light and the yellow LED is the carbon filter light.