

This Owner's Manual is provided and hosted by [Appliance Factory Parts](#).



COOLERATOR AR1000XF0 Owner's Manual

[Shop genuine replacement parts for COOLERATOR
AR1000XF0](#)

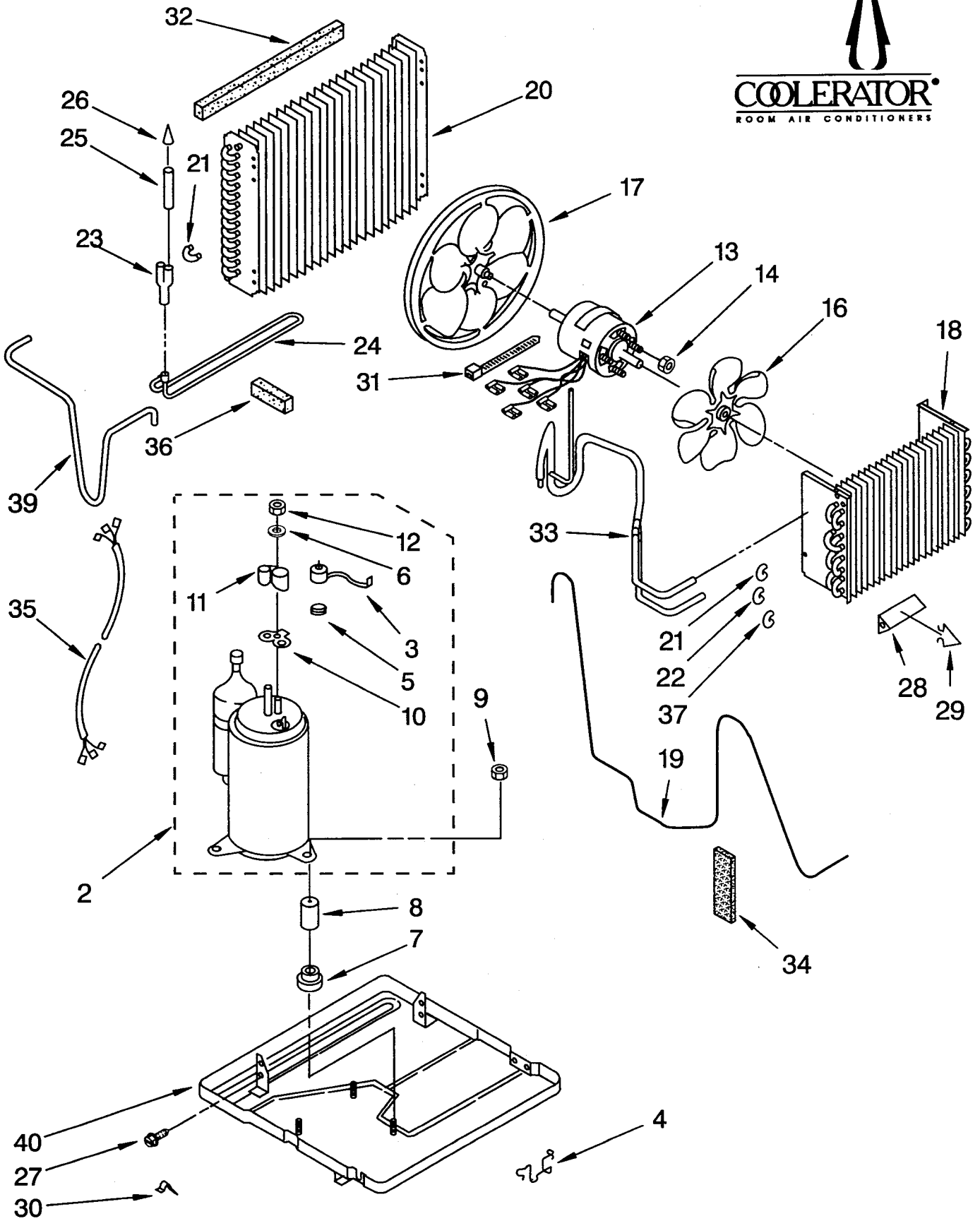
[Find Your COOLERATOR Air Conditioner Parts - Select From 61 Models](#)

----- Manual continues below -----

UNIT PARTS

For Model: AR100XA0

AIR CONDITIONER



9/94

2	1163572	Compressor
3	951865	Overload
4	949634	Clip, Cabinet Front Mtg (2)
5	950032	Spring, Overload
6	950037	Gasket, Nut
7	950021	Grommet, Compressor Mounting (3)
8	950020	Sleeve, Compressor Mounting (3)
9	858121	Nut, Lock (3)
10	950035	Gasket, Terminal Cover
11	950036	Cover, Terminal
12	950027	Nut, Hex
13	1164696	Motor, Fan
14	488130	Nut, Hex Keps 8-32 (4)
16	1161594	Blade, Fan (Evaporator)
17	1160946	Blade, Fan (Condenser)
18	1164692	Evaporator
19	1164700	Tube, Restrictor
20	1160065	Condenser
21	708531	Bend, Return Evaporator (6) Condenser (13)
22	708532	Bend, Return Evaporator (1)
23	947364	Tube, Flow Divider
24	1160032	Tube, Extension
25	951437	Tube, Outlet (Includes No. 26)
26	49599	Strainer, Tube
27	488480	Screw, SM #8 x 1/2A (7)
28	996773	Anticipator, Temperature
29	475577	Clip, Temperature Anticipator
30	642684	Clamp, Tube
31	857547	Tie, Cable
32	948090	Seal, Condenser Top
33	1164706	Tube, Suction
34	1162616	Seal, Anti-Rub
35	484136	Harness, Wiring
36	859600	Seal, Condenser Bottom
37	1158407	Bend, Return (1)
39	1161574	Tube, Discharge
40	950019	Base

LITERATURE PARTS

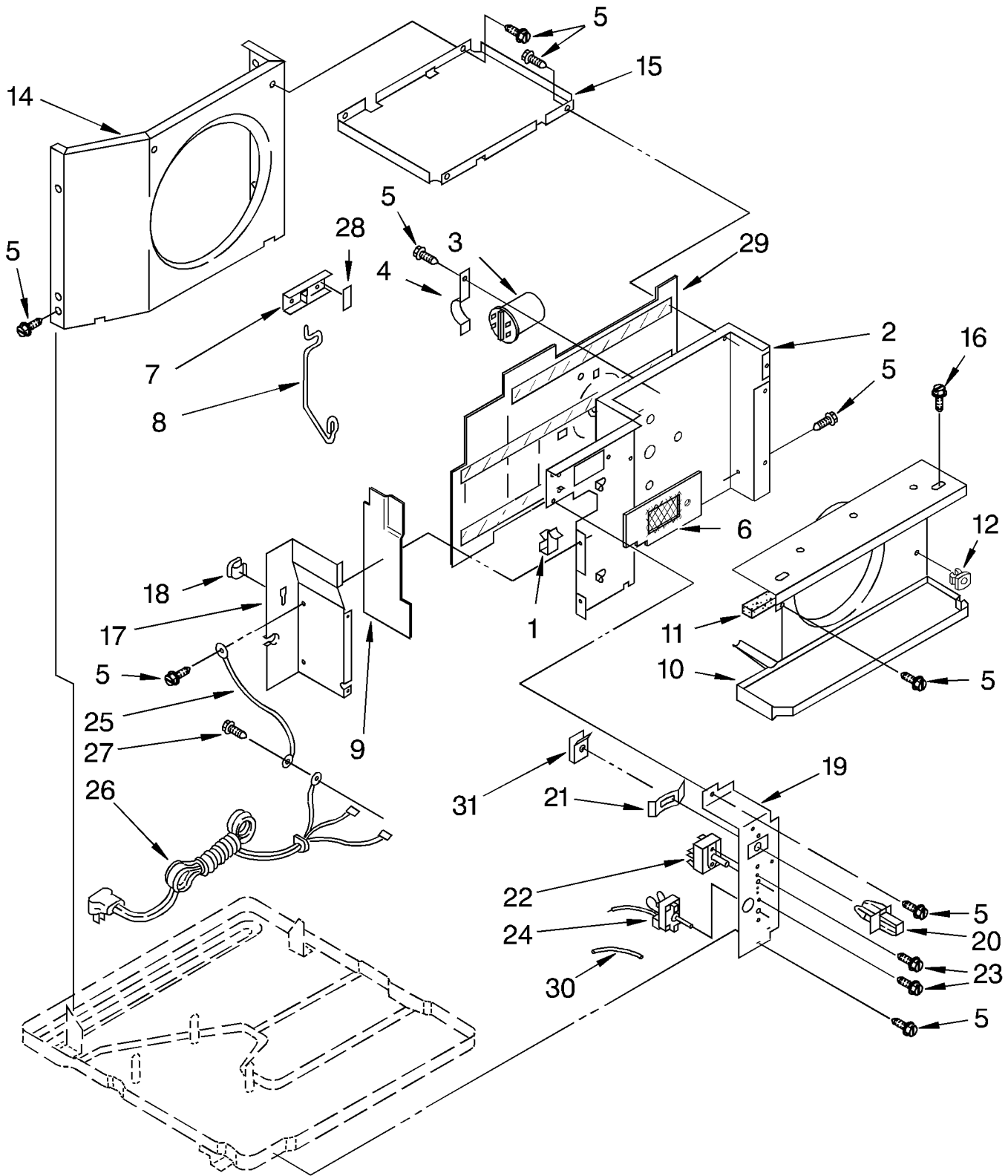
LIT1155974	Installation Instructions
LIT1165237	Tech Sheet
LIT1165234	Wiring Diagram
LIT1156767	Operation Guide

REFRIGERANT CHARGE 19.25 OZ.

Production Compressor Requires Production Electrical Components. Service Compressor Requires Service Electrical Components. For Further Information, Refer to Filmcard 19.1.

AIR FLOW AND CONTROL PARTS

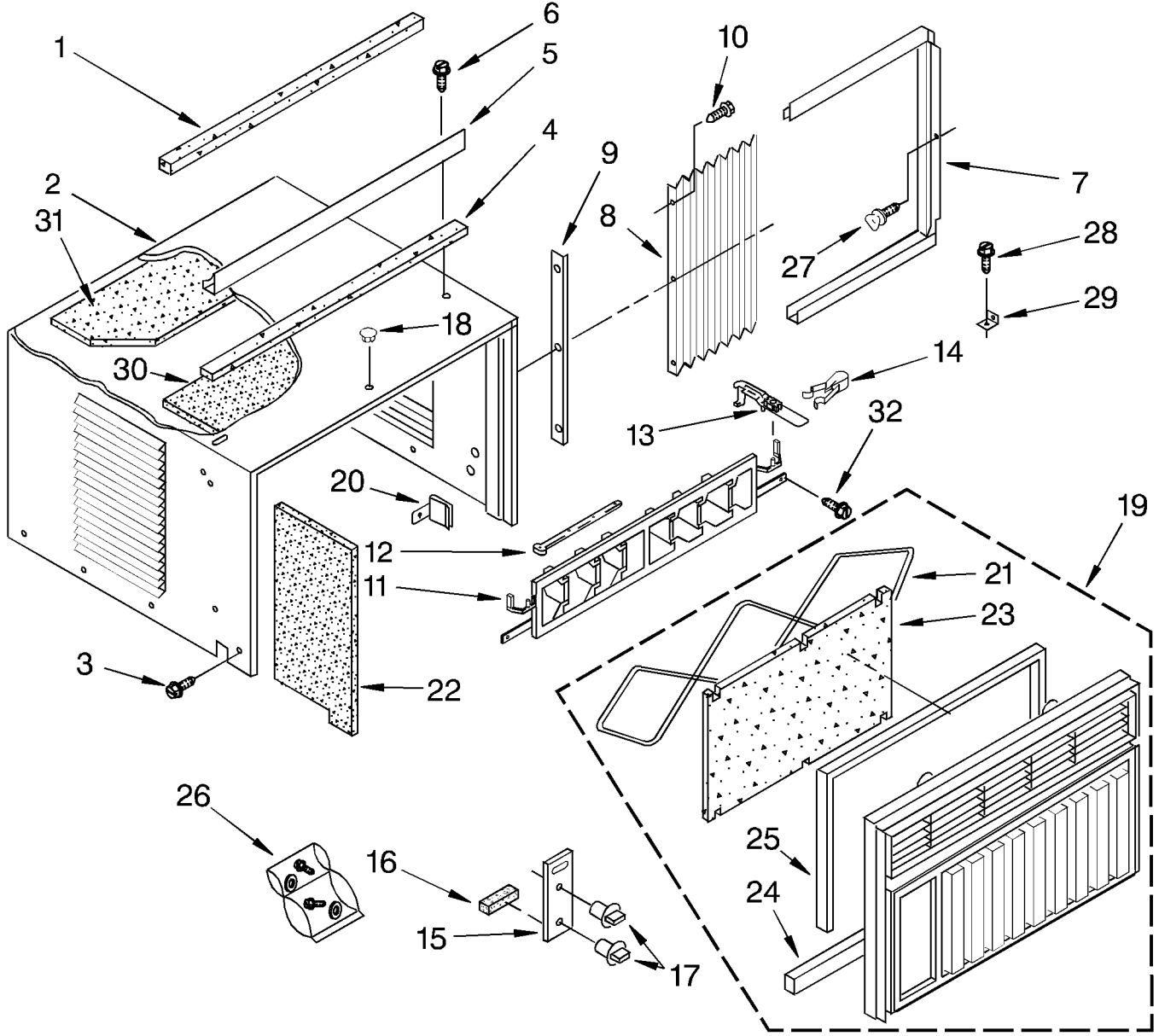
For Model: AR100XA0



1	852451	Clamp, Cable
2	1165182	Wall, Dividing
3	1162594	Capacitor, Running
4	1162954	Bracket, Running Capacitor
5	488480	Screw, S.M.#8 x 1/2
6	1162926	Screen/Insulation Asy.
7	644206	Door, Exhaust
8	856042	Arm, Exhaust Door
9	1163514	Insulation, Dividing Wall Ext.
10	948219	Shroud, Evaporator (Includes No.11)
11	948220	Insulation, Evaporator Cover
12	487808	Fastener, Snap
14	856037	Shroud, Condenser
15	1156536	Support, Unit (2)
16	487910	Screw, S.M.#8 x 1/2 (2)
17	994561	Extension, Dividing Wall
18	644401	Retainer, Clip
19	996966	Panel, Control
20	953066	Actuator, Door
21	858765	Spring, Detent
22	1165243	Switch, Rotary
23	488734	Screw, Machine 6-32 x .175 (4)
24	949431	Control, Temperature
25	856094	Wire, Ground
26	1165241	Cable, Appliance
27	487871	Screw, ST 8-32 x 3/8
28	1159175	Spacer
29	1163432	Insulation, Dividing Wall
30	475841	Insulator, Sleeve
31	1162627	Clip, Exhaust Door Linkage

CABINET PARTS

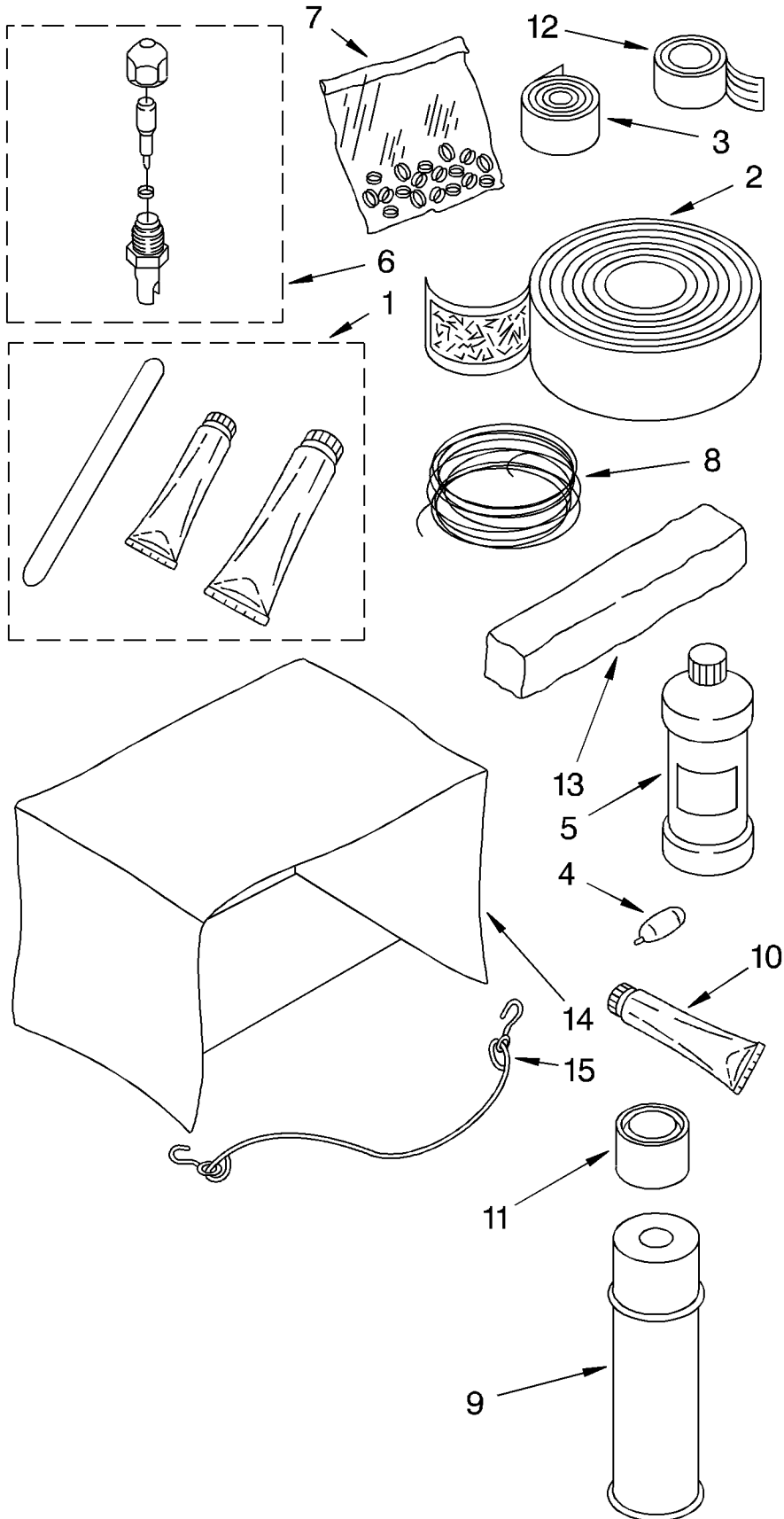
For Model: AR1000XA0



1	469877	Seal, Meeting Rail
2	1163513	Cabinet
3	1157158	Screw, ST #8 x 3/8 (8)
4	856989	Seal, Strip
5	993786	Channel, Top Mounting
6	488720	Screw, SM #10 x 1/2AB (3)
7	1164155	Housing, Curtain R.S. (Includes #8)
	1164154	Housing, Curtain L.S. (Includes #8)
8	947160	Curtain (2)
9	644224	Retainer, Curtain (2)
10	1161561	Screw, 3/8 SG
11	1159980	Louver, Vertical
12	855158	Link, Vertical Louver (2)
13	1161636	Handle, Vertical Louver (2)
14	644006	Spring, Detent (2)
15	1165451	Plate, Escutcheon
16	470036	Spacer, Escutcheon Plate (2)
17	1165774	Knob, Control (2)
18	1157126	Cover, Hole
19	1165516	Front, Cabinet
20	1158294	Clip, Vertical Louver (2)
21	646963	Retainer, Filter
22		Insulation,
	1163430	(Right Side)
	1163431	(Left Side)
23	855246	Filter, Air
24	852923	Seal, Cabinet Front
25	645883	Seal, Strip (Top & Sides)
26	476180	Bag, Accessory
27	475581	Screw, Thumb (2)
28	488255	Screw, Round Head Wood #8 x 3/4 (1)
29	644228	Bracket, Window Lock
30	1163429	Insul. Cabinet Top
31	1158501	Insul. Cabinet
32	1159222	Screw

OPTIONAL PARTS (NOT INCLUDED)

For Model: AR1000XA0



1	799833	Epoxy, Tube (Aluminum Repair)
2	505168	Tape, No Drip 30'
3	479502	Tape, Vinyl 36'
4	10943	Oil, Turbine 1 Fl. Oz.
5	99243	Oil, Turbine 8 Fl. Oz.
6		Valve, Access
	876764	3/16" Tube O.D.
	978025	1/4" Tube O.D.
	978026	5/16" Tube O.D.
	978027	3/8" Tube O.D.
	978028	1/2" Tube O.D.
	978029	5/8" Tube O.D.
	978030	3/4" Tube O.D.
7	978865	Seal, Ring Access Valve (20-Pack)
8		Wire, 25'Roll
	10875	Blue 16 Ga.
	242820	Black 14 Ga.
	242825	Red 14 Ga.
	242826	White 14 Ga.
	47261	Black 12 Ga.
	299885	Red 12 Ga.
	47263	White 12 Ga.
9	813684	Adhesive, Insulation (24 Oz. Spray)
10	279368	Adhesvive, Insulation (2 Oz. Tube)
11	485426	Paint, Touch-up Starlight Gray 1/2 Pint (Lacquer)
12	212643	Sealer, Permagum 4-1" Strips
13	99344	Sealer, Permagum 1 Lb. Bar
14		Cover, Winter
	484066	28 x 19 x 31"
	484067	19 x 12 x 14"
	484069	27 x 19 x 6 to 27"
	484184	22 x 15 x 3 to 18"
15	813610	Retainer, Cord (Winter Cover)