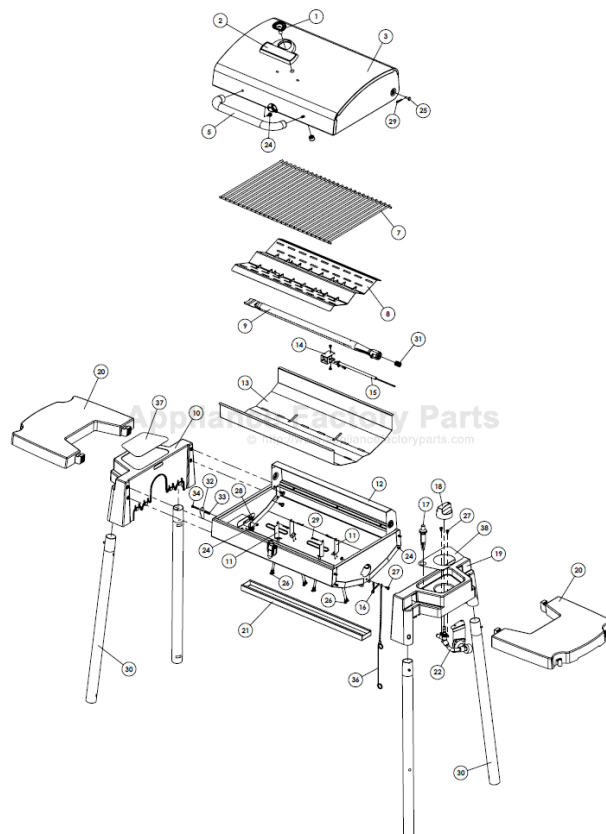


This Owner's Manual is provided and hosted by Appliance Factory Parts.



Broil King 8001-14 Owner's Manual

[Shop genuine replacement parts for Broil King 8001-14](#)



[Find Your Broil King Grill Parts - Select From 1348 Models](#)

----- Manual continues below -----



PORTA-CHEF BARBECUES

ASSEMBLY MANUAL & PARTS LIST

MANUEL DE MONTAGE & LISTE DE PIÈCES



8001-14



8003-14



8003-24



8003-34

RETAIN FOR FUTURE REFERENCE

VEUILLEZ CONSERVER POUR REFERENCE ULTERIEURE

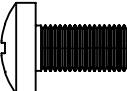
1-800-265-2150

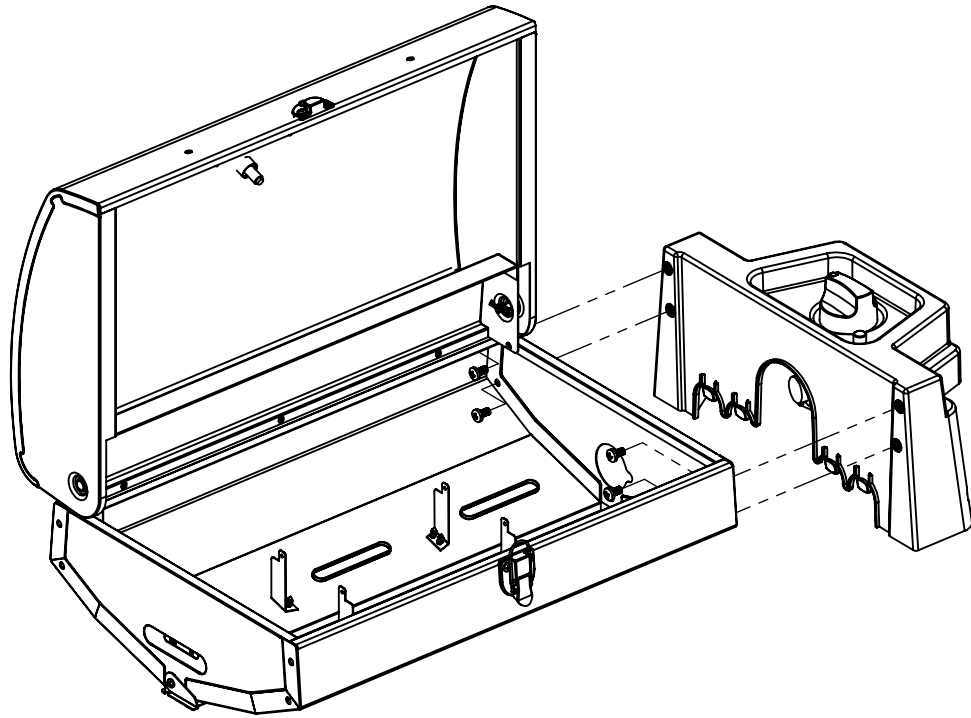
info@omcbbq.com

Onward
MANUFACTURING COMPANY
SINCE 1906
585 KUMPF DRIVE LIMITED
WATERLOO, ONTARIO, CANADA
N2V 1K3

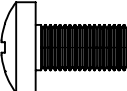
11412275 REV B 12/09

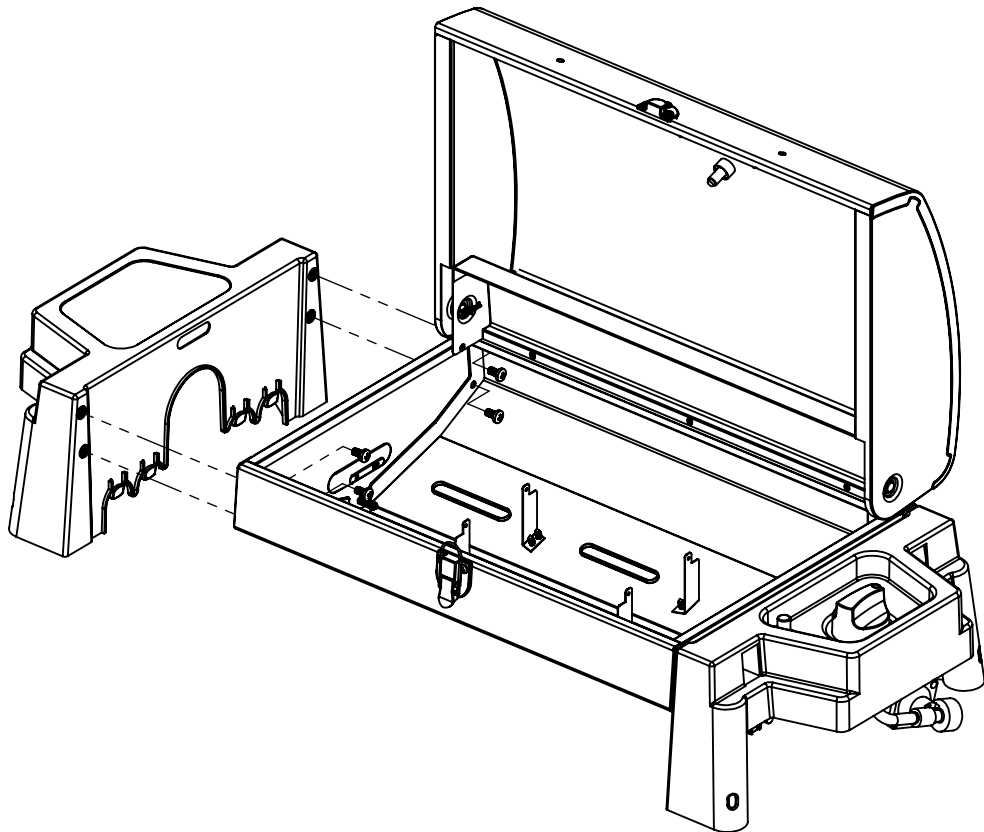
1

(4) 

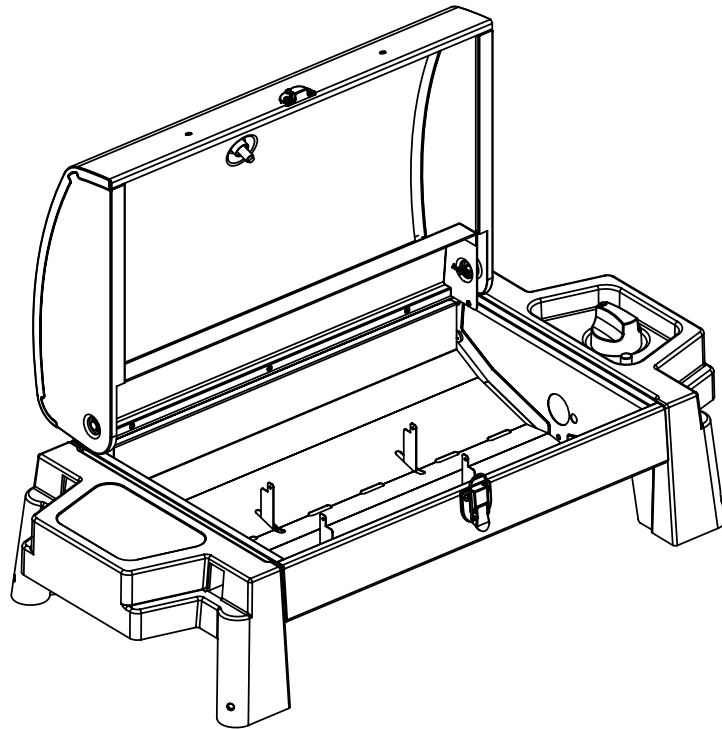
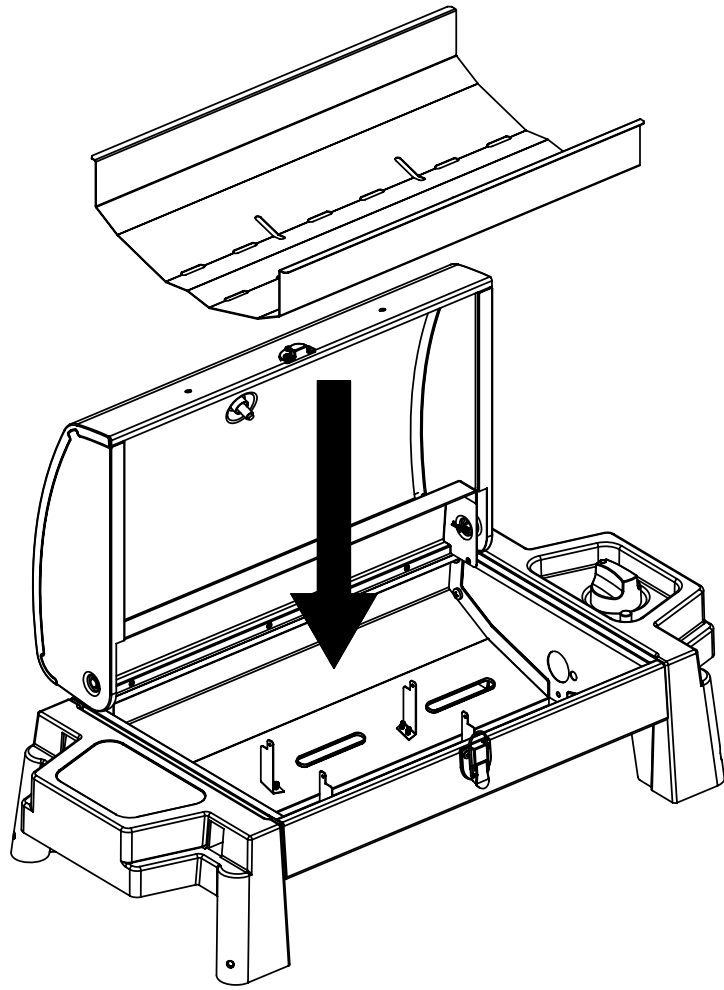


2

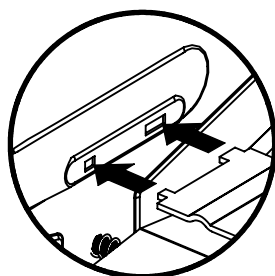
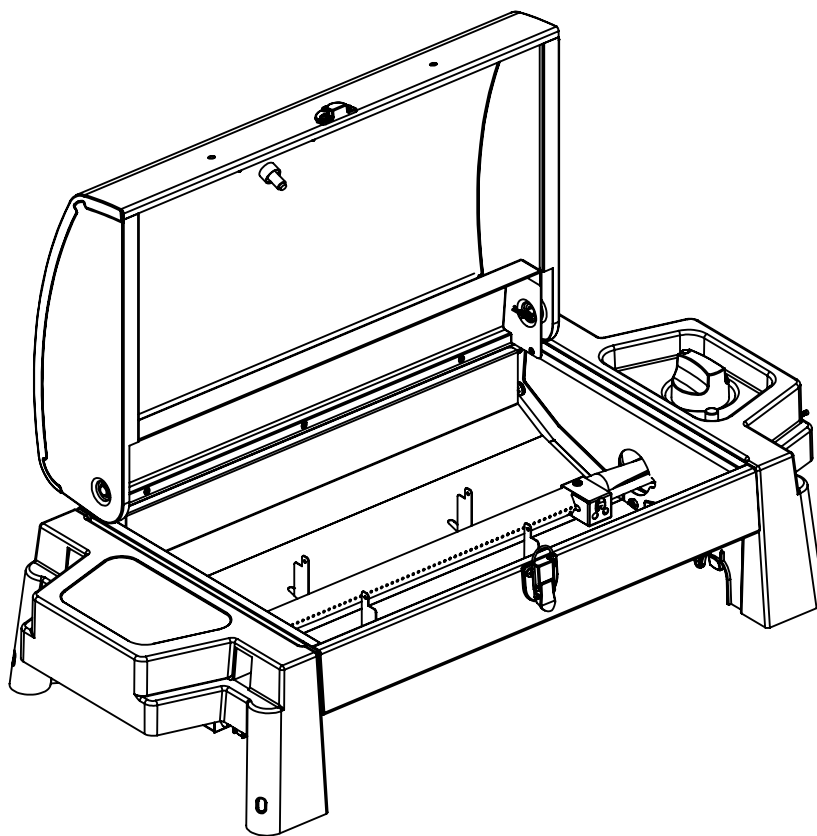
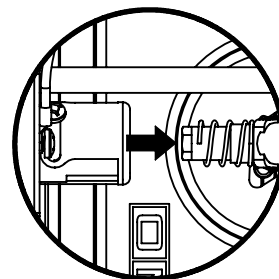
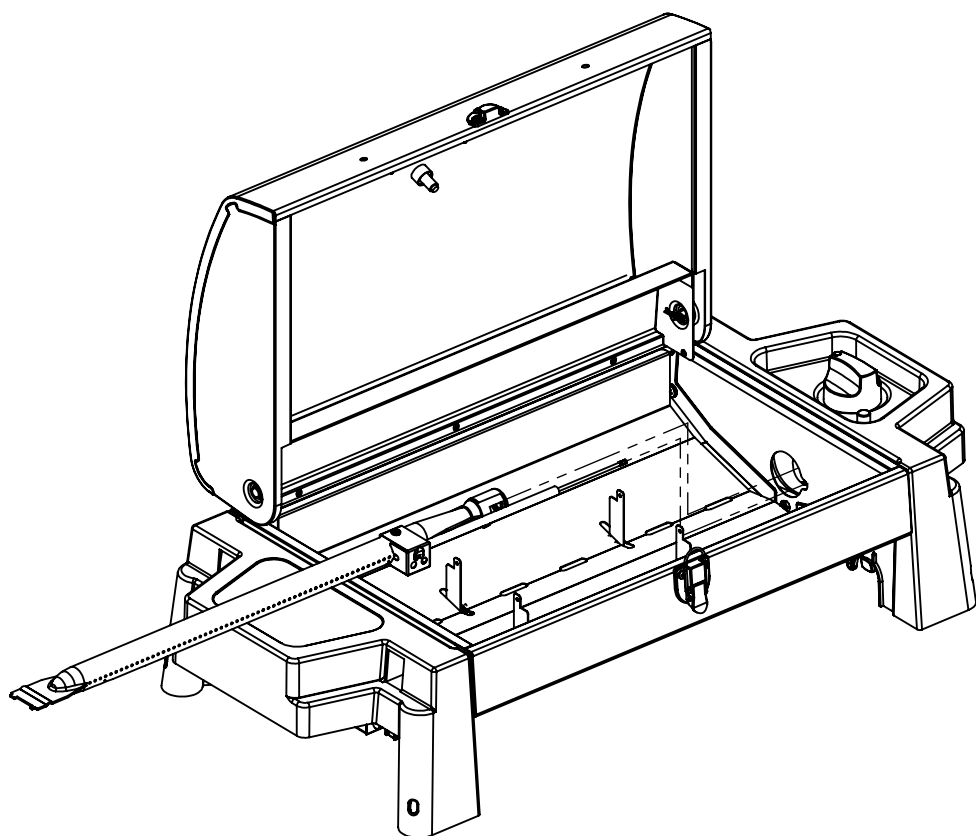
(4) 



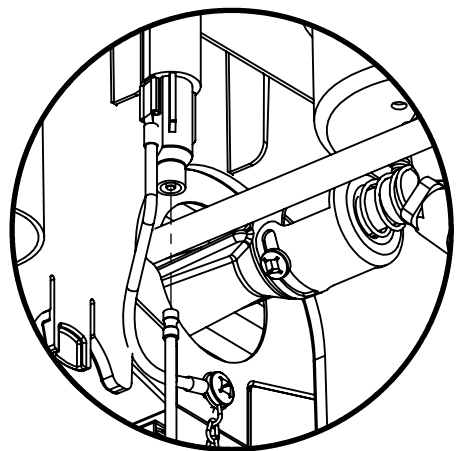
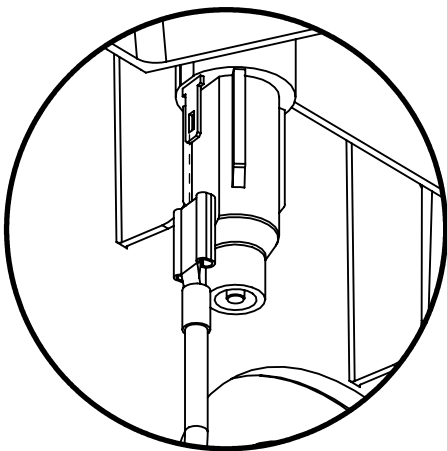
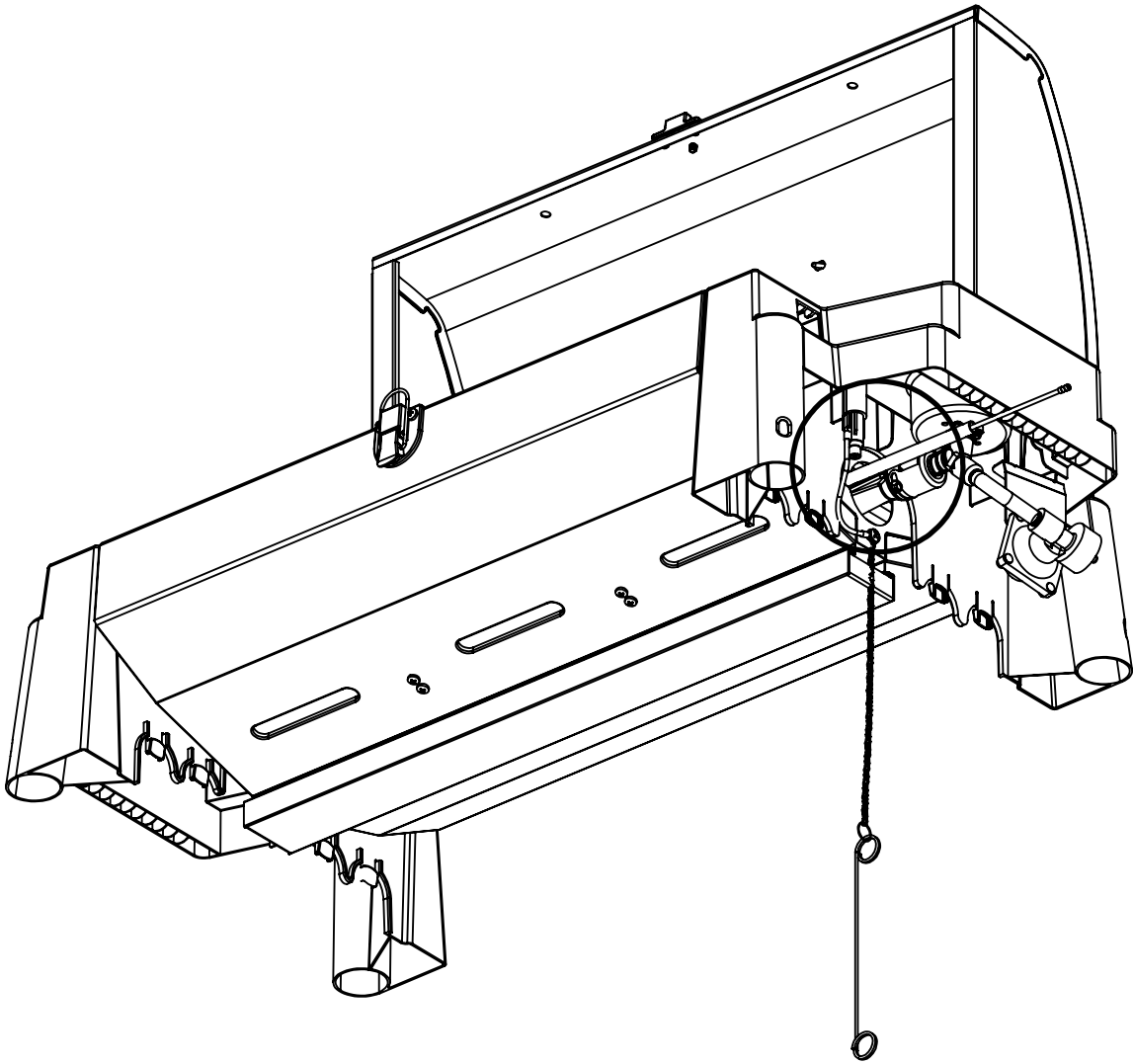
3



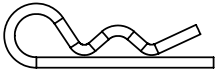
4

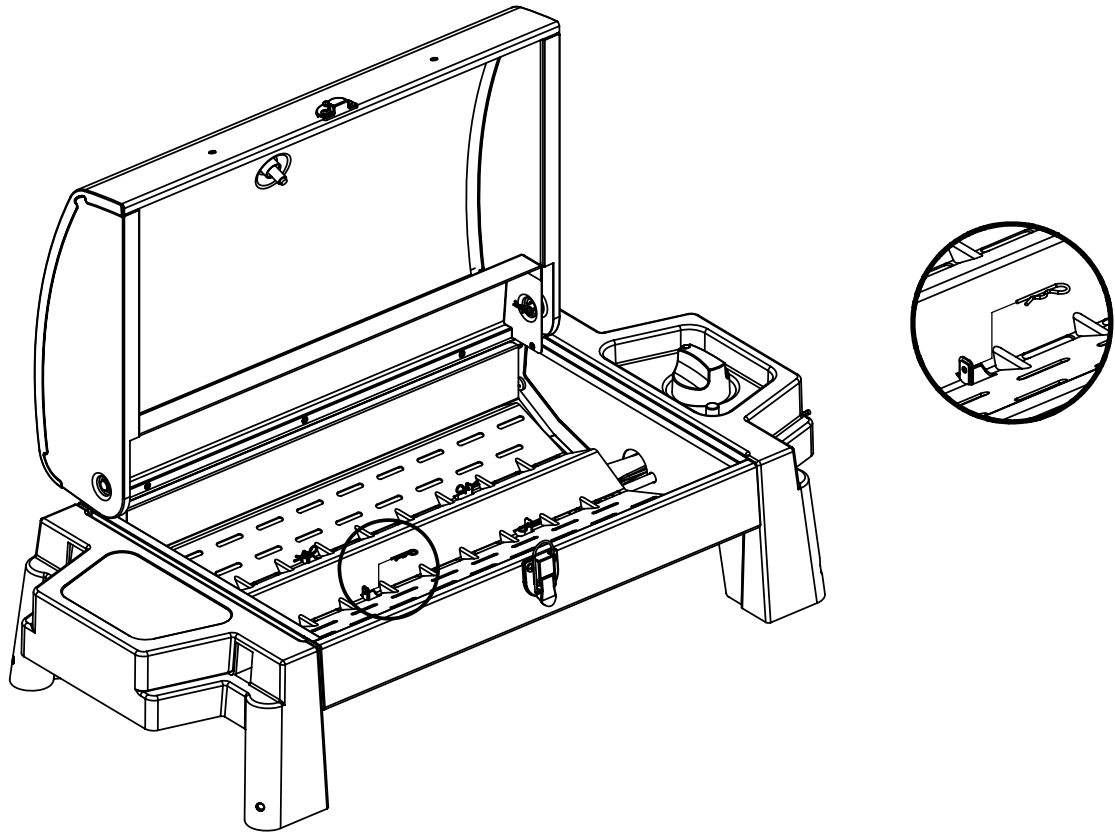
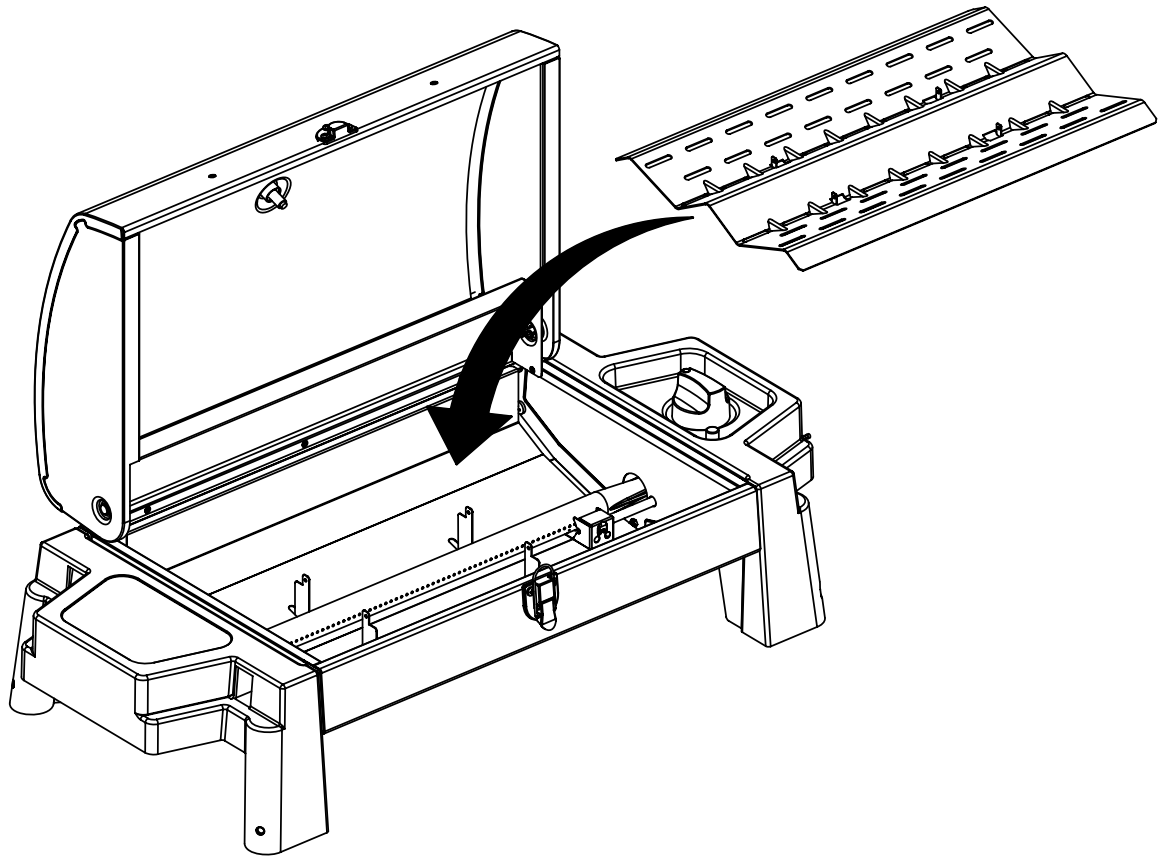


5



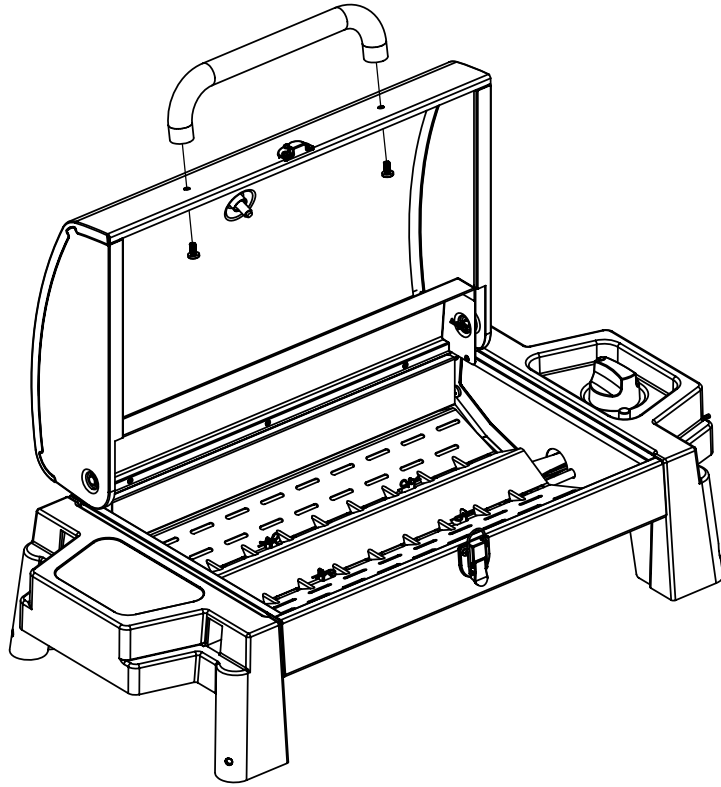
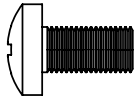
6

(4) 

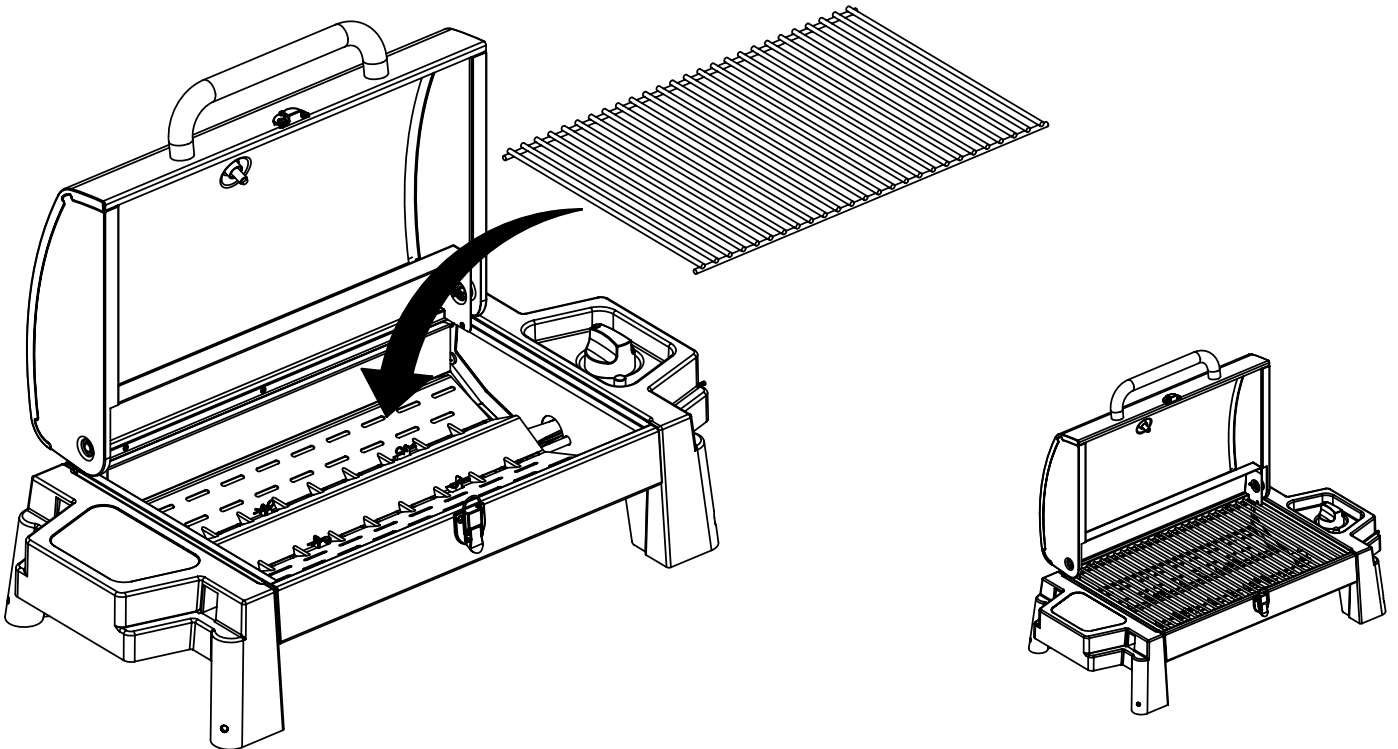


7

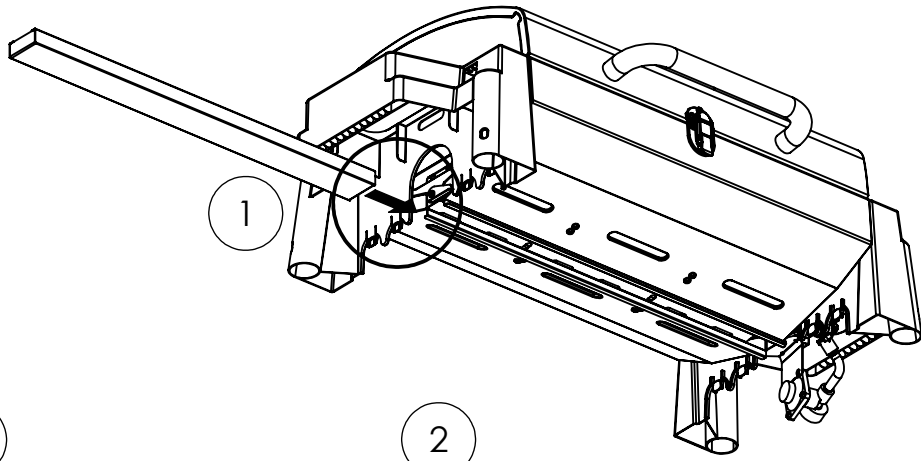
(2)



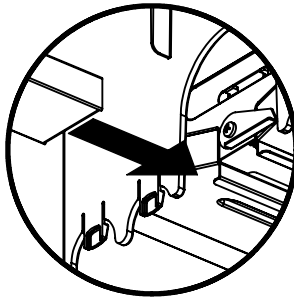
8



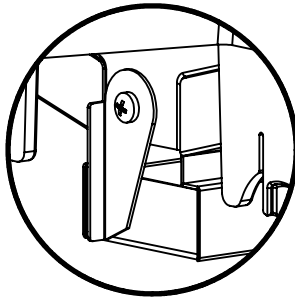
9



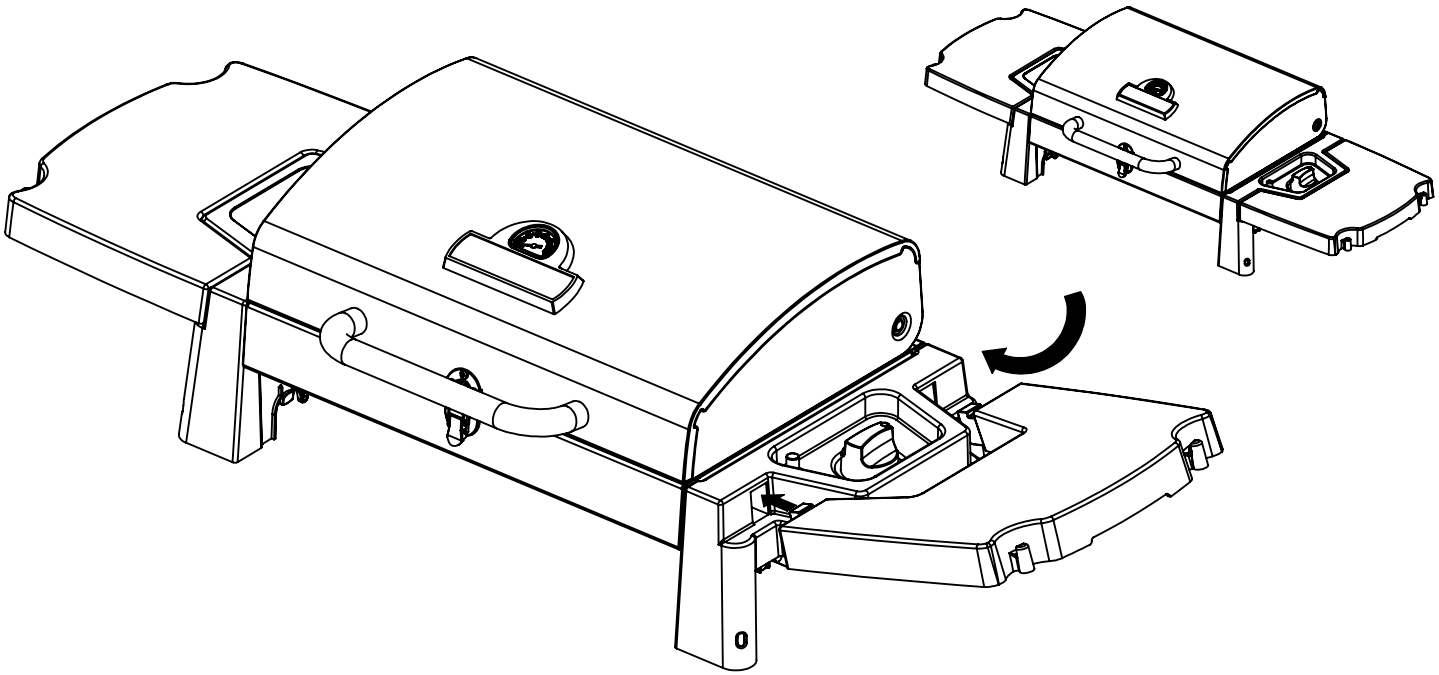
1



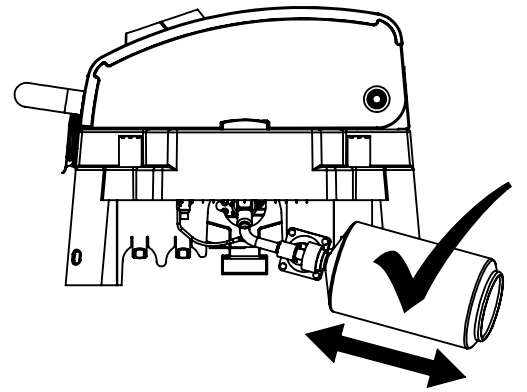
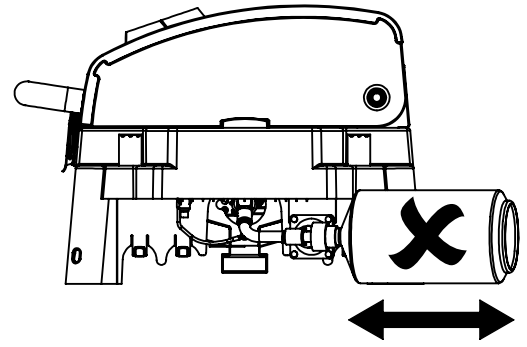
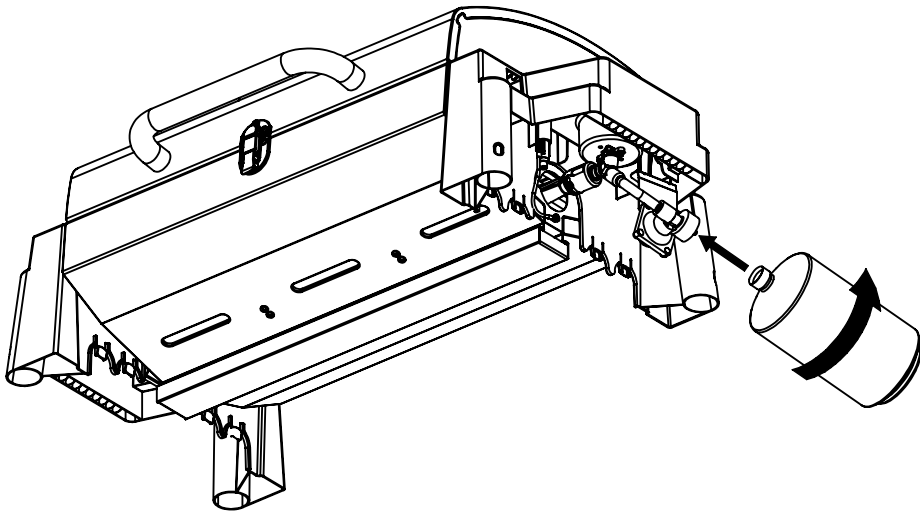
2



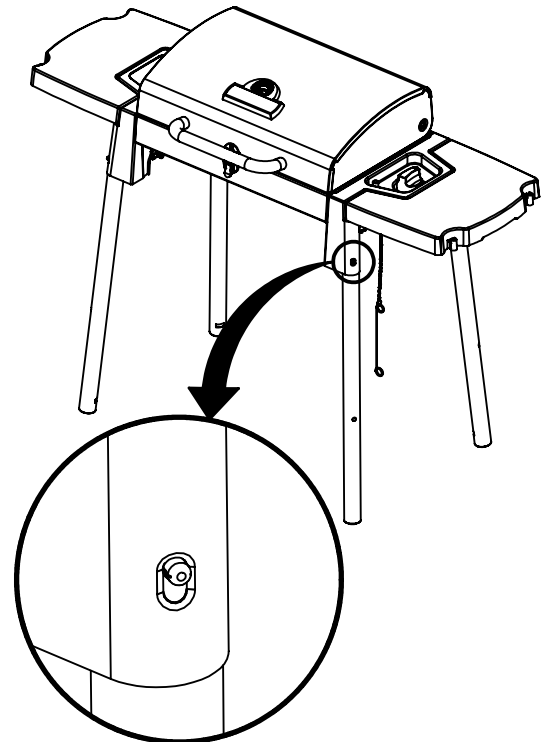
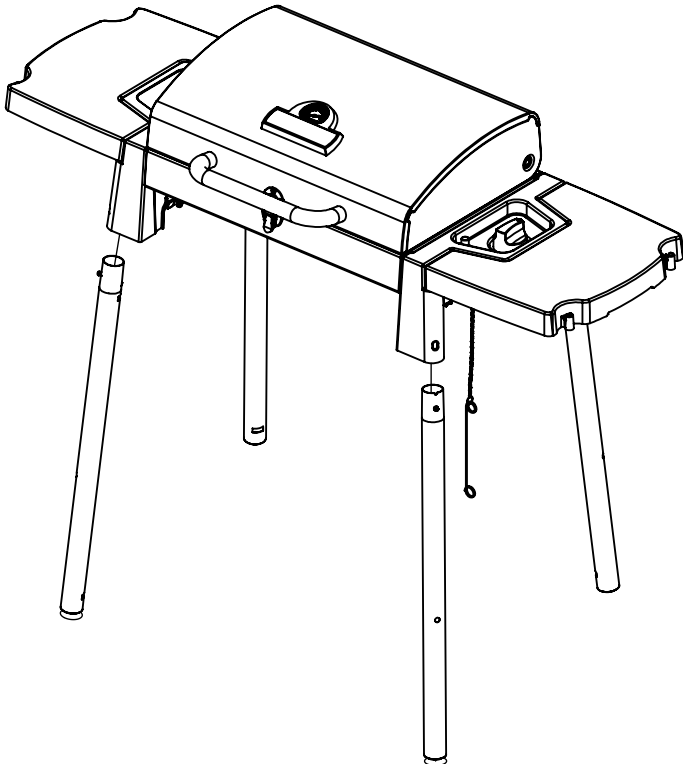
10



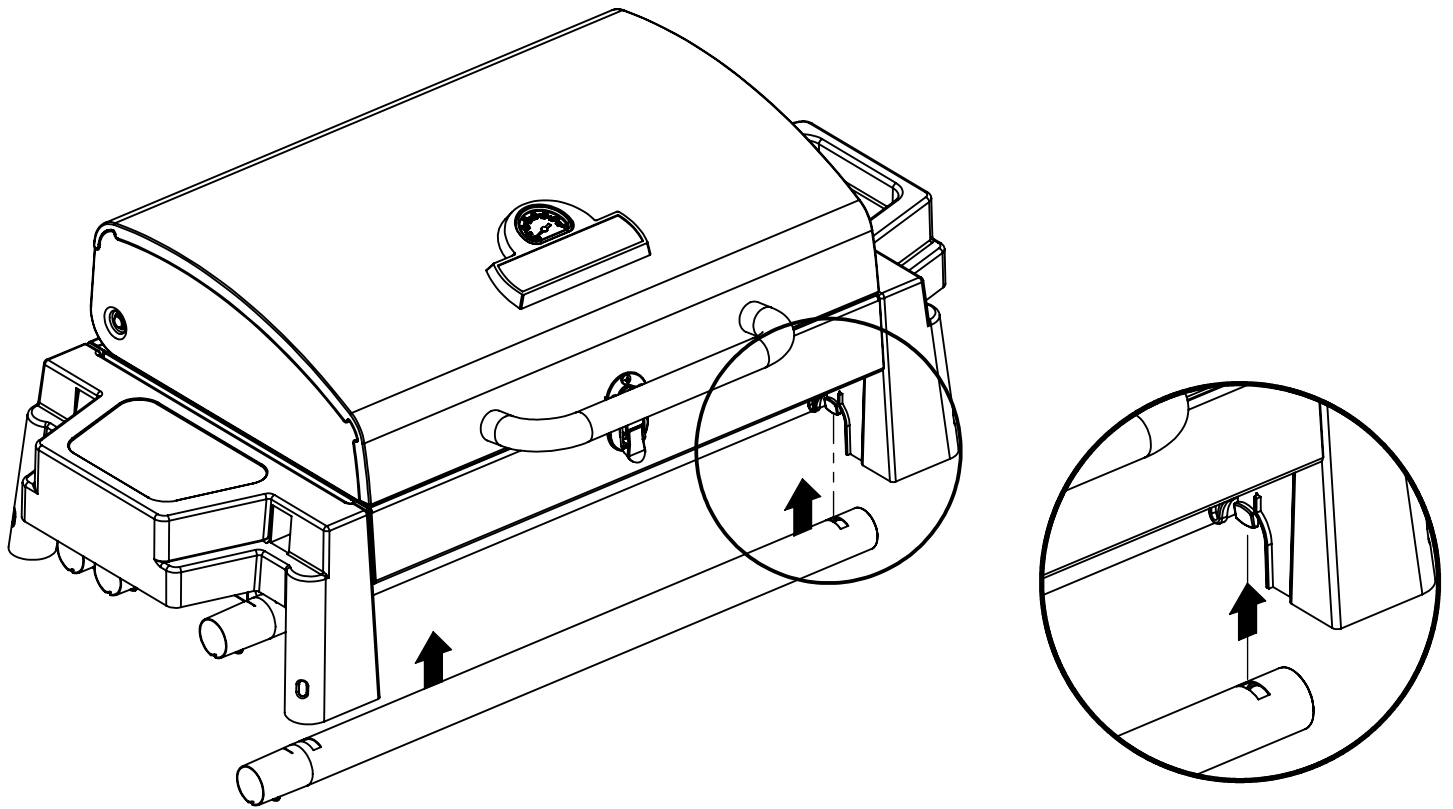
11



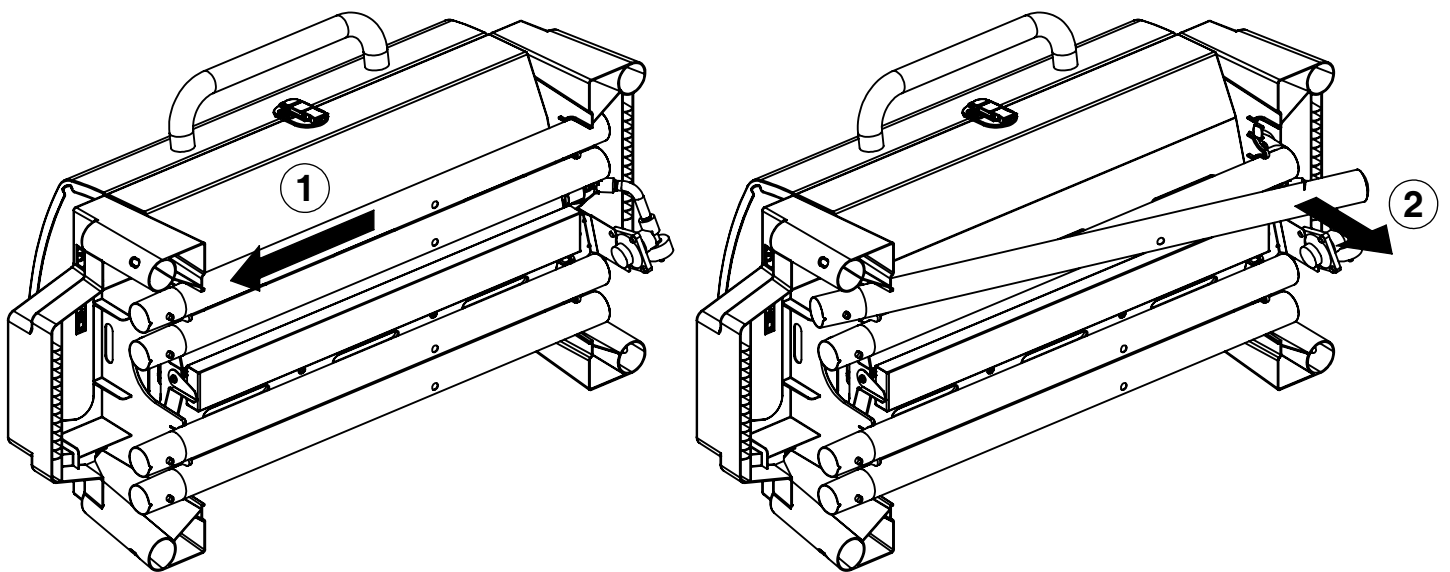
12



13



14



PARTS LIST / LISTE DES PIECES

#	#	DESCRIPTION	DESCRIPTION	8001-14	8003-14	8003-24	8003-34
1	10571-5	HEAT INDICATOR	INDICATEUR DE CHALEUR	1	1	1	1
2	10081-K50	NAMEPLATE	PLAQUE D'IDENTIFICATION	1	1	1	1
3	34141-10A	LID PANEL ASSEMBLY	ASSEMBLAGE DE COUVERCLE	1	1	1	1
5	34211-93	LID HANDLE	POIGNEE	1	1	1	1
7	04160108	COOKING GRID	GRILLES DE CUISSON	1	1	1	1
8	32543-18	FLAV-R-WAVE™	VAPORISATEUR	1	1	1	1
9	32903-144	TUBE BURNER	BRULEUR	1	1	1	1
10	30131-138	LEFT SIDE HANDLE	POIGNEE GAUCHE	1	1	1	1
11	32931-11	BRACKET - FLAV-R-WAVE™	SUPPORT POUR VAPORISATEUR	4	4	4	4
12	32141-10A	FIRE BOX ASSEMBLY	ASSEMBLAGE DE FOUR	1	1	1	1
13	32241-15	HEAT SHIELD	ECRAN THERMIQUE	1	1	1	1
14	32209-104	GAS COLLECTOR BOX	COLLECTEUR DE GAZ	1	1	1	1
15	32201-81	ELECTRODE	ELECTRODE	1	1	1	1
16	32201-89	GROUND WIRE	FIL CONNECTEUR	1	1	1	1
17	10342-22	IGNITOR	ALLUMEUR	1	1	1	1
18	22004-968	CONTROL KNOB	BOUTON DE CONTOLE	1	1	1	1
19	30131-118	RIGHT SIDE HANDLE	POIGNEE DROITE	1	1	1	1
20	33101-118	SIDE SHELF	TABLETTE LATERAL	●	●	1	2
21	32551-17	GREASE TRAY	LECHEFRITE MOULEE	1	1	1	1
22	39001-102	VALVE ASSEMBLY	ASSEMBLAGE DE SOUPAPE	1	1	1	1
24	C06012	SCREW M6 X 12	VIS M6 X 12	10	10	10	10
25	34001-61	LID PIN	GOUPILLE POUR COUVERCLE	2	2	2	2
26	C04213	SCREW ST 4.2 X 13	VIS ST 4.2 X 13	8	8	8	8
27	C04010	SCREW M4 X 12	VIS M4 X 12	3	3	3	3
28	C20004	NUT M4	ECROU M4	2	2	2	2
29	S21233	COTTER PIN	GOUPILLE FENDUE	6	6	6	6
30	30091-10B	STRAIGHT LEG ASSEMBLY	ASSEMBLAGE DE PIED	●	4	4	4
31	S21362	VALVE SPRING	SOUPAPE PRINTEMPS	1	1	1	1
32	32151-17	BLOCK - GREASE TRAY	BLOQUE - LECHEFRITE MOULEE	1	1	1	1
33	32991-01	SPRING - GREASE TRAY	RESSORT - LECHEFRITE MOULEE	1	1	1	1
34	C04025	SCREW M4 X 25	VIS M4 X 25	1	1	1	1
36	C11506	MATCH LIGHT - CHAIN	ALLUMETTES	1	1	1	1
37	30086-01	DECO PLATE	PLAQUE DECORATIVE	1	1	1	1
38	30086-02	DECO PLATE	PLAQUE DECORATIVE	1	1	1	1

