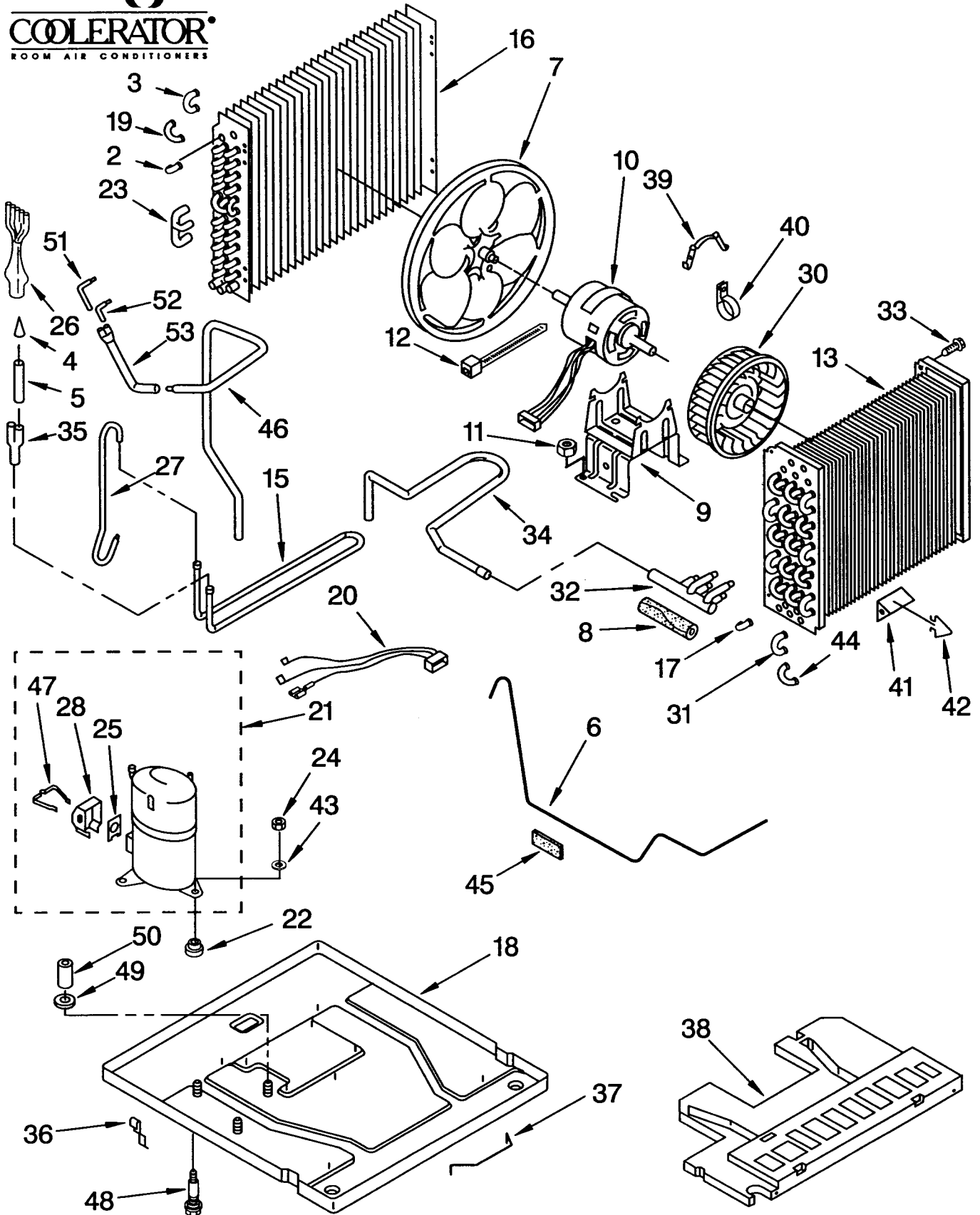




UNIT PARTS

For Model: AR2400XA0

AIR CONDITIONER



2	708532	Bend, Return Condenser (30)
3	708531	Bend, Return Condenser (2)
4	49599	Strainer, Tube
5	1163768	Tube, Outlet (Includes Illus. 4)
6	1165955	Tube, Restrictor (5)
7	1158665	Blade, Fan (Condenser)
8	1161240	Seal, Suction Tube
9	1160672	Bracket, Fan Motor
10	1164160	Motor, Fan
11	1160408	Nut
12	602851	Tie, Cable
13	1164507	Evaporator
15	1161247	Wet, Loop
16	1160100	Condenser
17	854624	Bend, Return Evaporator (10)
18	1162105	Base
19	1156329	Return Bend Condenser (1)
20	1164482	Harness, Wiring
21	1165913	Compressor
22	1162080	Grommet (3)
23	1158685	Return Bend 3-Way Condenser (1)
24	858121	Locknut (3)
25		Gasket, Terminal Cover
	1161082	Production
26	1163760	Distributor
27	1161277	Tube, Wet Loop Connect
28		Cover, Terminal
	1161076	Production
30	1162528	Wheel, Blower (Evaporator)
31	855199	Return Bend Evaporator (7)
32	1164563	Manifold, Suction
33	1157158	Screw #8-3/8
34	1165917	Tube, Suction
35	947364	Tube, Flow Divider
36	471088	Clamp (2)
37	647971	Handle, Base
38	1160656	Pan, Drain
39	49633	Clip, Motor (2)
40	1163775	Clamp, Wiring
41	484238	Anticipator
42	642080	Clip, Anticipator
43	1160880	Washer (3)
44	855644	Bend, Return Evaporator (10)
45	1163759	Seal, Restrictor Tube
46	1164476	Tube, Discharge
47	1161083	Retainer, Terminal Cover
48	1158668	Bolt, Compressor
49	1160654	Spacer, Grommet
50	1160655	Ext. Shoulder
51	1161217	Tube, Feeder
52	1161216	Tube, Feeder
53	1164479	Tube, Discharge Assembly (Includes 51, 52)

LITERATURE PARTS

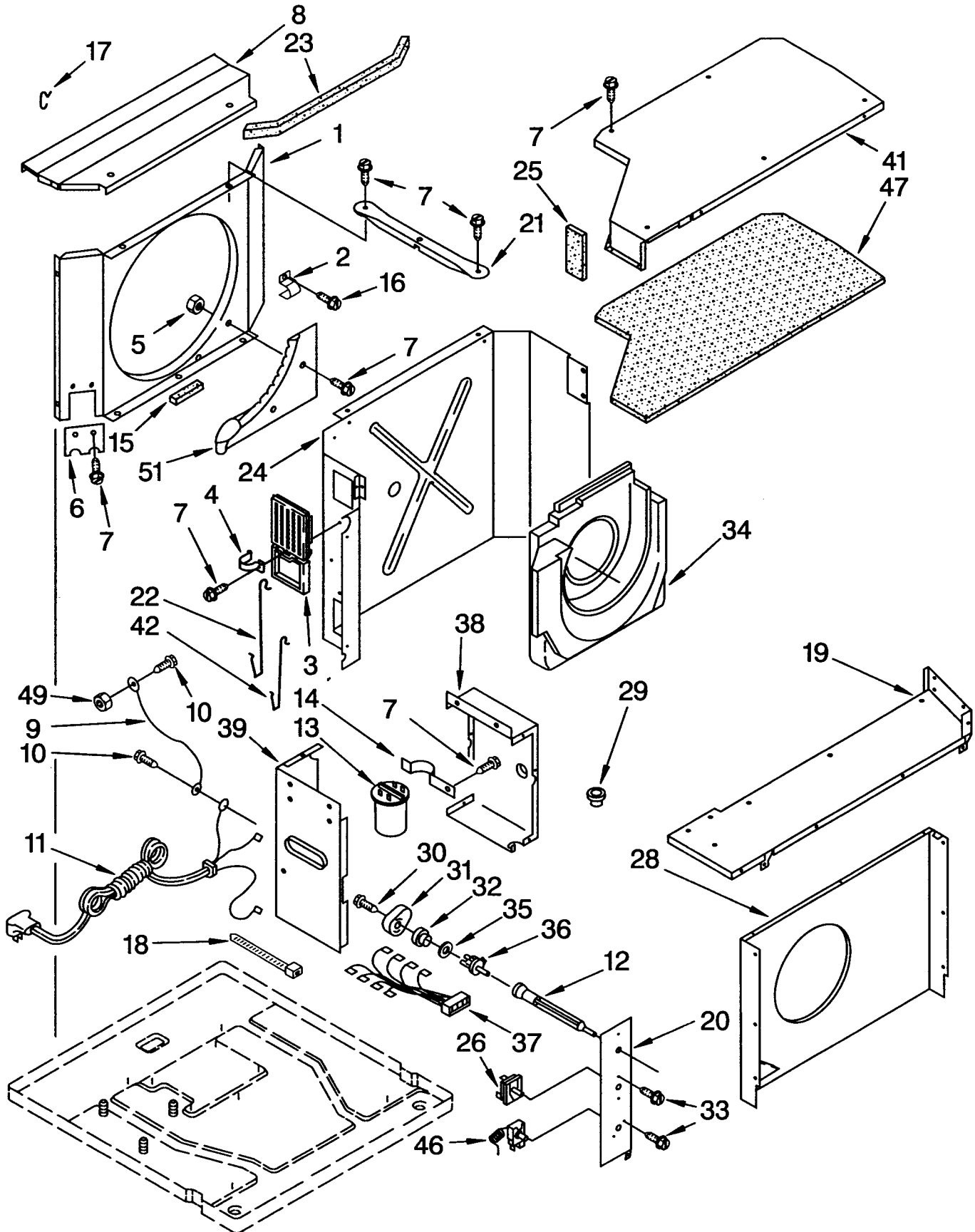
LIT1164939	Manual, Owners
LIT1165606	Tech Sheet
LIT1161093	Wiring Diagram

REFRIGERANT CHARGE 58.5 OZ.

Production Compressor Requires Production Electrical Components. Service Compressor Requires Service Electrical Components. For Further Information, Refer to Filmcard 19.1.

AIRFLOW AND CONTROL PARTS

For Model: AR2400XA0

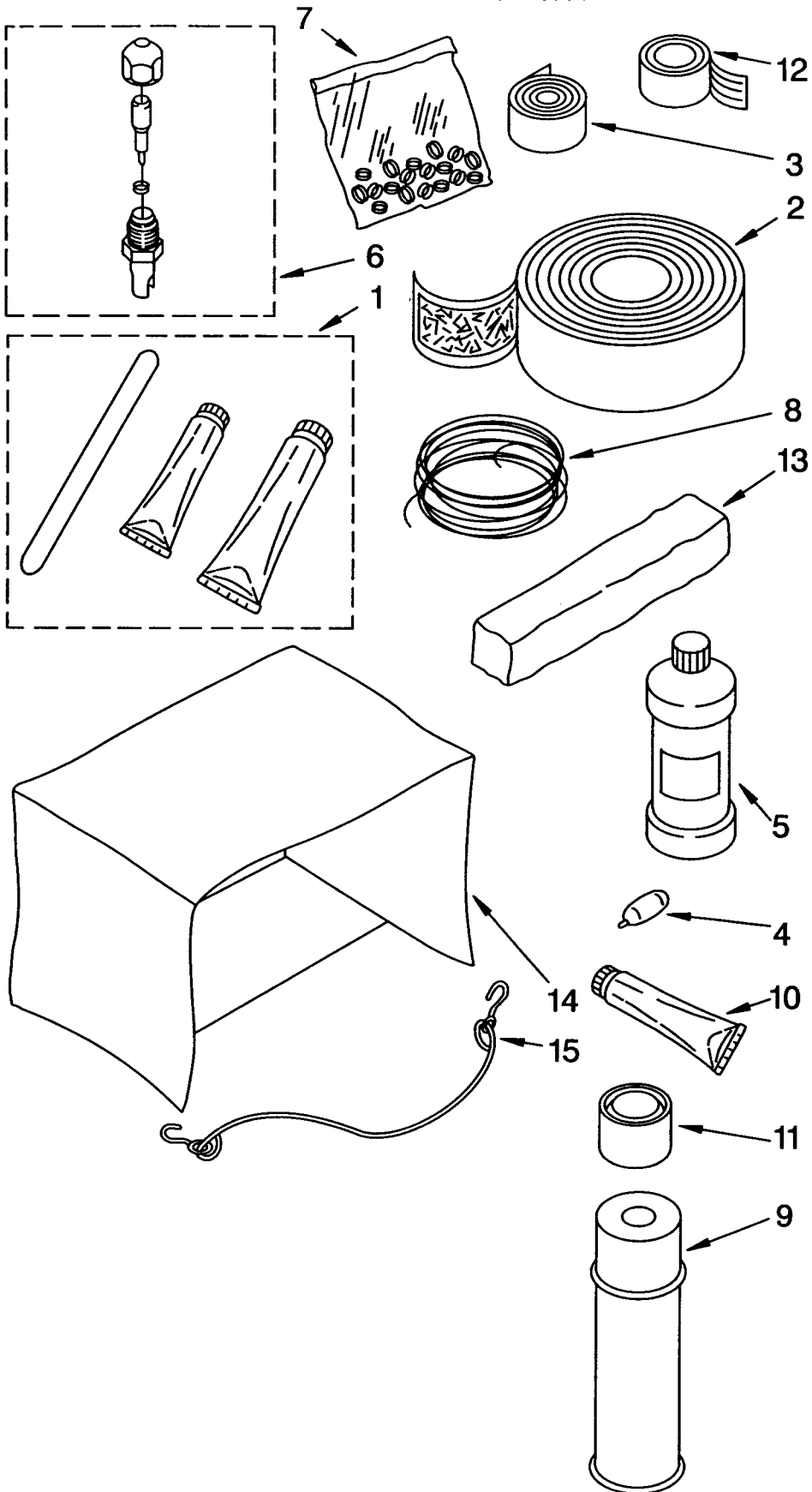


1	1161244	Shroud, Condenser
2	1161248	Clip, Wet Loop
3	1160652	Door, Air (2)
4	1160653	Spring, Door (2)
5	1160408	Nut
6	1161249	Clip, Nylon
7	1157158	Screw #8-3/8
8	1157407	Top, Condenser
9	856094	Wire, Ground
10	489092	Screw, 8 x 3/8
11	1161279	Cord, Appliance
12	1161504	Control, Shaft
13	1165942	Capacitor
14	1160674	Bracket, Capacitor
15	1163332	Seal, Condensate Cup
16	488624	Screw, 8-3/8 SG
17	1164511	Clip, Shroud (2)
18	1159130	Cable, Tie
19	1160709	Evap. Shroud Top
20	1165611	Panel, Control
21	1160708	Support, Unit (2)
22	1162063	Wire, Control Fresh, Air
23	1158732	Seal, Shroud
24	1164483	Dividing Wall
25	1162616	Seal, Anti-Rub
26	1157650	Switch Rotary
28	1160666	Shroud Assembly, Evaporator
29	997285	Cup, Condensate Drain
30	489092	Screw 7-18 x 5/8
31	647882	Cam, Exhaust
32	647879	Bushing, Shaft
33	488734	Screw, 6-32 x .175 (2)
34	1160657	Housing, Air
35	1161313	Washer
36	993262	Shaft, Control Exhaust
37	1165936	Harness, Wiring - Control Box
38	1161704	Control Box (R.S.)
39	1160683	Control Box (L.S.)
41	1160710	Cover, Top
42	1161333	Wire, Control Exhaust
46	1160325	Control, Temperature
47	1160671	Insul. Top Cover
49	486529	Nut, Hex 8-32
51	1160684	Cup, Condensate

1	1161335	Cabinet (Includes Insulation)
2	469877	Gasket, Meeting Rail
3	1157158	Screw, 8 x 3/8 (3)
4	1160818	Insulation Cabinet Side (2)
5	1162100	Cab. Insulation
6	1160768	Seal
7	644271	Angle, Top Mounting
8	1165012	Cabinet Front
9	1162099	Insulation Cabinet Side (2)
10	486529	Nut, Hex 8-32
12	1163784	Seal, Top Mounting Angle
14	1158746	Bag, Accessory
17	1162079	Vertical, Louver
19	1162077	Link, Verticle Louver (2)
20	1164167	Link, Horizontal Louver (5)
21	1165014	Horizontal Louver (10)
22	1165013	Horizontal Louver W/ Handle (2)
23	1165008	Front, Complete
24	1165015	Horizontal Louver W/ Handles (3)
25	1165016	Horizontal, Louver (15)
26	1162101	Cab. Insulation
27	1162102	Cab. Insulation
28	1162078	Louver, Actuator
29	1165018	Filter
32	641484	Spring, Detent
33	857022	Wire, Ground
34	488234	Screw, 8-32 x 1/4
36	1164930	Plate, Escutcheon
37	470036	Spacer, Escutcheon
38	1165603	Knobs, (3)

OPTIONAL PARTS (NOT INCLUDED)

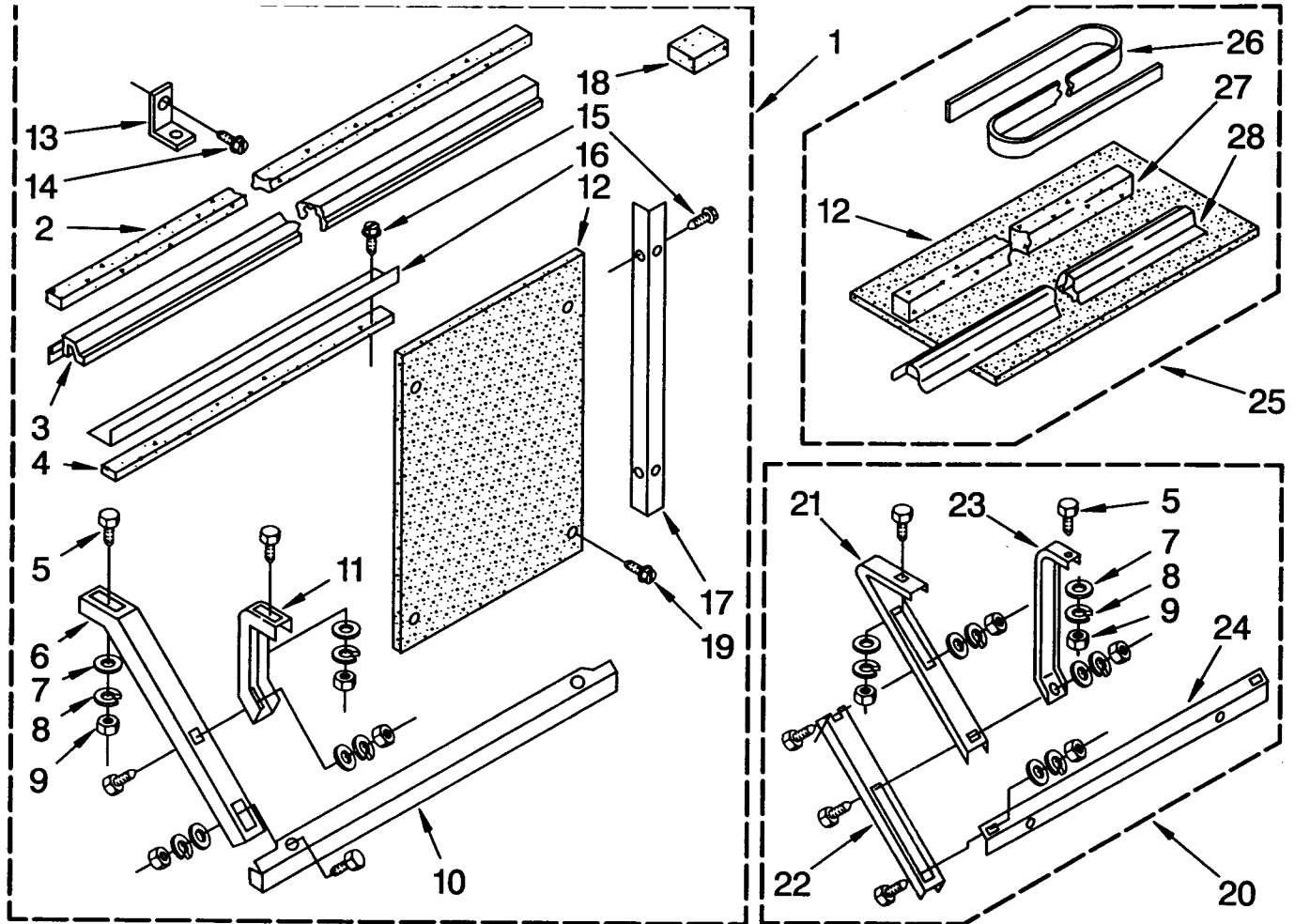
For Model: AR2400XA0



1	799833	Epoxy, Tube (Aluminum Repair)
2	505168	Tape, No Drip 30'
3	479502	Tape, Vinyl 36'
4	10943	Oil, Turbine 1 Oz.
5	99243	Oil, Turbine 8 Oz.
6		Valve, Access
	876764	3/16" Tube O.D.
	978025	1/4" Tube O.D.
	978026	5/16" Tube O.D.
	978027	3/8" Tube O.D.
	978028	1/2" Tube O.D.
	978029	5/8" Tube O.D.
	978030	3/4" Tube O.D.
7	978865	Seal, Ring Access Valve (20-Pack)
8		Wire, 25'Roll
	10875	Blue 16 Ga.
	242820	Black 14 Ga.
	242825	Red 14 Ga.
	242826	White 14 Ga.
	47261	Black 12 Ga.
	299885	Red 12 Ga.
	47263	White 12 Ga.
9	813684	Adhesive, Insulation (24 Oz. Spray)
10	279368	Adhesive, Insulation (2 Oz. Tube)
11	485426	Paint, Touch-up Starlight Gray 1/2 Pint (Lacquer)
12	212643	Sealer, Permagum 4-1" Strips
13	99344	Sealer, Permagum 1 Lb. Bar
14		Cover, Winter
	484066	28"x19"x31"
	484067	19"x12"x14"
	484069	27"x19"x6 to 27"
	484184	22"x15"x3 to 18"
15	813610	Retainer, Cord (Winter Cover)

INSTALLATION PARTS

For Model: AR2400XA0



1	1163842	Kit, Standard Installation
2	469877	Seal
3	644288	Gasket, Sash
4	855265	Strip, Seal
5	488750	Bolt, 1/4 x 3/4 (6)
6	649945	Support, Cabinet (2)
7	488808	Washer (6)
8	486009	Lockwasher (6)
9	486035	Nut, Hex (6)
10	649947	Bracket, Support
11	649946	Support, Retainer (2)
12	644303	Board, Filler
13	644228	Bracket
14	487371	Screw, 10 x 3/4
15	488720	Screw, 10 x 1/2
16	644271	Angle (Top)
17	644272	Angle (2)
18	995274	Spacer, Block (4)
19	488017	Screw, 8 x 3/8
20	485679	Kit, Outside Support
21	644283	Support, Cabinet (2)
22	644284	Extension, Support (2)
23	644285	Retainer, Cabinet (2)
24	644281	Bracket, Support
25	485856	Kit, Wide Window
26	856979	Strip, Seal
27	470800	Seal, Meeting Rail
28	485457	Gasket, Sash (54")

Following Parts Not Illustrated

LITERATURE PARTS

LIT998618	Instructions, Installation (Standard and Wide Window Kits)
LIT485707	Instructions, Installation (Outside Support Kit)