

This Owner's Manual is provided and hosted by [Appliance Factory Parts](#).



COOLERATOR CAW07A1A1 Owner's Manual

[Shop genuine replacement parts for COOLERATOR
CAW07A1A1](#)

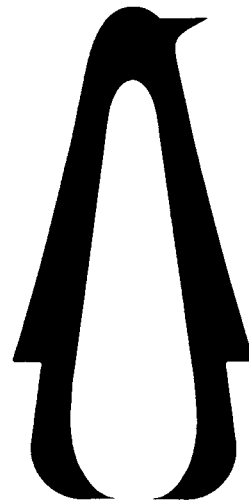
[Find Your COOLERATOR Air Conditioner Parts - Select From 61 Models](#)

----- Manual continues below -----

SERVICE REPAIR PARTS LIST

for

MODEL: CAW05A1A1



COOLERATOR*

R O O M A I R C O N D I T I O N E R S

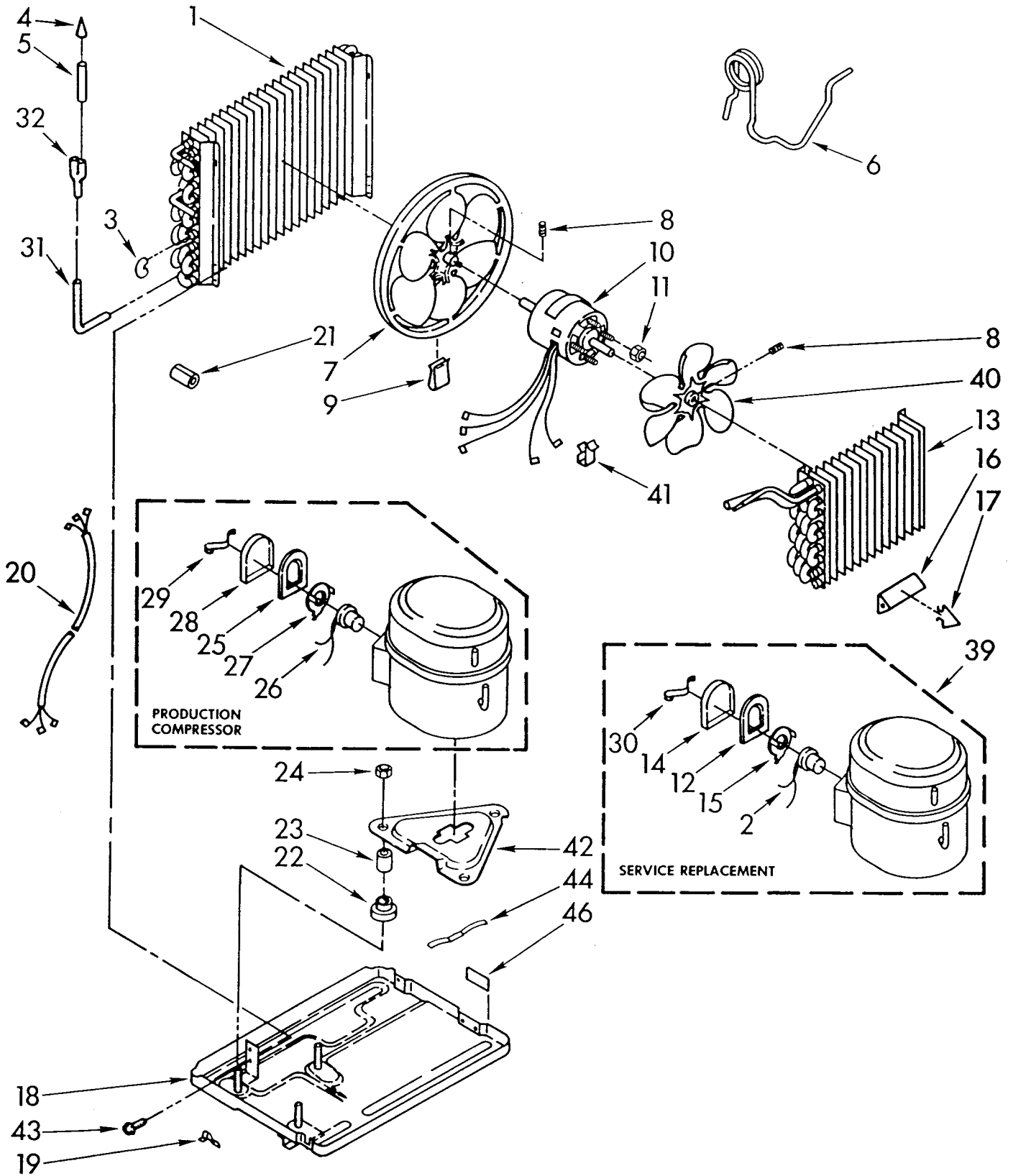
Heil-Quaker

1136 HEIL QUAKER BOULEVARD
LAVERGNE, TENNESSEE 37086

* Trademark

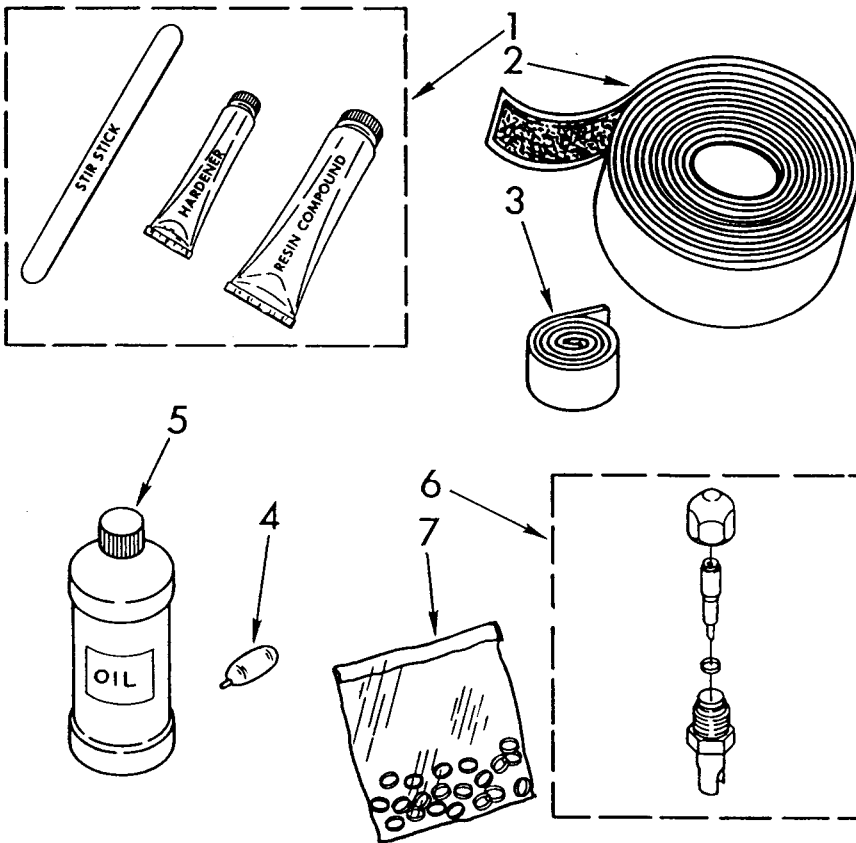
UNIT PARTS

For Model: CAW05A1A1



| | | |
|----|--------|----------------------------------|
| 1 | 950960 | Condenser |
| 2 | 643295 | Overload |
| 3 | 855199 | Bend, Return (11) |
| 4 | 49599 | Strainer, Tube |
| 5 | 484230 | Tube, Outlet (Includes Illus. 4) |
| 6 | 950961 | Tube, Restrictor (Length 40.0") |
| 7 | 997884 | Blade, Fan |
| 8 | 595085 | Setscrew, 5/16-24 x 1/4 |
| 9 | 876034 | Clip, Balancing |
| 10 | 949498 | Motor, Fan |
| 11 | 488130 | Nut, Hex 8-32 (4) |
| 12 | 643296 | Gasket, Cover |
| 13 | 950243 | Evaporator |
| 14 | 643297 | Cover, Terminal |
| 15 | 643298 | Spring, Overload |
| 16 | 996773 | Anticipator, Temperature |
| 17 | 475577 | Clip, Anticipator |
| 18 | 950323 | Base |
| 19 | 855930 | Clamp, Restrictor Tube |
| 20 | 484136 | Harness, Wiring |
| 21 | 950253 | Dampener, Split |
| 22 | 646499 | Grommet (3) |
| 23 | 949990 | Sleeve (3) |
| 24 | 858121 | Locknut (3) |
| 25 | 643296 | Gasket, Terminal Cover |
| 26 | 949996 | Overload |
| 27 | 949997 | Spring, Overload |
| 28 | 949999 | Cover, Terminal |
| 29 | 950005 | Retainer, Terminal Cover |
| 30 | 643299 | Retainer, Cover |
| 31 | 950814 | Tube, 90~ Connect |
| 32 | 947364 | Tube, Flow Divider |
| 39 | 485320 | Compressor Assembly |
| 40 | 646122 | Fan, Blade Evaporator |
| 41 | 852451 | Clamp, Wiring |
| 42 | 949975 | Plate, Mounting Compressor |
| 43 | 488480 | Screw, 8 x 1/2 |
| | 488481 | Screw (Repair) |
| 44 | 643179 | Spring, Mounting |
| 46 | 993191 | Seal, Base (R.S.) |

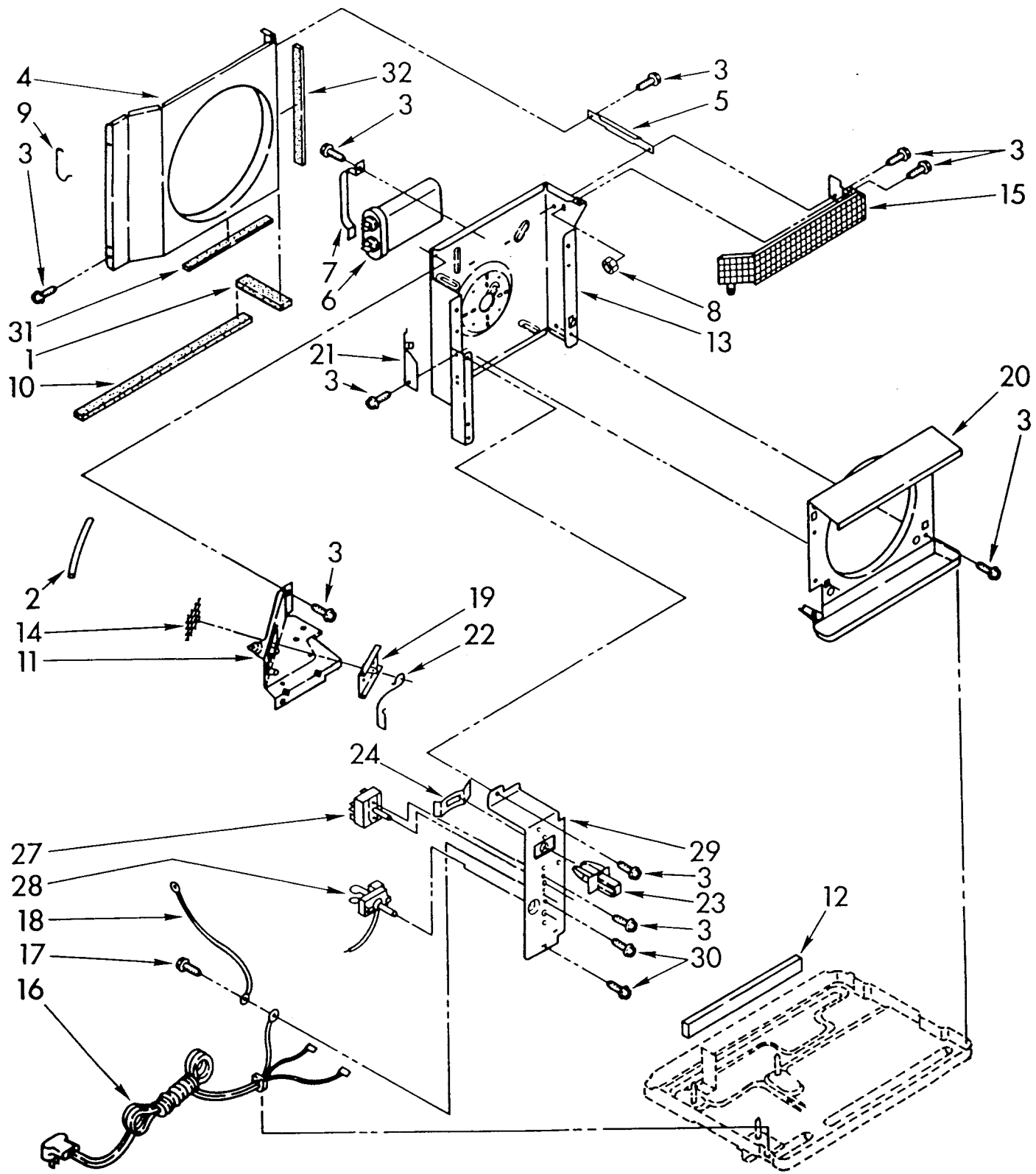
OPTIONAL PARTS (NOT INCLUDED)



| | | |
|---|--------|-----------------------------------|
| 1 | 484310 | Epoxy, Tube (Aluminum Repair) |
| 2 | 505168 | Tape, No Drip 30' |
| 3 | 479502 | Tape, Vinyl 36' |
| 4 | 10943 | Oil, Turbine 1 Fl.Oz. |
| 5 | 99243 | Oil, Turbine 8 Fl.Oz. |
| 6 | | Valve, Access |
| | 876620 | 3/16" Tube O.D. |
| | 978025 | 1/4" Tube O.D. |
| | 978026 | 5/16" Tube O.D. |
| | 978027 | 3/8" Tube O.D. |
| | 978028 | 1/2" Tube O.D. |
| | 978029 | 5/8" Tube O.D. |
| | 978939 | 3/4" Tube O.D. |
| 7 | 978865 | Seal, Ring Access Valve (20 Pack) |

AIR FLOW AND CONTROL PARTS

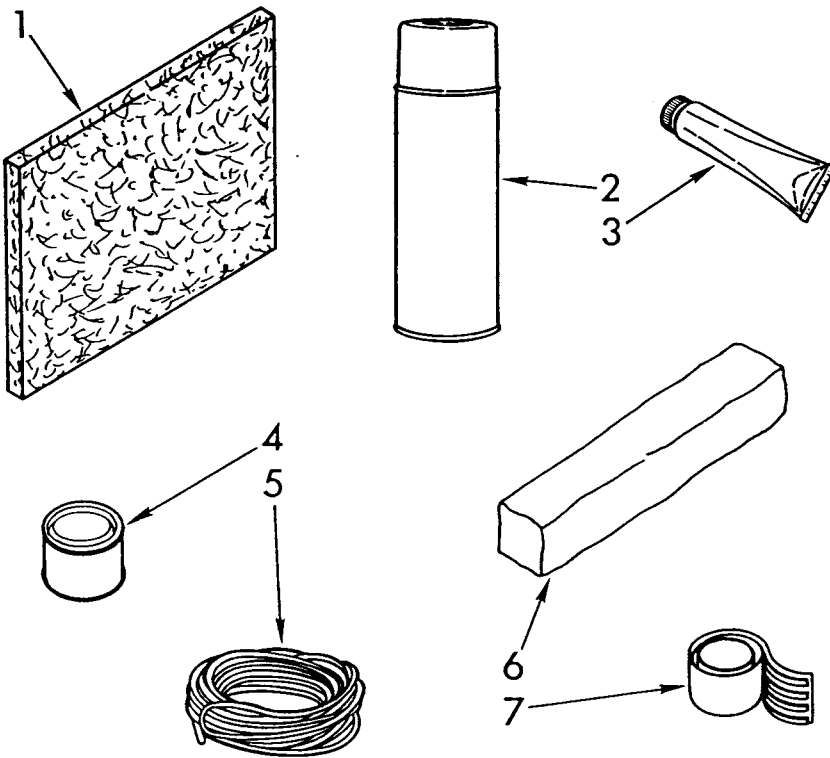
For Model: CAW05A1A1



| | | |
|----|--------|--|
| 1 | 646870 | Seal, Condensate |
| 2 | 859934 | Sealer, Tube |
| 3 | 488480 | Screw, 8 x 1/2 |
| | 488481 | Screw (Repair) |
| 4 | 646297 | Shroud, Condenser |
| 5 | 649879 | Support, Unit |
| 6 | 950198 | Capacitor, Running |
| 7 | 856105 | Bracket, Capacitor |
| 8 | 486288 | Nut, Speed #8A |
| 9 | 477442 | Clip, Shroud |
| 10 | 859931 | Seal, Strip |
| 11 | 646130 | Extension, Dividing Wall (Requires Insulation Part No. 469938) |
| 12 | 854841 | Seal, Strip |
| 13 | 859822 | Wall, Dividing Assembly (Requires Insulation Part No. 469938) |
| 14 | 856929 | Screen, Door |
| 15 | 996685 | Guard, Evaporator Impeller |
| 16 | 647216 | Cord, Appliance |
| 17 | 487871 | Screw, ST 8-32 x 3/8 |
| 18 | 856094 | Wire, Ground |
| 19 | 646134 | Door, Exhaust |
| 20 | 646123 | Shroud, Evaporator |
| 21 | 859890 | Plate, Wall |
| 22 | 950255 | Arm, Door |
| 23 | 953066 | Actuator, Door |
| 24 | 853565 | Spring, Retainer |
| 27 | 950283 | Switch, Rotary |
| 28 | 950403 | Control, Temperature |
| 29 | 993398 | Panel, Control |
| 30 | 488734 | Screw, 6-32 x .175 |
| 31 | 852063 | Seal, Condensate |
| 32 | 857923 | Seal, Condenser (R.S.) |

For Model: CAW05A1A1

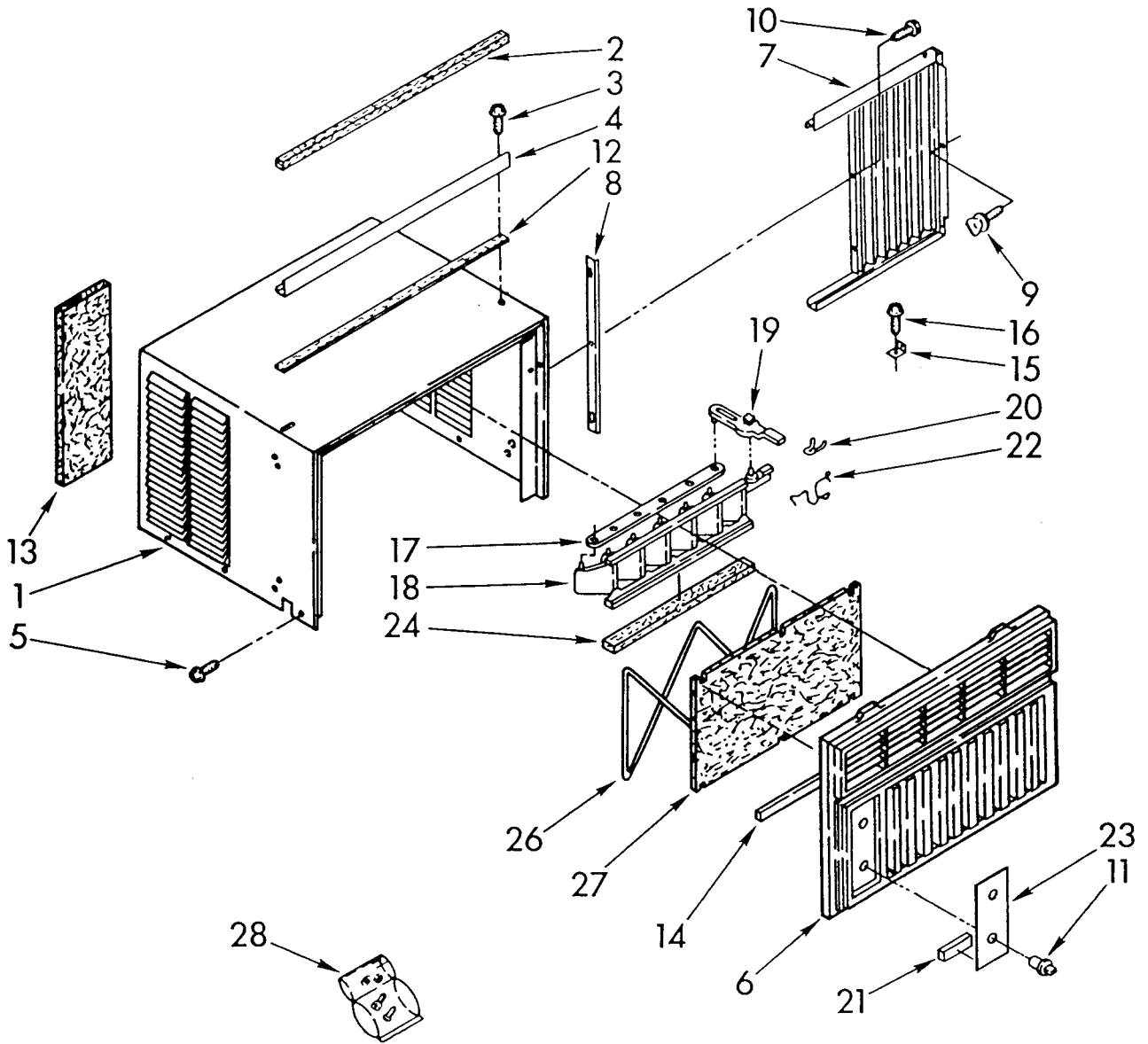
OPTIONAL PARTS (NOT INCLUDED)



| | | |
|------|--------|--|
| 1 | | Insulation, Cabinet |
| | 855438 | Top |
| | 854937 | Rigth Side |
| | 854938 | Left Side |
| 2 | 813684 | Adhesive, Spray 24 Oz. |
| 3 | 279368 | Adhesive, Tube 2 Oz. |
| 4 | 485426 | Paint, Touch-Up Starlite Gray 1/2 Pint (Lacquer) Wire, 25' |
| Roll | | |
| 5 | | Wire, 25' Roll |
| | 10875 | Blue 16 Ga. |
| | 242820 | Black 14 Ga. |
| | 242285 | Red 14 Ga. |
| | 242826 | White 14 Ga. |
| | 47261 | Black 12 Ga. |
| | 299885 | Red 12 Ga. |
| | 47263 | White 12 Ga. |
| 6 | 99344 | Sealer, Permagum 1 Lb. Bar |
| 7 | 212643 | Sealer, Permagum 4-1' Strips |

CABINET PARTS

For Model: CAW05A1A1



| | | |
|----|--------|---------------------------|
| 1 | 857903 | Cabinet |
| 2 | 469877 | Gasket, Meeting Rail |
| 3 | 488720 | Screw, 10 x 1/2 (3) |
| 4 | 993849 | Channel, Top |
| 5 | 488875 | Screw, ST 8-32 x 3/8 (6) |
| 6 | 953020 | Front, Cabinet Assembly |
| 7 | 646158 | Housing, Curtain (L.S.) |
| | 646154 | Housing, Curtain (R.S.) |
| 8 | 646160 | Retainer, Curtain (2) |
| 9 | 475581 | Thumbscrew (2) |
| 10 | 488730 | Screw, 8 x 7/16 (6) |
| 11 | 953054 | Knob, Control (2) |
| 12 | 856990 | Seal, Strip |
| 13 | 857777 | Seal, Rear Cabinet Flange |
| 14 | 949090 | Seal, Cabinet Front |
| 15 | 644228 | Bracket, Window |
| 16 | 488255 | Screw, 8 x 3/4 |
| 17 | 645684 | Link, Louver (2) |
| 18 | 645605 | Louver, Vertical |
| 19 | 645683 | Handle, Louver (2) |
| 20 | 641484 | Spring, Detent (1) |
| 21 | 646318 | Spacer, Plate |
| 22 | 949634 | Clip, Front (2) |
| 23 | 953000 | Plate, Escutcheon |
| 24 | 855238 | Seal, Vertical Louver |
| 26 | 646963 | Retainer, Filter |
| 27 | 852344 | Filter, Air |
| 28 | 476180 | Bag, Accessory |

Following Parts Not Illustrated

LITERATURE PARTS

| | |
|-----------|---------------------|
| LIT950515 | Sheet, Service Tech |
| LIT953076 | Guide, Use And Care |
| LIT953079 | Guide, Energy |
| LIT789350 | List, Repair Parts |