

This Owner's Manual is provided and hosted by [Appliance Factory Parts](#).



WHIRLPOOL X07002W0 Owner's Manual

[Shop genuine replacement parts for WHIRLPOOL
X07002W0](#)



[Find Your WHIRLPOOL Air Conditioner Parts - Select From 1257 Models](#)

----- Manual continues below -----

PARTS LIST

for

ROPER®

AIR CONDITIONER

MODEL
X07002W00



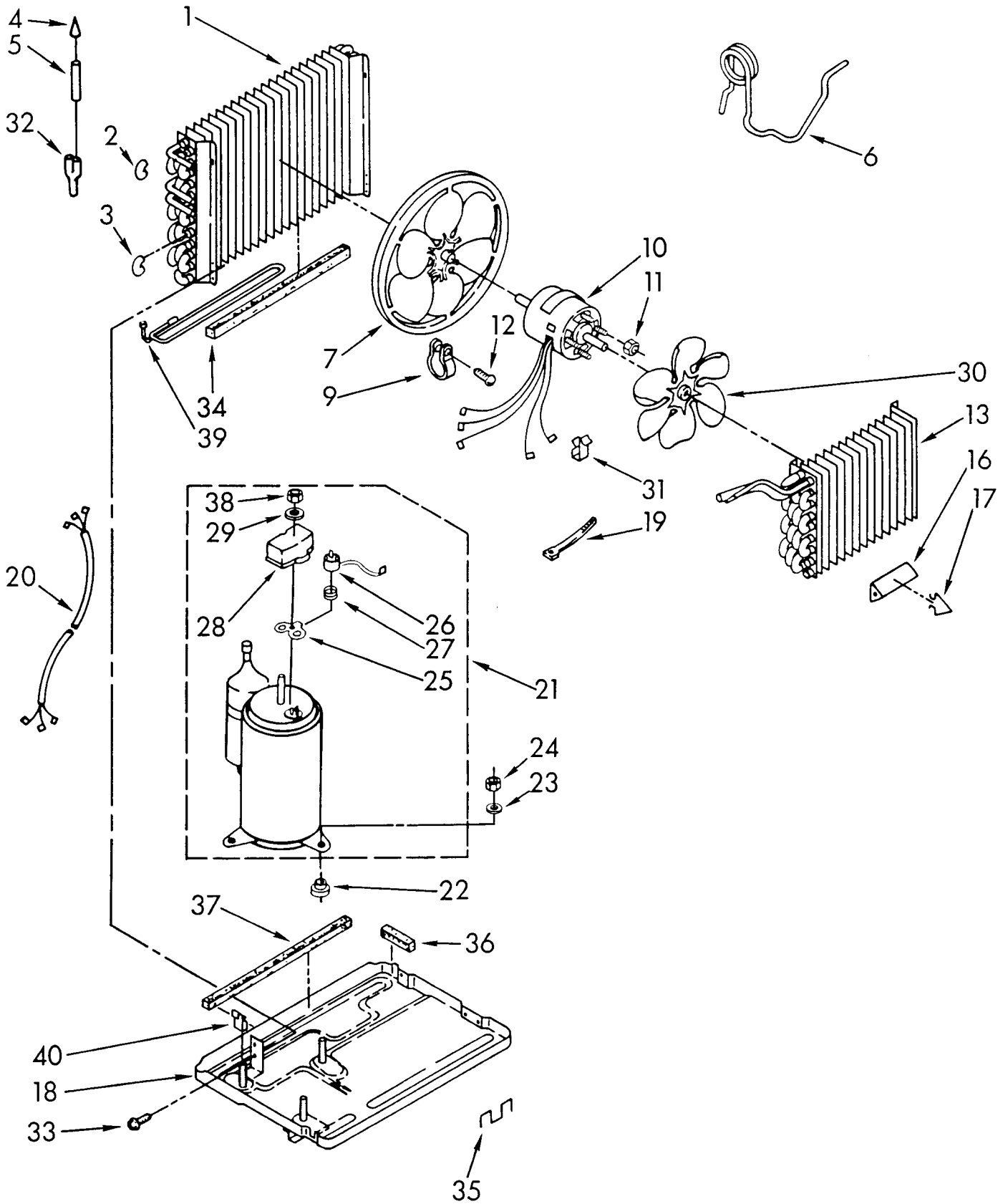
FOR CUSTOMER SATISFACTION ALWAYS USE
FACTORY SPECIFICATION PARTS



Whirlpool CORPORATION
Benton Harbor, Michigan.

UNIT PARTS

For Model: X07002W00



FOR ORDERING INFORMATION REFER TO PARTS PRICE LIST

4316239

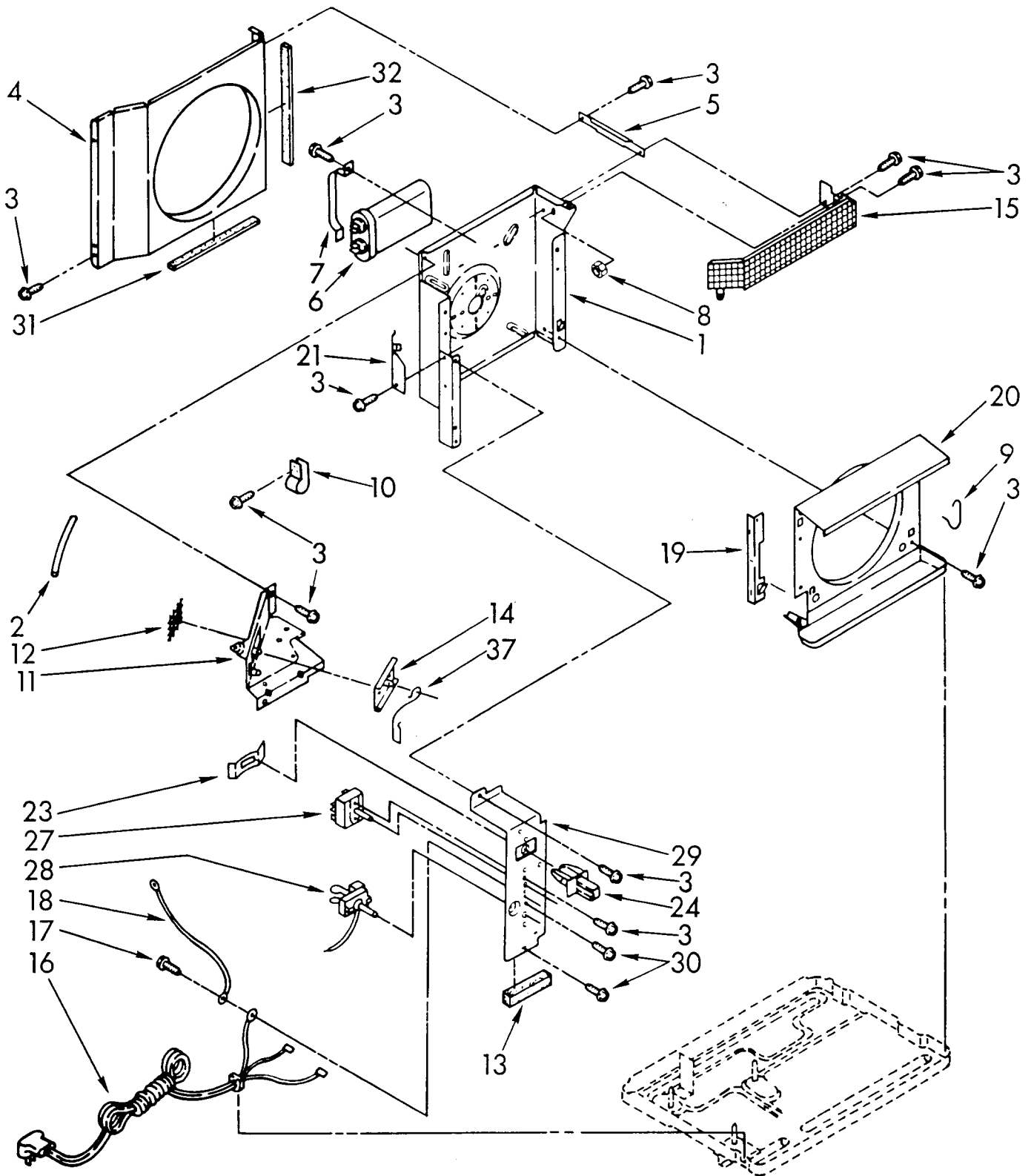
2

134-D-3

1	1155940	condenser
2	854624	bend, return condenser (2) evaporator (7)
3	855199	bend, return condenser (15) evaporator (5)
4	49599	strainer, tube
5	950850	tube, outlet (includes no. 4)
6	1157043	tube, restrictor
7	1155859	blade, fan
9	1158502	clamp, blancing
10	1157804	motor, fan
11	488130	nut, hex 8-32 (4)
12	489292	screw, slotted hex
13	1155639	evaporator
16	996773	anticipator, temperature
17	475577	clip, anticipator
18	950013	base
19	612805	tie, wire (4)
20	484136	harness, wiring
21	1157026	compressor
22	950212	grommet (3)
23	489108	washer (3)
24	1156715	locknut (3)
25	950035	gasket, terminal cover
26	1157040	overload
27	950032	spring, overload
28	950213	cover, terminal
29	950037	washer
30	1156594	fan, blade evaporator
31	852451	clamp, wiring
32	947364	tube, flow divider
33	488480	screw, 8 x 1/2
	488481	screw (repair)
34	852063	seal, condensate (condenser bottom)
35	949634	clip, front mtg. (2)
36	646870	seal, condensate (base r.h. flange)
37	854841	seal, strip (base rear flange)
38	950037	nut, terminal cover
39	1155622	tube, condenser extension
40	1156028	clip, speed

AIR FLOW AND CONTROL PARTS

For Model: X07002W00



FOR ORDERING INFORMATION REFER TO PARTS PRICE LIST

4316239

1	859822	wall, dividing
2	859934	sealer, tube
3	488480	screw, 8 x 1/2
	488481	screw (oversized)
4	646297	shroud, condenser
5	649879	support, unit
6	952739	capacitor, running
7	856105	bracket, capacitor
8	486288	nut, speed #8a
9	994686	clip, shroud
10	947072	clamp, wiring
11	646130	extension, dividing wall
12	856929	screen, exhaust door
13	857774	seal, control panel bottom
14	646134	door, exhaust
15	996685	guard, evaporator impeller
16	647216	cord, appliance
17	487871	screw, 8-32 x 3/8
18	856094	wire, ground
19	855502	bracket, mtg.
20	996748	shroud, evaporator
21	859890	plate, dividing wall
23	858765	retainer, detent spring
24	953066	actuator, exhaust door
27	950283	switch, rotary
28	949411	control, temperature
29	993398	panel, control
30	488734	screw, 6-32 x .175
31	859931	seal, condenser
32	857923	seal condenser shroud r.s.
37	950255	arm, exhaust door

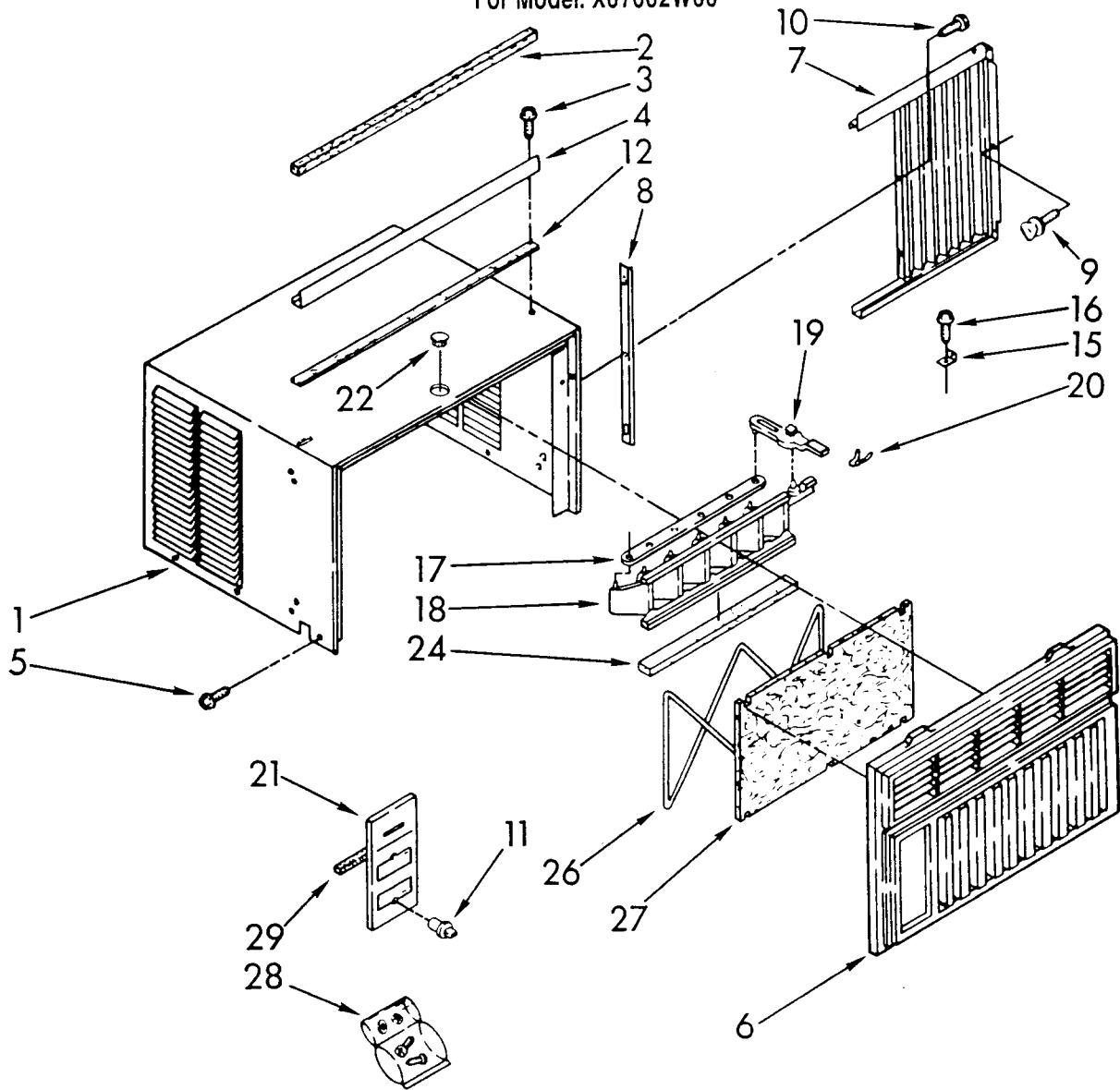
following parts not illustrated

literature parts

lit1155974	installation, instructions
lit1158169	guide, operation
lit1156495	sheet, tech
lit950222	wiring diagram
lit4316239	list, repair parts

CABINET PARTS

For Model: X07002W00



FOR ORDERING INFORMATION REFER TO PARTS PRICE LIST

4316239

6

134-D-7

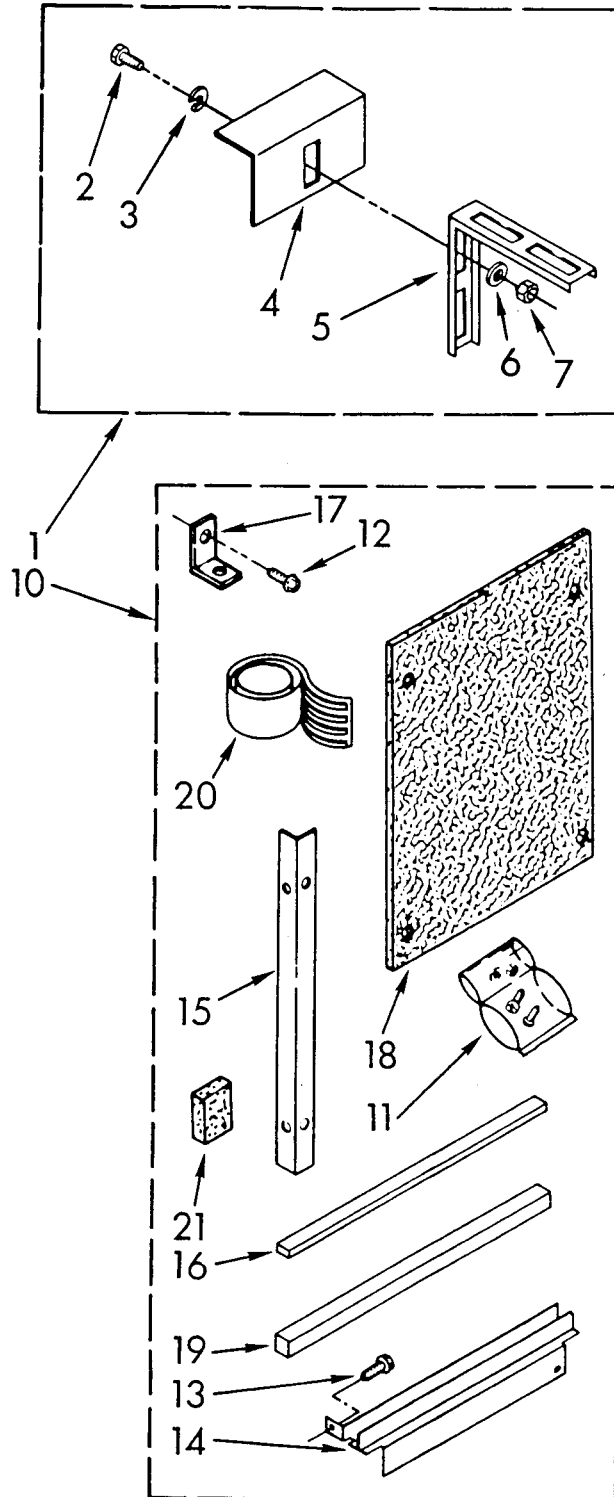
1	1157276	cabinet
2	469877	gasket, meeting rail
3	488720	screw, 10 x 1/2 (3)
4	993849	channel, top
5	488875	screw, st 8-32 x 3/8 (6)
6	1158195	front, cabinet
7	646158	housing, curtain (l.s.)
	646154	housing, curtain (r.s.)
8	646160	retainer, curtain (2)
9	475581	thumbscrew (2)
10	488730	screw, 8 x 7/16 (6)
11	953054	knob, control (2)
12	856990	seal, strip
15	644228	bracket, window
16	488255	screw, 8 x 3/4
17	645684	link, louver (2)
18	1157284	louver, vertical
19	645683	handle, louver (2)
20	641484	spring, detent (1)
21	1158176	plate, escutcheon
22	1157126	plug, hole
24	855238	seal, vertical louver
26	646963	retainer, filter
27	852344	filter, air
28	476180	bag, accessory
29	646318	spacer, escutcheon plate (2)

INSTALLATION PARTS

For Model: X07002W00

An Installation Kit is included with your air conditioner. If repair parts are required at a later date, you may select the correct part number from this listing.

Other Installation Kits shown below may be ordered where special circumstances require them.



FOR ORDERING INFORMATION REFER TO PARTS PRICE LIST

1	485678	kit, outside sill (for additional support)
2	488750	bolt, 1/4-20 x 3/4 (6)
3	488808	washer, flat (6)
4	645515	bracket, sill (2)
5	485466	bracket, rail (2)
6	486009	washer, lock (6)
7	486035	nut, 1/4-20 (6)
10	994818	kit, window installation
11	858358	bag, accessory
12	488255	screw, wood #8 x 3/8 (3)
13	488017	screw, s.m. #8 x 3/8 (8)
14		bracket, mounting
	645562	right side
	645563	left side
15	646988	angle, side (2)
16	856979	seal, strip
17	644228	bracket, window, lock
18	648854	board, filler (2)
19	469877	seal, meeting rail
20	470168	sealer, gum
21	995274	spacer, block

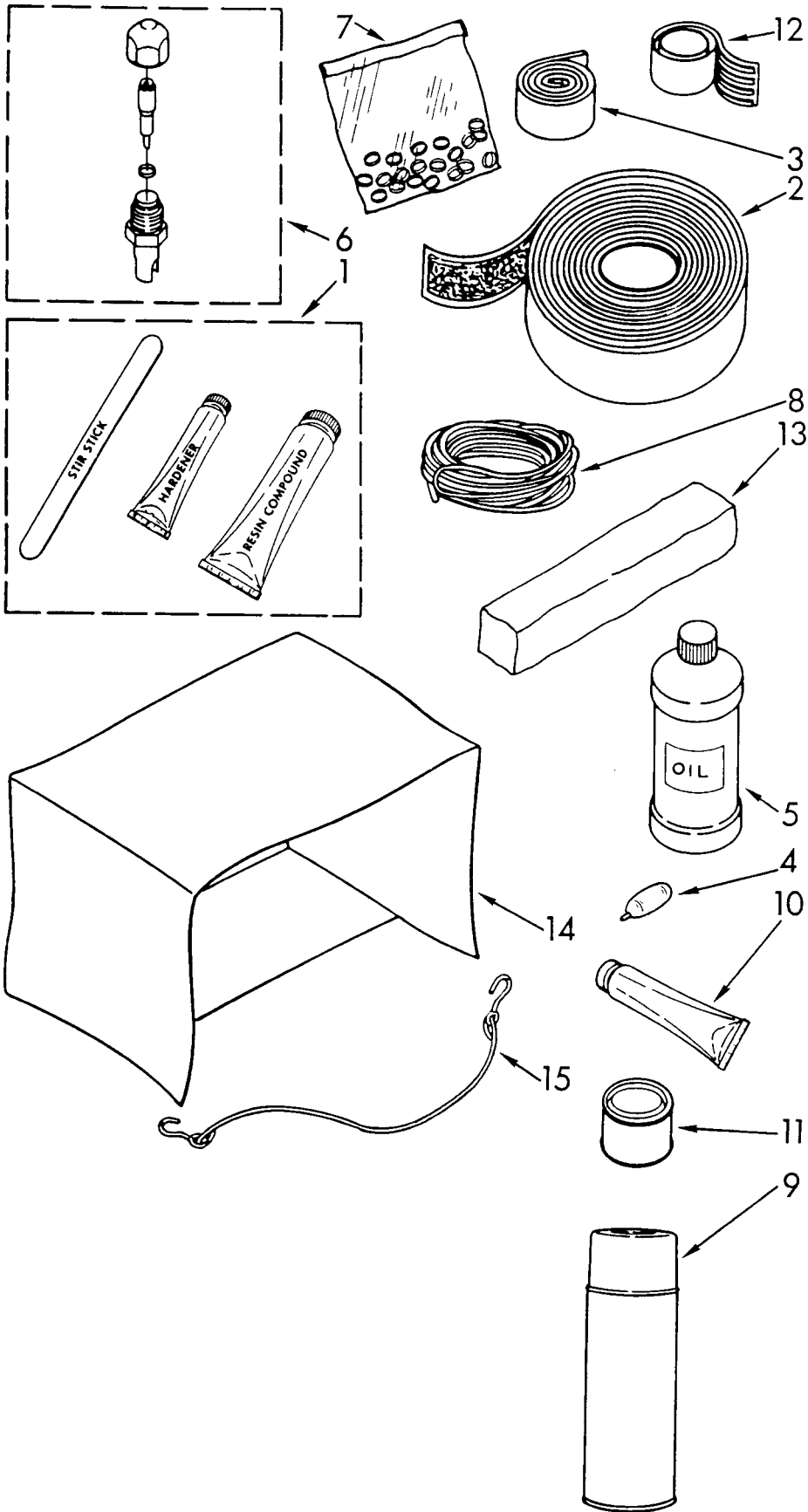
following parts not illustrated

literature parts

lit485706	instructions,	installation (outside sill kit)
-----------	---------------	---------------------------------

OPTIONAL PARTS (NOT INCLUDED)

For Model: X07002W00



FOR ORDERING INFORMATION REFER TO PARTS PRICE LIST

4316239

8

134-D-9

1	799833	epoxy,	tube (aluminum repair)
2	505168	tape, no drip	30'
3	479502	tape, vinyl	36'
4	10943	oil, turbine	8 fl. oz.
5	99243	oil, turbine	8 fl. oz.
6		valve, access	
	876764	3/16"	tube o.d.
	978025	1/4"	tube o.d.
	978026	5/16"	tube o.d.
	978027	3/8"	tube o.d.
	978028	1/2"	tube o.d.
	978029	5/8"	tube o.d.
	978030	3/4"	tube o.d.
7	978865	seal, ring access valve	(20-pack)
8		wire, 25' roll	
	10875	blue	16 ga.
	242820	black	14 ga.
	242825	red	14 ga.
	242826	white	14 ga.
	47621	black	12 ga.
	299885	red	12 ga.
	47263	white	12 ga.
9	813684	adhesive,	insulation (24 oz. spray)
10	279368	adhesive,	insulation (2 oz. tube)
11	485426	paint,	touch-up starlight gray 1/2 pint
		(lacquer)	
12	212643	sealer,	permagum 4-1" strips
13	99344	sealer,	permagum 1 lb. bar
14		cover, winter	
	484066	28	x 19 x 31"
	484067	19	x 12 x 14"
	484069	27	x 19 x 6 to 27"
	484184	22	x 15 x 3 to 18"
15	813610	retainer,	cord (winter cover)