

This Owner's Manual is provided and hosted by [Appliance Factory Parts](#).



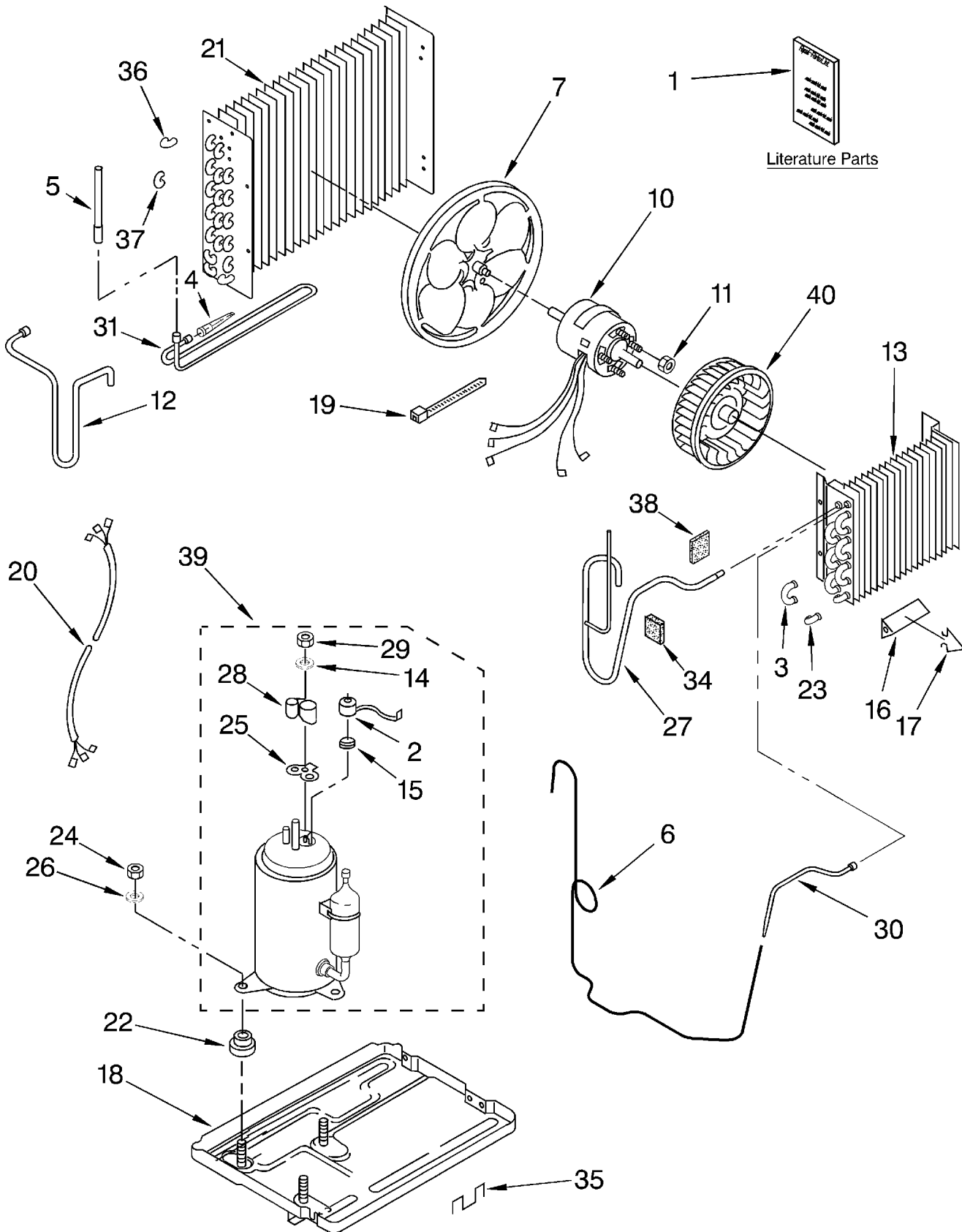
# WHIRLPOOL X07002G0 Owner's Manual

[Shop genuine replacement parts for WHIRLPOOL  
X07002G0](#)



[Find Your WHIRLPOOL Air Conditioner Parts - Select From 1257 Models](#)

----- Manual continues below -----

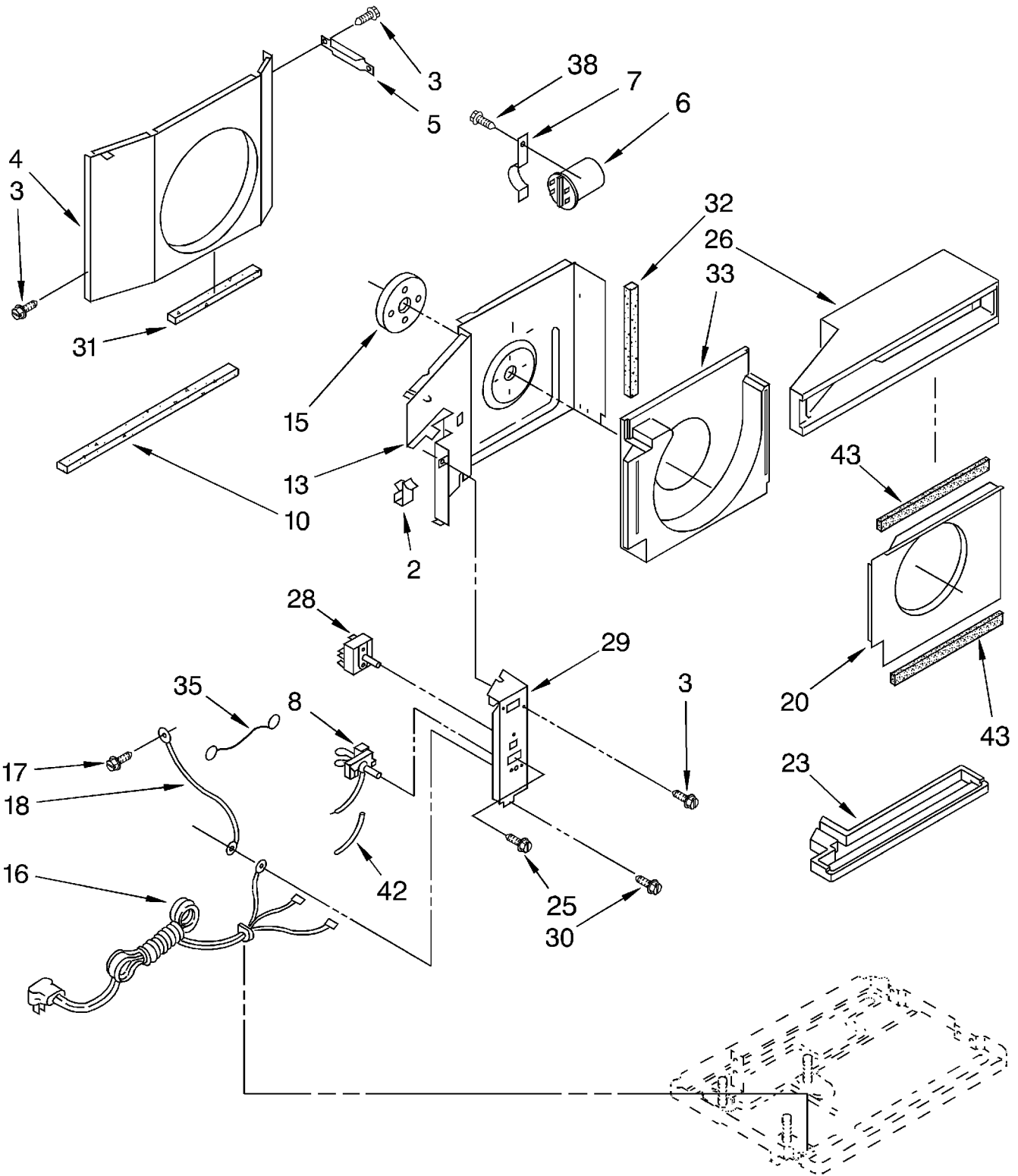


1		Literature Parts
	LIT1168258	Tech Sheet
	LIT1165173	Wiring Diagram
	LIT1168978	Guide, Operation
2		Overload
	1157040	Production
3	855199	Bend, Return (6)
4	1162526	Strainer
5	1168423	Tube, Process
6	1169380	Tube, Restrictor
7	1158524	Blade, Fan
10	1166120	Motor, Fan
11	488130	Nut, Hex 8-32 (4)
12	1159370	Tube, Discharge
13	1164540	Evaporator
14	950037	Gasket
15	950032	Spring, Overload
16	996773	Anticipator
17	475577	Clip, Anticipator
18	1157926	Base
19	857547	Cable, Tie
20	484136	Harness, Wiring
21	1169245	Condenser
22	950212	Grommet (3)
23	1169761	Bend, Return
24	858122	Locknut (3)
25	950035	Gasket, Terminal Cover
26	489108	Washer (3)
27	1166117	Tube, Suction
28		Cover, Terminal
	950213	Production
29	950027	Nut Hex 5 - 8 mm.
30	1165066	Tube, Feeder (Restrictor)
31	1169000	Tube, Condenser Extension
34	1159443	Seal, Foam
35	949634	Clip, Mtg (2) (Cabinet-Front)
36	708532	Bend, Return (4)
37	708531	Bend, Return (13)
38	1164551	Sealer, Tube
39	1157026	Compressor Assembly
40	1164650	Wheel, Blower

REFRIGERANT CHARGE 16.5 OZ.

# AIR FLOW AND CONTROL PARTS

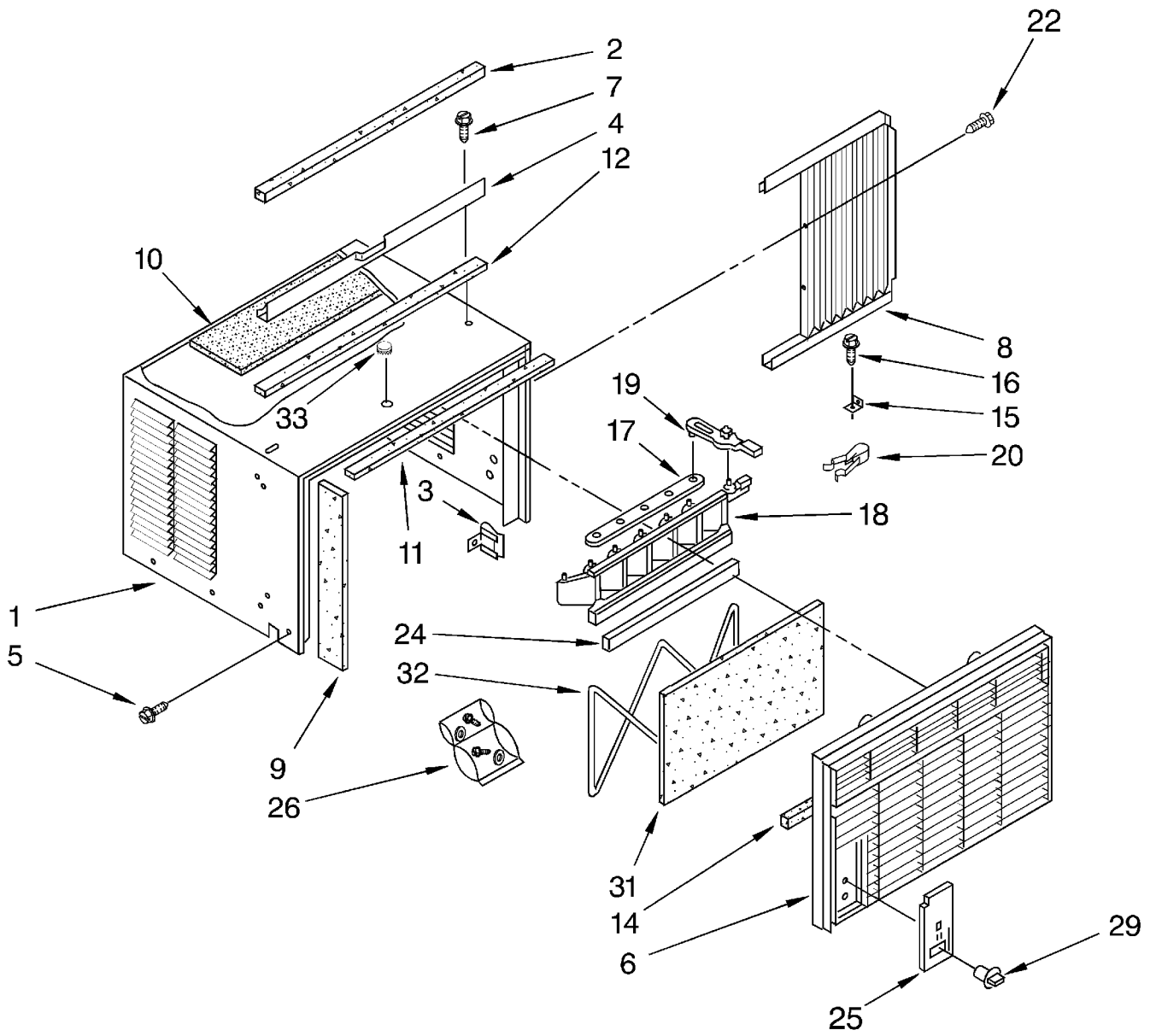
For Model: X07002F00



2	852451	Clamp, Wiring
3	488480	Screw, 8 x 1/2
4	1157908	Shroud, Condenser
5	649879	Support, Unit
6	1162595	Capacitor, Running
7	1167611	Bracket, Capacitor
8	950403	Control, Temp.
10	1162616	Seal, Strip
13	1158451	Wall, Dividing
15	1168622	Insulation, Motor
16	1164674	Cord, Appliance
17	1159222	Screw, ST 8-32 x 3/8
18	856094	Wire, Ground
20	1164655	Shroud, Evaporator
23	1164671	Pan, Evaporator
25	488734	Screw 6-32 x .175
26	1164670	Hood, Air Housing
28	1165251	Switch, Rotary
29	1159409	Panel, Control
30	1159222	Screw, 3/8
31	859600	Seal, Condensate
32	1158850	Seal, Side
33	1164648	Housing, Air
35	1160302	Wire, Lead
38	488624	Screw 8 x 3/8
42	475841	Sleeve, Insul.
43	1164680	Seal (2)

# CABINET PARTS

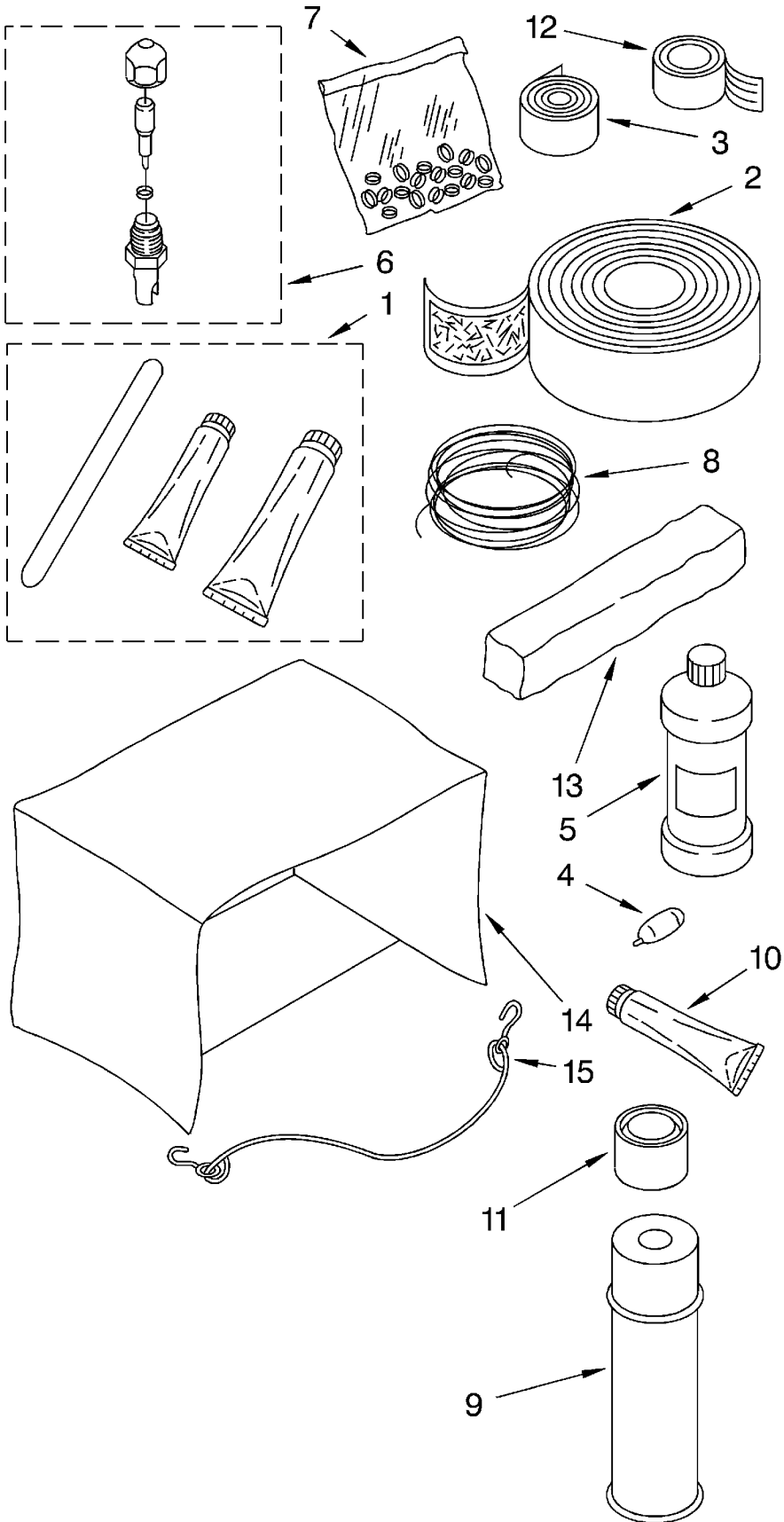
For Model: X07002F00



1	1157939	Cabinet
2	469877	Gasket, Meeting Rail
3	1158294	Clip
4	1168393	Channel, Top
5	1157158	Screw, ST 8 x 3/8 (6)
6	1158195	Front, Cabinet Assembly
7	488720	Screw (2)
8	1162963	Curtain (L.S.)
	1162961	Curtain (R.S.)
9	1168285	Insulation, Side
10	1157942	Insulation, Top
11	1159283	Seal
12	856990	Seal, Strip
14	949090	Seal, Cabinet Front
15	644228	Bracket, Window
16	488255	Screw, 8 x 3/4
17	645684	Link, Louver
18	1158325	Louver, Vertical
19	648626	Handle, Louver
20	641484	Spring, Detent
22	1161561	Screw
24	855238	Seal, Vertical Louver
25	1159407	Escutcheon
26	476180	Bag, Accessory
29	1158639	Knob, Control (2)
31	852344	Filter
32	646963	Retainer, Filter
33	1157126	Cover, Hole

# OPTIONAL PARTS (NOT INCLUDED)

For Model: X07002F00



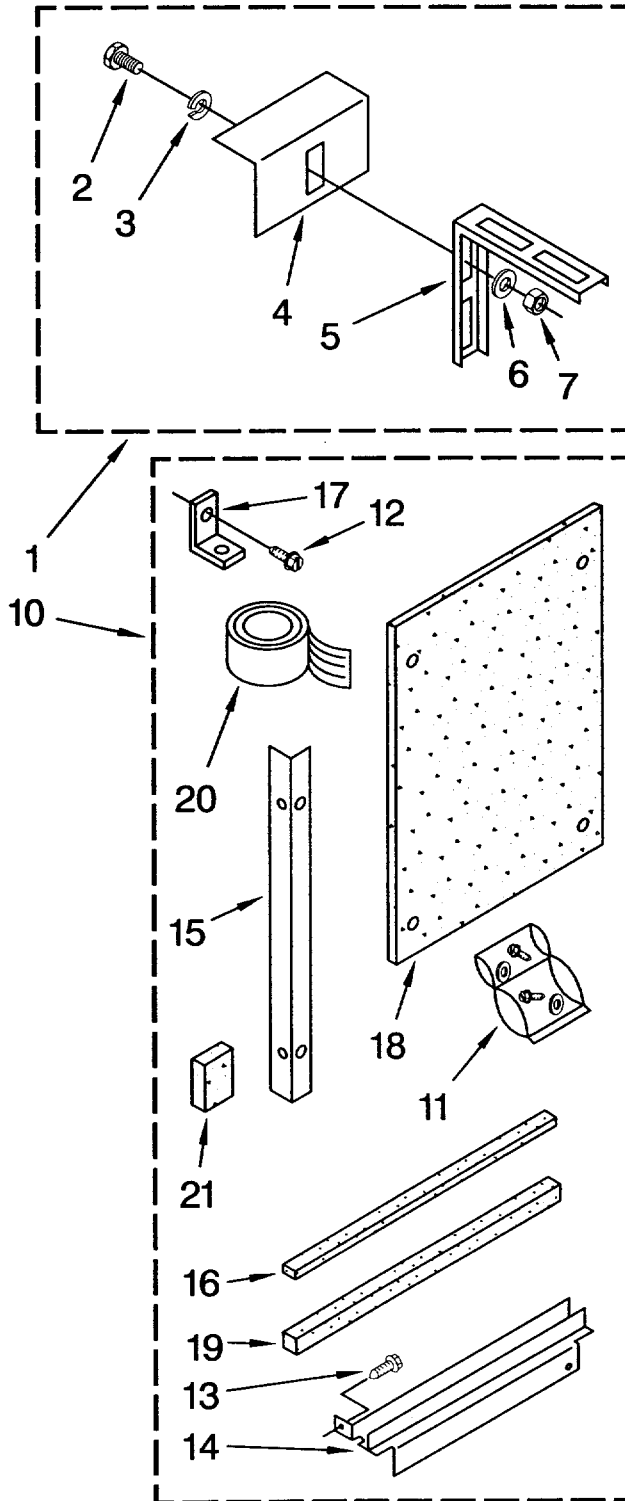
1	799833	Epoxy, Tube (Aluminum Repair)
2	505168	Tape, No Drip 30'
3	479502	Tape, Vinyl 36'
4	10943	Oil, Turbine 1 Fl. Oz.
5	99243	Oil, Turbine 8 Fl. Oz.
6		Valve, Access
	876764	3/16" Tube O.D.
	978025	1/4" Tube O.D.
	978026	5/16" Tube O.D.
	978027	3/8" Tube O.D.
	978028	1/2" Tube O.D.
	978029	5/8" Tube O.D.
	978030	3/4" Tube O.D.
7	978865	Seal, Ring Access valve (20-Pack)
8		Wire, 25' Roll
	10875	Blue 16 Ga.
	242820	Black 14Ga.
	242825	Red 14 Ga.
	242826	White 14 Ga.
	47261	Black 12 Ga.
	299885	Red 12 Ga.
	47263	White 12 Ga.
9	813684	Adhesive, Insulation (24 Oz. Spray)
10	279368	Adhesive, Insulation (2 Oz. Tube)
11	485426	Paint, Touch-up Starlight Gray 1/2 Pint (Lacquer)
12	212643	Sealer, Permagum 4-1" Strips
13	99344	Sealer, Permagum 1 Lb. Bar
14		Cover, Winter
	484066	28 x 19 x 31"
	484067	19 x 12 x 14"
	484069	27 x 19 x 6 to 27"
	484184	22 x 15 x 3 to 18"
15	813610	Retainer, Cord (Winter Cover)

# INSTALLATION PARTS

For Model: X07002F00

The Accessory Installation Kits illustrated below may or may not be included with your Air Conditioner. They have been made available only as an accessory to help you install the Air Conditioner where special circumstances may require them.

If one of these accessory kits has been installed with your Air Conditioner and repair parts are required at some later date, you may select the correct part number from this listing.



1	485678	Kit, Outside Sill (For Additional Support)
2	488750	Bolt, 1/4-20 x 3/4 (6)
3	488808	Washer, Flat (6)
4	645515	Bracket, Sill (2)
5	485466	Bracket, Rail (2)
6	486009	Washer, Lock (6)
7	486035	Nut, 1/4-20 (6)
10	994818	Kit, Window Installation
11	858358	Bag, Accessory
12	488255	Screw, Wood #8 x 3/8 (3)
13	488017	Screw, S.M. #8 x 3/8 (8)
14		Bracket, Mounting
	645562	Right Side
	645563	Left Side
15	646988	Angle, Side
16	856979	Seal, Strip
17	644228	Bracket, Window Lock
18	648854	Board, Filler (2)
19	469877	Seal, Meeting Rail
20	470168	Sealer, Gum
21	995274	Spacer, Block

LITERATURE PARTS

LIT485706	Instructions, Installation (Outside Sill Kit)
-----------	---