

1	950019	Base
2	1163573	Compressor
3		Overload
	1155700	Production
4	950032	Spring, Overload
5	1162071	Tube, Flow Divider
6	1168421	Tube, Wet Loop
7	950021	Grommet, Compressor Mounting (3)
8	950020	Sleeve, Compressor Mounting (3)
9	858121	Nut, Lock (3)
10	950035	Gasket, Terminal Cover
11	950036	Cover, Terminal
12	950027	Nut
13	1172017	Motor, Fan
14	488130	Nut, Hex Keys 8-32 (4)
16	1160946	Blade, Fan (Evaporator)
17	1161594	Blade, Fan (Condenser)
18	1156743	Evaporator
19	1156455	Tube, Restrictor (2)
20	1164709	Condenser
21	708532	Bend, Return Condenser (13) Evaporator (2)
22	708531	Bend, Return Evaporator (12)
23	949634	Clip, Mtg. (2) (Base To Front)
24	950037	Washer
25	951437	Tube, Outlet (Includes Illus. 26)
26	49599	Strainer, Tube
27	488480	Screw, SM #8 x 1/2A (7)
	488481	Screw (Repair) #10 x 3/8A
28	996773	Anticipator, Temperature
29	475577	Clip, Temperature Anticipator
30	642684	Clamp, Tube
31	857547	Tie, Cable
32	948090	Seal, Condenser Top
33	1158407	Bend, Return (2)
34	1165484	Tube, Discharge
35	484136	Harness, Wiring
36	859600	Seal, Condenser Bottom
37	1156533	Bend Return (2)
38	1163983	Tube, Suction
39	1162616	Seal, Anti-Rub

Following Parts Not Illustrated

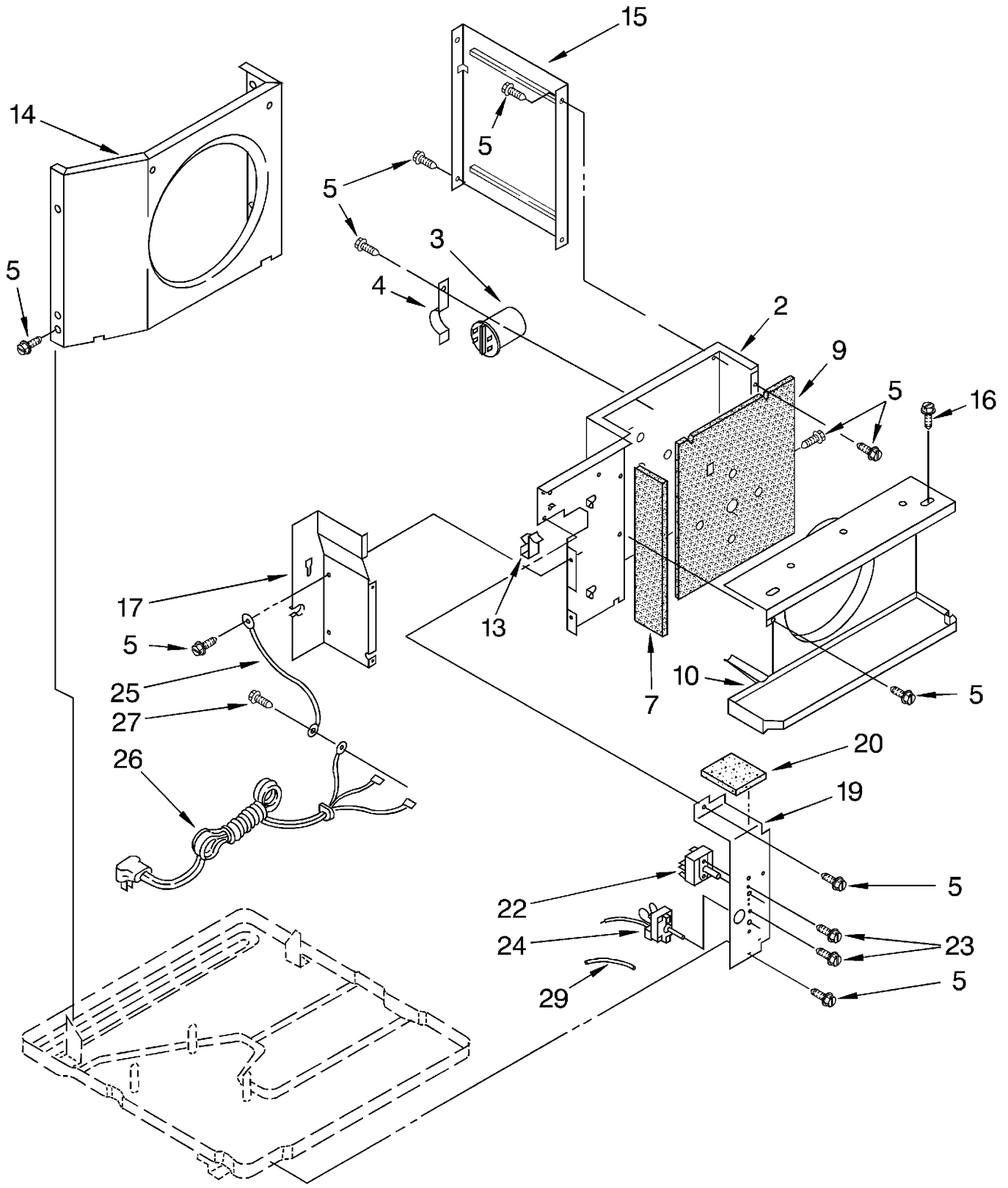
LITERATURE PARTS

LIT1169913	Sheet, Tech
LIT1169912	Wiring Diagram
LIT1169347	Use and Care Guide

REFRIGERANT CHARGE 21 OZ.

AIR FLOW AND CONTROL PARTS

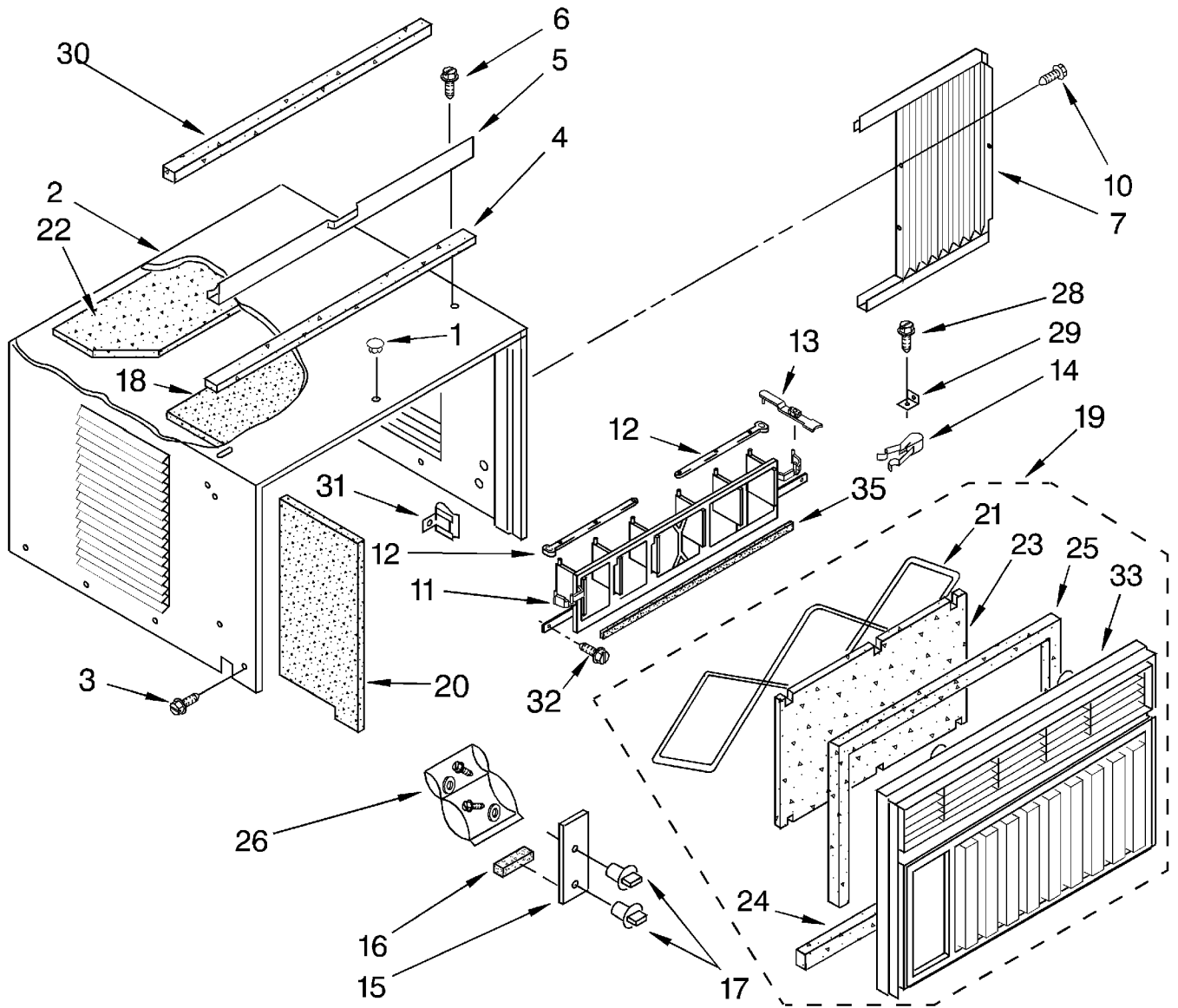
For Model: X12002G0



2	1167155	Wall, Dividing
3	1162594	Capacitor, Running
4	1167611	Bracket, Running Capacitor
5	488480	Screw, SM #8 x 1/2A
	488481	Screw (Repair) #10 x 3/8
7	1166339	Insulation (Side, Dividing Wall)
9	1166338	Insulation (Back, Dividing Wall)
10	856039	Shroud, Evaporator
13	852451	Clamp, Cable
14	856037	Shroud, Condenser
15	1156536	Support, Unit (2)
16	487910	Screw, Sems SM #8 x 1/2A (2)
17	994561	Extension, Dividing Wall
19	1159147	Panel, Control
20	1158576	Insulation (Top, Control Panel)
22	1169915	Switch, Rotary
23	488734	Screw, Machine 6-32 x .175 (4)
24	1166758	Control, Temperature
25	856094	Wire, Ground
26	1165241	Cable, Appliance
27	487871	Screw, ST 8-32 x 3/8
29	475841	Insulator, Sleeve Temp. Control

CABINET PARTS

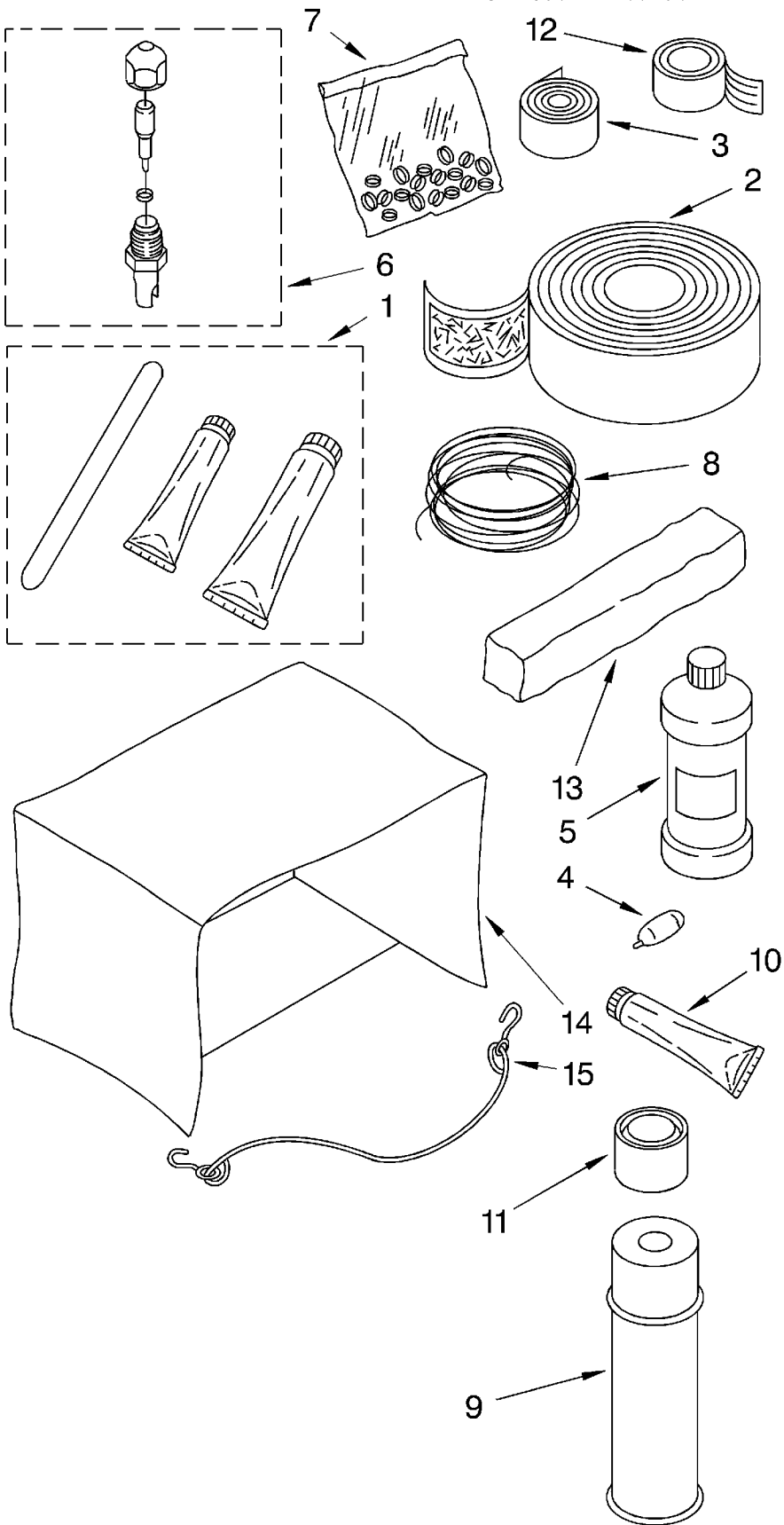
For Model: X12002G0



1	1157126	Plug, Hole
2	1163513	Cabinet
3	1157158	Screw, 8-3/8 SG
4	856989	Seal, Strip
5	1169001	Channel, Top Mounting
6	488720	Screw, #10 x 1/2 (3)
7	1164155	Housing, Curtain R.S. (Includes #8)
	1164154	Housing, Curtain L.S. (Includes #8)
10	1161561	Screw, 3/8 SG
11	1159980	Louver, Vertical (Includes Illus. Nos. 12,13,14)
12	855158	Link, Vertical Louver (2)
13	1161636	Handle, Vertical Louver (2)
14	644006	Spring, Detent (2)
15	1172321	Plate, Escutcheon
16	470036	Spacer, Escutcheon Plate (2)
17	1167618	Knob, Control (2)
18	1163429	Insul/Cabinet Top
19	1169207	Front, Cabinet
20		Insul/Cabinet
	1163430	(Right, Side)
	1163431	(Left, Side)
21	646963	Retainer, Filter
22	1158501	Insul/Cabinet
23	855246	Filter
24	852923	Seal, Cabinet Front
25	645883	Seal, Strip (Top & Sides)
26	476180	Bag, Accessory
28	488255	Screw, Wood #8 x 3/4 (1)
29	644228	Bracket, Window Lock
30	469877	Seal, Meeting Rail
31	1158294	Clip, Louver (2)
32	1159222	Screw
33	1169206	Front
35	855238	Seal (Back, Vertical Louver)

OPTIONAL PARTS (NOT INCLUDED)

For Model: X12002G0

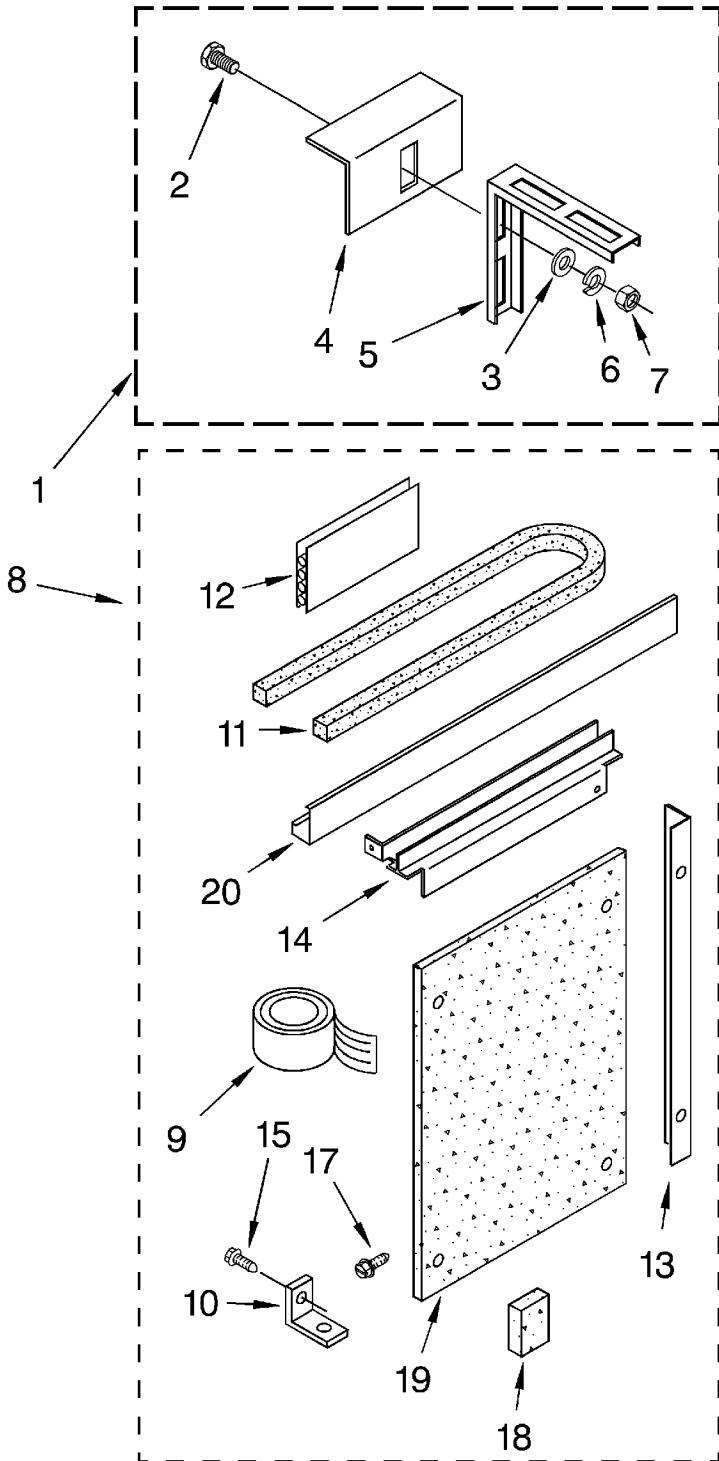


1	799833	Epoxy, Tube (Aluminum Repair)
2	505168	Tape, No, Drip 30'
3	479502	Tape, Vinyl 36'
4	10943	Oil, Turbine 1 Fl. Oz.
5	99243	Oil, Turbine 8 Fl. Oz.
6		Valve, Access
	876764	3/16" Tube O.D.
	978025	1/4" Tube O.D.
	978026	5/16" Tube O.D.
	978027	3/8" Tube O.D.
	978028	1/2" Tube O.D.
	978029	5/8" Tube O.D.
	978030	3/4" Tube O.D.
7	978865	Seal, Ring Access Valve (20 Pack)
8		Wire, 25' Roll
	10875	Blue 16 Ga.
	242820	Black 14 Ga.
	242825	Red 14 Ga.
	242826	White 14 Ga.
	47261	Black 12 Ga.
	299885	Red 12 Ga.
	47263	White 12 Ga.
9	813684	Adhesive, Insulation (24 Oz. Spray)
10	279368	Adhesive, Insulation (2 Oz. Tube)
11	485426	Paint, Touch-Up Starlight Gray 1/2 Pint (Lacquer)
12	470168	Sealer, Permagum 4 - 1' Strips
13	99344	Sealer, Permagum 1 Lb. Bar
14	484184	Cover, Winter
	484066	28 x 19 x 31"
	484067	19 x 12 x 14"
	484069	27 x 19 x 6 to 27"
	484184	22 x 15 x 3 to 18"
15	813610	Retainer, Cord (Winter Cover)

INSTALLATION PARTS

For Model: X12002G0

WINDOW MOUNTING KITS



The Accessory Installation Kits illustrated below may or may not be included with your Air Conditioner. They have been made available only as an accessory to help you install the Air Conditioner where special circumstances may require them. If one of these accessory kits has been installed with your Air Conditioner and repair parts are required at some later date, you may select the correct part number from this listing.

1	485678	Kit, Outside Sill (For Additional Support)
2	488750	Bolt 1/4-20 x 3/4 (6)
3	120393	Washer, Flat (6)
4	645515	Bracket, Sill (2)
5	485466	Bracket, Rail (2)
6	486009	Washer, Lock (6)
7	487541	Nut, 1/4-20 (6)
8	1155851	Kit, Economy Installation
9	855265	Seal, Strip
10	644228	Bracket, Window Lock
11	855841	Seal, Meeting Rail
12	212643	Sealer, Permagum
13	646233	Angle, Side (2)
14		Bracket, Top Mounting
	645562	(Right Side)
	645563	(Left Side)
15	47435	Screw, Wood
17	965173	Screw, Sheet Metal (6)
18	995274	Spacer, Block (2)
19	876826	Board, Filler
20	646232	Channel, Top

Following Parts Not Illustrated

485676 Wide Window Kit (Use with 1155851 for windows up to 54 inches wide)

LITERATURE PARTS

LIT485706 Instructions, Installation (Outside Sill Kit)
LIT1155124 Instructions Installation (Economy Mounting Kit)