

2	708532	Bend, Return Condenser (10)
3	708531	Bend, Return Condenser (4)
4	49599	Strainer, Tube
5	1155598	Tube, Outlet (Includes Illus. 4)
6	1166217	Tube, Restrictor (3)
7	1158665	Blade, Fan (Condenser)
8	1160870	Seal, Suction Tube
9	1160672	Bracket, Fan Motor
10	1166225	Motor, Fan
11	1160408	Nut
12	602851	Tie, Cable
13	1161712	Evaporator
14	1161083	Retainer, Cover
15	1158703	Tube, Connect
16	1161080	Condenser
17	854624	Bend, Return (3)
18	1162105	Base
19	1158407	Return Bend (1)
20	1164482	Harness, Wiring (Compressor)
20A	1166219	Harness, Wiring (Compressor) (Note: With This Harness Items 25
and 28		Are Not Required)
21	1166173	Compressor
22	1165973	Grommet (3)
23	1158685	Return Bend 3-Way
24	858121	Locknut (3)
25	1161082	Gasket, Terminal Cover
26	1160655	Ext. Shoulder
27	1160654	Spacer, Grommet
28	1161076	Cover, Terminal
30	1158443	Wheel, Blower (Evaporator)
31	855199	Return Bend (10)
32	1163753	Manifold, Suction
34	1166184	Tube, Suction
35	947364	Tube, Flow Divider
36	471088	Clamp (2)
37	647971	Handle, Base
38	1160656	Pan, Drain
39	1157015	Clip, Motor (2)
41	1166782	Anticipator
42	642080	Clip, Anticipator
43	1160880	Washer (3)
44	855644	Bend, Return (3)
45	1163759	Seal, Restrictor Tube
46	1159832	Tube, Flow Divider
47	1166188	Tube, Feeder
48	1166187	Tube, Feeder
49	1165674	Bolt, Compressor
50	1166093	Tube, Discharge (Bottom)
51	1166189	Tube, Discharge (Top)

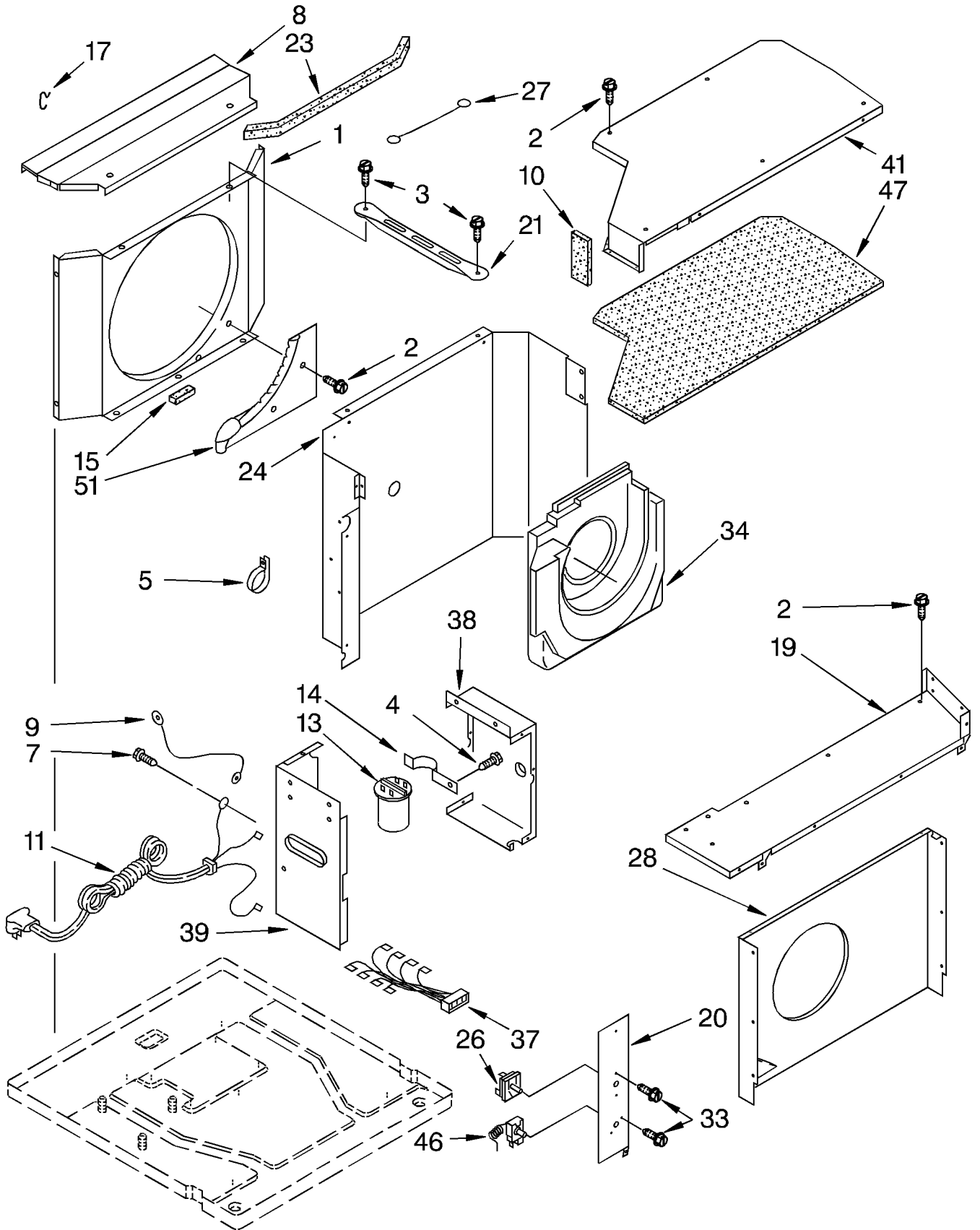
LITERATURE PARTS

LIT1165607	Wiring Diagram
LIT1166448	Manual, Owners
LIT1166213	Tech Sheet

REFRIGERANT CHARGE 31.5 OZ.

# AIRFLOW AND CONTROL PARTS

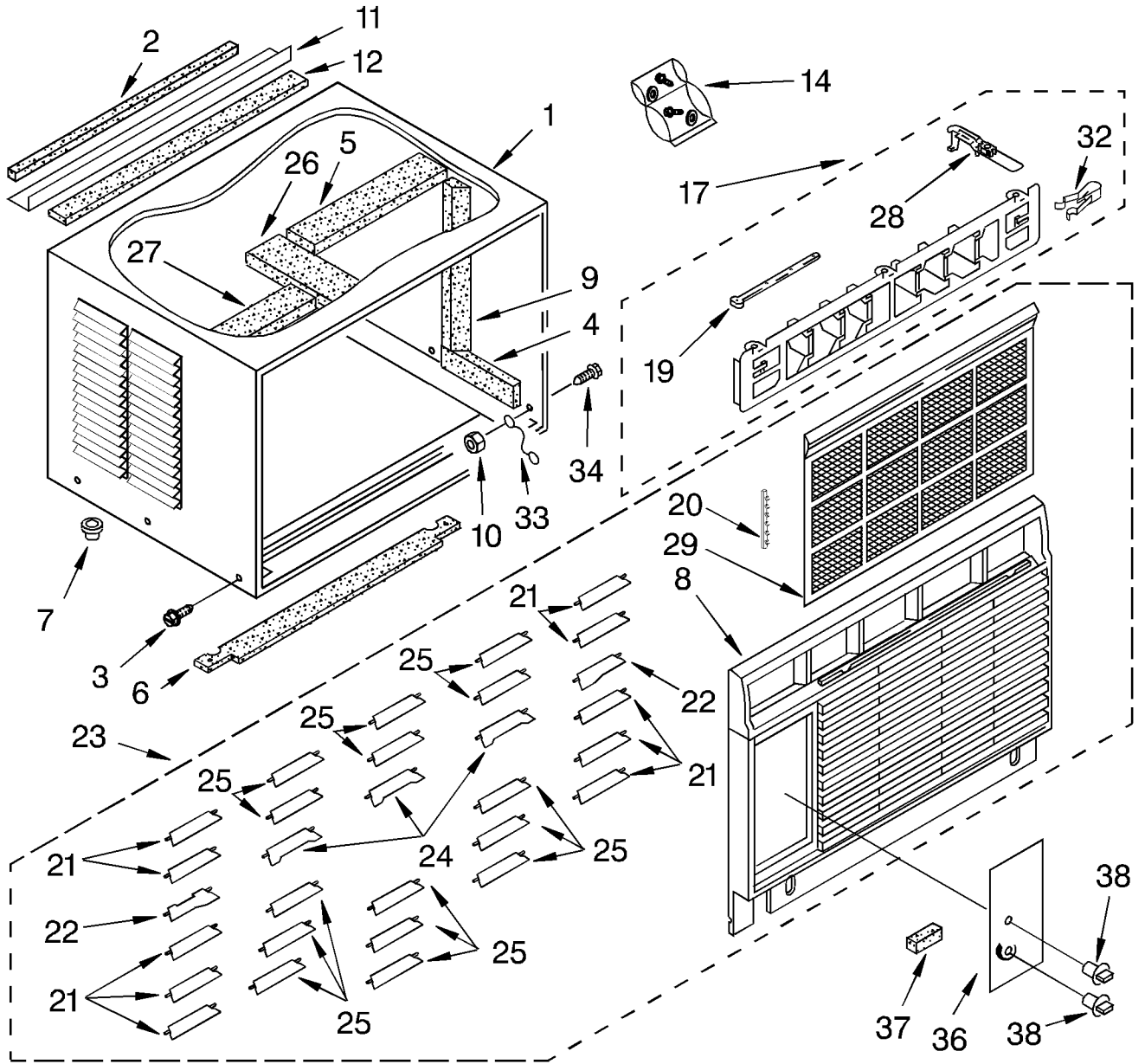
For Model: X18004D01



1	1157403	Shroud, Condenser
2	488480	Screw #8 X 1/2
3	488720	Screw #10 x 1/2
4	1163469	Screw #8 x 5/8
5	1163775	Clamp, Wiring
7	1157158	Screw #8-3/8
8	1157407	Top, Condenser
9	856094	Wire, Ground
10	1162616	Seal, Anti-Rub
11	1161710	Cord, Appliance
13	1166185	Capacitor
14	1160674	Bracket, Capacitor
15	1163332	Seal, Condensate Cup
17	1164511	Clip, Shroud (2)
19	1160709	Evap. Shroud Top
20	1166165	Panel, Control
21	1166169	Support, Unit (2)
23	1158732	Seal, Shroud
24	1165593	Dividing Wall
26	1157650	Switch Rotary
27	1156982	Wire, Thermostat To Switch
28	1160666	Shroud Assembly, Evaporator
33	488734	Screw, 6-32 x .175
34	1160657	Housing, Air
37	1165936	Harness, Wiring - Control Box
38	1161704	Control Box (R.S.)
39	1166164	Control Box (L.S.)
41	1160710	Cover, Top
46	1160214	Control, Temperature
47	1163758	Insul. Top Cover
51	1160684	Cup, Condensate

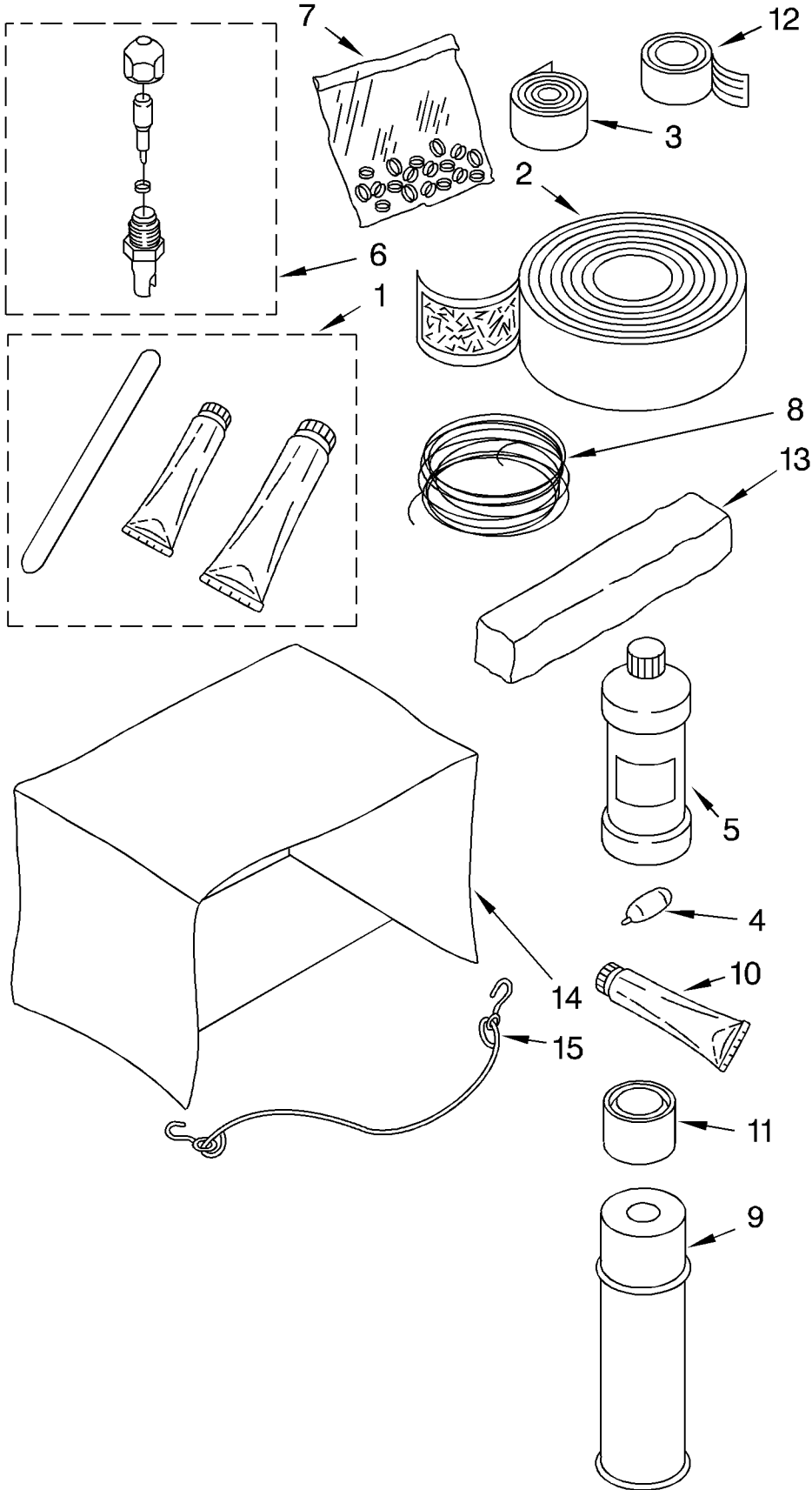
# CABINET PARTS

For Model: X18004D01



1	1161335	Cabinet (Includes Insulation)
2	469877	Gasket, Meeting Rail
3	1157158	Screw, 8 x 3/8 (3)
4	1160818	Insulation Cabinet Side (2)
5	1162100	Cab. Insulation
6	1160768	Seal
7	997285	Cup, Condensate Drain
8	1165020	Cabinet Front
9	1162099	Insulation Cabinet Side (2)
10	486529	Nut, Hex 8-32
11	644271	Angle, Top Mounting
12	1163784	Seal, Top Mounting Angle
14	1166387	Bag, Accessory
17	1162079	Vertical, Louver
19	1162077	Link, Vertical Louver (2)
20	1164167	Link, Horizontal Louver (5)
21	1165022	Horizontal Louver (10)
22	1165021	Horizontal Louver W/ Handle (2)
23	1165010	Front, Complete
24	1165023	Horizontal Louver W/ Handles (3)
25	1165024	Horizontal, Louver (15)
26	1162101	Insulation, Cab.
27	1162102	Cab. Insulation
28	1162078	Louver, Actuator (2)
29	1165026	Filter
32	641484	Spring, Detent (2)
33	857022	Wire, Ground
34	488234	Screw, 8-32 x 1/4
36	1166446	Plate, Escutcheon
37	470036	Spacer, Escutcheon
38	1158639	Knob (2)

OPTIONAL PARTS (NOT INCLUDED)  
For Model: X18004D01



1	799833	Epoxy, Tube (Aluminum Repair)
2	505168	Tape, No Drip 30'
3	479502	Tape, Vinyl 36'
4	10943	Oil, Turbine 1 Oz.
5	99243	Oil, Turbine 8 Oz.
6		Valve, Access
	876764	3/16" Tube O.D.
	978025	1/4" Tube O.D.
	978026	5/16" Tube O.D.
	978027	3/8" Tube O.D.
	978028	1/2" Tube O.D.
	978029	5/8" Tube O.D.
	978030	3/4" Tube O.D.
7	978865	Seal, Ring Access Valve (20-Pack)
8		Wire, 25'Roll
	10875	Blue 16 Ga.
	242820	Black 14 Ga.
	242825	Red 14 Ga.
	242826	White 14 Ga.
	47261	Black 12 Ga.
	299885	Red 12 Ga.
	47263	White 12 Ga.
9	813684	Adhesive, Insulation (24 Oz. Spray)
10	279368	Adhesive, Insulation (2 Oz. Tube)
11	485426	Paint, Touch-up Starlight Gray 1/2 Pint (Lacquer)
12	212643	Sealer, Permagum 4-1" Strips
13	99344	Sealer, Permagum 1 Lb. Bar
14		Cover, Winter
	484066	28"x19"x31"
	484067	19"x12"x14"
	484069	27"x19"x6 to 27"
	484184	22"x15"x3 to 18"
15	813610	Retainer, Cord (Winter Cover)

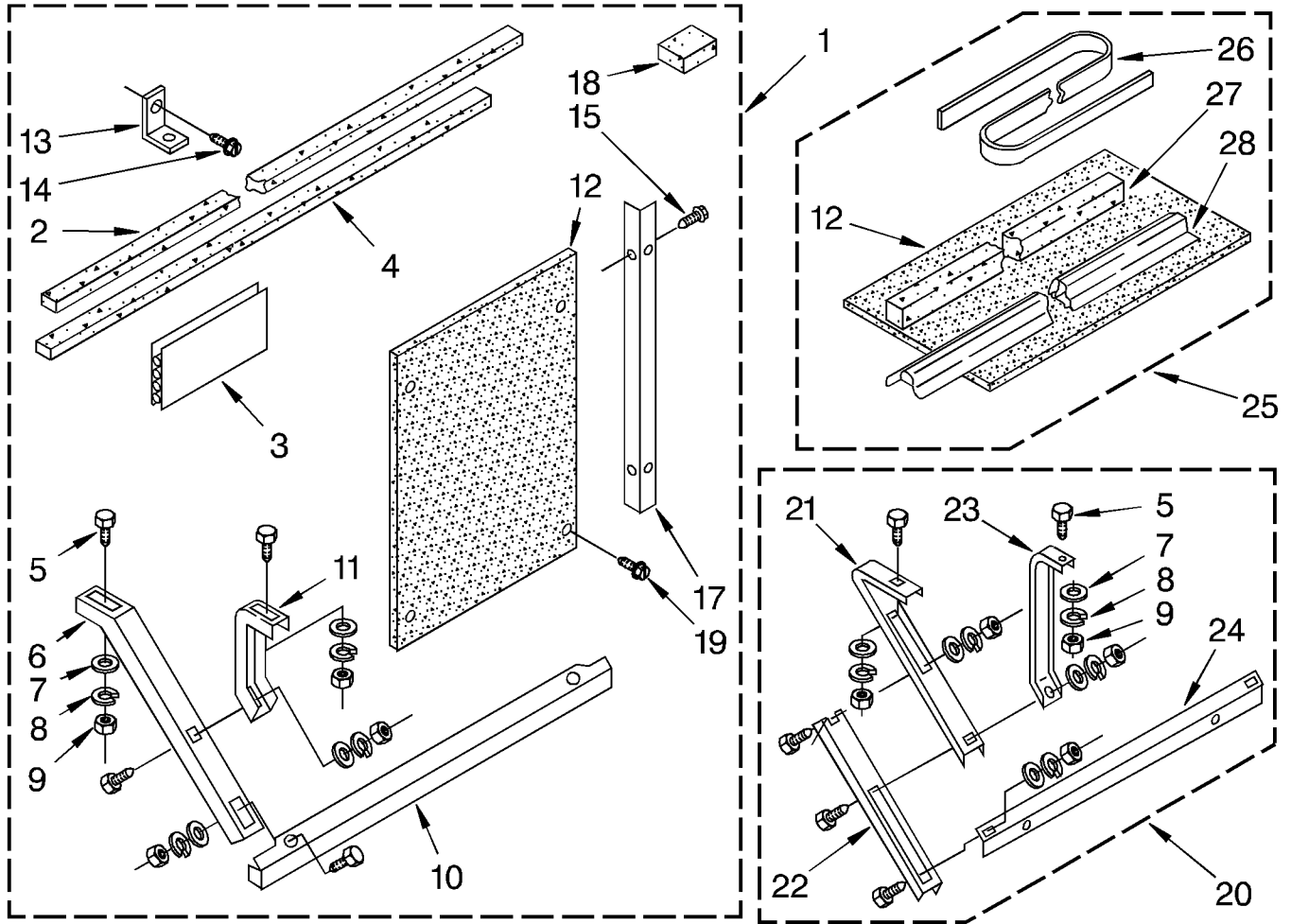


# INSTALLATION PARTS

For Model: X18004D01

An Installation Kit is included with your air conditioner. If repair parts are required at a later date, you may select the correct part number from this listing.

Other Installation Kits shown below may be ordered where special circumstances require them.



1	1163842	Kit, Standard Installation
2	1166388	Foam, Strip
3	470168	Sealer, Gum
4	855265	Seal, Strip
5	488750	Bolt, 1/4 x 3/4 (6)
6	649945	Support, Cabinet (2)
7	488808	Washer (6)
8	486009	Lockwasher (6)
9	486035	Nut, Hex (6)
10	649947	Bracket, Support
11	649946	Support, Retainer (2)
12	1166266	Board, Filler
13	644228	Bracket
14	487371	Screw, 10 x 3/4
15	1157158	Screw, 10 x 1/2
17	644272	Angle (2)
18	995274	Spacer, Block (4)
19	488017	Screw, 8 x 3/8
20	485679	Kit, Outside Support
21	644283	Support, Cabinet (2)
22	644284	Extension, Support (2)
23	644285	Retainer, Cabinet (2)
24	644281	Bracket, Support
25	485856	Kit, Wide Window
26	856979	Strip, Seal
27	470800	Seal, Meeting Rail
28	485457	Gasket, Sash (54")

Following Parts Not Illustrated

LITERATURE PARTS

LIT998618	Instructions, Installation (Standard and Wide Window Kits)
LIT485707	Instructions, Installation (Outside Support Kit)