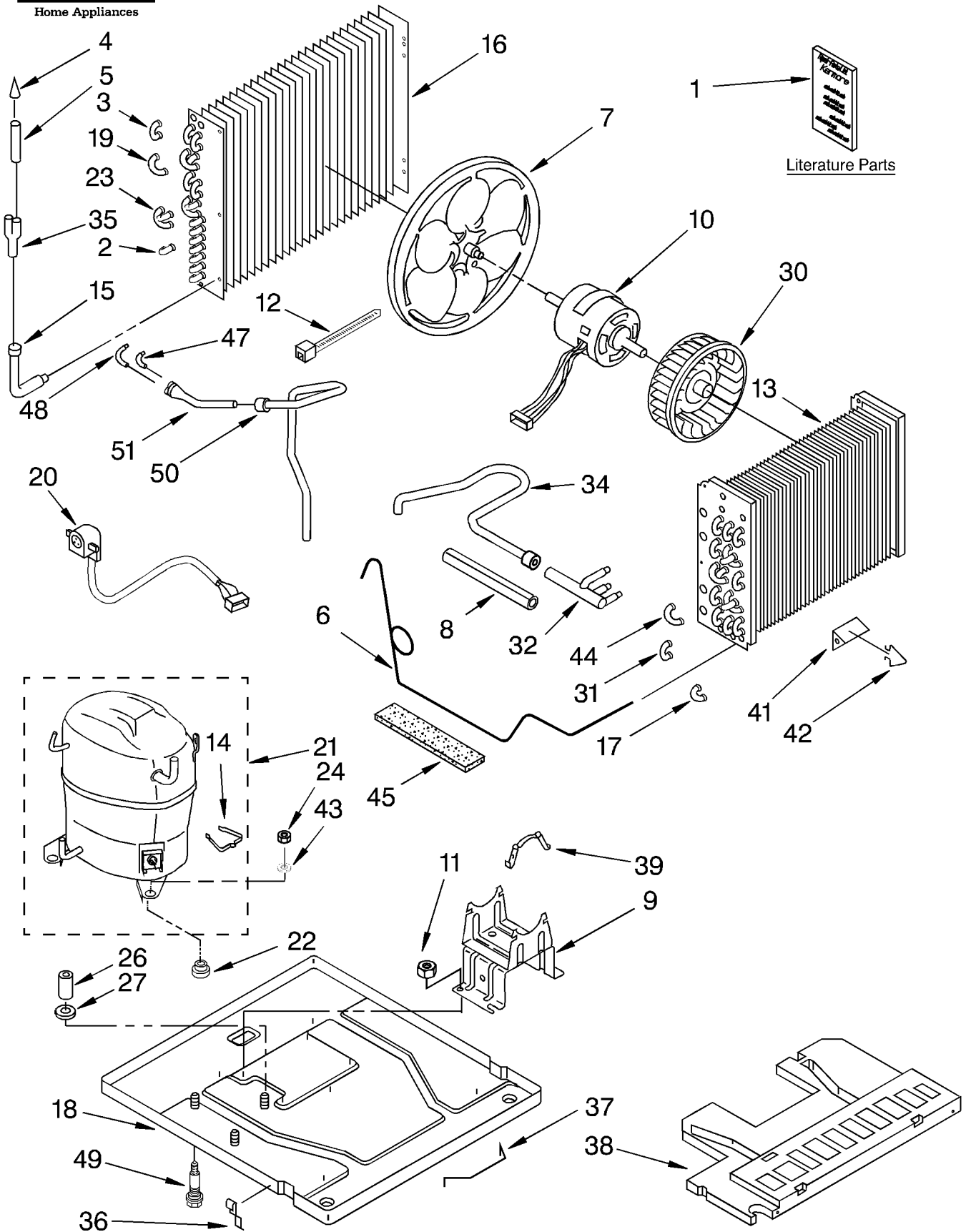


x x

UNIT PARTS

For Model: X18004D02

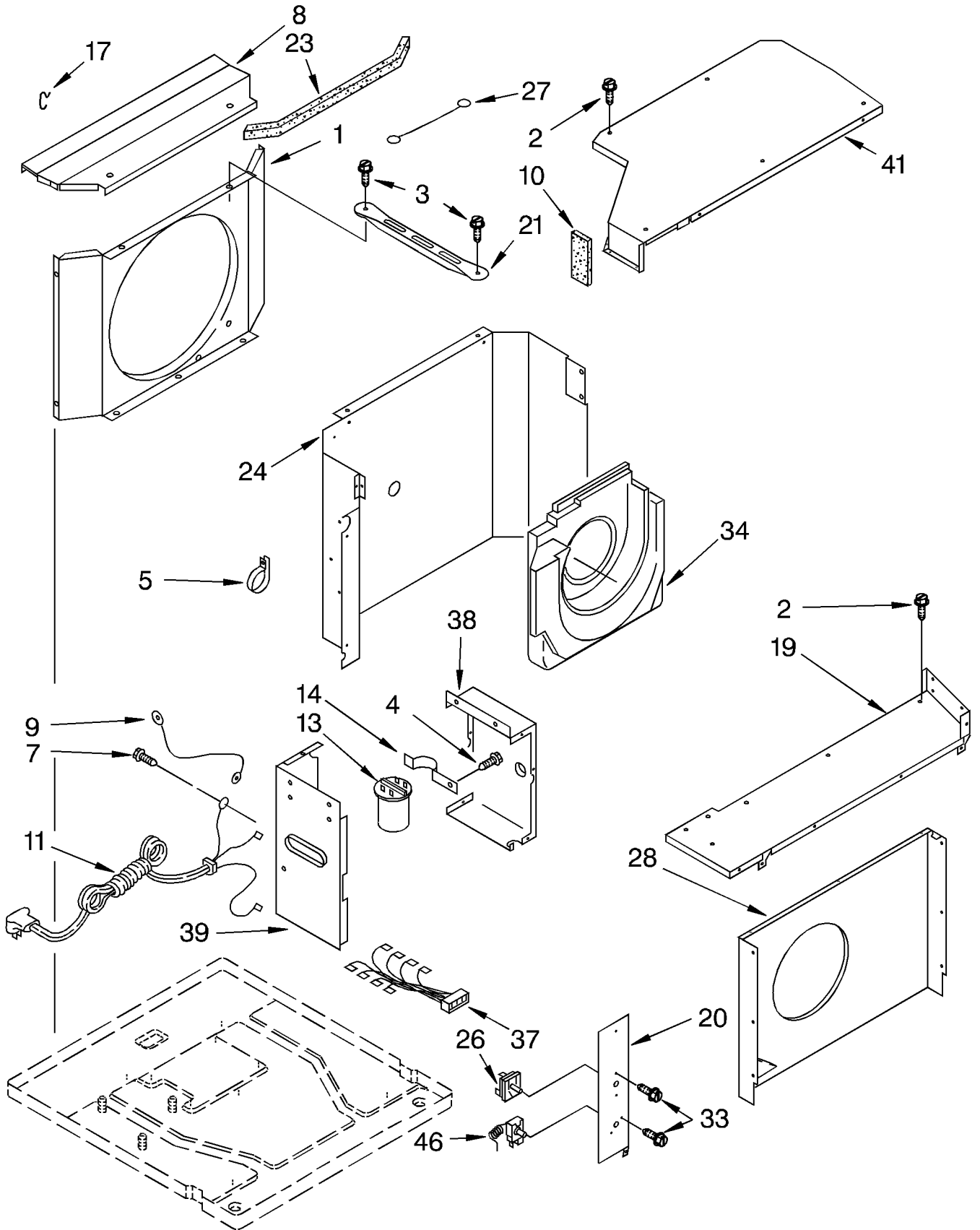


1		LITERATURE PARTS
	LIT1165607	Wiring Diagram
	LIT1166448	Manual, Owners
	LIT1168108	Tech Sheet
2	708532	Bend, Return Condenser (10)
3	708531	Bend, Return Condenser (4)
4	49599	Strainer, Tube
5	1155598	Tube, Outlet (Includes Illus. 4)
6	1166217	Tube, Restrictor (3)
7	1158665	Blade, Fan (Condenser)
8	1160870	Seal, Suction Tube
9	1160672	Bracket, Fan Motor
10	1166225	Motor, Fan
11	1160408	Nut
12	602851	Tie, Cable
13	1161712	Evaporator
14	1161083	Retainer, Cover
15	1158703	Tube, Connect
16	1161511	Condenser
17	854624	Bend, Return (3)
18	1162105	Base
19	1158407	Return Bend (1)
20	1166219	Harness, Wiring (Compressor)
21	1166173	Compressor
22	1165973	Grommet (3)
23	1158685	Return Bend 3-Way
24	858121	Locknut (3)
26	1160655	Extension, Shoulder
27	1160654	Spacer, Grommet
30	1158443	Wheel, Blower (Evaporator)
31	855199	Return Bend (10)
32	1163753	Manifold, Suction
34	1166184	Tube, Suction
35	947364	Tube, Flow Divider
36	471088	Clamp (2)
37	647971	Handle, Base
38	1160656	Pan, Drain
39	1157015	Clip, Motor (2)
41	1166782	Anticipator
42	642080	Clip, Anticipator
43	1160880	Washer (3)
44	855644	Bend, Return (3)
45	1163759	Seal, Restrictor Tube
47	1166188	Tube, Feeder
48	1166187	Tube, Feeder
49	1165674	Bolt, Compressor
50	1166093	Tube, Discharge (Bottom)
51	1167293	Tube, Discharge (Top)

REFRIGERANT CHARGE 31.5 OZ.

AIRFLOW AND CONTROL PARTS

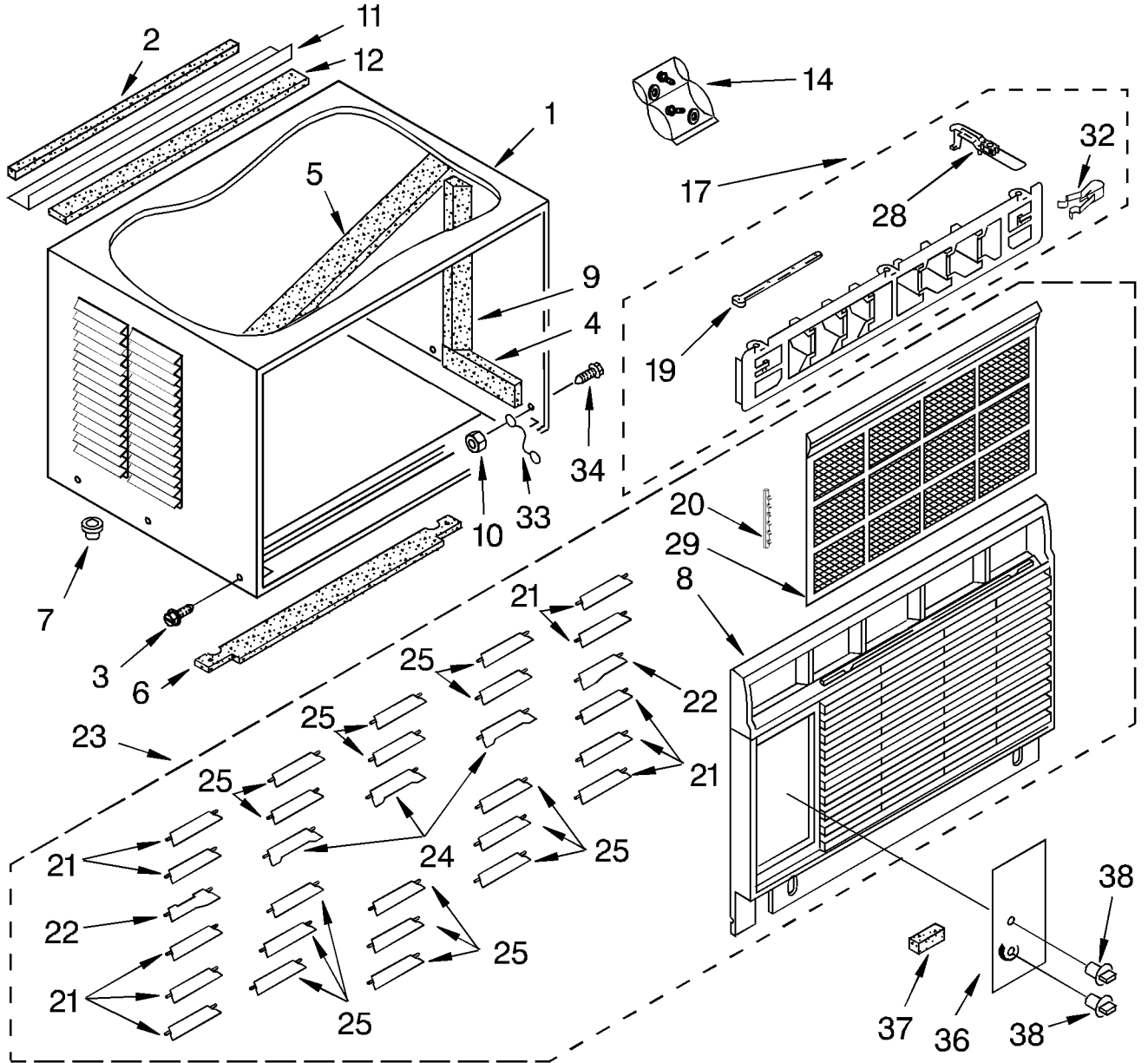
For Model: X18004D02



1	1157403	Shroud, Condenser
2	488480	Screw #8 X 1/2
3	488720	Screw #10 x 1/2
4	1163469	Screw #8 x 5/8
5	1163775	Clamp, Wiring
7	1157158	Screw #8-3/8
8	1157407	Top, Condenser
9	856094	Wire, Ground
10	1162616	Seal, Anti-Rub
11	1167647	Cord, Appliance
13	1162594	Capacitor
14	1167611	Bracket, Capacitor
17	1164511	Clip, Shroud (2)
19	1160709	Evap. Shroud Top
20	1166165	Panel, Control
21	1166169	Support, Unit (2)
23	1158732	Seal, Shroud
24	1165593	Dividing Wall
26	1157650	Switch Rotary
27	1156982	Wire, Thermostat To Switch
28	1160666	Shroud Assembly, Evaporator
33	488734	Screw, 6-32 x .175
34	1160657	Housing, Air
37	1167524	Harness, Wiring - Control Box
38	1161704	Control Box (R.S.)
39	1167615	Control Box (L.S.)
41	1160710	Cover, Top
46	1160214	Control, Temperature

CABINET PARTS

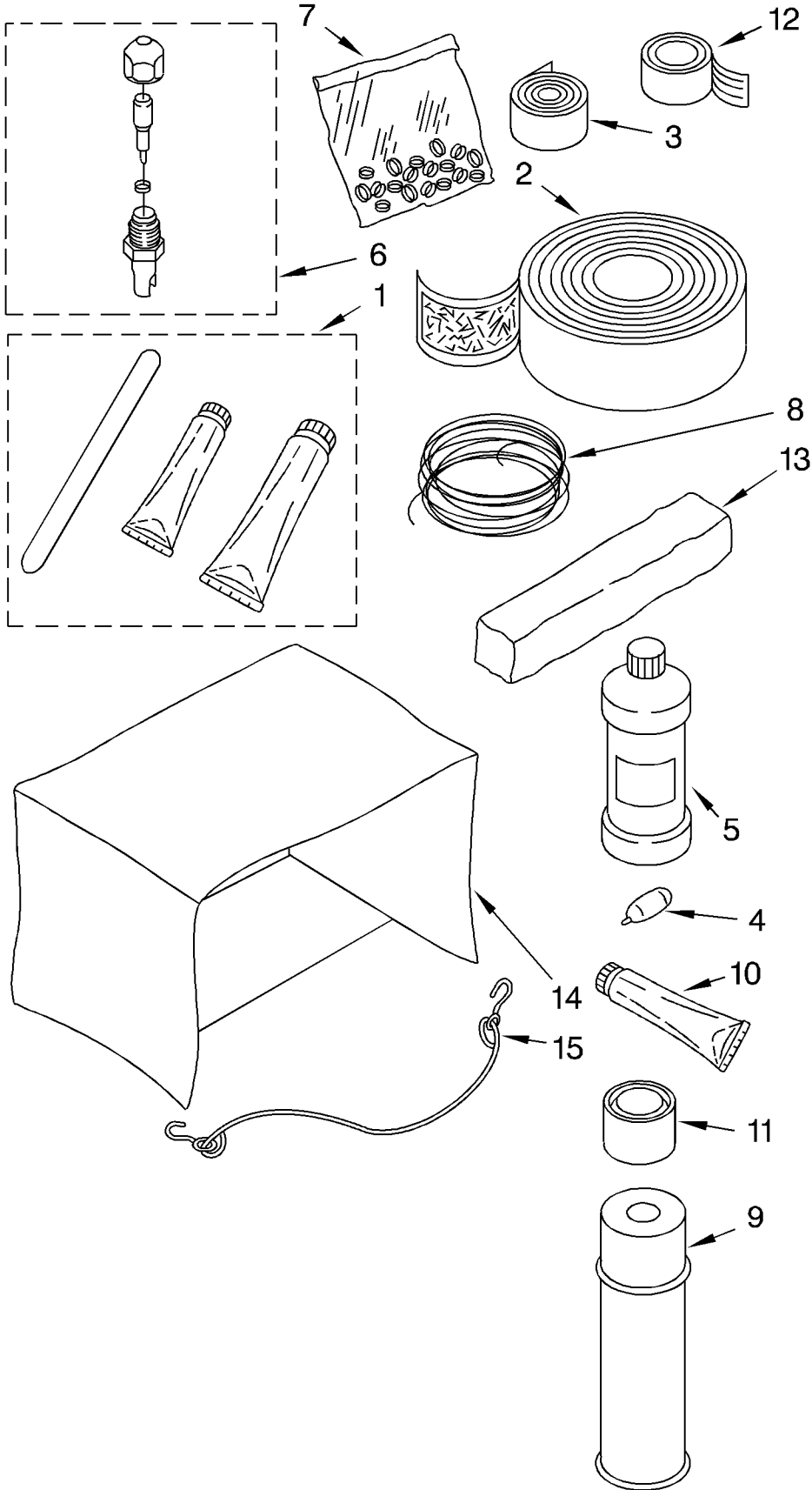
For Model: X18004D02



1	1161335	Cabinet (Includes Insulation)
2	469877	Gasket, Meeting Rail
3	1157158	Screw, 8 x 3/8 (3)
4	1160818	Insulation, Cabinet Side (2)
5	1167203	Insulation, Cabinet
6	1160768	Seal
7	997285	Cup, Condensate Drain
8	1165020	Front, Frame
9	1162099	Insulation Cabinet Side (2)
10	486529	Nut, Hex 8-32
11	644271	Angle, Top Mounting
12	1163784	Seal, Top Mounting Angle
14	1166387	Bag, Accessory
17	1167096	Louver, Vertical
19	1162077	Link, Vertical Louver (2)
20	1164167	Link, Horizontal Louver (5)
21	1165022	Louver, Horizontal (10)
22	1165021	Louver, Horizontal W/ Handle (2)
23	1165010	Front, Complete
24	1165023	Louver, Horizontal W/ Handles (3)
25	1165024	Louver, Horizontal (15)
28	1162078	Actuator, Louver (2)
29	1165026	Filter
32	1167095	Spring, Detent (2)
33	857022	Wire, Ground
34	488234	Screw, 8-32 x 1/4
36	1166446	Plate, Escutcheon
37	470036	Spacer, Escutcheon
38	1158639	Knob (2)

OPTIONAL PARTS (NOT INCLUDED)

For Model: X18004D02



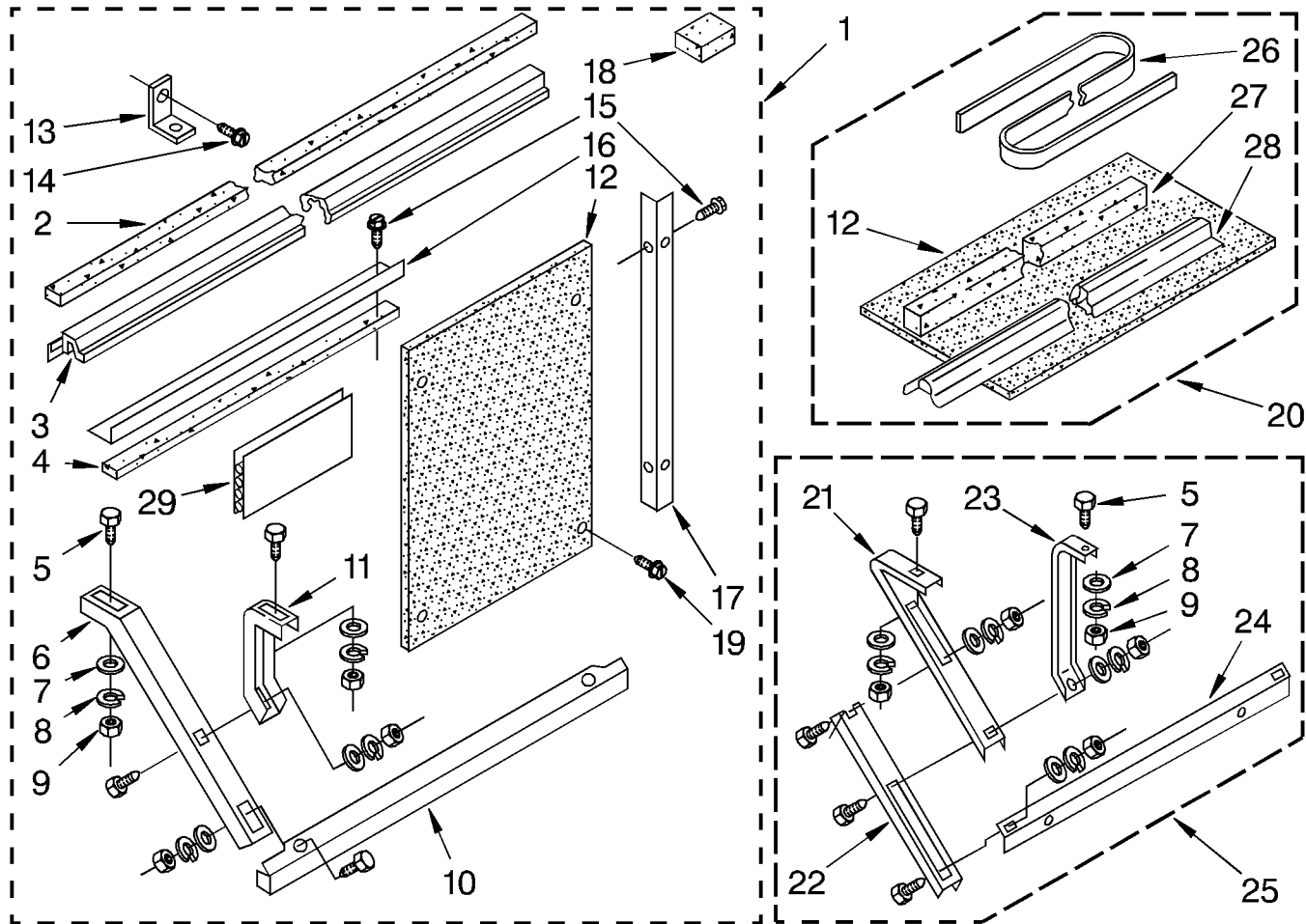
1	799833	Epoxy, Tube (Aluminum Repair)
2	505168	Tape, No Drip 30'
3	479502	Tape, Vinyl 36'
4	10943	Oil, Turbine 1 Oz.
5	99243	Oil, Turbine 8 Oz.
6		Valve, Access
	876764	3/16" Tube O.D.
	978025	1/4" Tube O.D.
	978026	5/16" Tube O.D.
	978027	3/8" Tube O.D.
	978028	1/2" Tube O.D.
	978029	5/8" Tube O.D.
	978030	3/4" Tube O.D.
7	978865	Seal, Ring Access Valve (20-Pack)
8		Wire, 25'Roll
	10875	Blue 16 Ga.
	242820	Black 14 Ga.
	242825	Red 14 Ga.
	242826	White 14 Ga.
	47261	Black 12 Ga.
	299885	Red 12 Ga.
	47263	White 12 Ga.
9	813684	Adhesive, Insulation (24 Oz. Spray)
10	279368	Adhesive, Insulation (2 Oz. Tube)
11	485426	Paint, Touch-up Starlight Gray 1/2 Pint (Lacquer)
12	212643	Sealer, Permagum 4-1" Strips
13	99344	Sealer, Permagum 1 Lb. Bar
14		Cover, Winter
	484066	28"x19"x31"
	484067	19"x12"x14"
	484069	27"x19"x6 to 27"
	484184	22"x15"x3 to 18"
15	813610	Retainer, Cord (Winter Cover)

INSTALLATION PARTS

WINDOW MOUNTING KITS

For Model: X18004D02

The Accessory Installation Kits illustrated below may or may not be included with your Air Conditioner. They have been made available only as an accessory to help you install the Air Conditioner where special circumstances may require them. If one of these accessory kits has been installed with your Air Conditioner and repair parts are required at some later date, you may select the correct part number from this listing.



1	1162147	Kit, Standard Installation
2	469877	Seal, Meeting Rail
3	1166388	Gasket, Sash
4	855265	Strip, Seal
5	488750	Bolt, 1/4 x 3/4 (6)
6	649945	Support, Cabinet (2)
7	488808	Washer (6)
8	486009	Lockwasher (6)
9	486035	Nut, Hex (6)
10	649947	Bracket, Support
11	649946	Support, Retainer (2)
12	1166266	Board, Filler
13	644228	Bracket
14	487371	Screw (Window Lock Bracket)
15	488624	Screw (Side & Top Angles to Cabinet)
16	644271	Angle (Top)
17	644272	Angle (2)
18	995274	Spacer, Block (4)
19	1166265	Screw (Side Angle To Filler Board)
20	485679	Kit, Outside Support
21	644283	Support, Cabinet (2)
22	644284	Extension, Support (2)
23	644285	Retainer, Cabinet (2)
24	644281	Bracket, Support
25	485856	Kit, Wide Window
26	856979	Strip, Seal
27	470800	Seal, Meeting Rail
28	485457	Gasket, Sash (54")
29	470168	Sealer, Gum Type

Following Parts Not Illustrated

LITERATURE PARTS

LIT1166072	Instructions, Installation (Standard Mounting Kit)
LIT1155965	Instructions, Installation (Wide Window Kit)
LIT485707	Instructions, Installation (Outside Support Kit)