

This Owner's Manual is provided and hosted by [Appliance Factory Parts](#).



WHIRLPOOL X18004A0 Owner's Manual

[Shop genuine replacement parts for WHIRLPOOL
X18004A0](#)



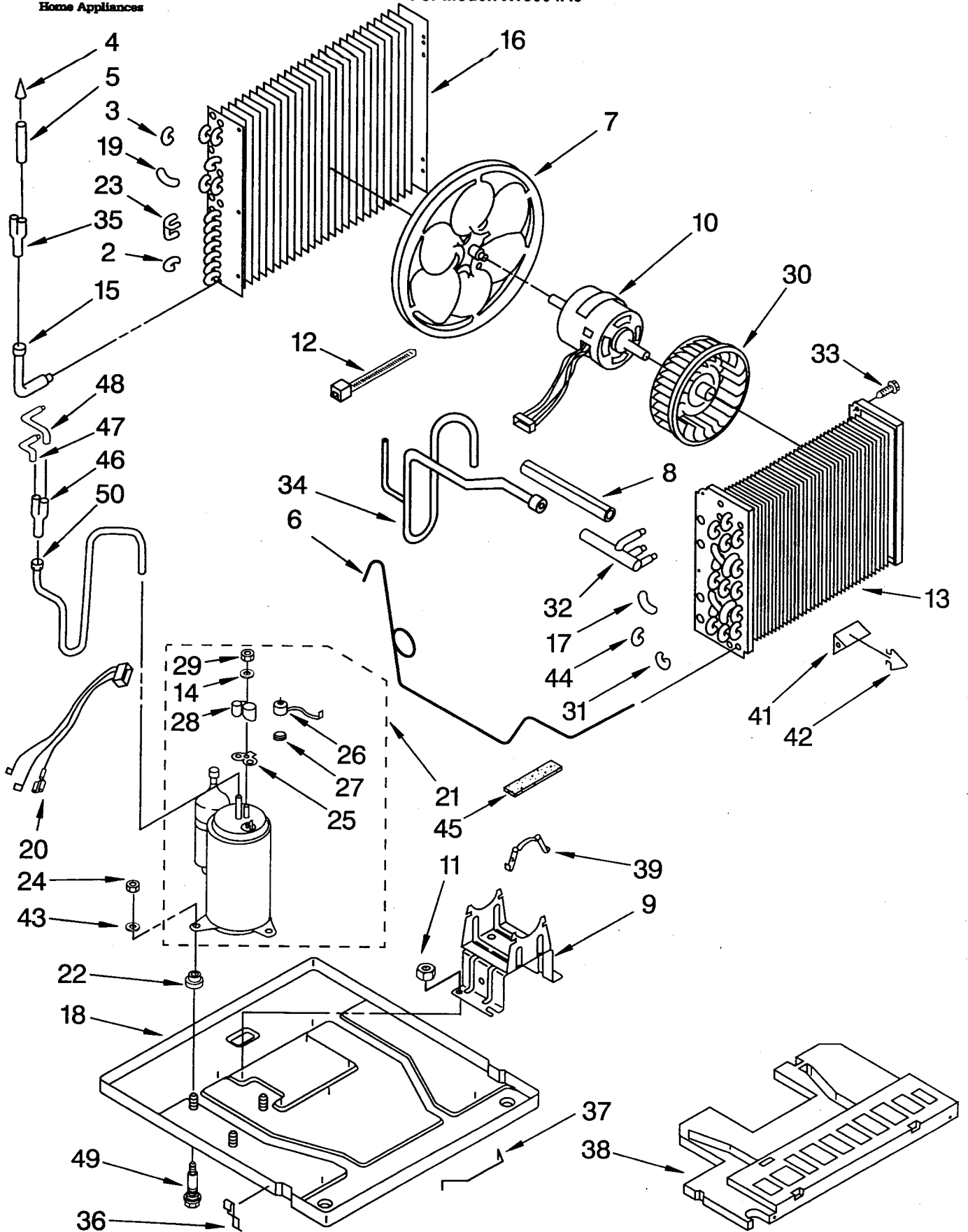
[Find Your WHIRLPOOL Air Conditioner Parts - Select From 1257 Models](#)

----- Manual continues below -----

UNIT PARTS

For Model: X18004A0

AIR CONDITIONER



2	708532	Bend, Return Condenser (10)
3	708531	Bend, Return Condenser (4)
4	49599	Strainer, Tube
5	1155598	Tube, Outlet (Includes Illus. 4)
6	1161074	Tube, Restrictor (3)
7	1158665	Blade, Fan (Condenser)
8	1160870	Seal, Suction Tube
9	1160672	Bracket, Fan Motor
10	1164685	Motor, Fan
11	1160408	Nut
12	602851	Tie, Cable
13	1161712	Evaporator
14	950037	Gasket, Nut
15	1158703	Tube, Connect
16	1161080	Condenser
17	854624	Bend, Return (3)
18	1161523	Base
19	1158407	Return Bend (1)
20	1161054	Harness, Wiring (Compressor Service)
21	1155501	Compressor
22	950021	Grommet (3)
23	1158685	Return Bend 3-Way
24	858121	Locknut (3)
25	950035	Gasket, Terminal Cover
26	1155605	Overload
27	950032	Spring, Overload
28	950036	Cover, Terminal
29	950027	Nut, Terminal Cover
30	1158443	Wheel, Blower (Evaporator)
31	855199	Return Bend (10)
32	1163753	Manifold, Suction
33	1157158	Screw #8-3/8
34	1163921	Tube, Suction
35	947364	Tube, Flow Divider
36	471088	Clamp (2)
37	647971	Handle, Base
38	1160656	Pan, Drain
39	1157015	Clip, Motor (2)
41	484238	Anticipator
42	642080	Clip, Anticipator
43	1160880	Washer (3)
44	855644	Bend, Return (3)
45	1163759	Seal, Restrictor Tube
46	1159832	Tube, Flow Divider
47	1161071	Tube, Feeder
48	1160358	Tube, Feeder
49	1158668	Bolt, Compressor
50	1161078	Tube, Discharge

LITERATURE PARTS

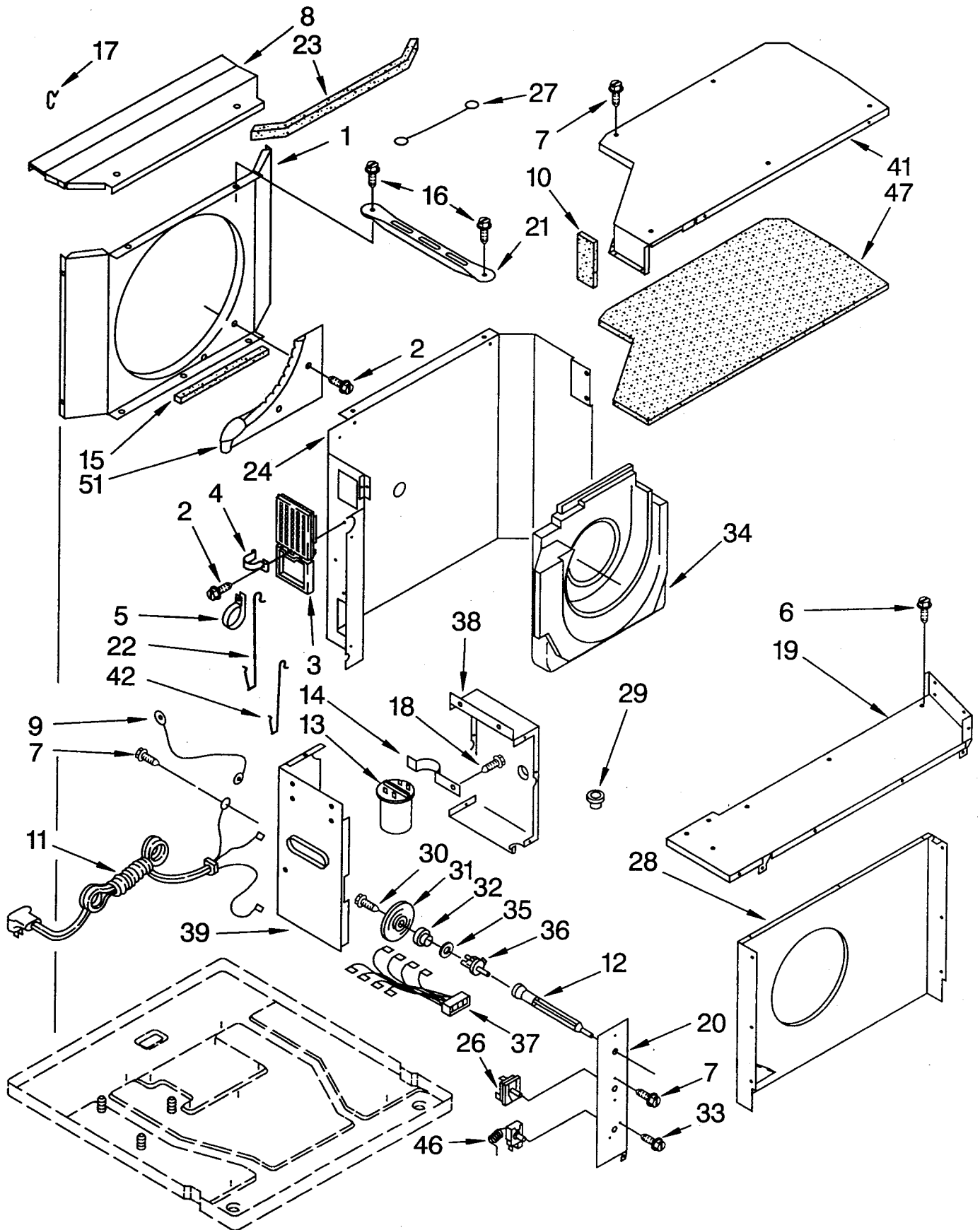
LIT1157635	Wiring Diagram
LIT1164940	Manual, Owners
LIT1165596	Tech Sheet

REFRIGERANT CHARGE 30.5 OZ.

Production Compressor Requires Production Electrical Components. Service
Compressor Requires Electrical Components. For Further Information, Refer to
Filmcard 19.1

AIRFLOW AND CONTROL PARTS

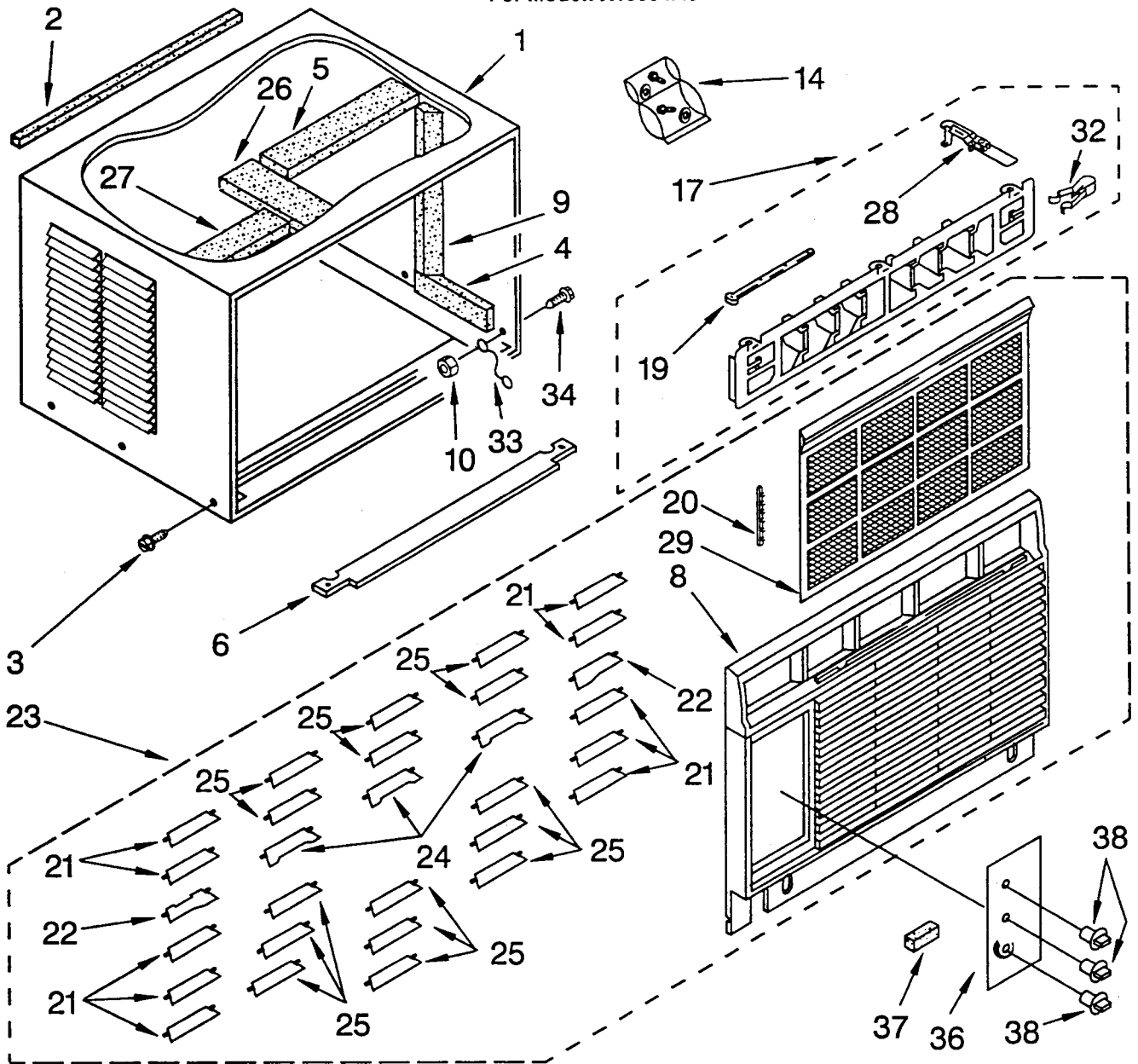
For Model: X18004A0



1	1157403	Shroud, Condenser
2	1159222	Screw
3	1160652	Door, Air (2)
4	1160653	Spring, Door (2)
5	1163775	Clamp, Wiring
6	488624	Screw 8 x 3/8
7	1157158	Screw #8-3/8
8	1157407	Top, Condenser
9	856094	Wire, Ground
10	1162616	Seal, Anti-Rub
11	1161710	Cord, Appliance
12	1161504	Control, Shaft
13	1163756	Capacitor
14	1160674	Bracket, Capacitor
15	1163332	Seal, Condensate Cup
16	1157158	Screw, 3/8
17	1164511	Clip, Shroud (2)
18	1163469	Screw 8 x 5/8
19	1160709	Evap. Shroud Top
20	1160676	Panel, Control
21	1160708	Support, Unit (2)
22	1162063	Wire, Control Fresh Air
23	1158732	Seal, Shroud
24	1164483	Dividing Wall
26	1157650	Switch Rotary
27	1156982	Wire, Thermostat To Switch
28	1160666	Shroud Assembly, Evaporator
29	997285	Cup, Condensate Drain
30	489092	Screw 7-18 x 5/8
31	647882	Cam, Exhaust
32	647879	Bushing, Shaft
33	488734	Screw, 6-32 x .175 (2)
34	1160657	Housing, Air
35	1161313	Washer
36	993262	Shaft, Control Exhaust
37	1165936	Harness, Wiring - Control Box
38	1161704	Control Box (R.S.)
39	1160683	Control Box (L.S.)
41	1160710	Cover, Top
42	1161333	Wire, Control Exhaust
46	1160214	Control, Temperature
47	1163758	Insul. Top Cover
51	1160684	Cup, Condensate

CABINET PARTS

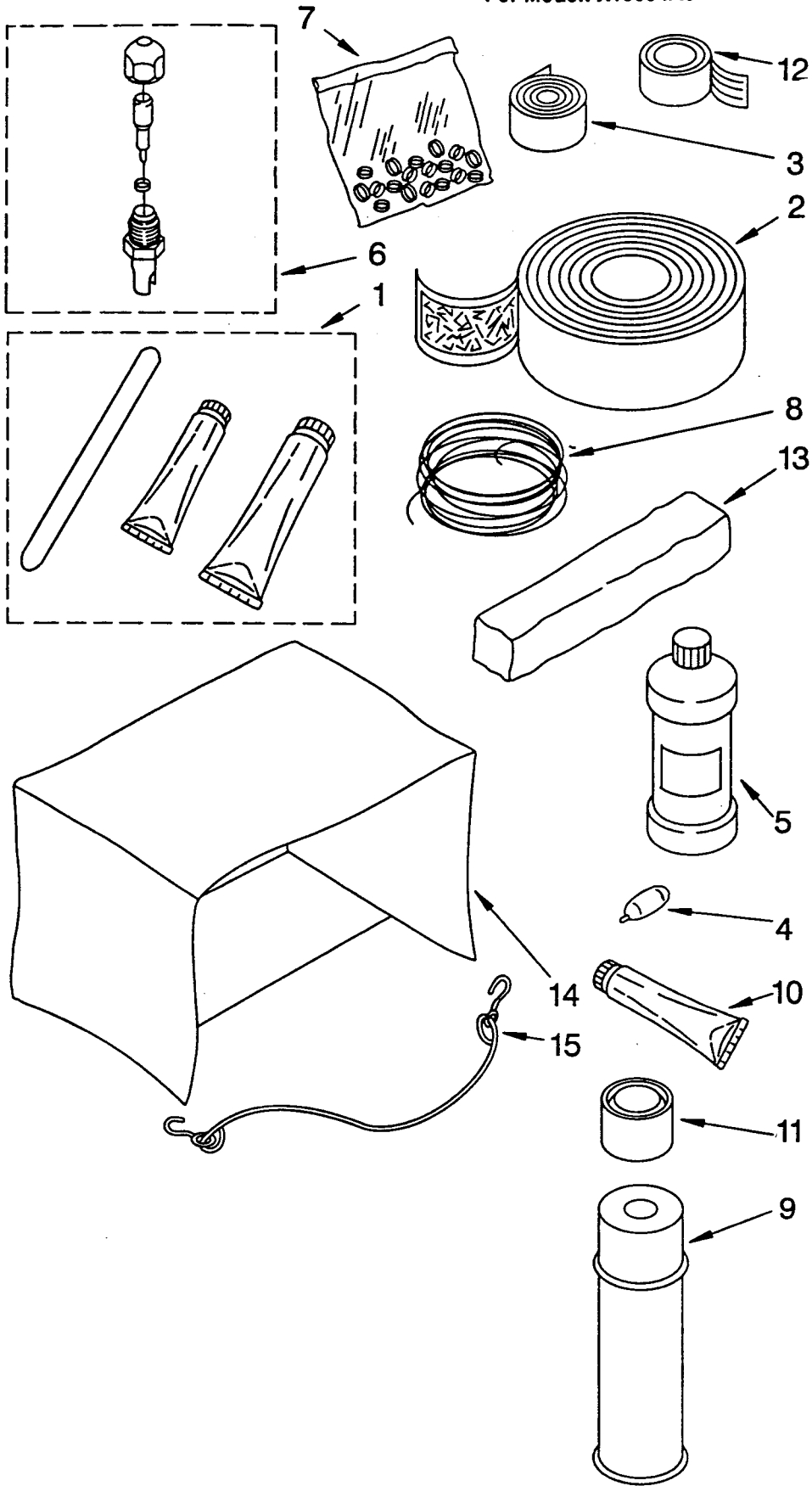
For Model: X18004A0



1	1161335	Cabinet (Includes Insulation)
2	469877	Gasket, Meeting Rail
3	1157158	Screw, 8 x 3/8 (3)
4	1160818	Insulation Cabinet Side (2)
5	1162100	Cab. Insulation
6	1160768	Seal
8	1165020	Cabinet Front
9	1162099	Insulation Cabinet Side (2)
10	486529	Nut, Hex 8-32
14	1158746	Bag, Accessory
17	1162079	Vertical, Louver (Includes Illus. 19, 28, 32)
19	1162077	Link, Vertical Louver (2)
20	1164167	Link, Horizontal Louver (5)
21	1165022	Horizontal Louver (10)
22	1165021	Horizontal Louver W/ Handle (2)
23	1165010	Front, Complete
24	1165023	Horizontal Louver W/ Handles (3)
25	1165024	Horizontal, Louver (15)
26	1162101	Insulation, Cab.
27	1162102	Cab. Insulation
28	1162078	Louver, Actuator (2)
29	1165026	Filter
32	641484	Spring, Detent (2)
33	857022	Wire, Ground
34	488234	Screw, 8-32 x 1/4
36	1164929	Plate, Escutcheon
37	470036	Spacer, Escutcheon
38	1158639	Knob (3)

OPTIONAL PARTS (NOT INCLUDED)

For Model: X18004A0



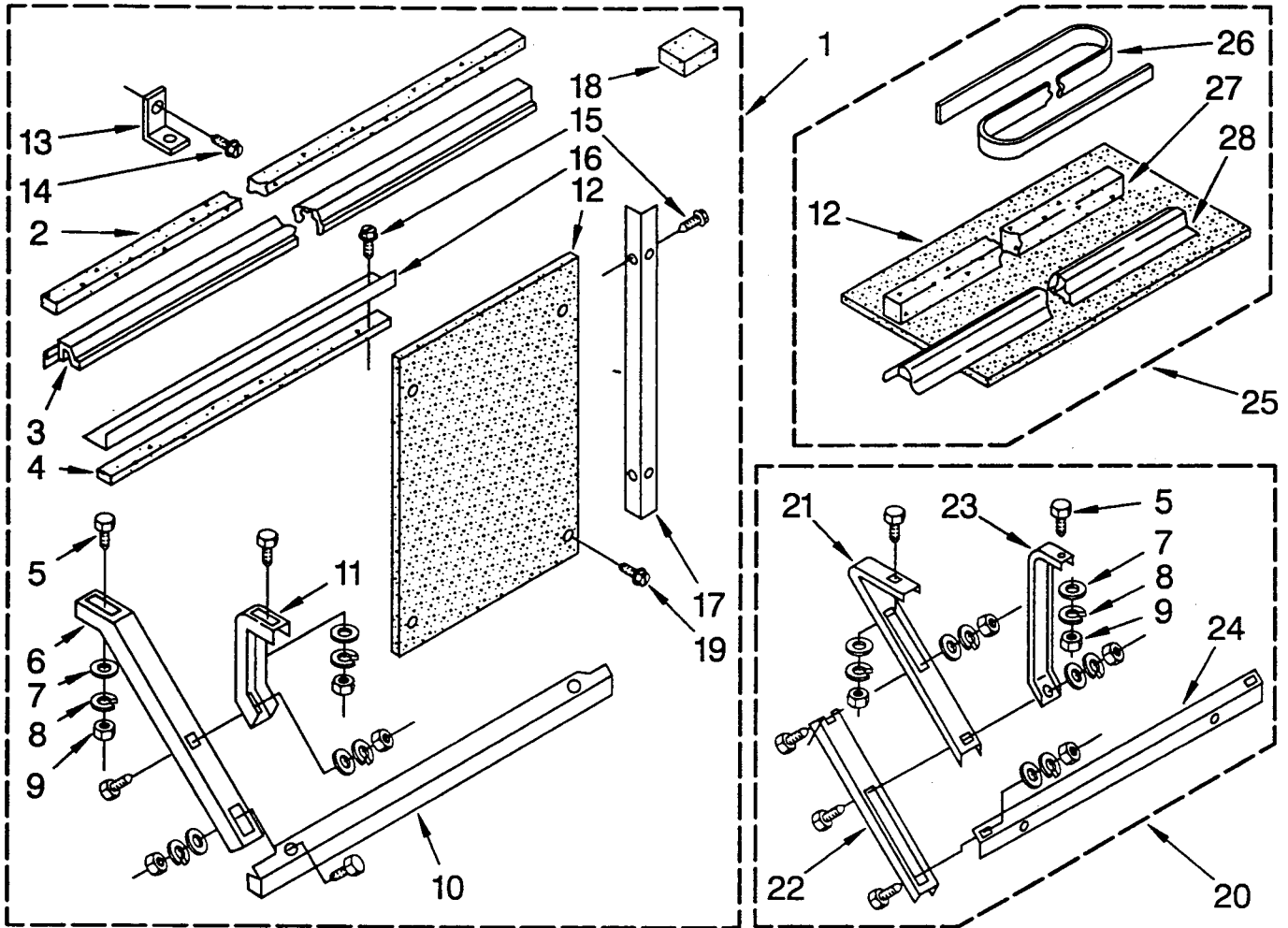
1	799833	Epoxy, Tube (Aluminum Repair)
2	505168	Tape, No Drip 30'
3	479502	Tape, Vinyl 36'
4	10943	Oil, Turbine 1 Oz.
5	99243	Oil, Turbine 8 Oz.
6		Valve, Access
	876764	3/16" Tube O.D.
	978025	1/4" Tube O.D.
	978026	5/16" Tube O.D.
	978027	3/8" Tube O.D.
	978028	1/2" Tube O.D.
	978029	5/8" Tube O.D.
	978030	3/4" Tube O.D.
7	978865	Seal, Ring Access Valve (20-Pack)
8		Wire, 25' Roll
	10875	Blue 16 Ga.
	242820	Black 14 Ga.
	242825	Red 14 Ga.
	242826	White 14 Ga.
	47261	Black 12 Ga.
	299885	Red 12 Ga.
	47263	White 12 Ga.
9	813684	Adhesive, Insulation (24 Oz. Spray)
10	279368	Adhesive, Insulation (2 Oz. Tube)
11	485426	Paint, Touch-up Starlight Gray 1/2 Pint (Lacquer)
12	212643	Sealer, Permagum 4-1" Strips
13	99344	Sealer, Permagum 1 Lb. Bar
14		Cover, Winter
	484066	28"x19"x31"
	484067	19"x12"x14"
	484069	27"x19"x6 to 27"
	484184	22"x15"x3 to 18"
15	813610	Retainer, Cord (Winter Cover)

INSTALLATION PARTS

For Model: X18004A0

An Installation Kit is included with your air conditioner. If repair parts are required at a later date, you may select the correct part number from this listing.

Other Installation Kits shown below may be ordered where special circumstances require them.



1	1163842	Kit, Standard Installation
2	1163784	Seal
3	644288	Gasket, Sash
4	852265	Strip, Seal
5	488750	Bolt, 1/4 x 3/4 (6)
6	649945	Support, Cabinet (2)
7	488808	Washer (6)
8	486009	Lockwasher (6)
9	486035	Nut, Hex (6)
10	649947	Bracket, Support
11	649946	Support, Retainer (2)
12	644303	Board, Filler
13	644228	Bracket
14	487371	Screw, 10 x 3/4
15	1157158	Screw, 10 x 1/2
16	644271	Angle (Top)
17	644272	Angle (2)
18	995274	Spacer, Block (4)
19	488017	Screw, 8 x 3/8
20	485679	Kit, Outside Support
21	644283	Support, Cabinet (2)
22	644284	Extension, Support (2)
23	644285	Retainer, Cabinet (2)
24	644281	Bracket, Support
25	485856	Kit, Wide Window
26	856979	Strip, Seal
27	470800	Seal, Meeting Rail
28	485457	Gasket, Sash (54")

Following Parts Not Illustrated

LITERATURE PARTS

LIT998618	Instructions, Installation (Standard and Wide Widow Kits)
LIT485707	Instructions, Installation (Outside Support Kit)

952440 1185
miscellaneous headers