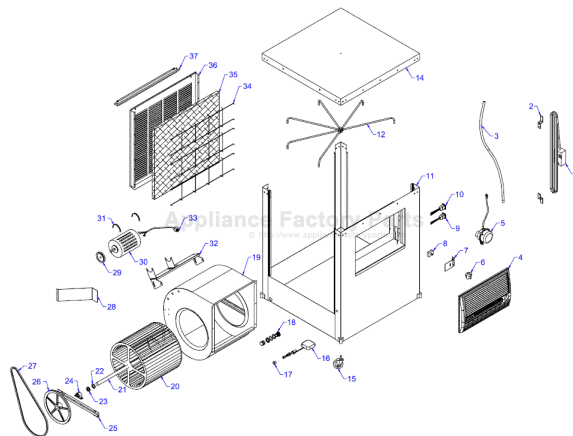


This Owner's Manual is provided and hosted by [Appliance Factory Parts](#).



# ESSICK M500 Owner's Manual

[Shop genuine replacement parts for ESSICK M500](#)



[Find Your ESSICK Evaporative Cooler Parts - Select From 70 Models](#)

----- Manual continues below -----

# GADABOUT

## *Mobile* Evaporative Air Coolers



## Cooling on the Go!

- **Portable** Compact Size and Heavy-Duty Swivel Casters Make it Easy to Use Anywhere
- **Powerful** Airflow and Cooling Performance is Unbeatable
- **Best Warranty** Unmatched by Similar Products on the Market
- **Built-In Convenience** Large Water Reservoir Ensures Hours of Cooling and is a Safe Alternative When Hose Connection is Dangerous or Impractical
- **Durable** Polyester Powder Coat Finish Resists Weather and Impact
- **Made in USA**
- **Affordable** Spot Cool Areas for Just Pennies an Hour!
- **UL Listed**

*Unique*

### Put Cooling Where You Need it Most – Inside or Out!

Sporting Events • Work Areas • Patios • Recreational Areas • Warehouse • Loading Docks



# GADABOUT

## Mobile Evaporative Air Coolers

**Model M500**  
5000 CFM



- 3/4 HP Motor
- 47-Gallon Water Reservoir
- Unique* • Oil-Filled Submersible Pump for Long-Lasting Operation
- Unique* • Coolpad® Evaporative Media for Optimum Cooling
- Unique* • Recessed Grille with Convenient 4-Way Directional Air Control
- Unique* • 5-Year Limited Warranty on Cabinet and 2-Year Limited Warranty on Parts Unmatched by Similar Products
- UL Listed

**Model M400**  
4000 CFM



- 1/2 HP Motor
- 34-Gallon Water Reservoir
- Unique* • Oil-Filled Submersible Pump for Long-Lasting Operation
- Unique* • Coolpad® Evaporative Media for Optimum Cooling
- Unique* • Recessed Grille with Convenient 4-Way Directional Air Control
- Unique* • 5-Year Limited Warranty on Cabinet and 2-Year Limited Warranty on Parts Unmatched by Similar Products
- UL Listed

**Model M300**  
3000 CFM



- 1/3 HP Motor
- 27 Gallon Water Reservoir
- Unique* • Oil-Filled Submersible Pump for Long-Lasting Operation
- Unique* • Coolpad® Evaporative Media for Optimum Cooling
- Unique* • Recessed Grille with Convenient 4-Way Directional Air Control
- Unique* • 5-Year Limited Warranty on Cabinet and 2-Year Limited Warranty on Parts Unmatched by Similar Products
- UL Listed

**Model M150**  
1100 CFM



*30% More Air Flow  
Than Similar Products*

- 1/8 HP Motor
- 5-1/2 Gallon Water Reservoir
- Unique* • Lightweight, Compact Design
- Unique* • Wheels and Handle for Easy Movement
- Unique* • Rigid Media for Maximum Cooling
- Unique* • 3-Speed Turbo Power
- Unique* • Turbo Tip Blades for Better Air Flow
- 1-Year Limited Warranty on Cabinet and Parts
- UL Listed

### General Specifications

MODEL NO.	CABINET DIMENSIONS (height x width x depth)	SPEED	H.P.	WATER CAPACITY	WEIGHT
M500	48-1/8" x 34" x 34"	2	3/4	47 gal.	195 lbs
M400	41-1/8" x 29" x 29"	2	1/2	34 gal.	165 lbs
M300	39-5/8" x 31-1/2" x 21"	2	1/3	27 gal.	100 lbs
M150	24-5/8" x 22-3/8" x 17-1/16"	3	1/8	5-1/2 gal.	36 lbs



5800 Murray Street, Little Rock, Arkansas 72209  
800-643-8341 [www.tradewindsc cooler.com](http://www.tradewindsc cooler.com)

Made in the USA

TGBGB March 2005