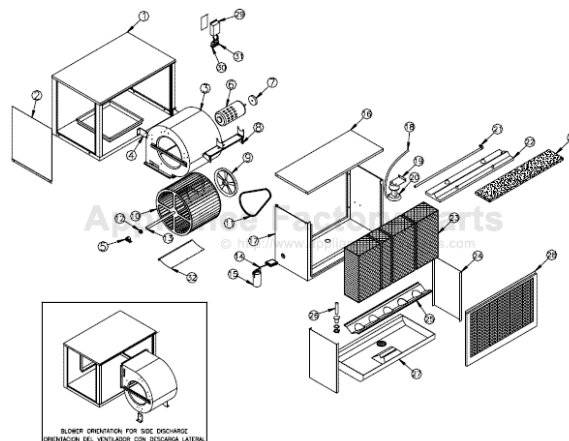


This Owner's Manual is provided and hosted by [Appliance Factory Parts](#).



ESSICK SI500D12 Owner's Manual

[Shop genuine replacement parts for ESSICK SI500D12](#)



[Find Your ESSICK Evaporative Cooler Parts - Select From 70 Models](#)

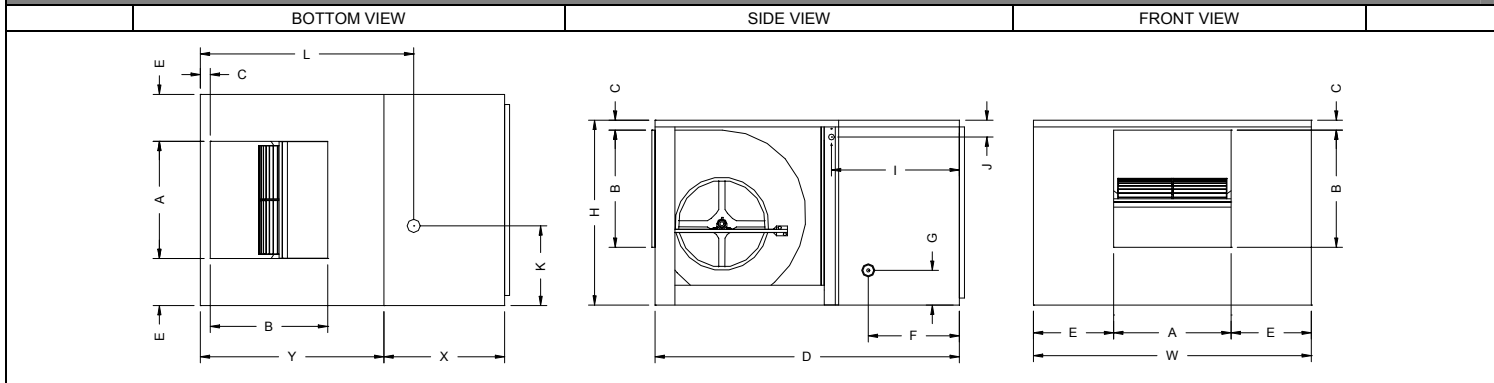
----- Manual continues below -----



COMFORT COOL

PROJECT	
LOCATION	
ARCHITECT	
ENGINEER	
CONTRACTOR	
SUBMITTED BY	DATE

MODEL NUMBER	INDUSTRY STANDARD CFM RATING	ELECTRICAL SPECIFICATIONS				PERFORMANCE							
		MOTOR H.P.	MOTOR VOLTAGE	MOTOR SPEED	AMPS	0"SP	.1"SP	.2"SP	.3"SP	.4"SP	.5"SP		
SI530S/D	4000	1/3	115	1 or 2	5.5	2787	2571	2318	1998	1752	1552		
SI530S/D-12						2731	2519	2272	1958	1717	1521		
SI550S/D						3221	3017	2823	2571	2328	2066		
SI550S/D-12	4400	1/2			115	1 or 2	7.5	3157	2957	2767	2520	2281	2025
SI570S/D								3674	3521	3347	3162	2929	2722
SI570S/D-12								3600	3451	3280	3099	2870	2668
SI750S/D	5400	1/2	115	1 or 2			7.5	4067	3825	3580	3335	3116	2662
SI750S/D-12								3986	3749	3508	3268	3054	2609
SI770S/D								4655	4437	4213	4019	3805	3652
SI770S/D-12	6000	3/4			115	1 or 2	10.5	4562	4348	4129	3939	3729	3579
SI1000S/D								5125	4916	4723	4539	4366	4182
SI1000S/D-12								5023	4818	4629	4448	4279	4098



DIMENSIONAL DATA

MODEL NUMBER	BASIC UNIT			DUCT OPENING				WATER INLET		POWER INLET		DRAIN OUTLET		8" MODULE SIZE		12" MODULE SIZE	
	H	W	D	A	B	C	E	F	G	I	J	K	L	X	Y	X	Y
SI500S/D	28	42	45	17 3/4	17 3/4	1 1/2	12 1/8	14	5 1/4	20 3/8	3 9/16	25	31	18 1/4	26 3/4	22 1/4	26 3/4
SI500S/D-12			49														
SI700S/D	34 5/8	42	48	19 3/4	19 3/4	1 1/2	11 1/8	14	5 1/2	20 3/8	3 9/16	25	34	18 1/4	29 3/4	22 1/4	29 3/4
SI700S/D-12			52														

MODEL NUMBER	WATER INLET DIAMETER	DRAIN OUTLET DIAMETER	POWER INLET DIAMETER	BLOWER WHEEL	BLOWER PULLEY DIAMETER	MOTOR PULLEY DIAMETER	BELT	FILTER SET #	SHIPPING WEIGHT	OPERATING WEIGHT
SI500S/D	1/4	3/4	7/8	16 x 16 x 1	10	4	4L570	70054	150	220
SI500S/D-12								70908	166	236
SI700S/D	1/4	3/4	7/8	20 x 16 x 1	12	4	4L690	70055	197	267
SI700S/D-12								70875	215	285

RECOMMENDATIONS

MODEL	QTY	CFM	STAT. PRES.	MOTOR	HP	SPEED	VOLTAGE	PHASE	OPTIONAL ACCESSORIES