

ULTRACOOOL

Portable Evaporative Cooler



CP35



CP65

Read And Save These Instructions

NOTICE: This Product May Temporarily Produce An Odd Odor When First Turned On. This Is NORMAL And Will Dissipate After A Few Hours.

If you have any problems with this product, please call 1-800-643-8341 BEFORE returning it to your retailer.

Evaporative Cooling

Evaporative cooling is an economical way to cool. Air is cooled while being drawn across wet evaporative media. The movement of this fresh cooled air over the skin is what makes it feel cool. It is important when using an evaporative cooler in an enclosed space to have adequate exhaust by opening windows, doors, etc. Without an outlet to exhaust the air, humidity will build up in the enclosed space and the unit will not cool adequately. It is preferable to have an opening behind the unit to bring in fresh air and another opening across the room to exhaust and help move the air.

Safety Rules

1. Unit must be in the Off Position and Unplugged from power receptacle when performing any maintenance.
2. To reduce the risk of electric shock, plug unit into a properly grounded 120 Volt A.C., 60 Hz receptacle.
3. To reduce the risk of electric shock, install only on a circuit protected with a Ground Fault Circuit Interrupter (GFCI).
4. This appliance is not intended for use by persons (including children) with reduced physical, sensory or mental capabilities, or lack of experience and knowledge, unless they have been given supervision or instruction concerning use of the appliance by a person responsible for their safety. Children should be supervised to ensure that they do not play with the appliance.

⚠ WARNING: To reduce the risk of fire or electric shock, do not use this fan with any "solid-state fan speed control device."

Cooler Installation

Install Casters

This unit comes equipped with 4 stem casters; 2 locking and 2 non-locking. Before operation turn the unit on its side and press the stem casters into the corner holes. Install the locking caster on one side of the unit and the non-locking casters on the opposite side.

Operation

Fill With Water

To fill this unit with water, open the water access door and fill with a pitcher or water hose (see fig. 1). Do Not Overfill.

Water Level Indicator

On the front of the unit there is an access window to view the water level indicator (see fig. 2). When the unit is full of water, the level indicator will show mostly blue. As the level of the water is decreased in the unit, the blue on the indicator will diminish.

Power On Unit

Refer to the control panel in figure 3 for the following instructions.

Once the unit is plugged in, pressing the “Power” button will light up the back-light on the display and start the unit in Fan-High mode. The pump will not start until the “Pump” button is pressed. The display will remain backlit for 2 minutes after the last button on the control is pushed.

Pump / Cooler Operation

To operate this unit as an evaporative cooler, the unit must be filled with water and the pump powered on. Press the “Pump” button to turn on the pump. The water drop indicator on the display will flash while the pump is on. To operate the unit as a fan only, press “Pump” to turn off the pump.

Note: The pump will not run if the water level falls below a certain level. When the water level drops below this level, an audible alarm will sound and the “Low Water” indicator on the display will flash on and off. The audible alarm will stop after 60 seconds or when the “Pump” button is pushed. The indicator will remain flashing until the unit is filled with water. You will need to restart the pump by pressing “Pump” after the unit is refilled with water.

Fan Operation

Pressing the “Speed” button on the control will cycle the fan speed from High to Mid to Low. The speed setting will be highlighted in the display.

Oscillate Mode

Pressing the “Oscillate” button will oscillate the vertical vanes back and forth. The oscillate indicator on the display will be displayed when on. Press the button again to turn off.

Timer Mode

This unit is equipped with a timer. You may set the time interval for the unit to stay on. Pressing the “Timer” button will set the time interval in 1/2 hour increments up to 8 hours. The display will flash while setting the time and will be solid once it is set. The display will count down the time remaining in 1/2 hour increments. When the time interval is reached, the unit will turn off.

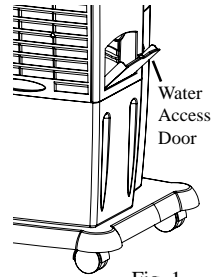


Fig. 1

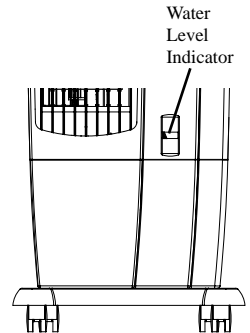


Fig. 2

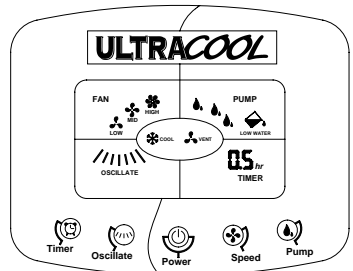


Fig. 3

Maintenance

⚠ WARNING: Before doing any maintenance be sure unit is unplugged.

Drain Unit

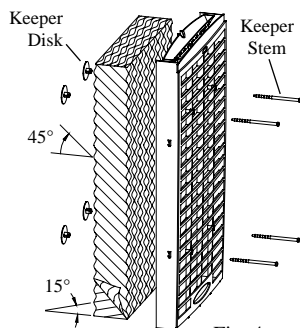
Note: To remove the media frame, first remove the screw located above the frame.

To drain the unit, remove the media frame and remove the rubber drain stopper from the bottom of the unit by pulling it out of the drain hole. The unit should be drained periodically to keep the water fresh. We recommend draining the unit once a week. Drain the water from the unit when it will not be used for an extended period.

Clean/Replace Evaporative Media

The evaporative media should be cleaned twice a season or when needed. To clean the media, rinse with clean water. Light scrubbing might be necessary. Be careful not to damage media. After about 2 years, or when it becomes clogged, the media will need to be replaced. To remove the media, press the end of the keeper stem to push it through the keeper disk (see fig. 4). This plastic disk will need to be removed in order to remove the media.

When replacing the evaporative media, install it so that the steeper flute angle of the media is sloping down towards the media frame (see fig. 4). Push the keeper stems through the media from the back of the media frame and press the keeper disks onto the stems to secure the media in place.



Limited Warranty

This warranty is extended to the original purchaser of an evaporative cooler installed and used under normal conditions. It does not cover damages incurred through accident, neglect, or abuse by the owner. We do not authorize any person or representative to assume for us any other or different liability in connection with this product.

Terms And Conditions Of The Warranty

For One Year from date of purchase, we will replace any original component provided by Champion Cooler which fails due to any defect in material or factory workmanship only.

Exclusions From The Warranty

We are not responsible for replacement of evaporative media. These are disposable components and should be replaced periodically. We are not responsible for any incidental or consequential damage resulting from any malfunction.

We are not responsible for any damage received from the use of water softeners, chemicals, de-scale material or plastic wrap.

We are not responsible for the cost of service calls to diagnose the cause of trouble, or labor charge to repair and/or replace parts.

How To Obtain Service Under This Warranty

Contact the Dealer where you purchased the evaporative cooler. If for any reason you are not satisfied with the response from the dealer, contact the Customer Service Department: Champion Cooler, 5800 Murray Street, Little Rock, Arkansas 72209. 1-800-643-8341. info@championcooler.com

This limited warranty applies to the original purchaser only.

Register your product online at www.championcooler.com/eac/onlineregistration-eac.htm

Trouble Shooting

Problem:

Cooler does not pump water

Cause/Remedy:

- Water level is low. Fill with water and make sure Pump is activated.
- Pump may be defective. Replace pump.

Fan does not operate

- Check that unit is plugged into a 120V power receptacle.
- Check the fuse or breaker.
- If connected to a GFCI outlet, check if it is tripped.

Replacement Parts

No.	Description	CP35	CP65
1	Evaporative Media.....	110132-1	110132-2
2	Evaporative Media Frame Assembly.....	110870-1	110870-2
3	Set Of (4) Keepers.....	110871	110871
4	Pump.....	110439	110439
5	Drain Plug.....	110698	110698
6	Water Indicator Float.....	110872	110872-1
7	Swivel Casters - Non-Locking	110822-6	110822-6
8	Swivel Casters - Locking.....	110822-7	110822-7

