

SPECIFICATIONS & SUBMITTAL DATA

FEATURES:

- Heavy gauge galvanized steel cabinet
- Electrostatically applied polyester powder coating finish
- Thermoplastic water reservoir and plastic media shield prevent water from contacting metal cabinet
- Stainless steel pump shaft with moisture barrier
- Long life efficient media
- Removable wet section for easier installation (except ASA/ADA35)
- Perforated prefilter screen provides greater airflow for better cooling
- Low maintenance and trouble free
- Made in the U.S.A.



Project

Location

Architect

Engineer

Contractor

Submitted By _____ Date _____

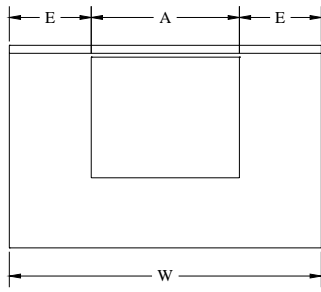
MODELS

- ASA35, ADA35**
ASA50, ADA50, AUA50
ASA50-12, ADA50-12
ASA70, ADA70, AUA70
ASA70-12, ADA70-12

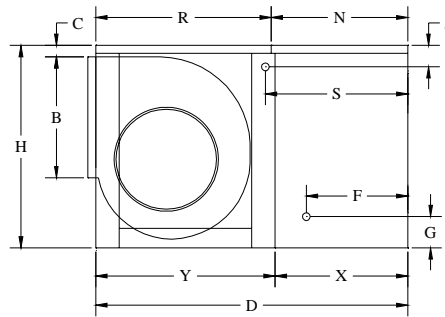
Ref. No.	Cooler Model No.	Qty.	CFM	Static Pressure	Motor	HP	Speed	Volts	Phase	Optional Accesories
1										
2										
3										
4										
5										
6										
7										
8										
9										

Notes

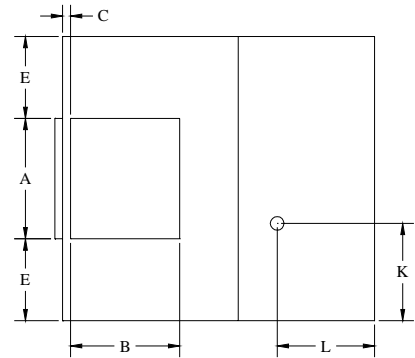
CHAMPION COOLER
 5800 Murray, Little Rock, AR 72209
 1-800-643-8341
 info@championcooler.com



FRONT VIEW



SIDE VIEW



TOP VIEW

CABINET DIMENSIONS*																								
Model No.	General Dimensions			Duct				Water Service Location		Electrical Service Location		Drain Location		Module Length		Top Pan Length		Belt Length	Blower Wheel			Weight (lbs.)		
				Opening		Location		F	G	S	J	K	L	X	Y	R	N		Dia.	Width	Shaft	Oper.	Ship.	
	H	W	D	A	B	C	E	F	G	S	J	K	L	X	Y	R	N							
ADA35 ASA35	22 9/16	34	40	13 5/8	13 5/8	1 1/8	10 3/16	14 7/16	5 1/4	20 1/2	3 5/8	17	14 5/8	17 15/16	22	-	-	43 46	12 7/8	12 1/8	1	187	130	
ADA50 ASA50 AUA50	28	42	45	17 3/4	17 3/4	1 1/2	12 1/8	13	5 3/4	20 3/8	3 9/16	17	14 1/16	18 1/4	26 3/4	25 7/8 25 7/8 32 3/16	19 1/16 19 1/16 12 3/4	52 (53 - 3/4hp) 57 51	16	16 3/4	1	252	179	
ADA50-12 ASA50-12	28	42	49	17 3/4	17 3/4	1 1/2	12 1/8	17	5 3/4	24 3/8	3 9/16	17	18 1/16	22 1/4	26 3/4	25 7/8	23 1/16	52 (53 - 3/4hp) 57	16	16 3/4	1	272	192	
ADA70 ASA70 AUA70	34 5/8	42	48	19 3/4	19 3/4	1 1/2	11 1/8	13	5 3/4	20 3/8	3 9/16	17	14 1/16	18 1/4	29 3/4	28 7/8 28 7/8 35 3/16	19 1/16 19 1/16 12 3/4	64 67 67	20	16 3/4	1	294	215	
ADA70-12 ASA70-12	34 5/8	42	52	19 3/4	19 3/4	1 1/2	11 1/8	17	5 3/4	24 3/8	3 9/16	17	18 1/16	22 1/4	29 3/4	28 7/8	23 1/16	64 67	20	16 3/4	1	321	235	

ELECTRICAL SPECIFICATIONS						CFM**** INCHES STATIC PRESSURE						
Models	HP	Speeds**	Phase	Volts**	Amps****	0"	0.1"	0.2"	0.3"	0.4"	0.5"	0.6"
ADA/ASA 35	1/3	1 OR 2	1	115	8.3	2022	1871	1738	1607	1470	1311	1107
	1/2					2315	2178	2061	1947	1834	1714	1581
ADA/ASA/ AUA50	1/3	1 OR 2	1	115	8.3	2873	2650	2390	2060	1806	1600	1370
	1/2					3321	3110	2910	2650	2400	2130	1940
	3/4					14.9	3788	3630	3450	3260	3020	2806
ADA/ASA 50-12	1/3	1 OR 2	1	115	8.3	2750	2566	2323	1997	1629	1313	1039
	1/2					3149	2993	2803	2564	2266	1944	1648
	3/4					14.9	3606	3472	3317	3135	2918	2661
ADA/ASA/ AUA70	1/2	1 OR 2	1	115	10.9	3987	3750	3510	3270	3055	2610	2210
	3/4					4564	4350	4130	3940	3730	3580	3180
	1					17.1	5024	4820	4630	4450	4280	4100
ADA/ASA 70-12	1/2	1 OR 2	1	115	10.9	3922	3685	3462	3212	2898	2471	2002
	3/4					4488	4279	4087	3888	3662	3392	3049
	1					17.1	4941	4747	4572	4394	4208	3996

* All Dimensions in inches.

** Motors shipped separately.

*** Blower motor (high speed) and pumps. Amp rating is Full-Load Amperage per National Electric Code.

**** Cubic feet per minute.