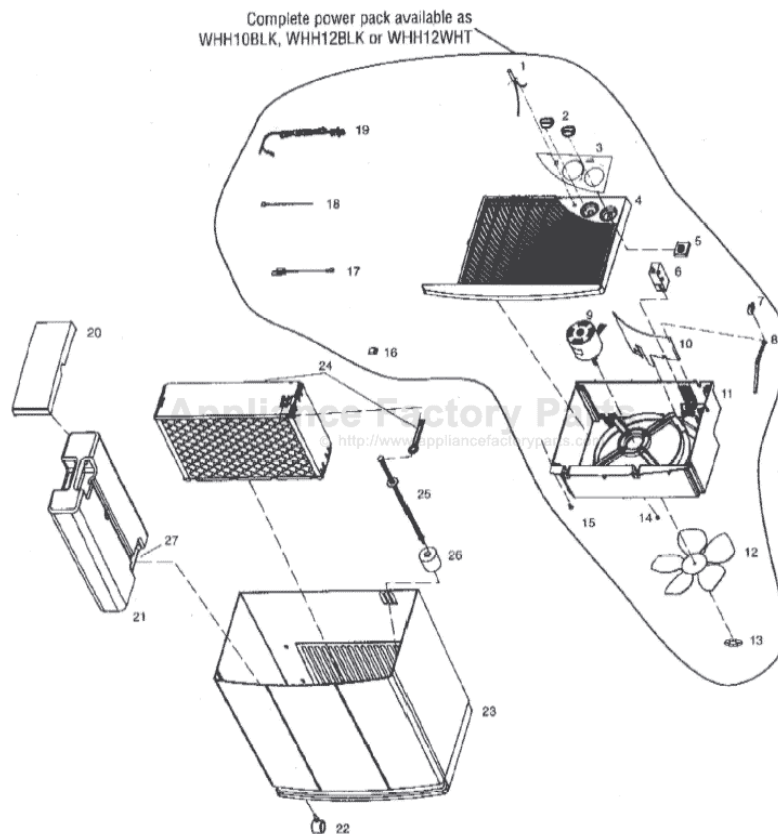


This Owner's Manual is provided and hosted by [Appliance Factory Parts](http://www.appliancefactoryparts.com).



MASTERCool AD200B Owner's Manual

[Shop genuine replacement parts for MASTERCool
AD200B](#)



[Find Your MASTERCool Evaporative Cooler Parts - Select From 135 Models](#)

----- Manual continues below -----

SPECIFICATIONS & SUBMITTAL DATA



FEATURES:

- Heavy gauge galvanized steel cabinet
- Electrostatically applied Polyester resin powder paint finish
- Thermoplastic water reservoir
- Long life media, efficient and self cleaning
- Greater air flow
- Low maintenance
- Made in the U.S.A.



MODELS

AS/AD 100

AS/AD 150

Project _____

Location _____

Architect _____

Engineer _____

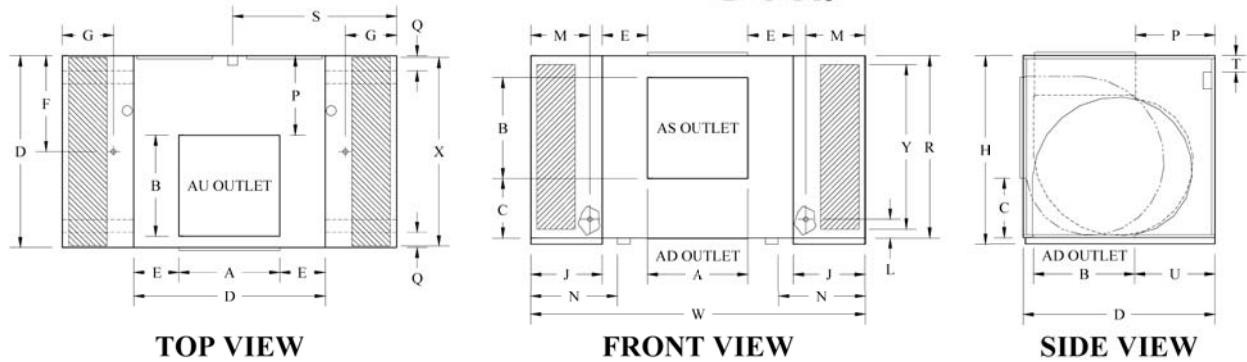
Contractor _____

Submitted By _____ Date _____

| Ref. No. | Cooler Model No. | Qty. | CFM | Static Pressure | Motor | HP | Speed | Volts | Phase | Pulley-Belt Kit No. | Pump | Qty. | Volts |
|----------|------------------|------|-----|-----------------|-------|----|-------|-------|-------|---------------------|------|------|-------|
| 1 | | | | | | | | | | | | | |
| 2 | | | | | | | | | | | | | |
| 3 | | | | | | | | | | | | | |
| 4 | | | | | | | | | | | | | |
| 5 | | | | | | | | | | | | | |
| 6 | | | | | | | | | | | | | |
| 7 | | | | | | | | | | | | | |
| 8 | | | | | | | | | | | | | |
| 9 | | | | | | | | | | | | | |

Notes

CHAMPION COOLER
 5800 Murray, Little Rock, AR 72209
 1-800-643-8341
 info@championcooler.com



DIMENSIONAL DATA*

| BLOWER MODEL NUMBER | WET MUDULE NUMBER | CABINET | | | DUCT OPENING | | DUCT LOCATION | | | | DRAIN LOCATION | | | WET MODULE | | | MEDIA DIMENSION | | WATER SERVICE | | ELECTRIC SERVICE | | SKID LOCATIONS | | |
|---------------------|-------------------|---------|--------|--------|--------------|--------|---------------|----------|--------|----------|----------------|--------|--------|------------|--------|-------|-----------------|--------|---------------|--------|------------------|----|----------------|--|--|
| | | H | W | D | A | B | C (AS) | U (AD) | P (AU) | E | F | G | J | X | Y | L | M | S | T | N | Q | R | | | |
| AS/AD 100B | 100W | 44 | 82 | 45 | 21 3/4 | 21 3/4 | 13 19/32 | 21 11/32 | N/A | 11 5/8 | 22 1/2 | 12 1/2 | 18 1/2 | 44 3/4 | 36 5/8 | 5 7/8 | 14 3/8 | 39 7/8 | 5 3/32 | 23 1/4 | 4 3/4 | 42 | | | |
| AS/AD 150B | 150W | 54 | 85 1/4 | 48 1/4 | 26 7/8 | 26 7/8 | 16 13/16 | 19 5/32 | N/A | 10 11/16 | 24 1/8 | 12 1/2 | 18 1/2 | 48 | 46 3/8 | 5 7/8 | 14 3/8 | 41 1/2 | 5 3/32 | 23 1/4 | 4 3/4 | 52 | | | |

* All Measurements in inches.

| AS/AD 100 | | | | PERFORMANCE Certified Air Delivery At .1" Increments Of External Static Pressure (Inches Static Pressure Water Gauge) | | | | | | | | | | | | | | | | | | | | | |
|------------|------------|---------|---------|---|-----|-------|-----|-------|-----|-------|-----|-------|-----|-------|-----|-------|-----|-------|-----|-------|-----|-------|-----|------|-----|
| MAX B.H.P. | OPER. WGT. | AD BELT | AS BELT | 0" | | 0.1" | | 0.2" | | 0.3" | | 0.4" | | 0.5" | | 0.6" | | 0.7" | | 0.8" | | 0.9" | | 1.0" | |
| | | | | CFM | RPM | CFM | RPM | CFM | RPM | CFM | RPM | CFM | RPM | CFM | RPM | CFM | RPM | CFM | RPM | CFM | RPM | CFM | RPM | CFM | RPM |
| 1-1/2 | 757 | A76 | A82 | 7745 | 364 | 7530 | 373 | 7275 | 384 | 7004 | 397 | 6729 | 409 | 6460 | 422 | 6193 | 434 | 5923 | 447 | 5646 | 460 | 5357 | 474 | 5045 | 489 |
| 2 | 761 | B77 | B83 | 8524 | 400 | 8333 | 408 | 8109 | 418 | 7868 | 429 | 7618 | 441 | 7368 | 452 | 7123 | 464 | 6878 | 475 | 6638 | 486 | 6389 | 498 | 6137 | 510 |
| 3 | 800 | B80 | B86 | 9758 | 458 | 9596 | 465 | 9407 | 473 | 9204 | 482 | 8990 | 492 | 8773 | 502 | 8556 | 512 | 8340 | 522 | 8124 | 532 | 7913 | 542 | 7698 | 552 |
| 5 | 804 | B81 | B87 | 11569 | 543 | 11436 | 549 | 11285 | 555 | 11121 | 563 | 10950 | 570 | 10773 | 578 | 10592 | 587 | 10407 | 595 | 10224 | 603 | 10039 | 612 | 9856 | 620 |

Performance shown is for installation type B - Free inlet, Ducted outlet. Power rating (BHP) does not include drive losses.

| AS/AD 150 | | | | PERFORMANCE Certified Air Delivery At .1" Increments Of External Static Pressure (Inches Static Pressure Water Gauge) | | | | | | | | | | | | | | | | | | | | | |
|------------|------------|---------|---------|---|-----|-------|-----|-------|-----|-------|-----|-------|-----|-------|-----|-------|-----|-------|-----|-------|-----|-------|-----|-------|-----|
| MAX B.H.P. | OPER. WGT. | AD BELT | AS BELT | 0" | | 0.1" | | 0.2" | | 0.3" | | 0.4" | | 0.5" | | 0.6" | | 0.7" | | 0.8" | | 0.9" | | 1.0" | |
| | | | | CFM | RPM | CFM | RPM | CFM | RPM | CFM | RPM | CFM | RPM | CFM | RPM | CFM | RPM | CFM | RPM | CFM | RPM | CFM | RPM | CFM | RPM |
| 2 | 907 | B90 | B96 | 11405 | 317 | 10892 | 328 | 10463 | 338 | 10064 | 347 | 9671 | 357 | 9276 | 367 | 8874 | 378 | 8456 | 390 | 8006 | 403 | 7530 | 418 | 7017 | 436 |
| 3 | 946 | B92 | B100 | 13057 | 363 | 12600 | 373 | 12204 | 381 | 11844 | 390 | 11497 | 398 | 11153 | 406 | 10815 | 415 | 10467 | 424 | 10113 | 434 | 9741 | 444 | 9361 | 456 |
| 5 | 950 | B93 | B100 | 15480 | 430 | 15082 | 439 | 14735 | 446 | 14410 | 454 | 14106 | 461 | 13810 | 468 | 13520 | 475 | 13234 | 482 | 12948 | 489 | 12659 | 496 | 12361 | 504 |
| 7-1/2 | 984 | B95 | B101 | 17719 | 492 | 17364 | 500 | 17050 | 507 | 16756 | 513 | 16479 | 520 | 16214 | 526 | 15947 | 532 | 15694 | 538 | 15440 | 544 | 15188 | 550 | 14937 | 557 |

Performance shown is for installation type B - Free inlet, Ducted outlet. Power rating (BHP) does not include drive losses.

PULLEY-BELT KIT SELECTION

| H.P. | BORE | AD 100 PULLEY-BELT KIT NO. | AS 100 PULLEY-BELT KIT NO. | AD 150 PULLEY-BELT KIT NO. | AS 150 PULLEY-BELT KIT NO. |
|-------|-------|----------------------------|----------------------------|----------------------------|----------------------------|
| 1 1/2 | 5/8 | 3DI-11 | 3DI-31 | - | - |
| 1 1/2 | 7/8 | 3DI-10 | 3DI-30 | - | - |
| 2 | 5/8 | 3DI-16 | 3DI-36 | 3DI-51 (Static < 0.7) | 3DI-71 (Static < 0.7) |
| 2 | 5/8 | - | - | 3DI-53 (Static > 0.4) | 3DI-73 (Static > 0.4) |
| 2 | 7/8 | 3DI-15 | 3DI-35 | 3DI-50 (Static < 0.7) | 3DI-70 (Static < 0.7) |
| 2 | 7/8 | - | - | 3DI-52 (Static > 0.4) | 3DI-72 (Static > 0.4) |
| 3 | 1 1/8 | 3DI-20 | 3DI-40 | 3DI-56 | 3DI-75 |
| 5 | 1 1/8 | 3DI-25 | 3DI-45 | 3DI-60 | 3DI-80 |
| 7 1/2 | 1 3/8 | - | - | 3DI-65 | 3DI-86 |
| 10 | 1 3/8 | - | - | - | - |

MOTOR SPECIFICATIONS

| BLOWER MOTORS | | VOLTS | PHASE | MOTOR AMPS* | SHAFT DIA. | MOTOR WGT(LB) | MOTOR PART NO. | BLOWER MOTORS | | VOLTS | PHASE | MOTOR AMPS* | SHAFT DIA. | MOTOR WGT(LB) | MOTOR PART NO. |
|---------------|-------|-------------|-------|--------------|------------|---------------|----------------|---------------|-------|---------|-------|-----------------|------------|---------------|----------------|
| H.P. | SPEED | | | | | | | H.P. | SPEED | | | | | | |
| 1 1/2 | 1 | 115/208-230 | 1 | 20/11-10 | 5/8 | 41 | 110459-1 | 7 1/2 | 1 | 230/460 | 3 | 22/11 | 1 3/8 | 121 | 110470-9 |
| 1 1/2 | 1 | 208-230/460 | 3 | 6.6-6/3 | 7/8 | 40 | 110463-9 | PUMP PART NO. | | | | | | | |
| 2 | 1 | 115/208-230 | 1 | 24/13.2-12 | 5/8 | 50 | 110460-1 | 110467 | 115 | 1.0 | 73 | GPM (5FT. HEAD) | | | |
| 2 | 1 | 208-230/460 | 3 | 7.5-6.8/3.4 | 7/8 | 44 | 110464-9 | 110468 | 230 | 0.58 | 77 | 4.6 | | | |
| 3 | 1 | 208-230/460 | 3 | 10.6-9.6/4.8 | 1 1/8 | 83 | 110465-9 | | | | | | | | |
| 5 | 1 | 230/460 | 3 | 15.2/7.6 | 1 1/8 | 87 | 110466-9 | | | | | | | | |

*Amperage shown is from National Electrical Code. Use amperage shown on motor nameplate to determine motor protector.

Pumps - 2 Required.