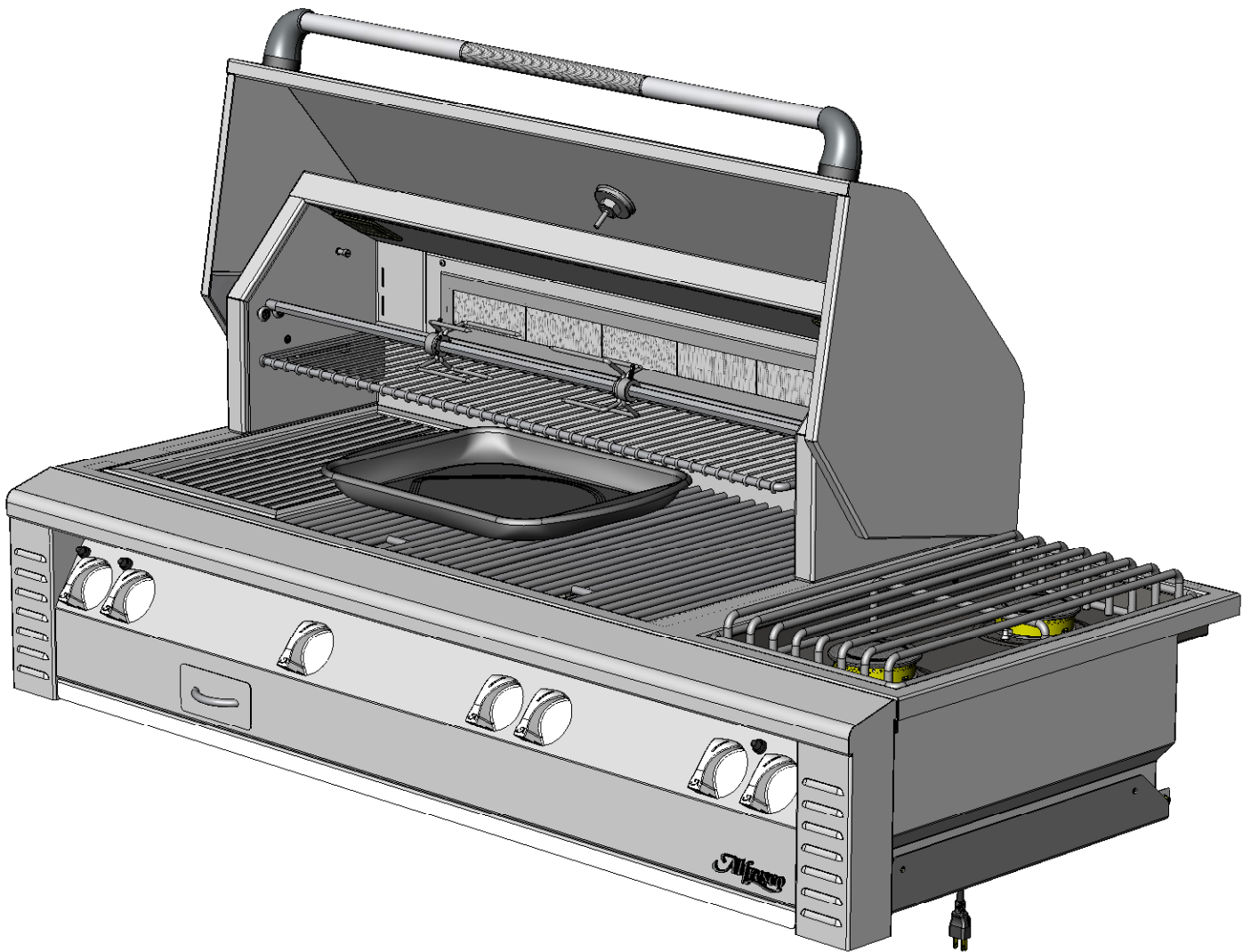


# Alfresco™

Open Air Culinary Systems

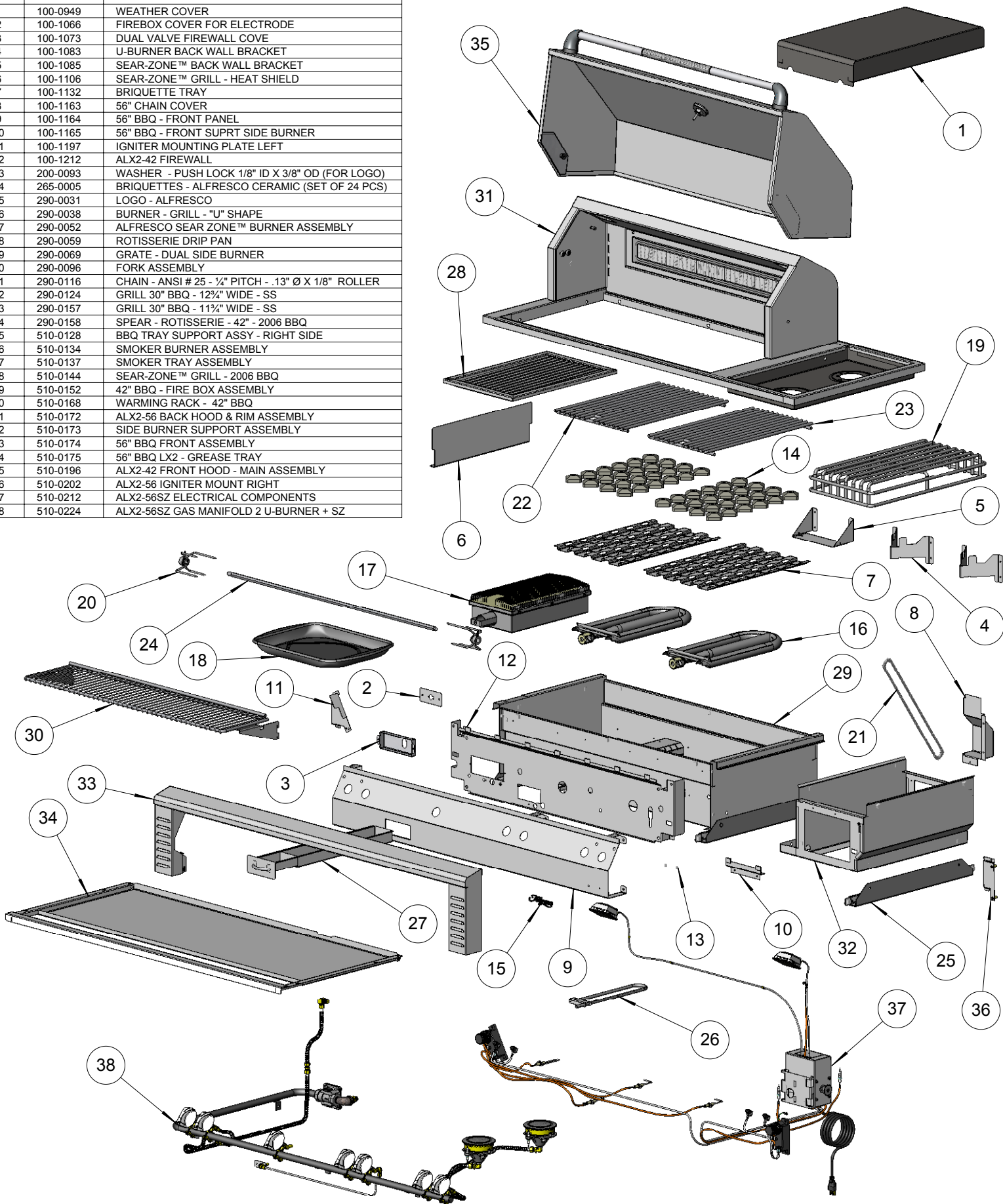


**ALX2-56SZ**

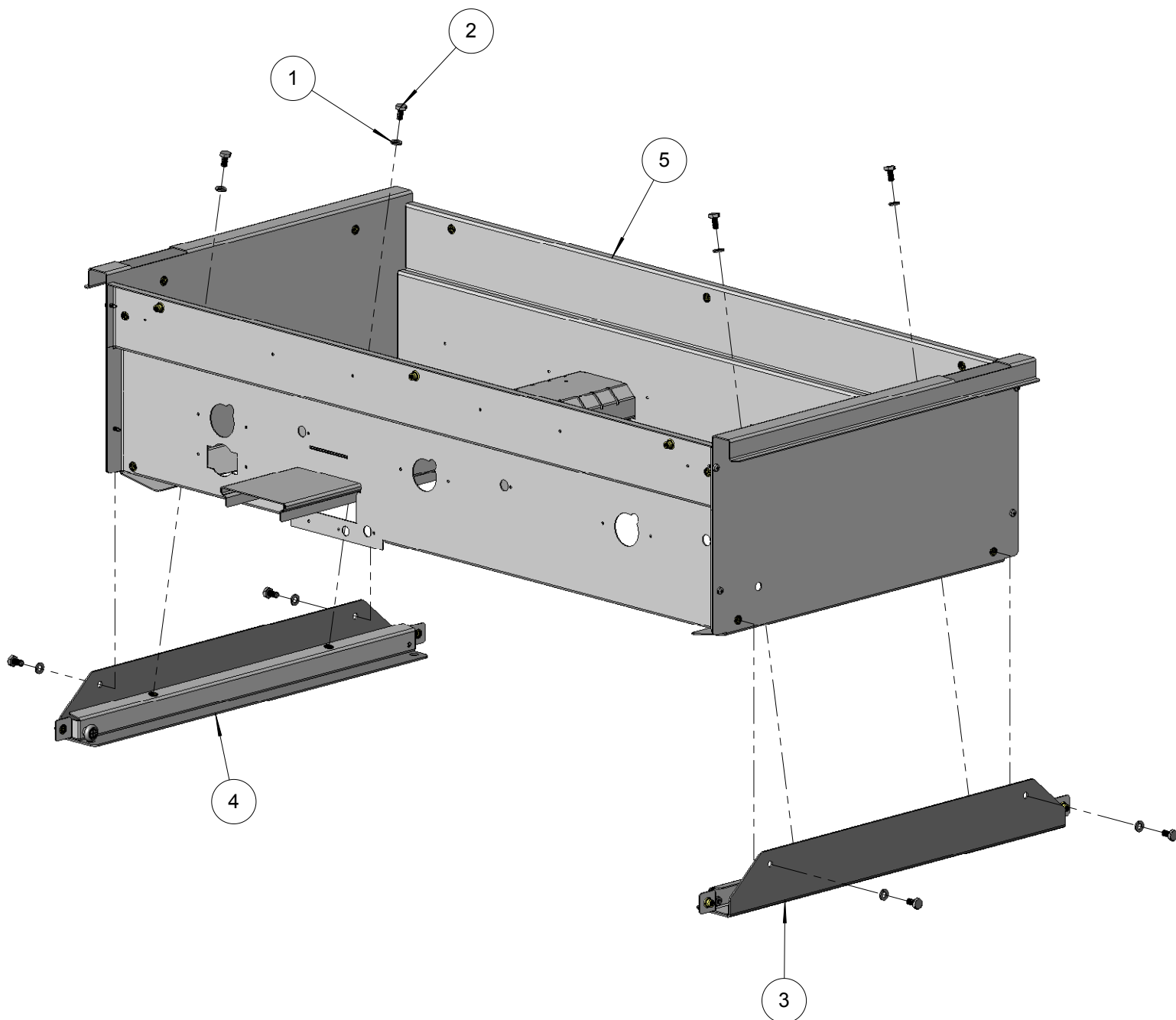
**BUILT-IN 56" BBQ WITH DUAL GRILL BURNERS,  
SEAR-ZONE™, DOUBLE SIDE BURNERS,  
INTEGRATED ROTISSERIE MOTOR AND LIGHTS.**

**BILL OF MATERIAL**

NO.	PART NUMBER	DESCRIPTION
1	100-0949	WEATHER COVER
2	100-1066	FIREBOX COVER FOR ELECTRODE
3	100-1073	DUAL VALVE FIREWALL COVE
4	100-1083	U-BURNER BACK WALL BRACKET
5	100-1085	SEAR-ZONE™ BACK WALL BRACKET
6	100-1106	SEAR-ZONE™ GRILL - HEAT SHIELD
7	100-1132	BRIQUETTE TRAY
8	100-1163	56" CHAIN COVER
9	100-1164	56" BBQ - FRONT PANEL
10	100-1165	56" BBQ - FRONT SUPRT SIDE BURNER
11	100-1197	IGNITER MOUNTING PLATE LEFT
12	100-1212	ALX2-42 FIREWALL
13	200-0093	WASHER - PUSH LOCK 1/8" ID X 3/8" OD (FOR LOGO)
14	265-0005	BRIQUETTES - ALFRESCO CERAMIC (SET OF 24 PCS)
15	290-0031	LOGO - ALFRESCO
16	290-0038	BURNER - GRILL - "U" SHAPE
17	290-0052	ALFRESCO SEAR ZONE™ BURNER ASSEMBLY
18	290-0059	ROTISSERIE DRIP PAN
19	290-0069	GRATE - DUAL SIDE BURNER
20	290-0096	FORK ASSEMBLY
21	290-0116	CHAIN - ANSI # 25 - 1/2" PITCH - .13" Ø X 1/8" ROLLER
22	290-0124	GRILL 30" BBQ - 12 3/4" WIDE - SS
23	290-0157	GRILL 30" BBQ - 11 1/2" WIDE - SS
24	290-0158	SPEAR - ROTISSERIE - 42" - 2006 BBQ
25	510-0128	BBQ TRAY SUPPORT ASSY - RIGHT SIDE
26	510-0134	SMOKER BURNER ASSEMBLY
27	510-0137	SMOKER TRAY ASSEMBLY
28	510-0144	SEAR-ZONE™ GRILL - 2006 BBQ
29	510-0152	42" BBQ - FIRE BOX ASSEMBLY
30	510-0168	WARMING RACK - 42" BBQ
31	510-0172	ALX2-56 BACK HOOD & RIM ASSEMBLY
32	510-0173	SIDE BURNER SUPPORT ASSEMBLY
33	510-0174	56" BBQ FRONT ASSEMBLY
34	510-0175	56" BBQ LX2 - GREASE TRAY
35	510-0196	ALX2-42 FRONT HOOD - MAIN ASSEMBLY
36	510-0202	ALX2-56 IGNITER MOUNT RIGHT
37	510-0212	ALX2-56SZ ELECTRICAL COMPONENTS
38	510-0224	ALX2-56SZ GAS MANIFOLD 2 U-BURNER + SZ

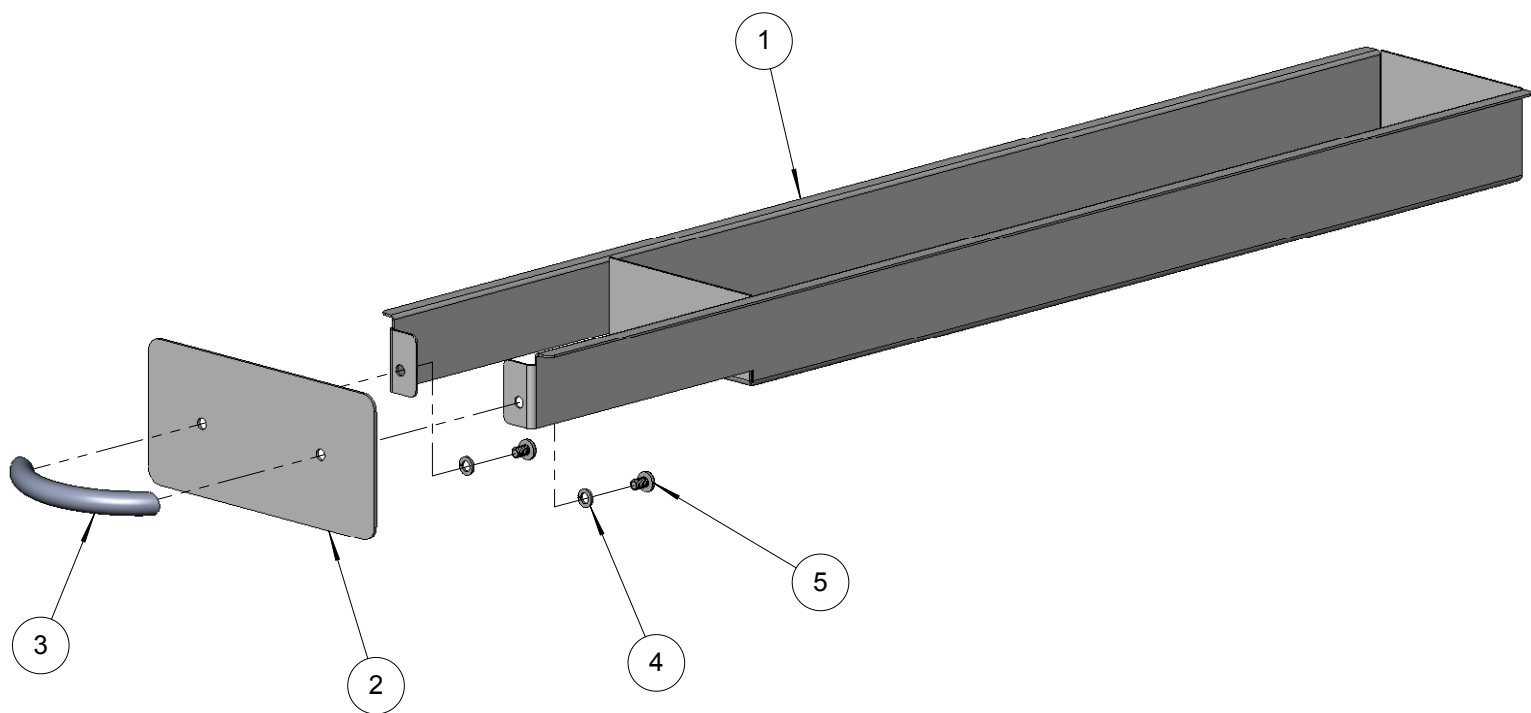


NO.	PART NUMBER	DESCRIPTION	QTY.
1	200-0087	1/4" LOCK WASHER	8
2	200-0089	1/4-20 X 1/2 - HEX HEAD BOLT	8
3	510-0128	BBQ TRAY SUPPORT ASSY - RIGHT SIDE	1
4	510-0129	BBQ TRAY SUPPORT ASSY - LEFT SIDE	1
5	510-0219	ALX2-42 FIREBOX - WELDED PARTS	1



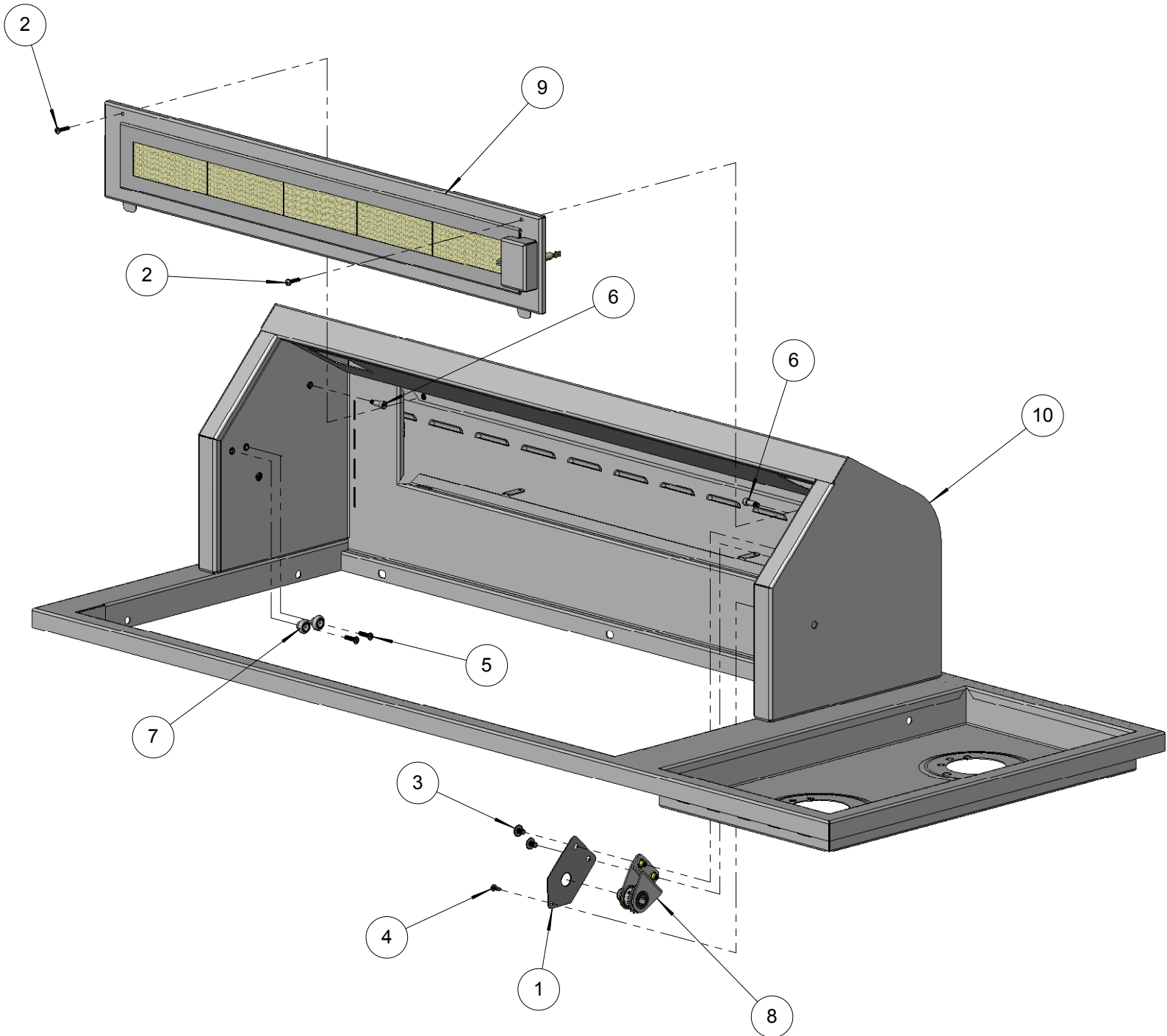
**BILL OF MATERIAL**

NO.	PART NUMBER	DESCRIPTION	QTY.
1	100-1081	SMOKER TRAY	1
2	100-1082	SMOKER TRAY HANDLE	1
3	290-0135	HANDLE - 3/8"Ø X 3" L - TAPPED	1
4	200-0200	WASHER - # 8 - LOCK SPRING - SS	2
5	200-0083	8-32 X 1/4 - PAN HEAD - PHILIPS SCREW	2



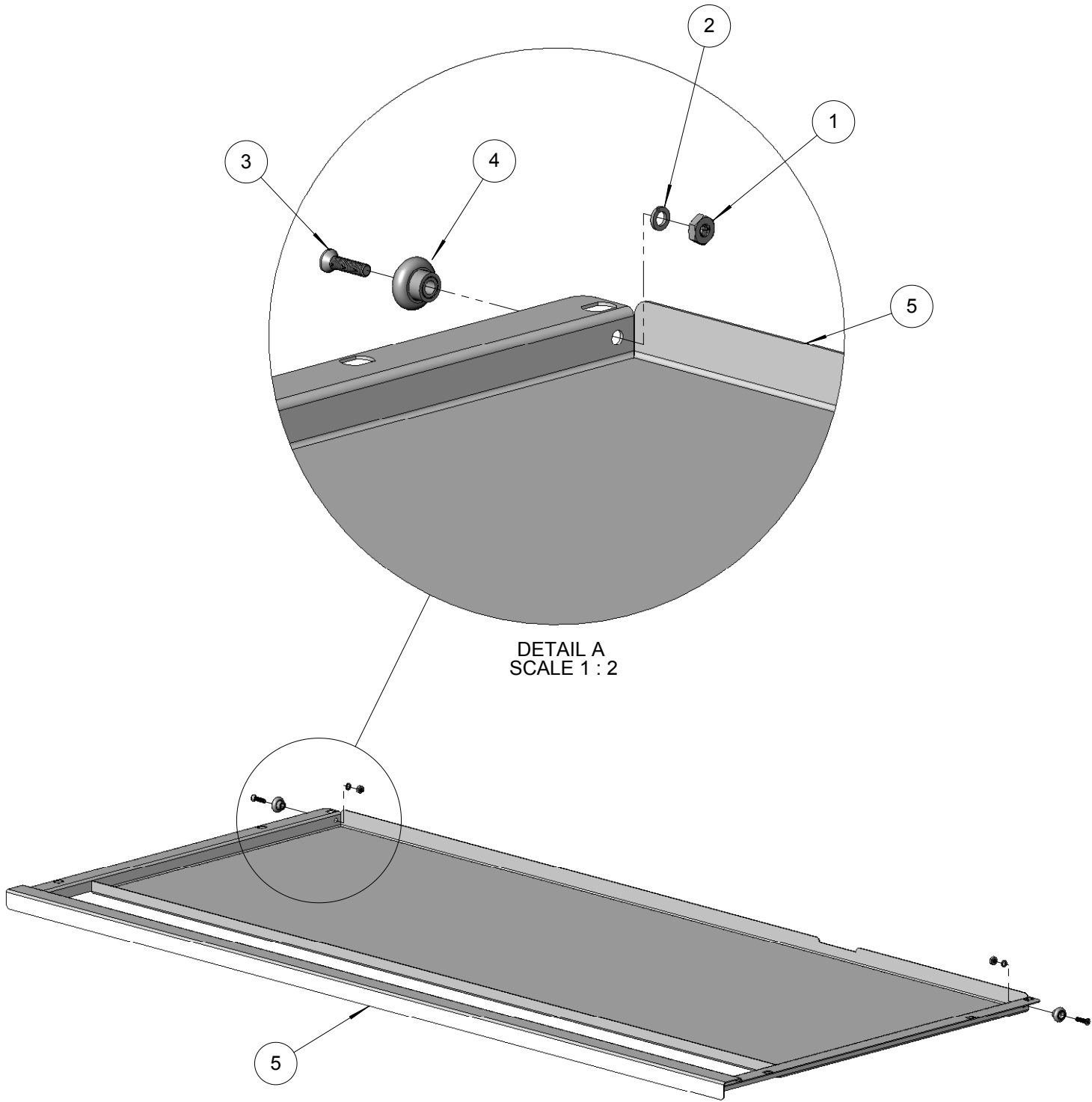
**BILL OF MATERIAL**

NO.	PART NUMBER	DESCRIPTION	QTY.
1	100-1092	ROTISSERIE GEAR COVER	1
2	200-0079	8-32 X 3/4 - PAN HEAD - PHILIPS SCREW	2
3	200-0086	1/4-20 X 3/8 - TRUSS HEAD - PHILIPS SCREW	2
4	200-0111	SCREW 8-18 X 1/2 - SS - MMC# 92364A194	1
5	200-0148	SCREW 10-32 X 3/4" - FLAT HEAD - PHILIPS - 82° - SS	2
6	200-0166	SCREW 10-32 X 1/4 Ø X 1/2 SHOULDER - SS	2
7	290-0119	ROLLER WHEEL - STAINLESS STL - 3/4" Ø -	2
8	510-0139	ROTISSERIE GEAR ASSEMBLY	1
9	510-0218	42" BBQ - ROTISSERIE PANEL ASSY	1
10	510-0229	56" BBQ LX2 BACK HOOD & RIM ASSEMBLY - WELDED PARTS	1



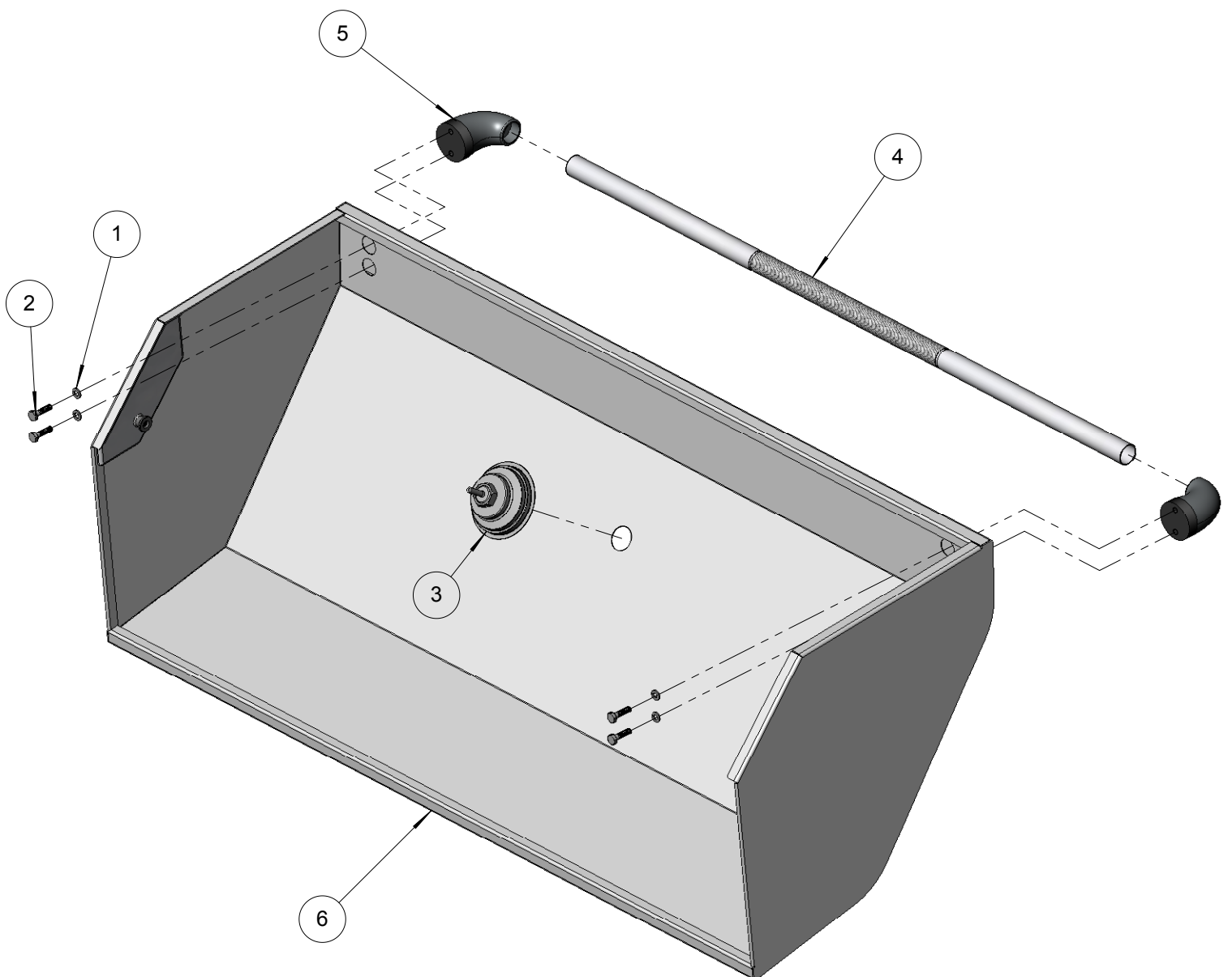
**BILL OF MATERIAL**

NO.	PART NUMBER	DESCRIPTION	QTY.
1	200-0073	10-32 - HEX NUT	2
2	200-0075	# 10 LOCK WASHER	2
3	200-0148	SCREW 10-32 X 3/4" - FLAT HEAD - PHILIPS - 82° - SS	2
4	290-0119	ROLLER WHEEL - STAINLESS STL - 3/4" Ø -	2
5	510-0230	ALX2-56 - GREASE TRAY - WELDED PARTS	1



**BILL OF MATERIAL**

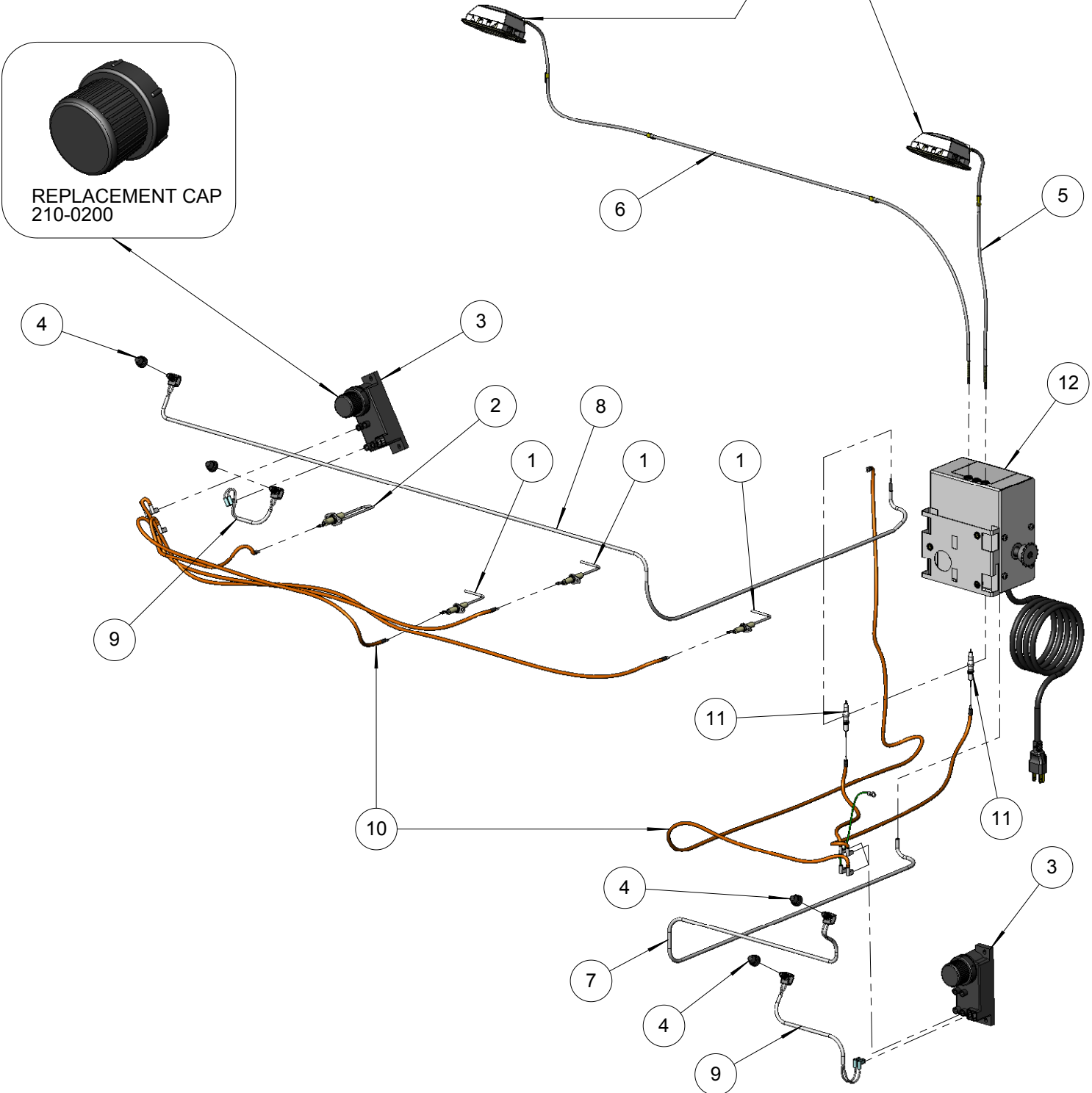
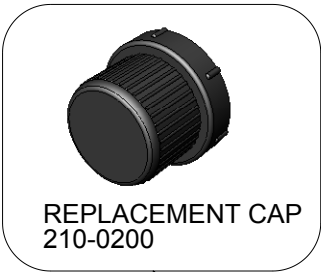
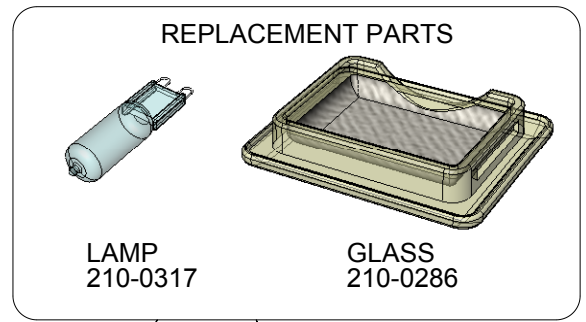
NO.	PART NUMBER	DESCRIPTION	QTY.
1	200-0087	1/4" LOCK WASHER	4
2	200-0091	HH- HD - 1/4-20 x 1 x .75 THREAD	4
3	210-0418	ALFRESCO - 3-1/8"Ø - ALX2 THERMOMETER	1
4	290-0055	HANDLE BAR - 36" KNURLED	1
5	290-0063	HANDLE - END CAP ASSEMBLY	2
6	510-0197	ALX2-42 FRONT HOOD - SKIN ASSEMBLY	1





**BILL OF MATERIAL**

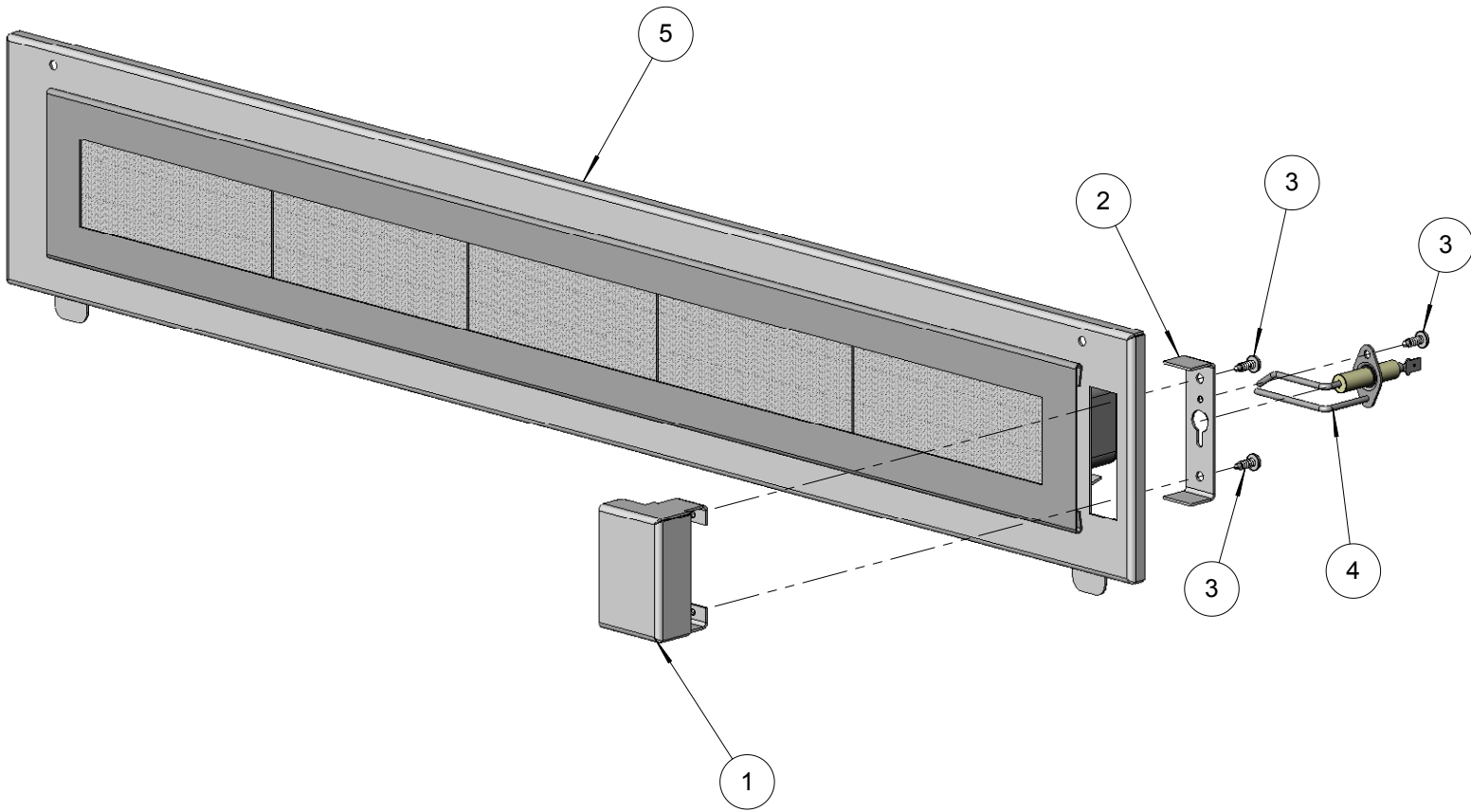
NO.	PART NUMBER	DESCRIPTION	QTY.
1	210-0189	ELECTRODE - "L" SHAPED - MAIN BURNER	3
2	210-0192	ELECTRODE - DUAL TIP - IR BURNERS	1
3	210-0194	IGNITER MODULE - 4 POINTS (WITH CAP)	2
4	210-0198	SWITCH - WEATHER BOOT & CAP	4
5	210-0331	ALX2-BBQs RIGHT LAMP ASSEMBLY WITH HARNESS	1
6	210-0333	ALX2-42 LEFT LAMP ASSEMBLY WITH HARNESS	1
7	210-0336	ALX2-56 BBQ - LIGHT SWITCH WITH HARNESS	1
8	210-0338	ALX2-42 ROTISSERIE SWITCH WITH HARNESS	1
9	210-0340	SWITCH BBQ - IGNITER ONLY - OFF [ON] MOMENTARY	2
10	210-0345	ALX2-56 IGNITER WIRE KIT	1
11	290-0074	ELECTRODE ASSEMBLY >>> SEE NOTE	2
12	510-0200	ALX2 ROTISSERIE MOTOR ASSEMBLY & J-BOX	1





**BILL OF MATERIAL**

NO.	PART NUMBER	DESCRIPTION	QTY.
1	100-1225	ROTISSERIE ELECTRODE COVER	1
2	100-1226	ROTISSERIE ELECTRODE BRACKET	1
3	200-0111	SCREW 8-18 X 1/2 - SS - MMC# 92364A194	3
4	210-0240	ELECTRODE - DUAL TIP - IR BURNERS	1
5	510-0222	ALX2-42 - ROTISSERIE PANEL - WELDED PARTS	1

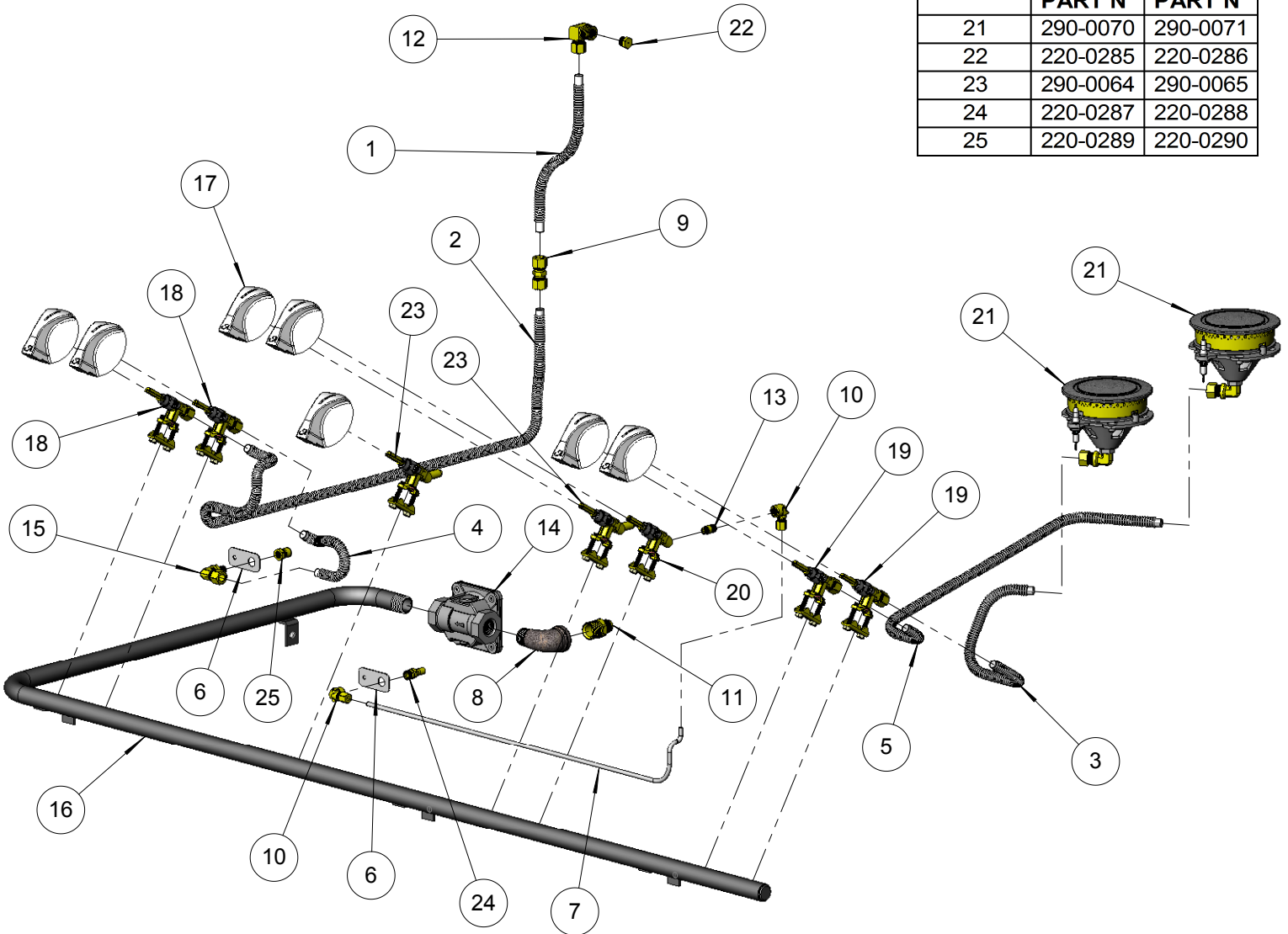


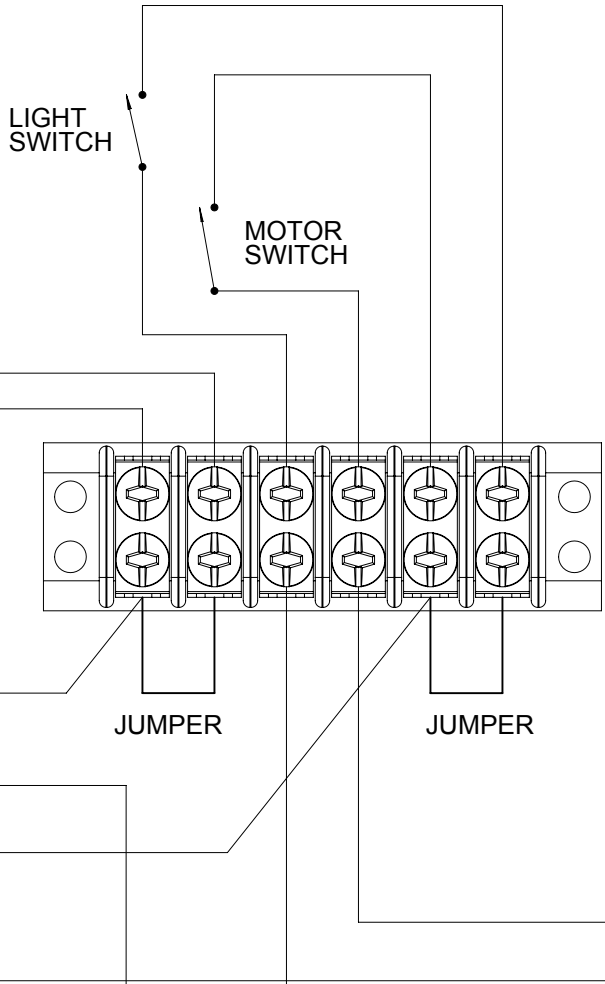
**BILL OF MATERIAL**

NO.	PART NUMBER	DESCRIPTION	QTY.
1	100-0917	ROTISSERIE GAS LINE EXTENSION - 3/8"Ø X 8" - SS	1
2	100-0914	ROTISSERIE GAS LINE (42"L x 3/8" Ø - SS. FLEX TUBE)	1
3	100-0917	ALX2-56 SIDE BURNER 8 in GAS LINE	1
4	100-0917	SEAR ZONE™ GAS LINE (8"L x 3/8" Ø - SS. FLEX TUBE)	1
5	100-0941	ALX2-56 SIDE BURNER 24 in GAS LINE.SLDPRT	1
6	100-1067	SMOKER & SZ™ ORIFICE BRACKET	2
7	100-1156	42" BBQ SMOKER GAS LINE	1
8	200-0274	ELBOW 90° - CAST IRON - 1/2" FPT x 1/2" MPT	1
9	220-0151	COUPLING 3/8" x 3/8" - COMPRESSION - BRASS	1
10	220-0273	ELBOW 90° - 1/8" FPT x 3/16" COMP	2
11	220-0275	NIPPLE - 1/2" MPT X 3/8" MPT	1
12	220-0276	ELBOW 3/8" MPT x 1/8" FPT x 3/8" COMP	1
13	220-0277	NIPPLE 1/8"MPT x 1/16"MPT	1
14	220-0280	REGULATOR GAS - MAXITROL RV48CL440002	1
15	220-0293	ELBOW 1/4" FPT x 3/8" COMP	1
16	220-0344	MANIFOLD - 56" BBQ LX2 DELUXE	1
17	290-0030	KNOB BBQ - ALFRESCO "A" LETTER	7
18	290-0041	GAS VALVE - STRAIGHT - WITHOUT ORIFICES	2
19	290-0042	GAS VALVE - SIDE BURNER - WITH INTERNAL ORIFICE	2
20	290-0066	GAS VALVE - ANGLED - ORIFICE: INT= 0.95 mm / EXT=NONE	1
21	SEE NOTE	SIDE BURNER ASSEMBLY >>> SEE NOTE	2
22	SEE NOTE	ORIFICE - IR ROTISSERIE UNIT >>> SEE NOTE	1
23	SEE NOTE	GAS VALVE - ANGLED WITH ORIFICE >>> SEE NOTE	2
24	SEE NOTE	ORIFICE - SMOKER UNIT >>> SEE NOTE	1
25	SEE NOTE	ORIFICE - SEAR ZONE™ >>> SEE NOTE	1

**NOTE:**  
ORIFICE, VALVE OR BURNER TO CHANGE ACCORDING TO GAS SUPPLY (NG OR LP).

ITEM N°	NG	LP
	PART N°	PART N°
21	290-0070	290-0071
22	220-0285	220-0286
23	290-0064	290-0065
24	220-0287	220-0288
25	220-0289	220-0290



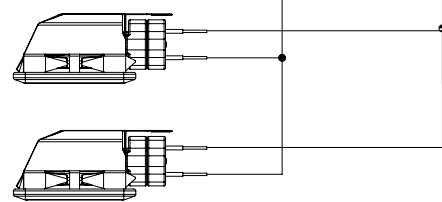


TERMINAL BLOCK  
210-0302

ROTISSERIE  
MOTOR

N  
~ 115 VAC - 50/60 Hz.  
L  
G

JUMPER JUMPER



LIGHTS  
(2) 120 VAC x 40W  
MODEL: G940120  
SOCKET: G9