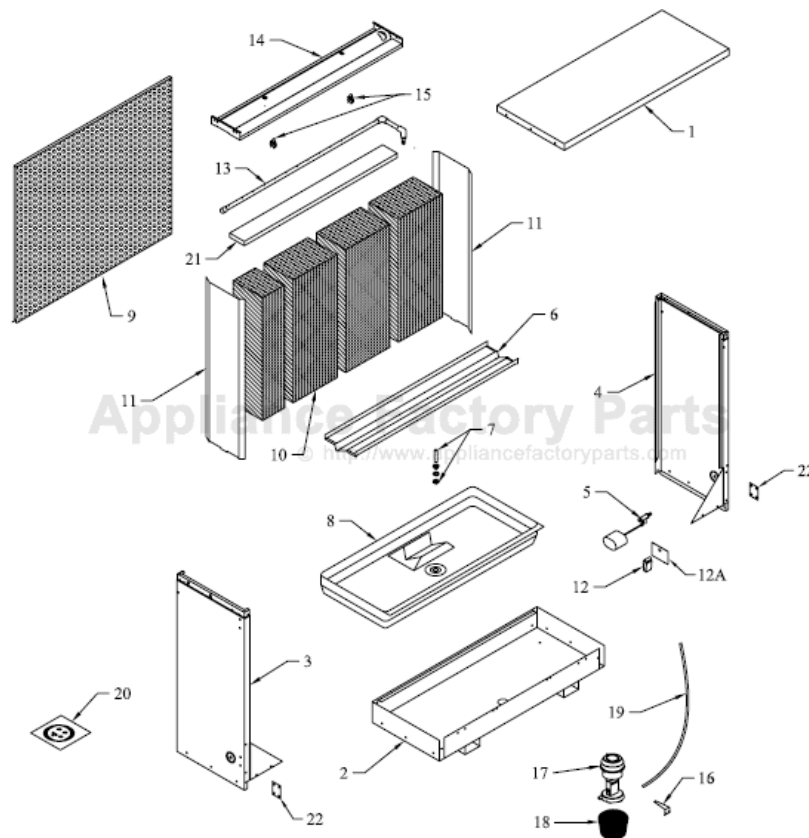


MASTERCool AD20012W Owner's Manual

[Shop genuine replacement parts for MASTERCool
AD20012W](#)



[Find Your MASTERCool Evaporative Cooler Parts - Select From 135 Models](#)

----- Manual continues below -----

SPECIFICATIONS & SUBMITTAL DATA

FEATURES:

- Heavy gauge galvanized steel cabinet
- Electrostatically applied Polyester resin powder paint finish
- Thermoplastic water reservoir
- Long life media, efficient and self cleaning
- Greater air flow
- Low maintenance
- Made in the U.S.A.



Project _____

Location _____

Architect _____

Engineer _____

Contractor _____

Submitted By _____ Date _____



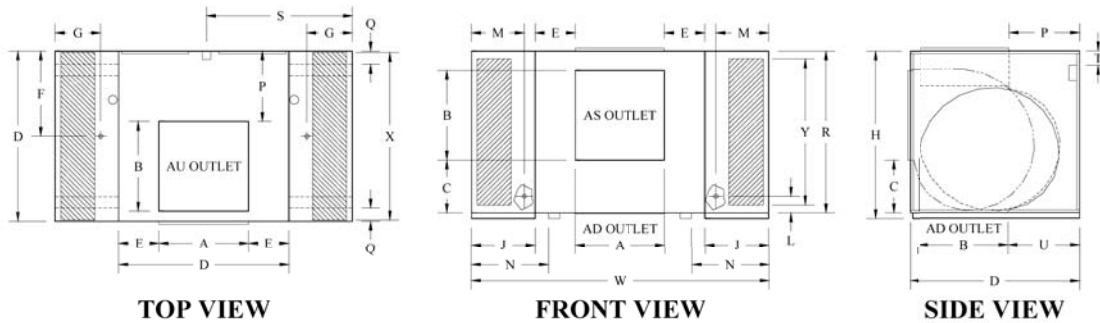
MODELS

- AS/AD 10012**
- AS/AD 15012**
- AS/AD/AU 20012**

Ref. No.	Cooler Model No.	Qty.	CFM	Static Pressure	Motor	HP	Speed	Volts	Phase	Pulley-Belt Kit No.	Pump	Qty.	Volts
1													
2													
3													
4													
5													
6													
7													
8													
9													

Notes

CHAMPION COOLER
 5800 Murray, Little Rock, AR 72209
 1-800-643-8341
 info@championcooler.com



DIMENSIONAL DATA*																						
BLOWER MODEL NUMBER	WET MODULE NUMBER	CABINET			DUCT OPENING		DUCT LOCATION			DRAIN LOCATION			WET MODULE	MEDIA DIMENSION		WATER SERVICE		ELECTRIC SERVICE		SKID LOCATIONS		
		H	W	D	A	B	C (AS)	U (AD)	P (AU)	E	F	G		J	X	Y	L	M	S	T	N	Q
AS/AD 10012B	10012W	44	90	45	21 3/4	21 3/4	13 19/32	21 11/32	N/A	11 5/8	22 1/2	16 1/2	22 1/2	44 3/4	36 5/8	5 7/8	18 5/8	43 7/8	5 5/32	27 1/4	4 3/4	42
AS/AD 15012B	15012W	54	93 1/4	48 1/4	26 7/8	26 7/8	16 13/16	19 5/32	N/A	10 11/16	24 1/8	16 1/2	22 1/2	48	46 3/8	5 7/8	18 5/8	45 1/2	5 5/32	27 1/4	4 3/4	52
AS/AD/AU 20012B	20012W	59 1/4	105 1/4	60 1/4	31 3/4	31 3/4	18 11/16	25 1/4	24 29/32	14 1/4	30 1/8	16 1/8	22 1/2	60	51 5/8	5 7/8	18 5/8	51 5/8	5 5/32	27 1/4	4 3/4	57 1/4

* All Measurements in inches.

AS/AD 10012				PERFORMANCE Certified Air Delivery At .1" Increments Of External Static Pressure (Inches Static Pressure Water Gauge)																					
MAX B.H.P.	OPER. WGT.	AD BELT	AS BELT	0"		0.1"		0.2"		0.3"		0.4"		0.5"		0.6"		0.7"		0.8"		0.9"		1.0"	
				CFM	RPM	CFM	RPM	CFM	RPM	CFM	RPM	CFM	RPM	CFM	RPM	CFM	RPM	CFM	RPM	CFM	RPM	CFM	RPM	CFM	RPM
1-1/2	852	A76	A82	7431	382	7255	390	7052	400	6835	411	6611	424	6376	437	6131	450	5877	464	5610	477	5327	492	5031	507
2	856	B77	B83	8178	421	8024	427	7842	436	7649	446	7450	457	7244	468	7030	480	6809	492	6580	504	6343	517	6095	529
3	895	B80	B86	9362	482	9235	487	9075	494	8914	502	8744	511	8572	520	8393	531	8209	541	8024	551	7827	562	7631	572
5	899	B81	B87	11099	571	11001	575	10868	581	10736	587	10598	594	10457	601	10313	609	10165	617	10016	625	9862	634	9709	643

AS/AD 15012				PERFORMANCE Certified Air Delivery At .1" Increments Of External Static Pressure (Inches Static Pressure Water Gauge)																					
MAX B.H.P.	OPER. WGT.	AD BELT	AS BELT	0"		0.1"		0.2"		0.3"		0.4"		0.5"		0.6"		0.7"		0.8"		0.9"		1.0"	
				CFM	RPM	CFM	RPM	CFM	RPM	CFM	RPM	CFM	RPM	CFM	RPM	CFM	RPM	CFM	RPM	CFM	RPM	CFM	RPM	CFM	RPM
2	1018	B90	B96	11375	303	10905	314	10482	324	10079	335	9678	346	9265	356	8830	368	8366	380	7867	394	7325	409	6753	426
3	1057	B92	B100	13020	346	12604	356	12225	365	11865	375	11514	384	11165	393	10807	403	10440	413	10058	423	9651	433	9220	445
5	1061	B93	B100	15438	410	15084	419	14749	427	14434	435	14133	443	13838	450	13540	458	13246	466	12899	474	12640	482	12328	490
7-1/2	1095	B95	B101	17672	470	17360	477	17060	484	16777	491	16505	498	16242	505	15983	512	15724	519	15463	526	15207	532	14947	539

AS/AD/AU 20012					PERFORMANCE Certified Air Delivery At .1" Increments Of External Static Pressure (Inches Static Pressure Water Gauge)																					
MAX B.H.P.	OPER. WGT.	AD BELT	AS BELT	AU BELT	0"		0.1"		0.2"		0.3"		0.4"		0.5"		0.6"		0.7"		0.8"		0.9"		1.0"	
					CFM	RPM	CFM	RPM	CFM	RPM	CFM	RPM	CFM	RPM	CFM	RPM	CFM	RPM	CFM	RPM	CFM	RPM	CFM	RPM	CFM	RPM
3	1291	B100	B112	B92	16267	276	15716	284	15200	292	14696	300	14190	308	13665	317	13110	325	12521	335	11886	346	11194	358	10450	371
5	1295	B100	B112	B92	19286	327	18820	334	18371	341	17943	348	17518	355	17092	361	16661	368	16211	375	15752	383	15272	390	14760	399
7 1/2	1329	B103	B112	B93	22077	374	21670	380	21270	387	20888	393	20514	399	20142	405	19769	410	19395	416	19015	422	18629	428	18229	435
10	1346	B103	B112	B93	24301	412	23929	417	23562	423	23204	429	22866	434	22528	440	22190	445	21852	450	21510	456	21171	461	20823	467

Performance shown is for installation type B - Free inlet, Ducted outlet. Power rating (BHP) does not include drive losses.

PULLEY-BELT KIT SELECTION								
H.P.	BORE	AD 10012 PULLEY-BELT KIT NO.	AS 10012 PULLEY-BELT KIT NO.	AD 15012 PULLEY-BELT KIT NO.	AS 15012 PULLEY-BELT KIT NO.	AD 20012 PULLEY-BELT KIT NO.	AS 20012 PULLEY-BELT KIT NO.	AU 20012 PULLEY-BELT KIT NO.
1 1/2	5/8	3DI-11	3DI-31	-	-	-	-	-
1 1/2	7/8	3DI-10	3DI-30	-	-	-	-	-
2	5/8	3DI-16	3DI-36	3DI-51 (Static < 0.7)	3DI-71 (Static < 0.7)	-	-	-
2	5/8	-	-	3DI-53 (Static > 0.4)	3DI-73 (Static > 0.4)	-	-	-
2	7/8	3DI-15	3DI-35	3DI-50 (Static < 0.7)	3DI-70 (Static < 0.7)	-	-	-
2	7/8	-	-	3DI-52 (Static > 0.4)	3DI-72 (Static > 0.4)	-	-	-
3	1 1/8	3DI-20	3DI-40	3DI-56	3DI-75	3DI-195	3DI-210	3DI-225
5	1 1/8	3DI-25	3DI-45	3DI-60	3DI-80	3DI-200	3DI-215	3DI-230
7 1/2	1 3/8	-	-	3DI-65	3DI-86	3DI-203	3DI-218	3DI-233
10	1 3/8	-	-	-	-	3DI-205	3DI-220	3DI-235

MOTOR SPECIFICATIONS																														
BLOWER MOTORS		VOLTS	PHASE	MOTOR AMPS*	SHAFT DIA.	MOTOR WGT(LB)	MOTOR PART NO.	BLOWER MOTORS		VOLTS	PHASE	MOTOR AMPS*	SHAFT DIA.	MOTOR WGT(LB)	MOTOR PART NO.															
H.P.	SPEED							H.P.	SPEED																					
1 1/2	1	115/208-230	1	20/11-10	5/8	41	110459-1	7 1/2	1	230/460	3	22/11	1 3/8	121	110470-9															
1 1/2	1	208-230/460	3	6.6-6/3	7/8	40	110463-9	10	1	230/460	3	28/14	1 3/8	138	110482-9															
2	1	115/208-230	1	24/13.2-12	5/8	50	110460-1	<table border="1"> <thead> <tr> <th>PUMP PART NO.</th> <th>VOLTS</th> <th>AMPS</th> <th>WATTS</th> <th>GPM (5FT. HEAD)</th> </tr> </thead> <tbody> <tr> <td>110467</td> <td>115</td> <td>1.0</td> <td>73</td> <td>4.6</td> </tr> <tr> <td>110468</td> <td>230</td> <td>0.58</td> <td>77</td> <td>4.6</td> </tr> </tbody> </table>								PUMP PART NO.	VOLTS	AMPS	WATTS	GPM (5FT. HEAD)	110467	115	1.0	73	4.6	110468	230	0.58	77	4.6
PUMP PART NO.	VOLTS	AMPS	WATTS	GPM (5FT. HEAD)																										
110467	115	1.0	73	4.6																										
110468	230	0.58	77	4.6																										
2	1	208-230/460	3	7.5-6.8/3.4	7/8	44	110464-9																							
3	1	208-230/460	3	10.6-9.6/4.8	1 1/8	83	110465-9																							
5	1	230/460	3	15.2/7.6	1 1/8	87	110466-9																							

* Amperage shown is from National Electrical Code. Use amperage shown on motor nameplate to determine motor protector.

Pumps - 2 Required.