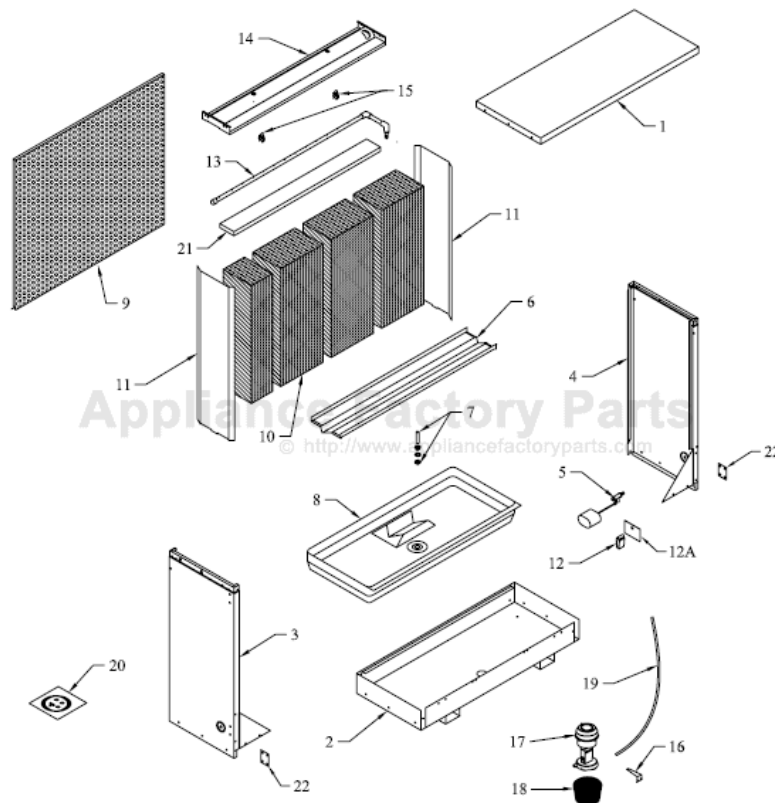


# MASTERCool SAD15012W Owner's Manual

[Shop genuine replacement parts for MASTERCool  
SAD15012W](#)



[Find Your MASTERCool Evaporative Cooler Parts - Select From 135 Models](#)

----- Manual continues below -----

# SPECIFICATIONS & SUBMITTAL DATA

**FEATURES:**

- Heavy gauge galvanized steel cabinet
- Electrostatically applied Polyester resin powder paint finish
- Thermoplastic water reservoir
- Long life media, efficient and self cleaning
- Greater air flow
- Low maintenance
- Made in the U.S.A.



Project \_\_\_\_\_

Location \_\_\_\_\_

Architect \_\_\_\_\_

Engineer \_\_\_\_\_

Contractor \_\_\_\_\_

Submitted By \_\_\_\_\_ Date \_\_\_\_\_



**MODELS**

**SAS/SAD 10012**

**SAS/SAD 15012**

Ref. No.	Cooler Model No.	Qty.	CFM	Static Pressure	Motor	HP	Speed	Volts	Phase	Pulley-Belt Kit No.	Pump	Qty.	Volts
1													
2													
3													
4													
5													
6													
7													
8													
9													

**Notes**

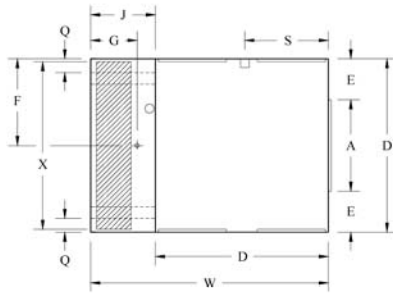
\_\_\_\_\_

\_\_\_\_\_

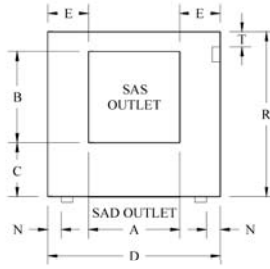
\_\_\_\_\_

\_\_\_\_\_

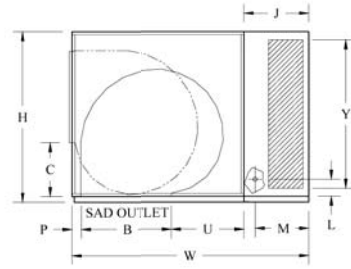
**CHAMPION COOLER**  
 5800 Murray, Little Rock, AR 72209  
 1-800-643-8341  
 info@championcooler.com



TOP VIEW



FRONT VIEW



SIDE VIEW

**DIMENSIONAL DATA\***

BLOWER MODEL NUMBER	WET MUDULE NUMBER	CABINET			DUCT OPENING		DUCT LOCATION			DRAIN LOCATION			WET MODULE		MEDIA DIMENSION		WATER SERVICE		ELECTRIC SERVICE		SKID LOCATIONS		
		H	W	D	A	B	C (SAS)	U (SAD)	P (SAD)	E	F	G	J	X	Y	L	M	S	T	N	Q	R	
SAS/SAD 10012B	10012W	44	67 3/8	45	21 3/4	21 3/4	13 19/32	21 11/32	1 29/32	11 5/8	22 1/2	16 1/2	22 1/2	44 3/4	36 5/8	5 7/8	18 5/8	21 1/2	5 5/32	4 3/4	4 3/4	42	
SAS/SAD 15012B	15012W	54	70 5/8	48 1/4	26 7/8	26 7/8	16 13/16	19 5/32	2 7/32	10 11/16	24 1/8	16 1/2	22 1/2	48	46 3/8	5 7/8	18 5/8	23 1/8	5 5/32	4 3/4	4 3/4	52	

\* All Measurements in inches.

SAS/SAD 10012				PERFORMANCE Certified Air Delivery At .1" Increments Of External Static Pressure (Inches Static Pressure Water Gauge)																					
MAX B.H.P.	OPER. WGT.	SAD MODEL BELT	SAS MODEL BELT	0"		0.1"		0.2"		0.3"		0.4"		0.5"		0.6"		0.7"		0.8"		0.9"		1.0"	
				CFM	RPM	CFM	RPM	CFM	RPM	CFM	RPM	CFM	RPM	CFM	RPM	CFM	RPM	CFM	RPM	CFM	RPM	CFM	RPM	CFM	RPM
3/4	589	B77	B83	5371	362	5064	374	4794	386	4536	397	4269	410	3985	423	3667	439	3318	458	2952	481	2591	507	2261	534
1	595	B77	B83	5911	359	5627	410	5375	420	5142	431	4907	441	4663	453	4399	465	4115	479	3809	495	3480	514	3145	536
1 1/2	605	B77	B83	6767	457	6513	466	6286	475	6076	484	5872	494	5666	503	5456	513	5238	523	5008	534	4755	546	4497	560

SAS/SAD 15012				PERFORMANCE Certified Air Delivery At .1" Increments Of External Static Pressure (Inches Static Pressure Water Gauge)																					
MAX B.H.P.	OPER. WGT.	SAD MODEL BELT	SAS MODEL BELT	0"		0.1"		0.2"		0.3"		0.4"		0.5"		0.6"		0.7"		0.8"		0.9"		1.0"	
				CFM	RPM	CFM	RPM	CFM	RPM	CFM	RPM	CFM	RPM	CFM	RPM	CFM	RPM	CFM	RPM	CFM	RPM	CFM	RPM	CFM	RPM
3/4	722	B90	B96	6997	267	6539	278	6087	289	5603	301	5051	315	4415	332	3717	353	3058	376	2497	398	2013	419	1571	436
1	725	B90	B96	7702	294	7286	303	6876	314	6450	324	5994	336	5477	349	4893	364	4260	383	3637	404	3085	425	2609	444
1 1/2	727	B90	B96	8817	336	8455	345	8091	353	7734	363	7359	372	6961	382	6525	393	6050	405	5527	419	4976	435	4425	453
2	741	B90	B96	N/A	N/A	9375	378	9044	386	8719	394	8389	402	8043	411	7683	420	7293	430	6869	440	6416	452	5932	465
3	752	B92	B100	N/A	N/A	N/A	N/A	N/A	N/A	N/A	N/A	N/A	N/A	N/A	N/A	9377	466	9070	474	8751	482	8407	490	8046	499

Performance shown is for installation type B - Free inlet, Ducted outlet. Power rating (BHP) does not include drive losses.

**PULLEY-BELT KIT SELECTION**

H.P.	BORE	SAD 10012 PULLEY-BELT KIT NO.	SAS 10012 PULLEY-BELT KIT NO.	SAD 15012 PULLEY-BELT KIT NO.	SAS 15012 PULLEY-BELT KIT NO.
3/4	5/8	3DI-90 (Static < 0.6)	3DI-110 (Static < 0.6)	3DI-130 (Static < 0.5)	3DI-165 (Static < 0.6)
3/4	5/8	3DI-95 (Static > 0.6)	3DI-115 (Static > 0.6)	3DI-135 (Static > 0.5)	3DI-170 (Static > 0.6)
1	5/8	3DI-90 (Static < 0.4)	3DI-110 (Static < 0.4)	3DI-130 (Static < 0.4)	3DI-165 (Static < 0.4)
1	5/8	3DI-95 (Static > 0.4)	3DI-115 (Static > 0.4)	3DI-135 (Static > 0.4)	3DI-170 (Static > 0.4)
1	7/8	3DI-100 (Static < 0.4)	3DI-120 (Static < 0.4)	3DI-140 (Static < 0.4)	3DI-175 (Static < 0.4)
1	7/8	3DI-105 (Static > 0.4)	3DI-125 (Static > 0.4)	3DI-145 (Static > 0.4)	3DI-180 (Static > 0.4)
1 1/2	5/8	3DI-95	3DI-115	3DI-135 (Static < 0.9)	3DI-170 (Static < 0.9)
1 1/2	5/8	-	-	3DI-156 (Static > 0.7)	3DI-186 (Static > 0.7)
1 1/2	7/8	3DI-105	3DI-125	3DI-145 (Static < 0.9)	3DI-180 (Static < 0.9)
1 1/2	7/8	-	-	3DI-155 (Static > 0.7)	3DI-185 (Static > 0.7)
2	5/8	-	-	3DI-135 (Static < 0.8)	3DI-170 (Static < 0.8)
2	5/8	-	-	3DI-156 (Static > 0.5)	3DI-186 (Static > 0.5)
2	7/8	-	-	3DI-145 (Static < 0.8)	3DI-180 (Static < 0.8)
2	7/8	-	-	3DI-155 (Static > 0.5)	3DI-185 (Static > 0.5)
3	1 1/8	-	-	3DI-161	3DI-190

**MOTOR SPECIFICATIONS**

BLOWER MOTORS		VOLTS	PHASE	MOTOR AMPS*	SHAFT DIA.	MOTOR WGT(LB)	MOTOR PART NO.	BLOWER MOTORS		VOLTS	PHASE	MOTOR AMPS*	SHAFT DIA.	MOTOR WGT(LB)	MOTOR PART NO.
H.P.	SPEED							H.P.	SPEED						
3/4	1	115/208-230	1	13.8/7.6-6.9	5/8	24	110455	2	1	115/208-230	1	24/13.2-12	5/8	50	110460-1
3/4	2	230	1	6.9	5/8	29	110456	2	1	208-230/460	3	7.5-6.8/3.4	7/8	44	110464-9
3/4	1	208-230/460	3	3.5-3.2/1.6	5/8	20	110461	3	1	208-230/460	3	10.6-9.6/4.8	1 1/8	83	110465-9
1	1	115/230	1	16/8	5/8	28	110457								
1	2	230	1	8	5/8	29	110458								
1	1	208-230/460	3	4.6-4.2/2.1	7/8	34	110462-9								
1 1/2	1	115/208-230	1	20/11-10	5/8	41	110459-1								
1 1/2	1	208-230/460	3	6.6-6/3	7/8	40	110463-9								

\* Amperage shown is from National Electrical Code. Use amperage shown on motor nameplate to determine motor protector.

Pumps - 1 Required.

PUMP PART NO.	VOLTS	AMPS	WATTS	GPM (5FT. HEAD)
110467	115	1.0	73	4.6
110468	230	0.58	77	4.6