



Single Inlet Whole-House Evaporative Coolers

Our high quality, American-made coolers provide an economical, environmentally-friendly means of cooling up to 2300 sq. ft. Engineered for maximum airflow and superior durability, the MasterCool line of coolers not only saves energy dollars, but provides years of worry-free cooling comfort for you and your family.

Superior Design • Quality Parts • Exceptional Warranty

- ◆ UL Classified and Built in the USA
- ◆ Limited lifetime warranty on wet section
- ◆ Uses high performance rigid media
- ◆ Uniquely engineered rust-free thermoplastic reservoir
- ◆ Energy efficient savings of up to 75% over traditional air conditioning
- ◆ Unique perforated air inlet screen provides more air flow than the competition
- ◆ Tough, polyester-resin coating on exterior surface for weather and impact resistance



Up Discharge



Side Discharge

Cooling to Order

Choose the configuration, motor size and cooling media depth to ensure you get the cooling you need.

Available Configurations

- ☆ Up Discharge
- ☆ Side Discharge
- ☆ Down Discharge

Available Motor Sizes:

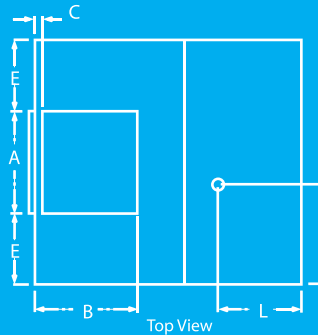
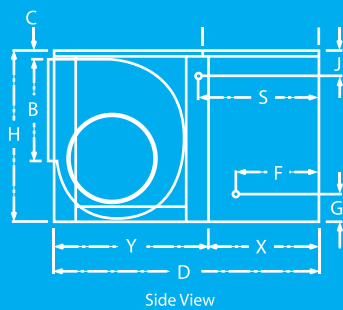
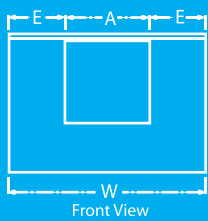
- ☆ 1/3 HP
- ☆ 1/2 HP
- ☆ 3/4 HP
- ☆ 1 Hp

Available Media Depth:

- ☆ 8"
- ☆ 12"



Down Discharge



MasterCool by Champion Cooler
 5800 Murray St.
 Little Rock, AR 72209
 www.championcooler.com

Match the dimensions on the diagrams above to their correlating measurements in the chart.

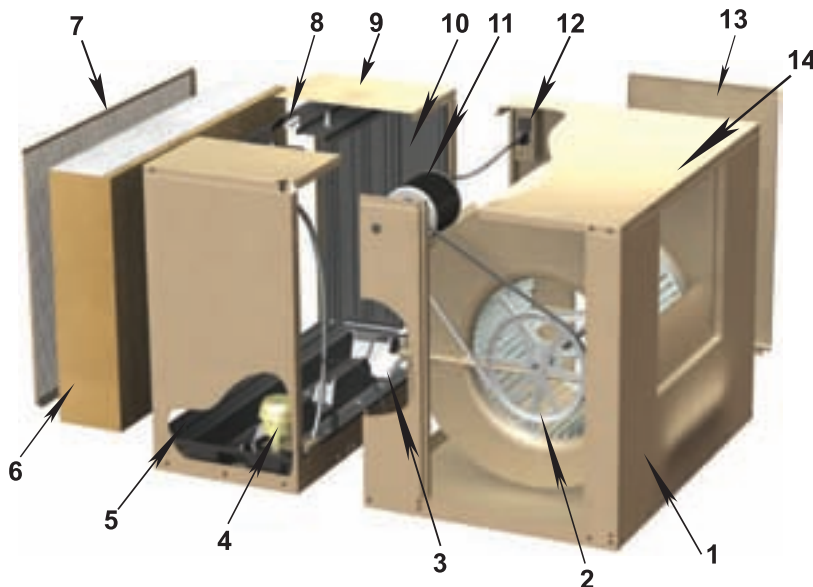
Model No.	Dimensions & Specifications (in inches)																							
	Cabinet Dimensions			Duct				Water Service Location	Electrical Service Location	Drain Location	Blower Wheel	Shaft	Belt Length	Weight		Module Length		Media Dimensions						
				Opening		Location								OPER	SHIP	X	Y	H	W	D				
H	W	D	A	B	C	E	F	G	S	J	K	L	DIA	WIDTH	DIA									
ADA35	22 9/16	34	40	13 5/8	13 3/8	1	10 3/16	14 7/16	5 1/4	20 1/2	3 5/8	17	14 5/8	12 7/8	12 1/8	1	43	187	130	17 15/16	22	17 7/8	33 7/8	8
ASA35						17/8											46							
ADA51	28	42	45	17 3/4	17 3/4	1 1/2	12 1/8	13	5 3/4	20 3/8	3 9/16	17	14 1/16	16	16 3/4	1	52*	227	163	18 1/4	26 3/4	22 1/4	41 1/4	8
ASA51																	57							
AUA51																	51							
ADA5112	28	42	49	17 3/4	17 3/4	1 1/2	12 1/8	17	5 3/4	24 3/8	3 9/16	17	18 1/16	16	16 3/4	1	52*	257	176	22 1/4	26 3/4	22 1/4	41 1/4	12
ASA5112																	57							
ADA71																	64							
ASA71	34 5/8	42	48	19 3/4	19 3/4	1 1/2	11 1/8	13	5 3/4	20 3/8	3 9/16	17	14 1/16	20	16 3/4	1	67	263	193	18 1/4	29 3/4	28 7/8	41 1/4	8
ASA71																	67							
AUA71																	67							
ADA7112	34 5/8	42	52	19 3/4	19 3/4	1 1/2	11 1/8	17	5 3/4	24 3/8	3 9/16	17	18 1/16	20	16 3/4	1	64	300	213	22 1/4	29 3/4	28 7/8	41 1/4	12
ASA7112																	67							

* 3/4 HP requires 53" belt

Motor * & Pulley Specifications						Cubic Feet Per Minute (CFM)						
Motors and Pulleys sold and shipped separately.						Inches of Static Pressure						
Model No.	Industry Std Rating	Cools up to Sq. Ft.	Horse Power	Pulley O.D. x Bore	Amps [‡]	0"	0.1"	0.2"	0.3"	0.4"	0.5"	0.6"
ADA / ASA 35	3000	850	1/3	4 x 1/2	8.3	2022	1871	1738	1607	1470	1311	1107
	3500	1,000	1/2	4 x 1/2	10.9	2315	2178	2061	1947	1834	1714	1581
ADA / ASA / AUA 51	4000	1,100	1/3	3 3/4 x 1/2	8.3	2873	2650	2390	2060	1806	1600	1370
	4400	1,400	1/2	4 x 1/2	10.9	3321	3110	2910	2650	2400	2130	1940
	5000	1,650	3/4	4 x 1/2	14.9	3788	3630	3450	3260	3020	2806	2570
ADA/ASA / AUA 5112	4000	1,100	1/3	3 3/4 x 1/2	8.3	2750	2566	2323	1997	1629	1313	1039
	4400	1,400	1/2	4 x 1/2	10.9	3149	2993	2803	2564	2266	1944	1648
	5000	1,650	3/4	4 x 1/2	14.9	3606	3472	3317	3135	2918	2661	2379
ADA / ASA / AUA 71	5400	1,700	1/2	3 3/4 x 1/2	10.9	3987	3750	3510	3270	3055	2610	2210
	6000	2,000	3/4	4 x 1/2	14.9	4564	4350	4130	3940	3730	3580	3180
	7000	2,300	1	4 x 5/8	17.1	5024	4820	4630	4450	4280	4100	3900
ADA/ASA / AUA 7112	5400	1,700	1/2	3 3/4 x 1/2	10.9	3922	3685	3462	3212	2898	2471	2002
	6000	2,000	3/4	4 x 1/2	14.9	4488	4279	4087	3888	3662	3392	3049
	7000	2,300	1	4 x 5/8	17.1	4941	4747	4572	4394	4208	3996	3749

* All motors single phase, 115 volt, 1 or 2 speeds. ‡ Pump and blower high speed amperage based on National Electrical Code

Features of MasterCool®



	Feature	Advantage
1	Cabinet	Ultra strong galvanized steel construction. All surfaces coated for corrosion resistance. All exterior surfaces electrostatically coated with polyester resin.
2	Blower wheel	Designed for quiet operation
3	Float	Easy adjustment brass float arm
4	Pump	Thermally-protected and UL recognized
5	Water reservoir	Non corrosive thermoplastic design
6	Evaporative media	Long-lasting easy to clean. 5-year limited warranty
7	Mesh prefilter screen	Allows greater air flow while protecting media
8	Water distribution system	PVC tubing and protective housing creates even water flow and distribution to media
9	Wet Section with access panel	Wet section can be separated from blower section for easy field installation and access to components. Limited lifetime warranty.
10	Moisture shield	Non-metallic barrier to prevent contact of water and metal cabinet
11	*Motor	High torque, thermally-protected.
12	Junction box	Easily accessible for pump and motor plug in
13	Inspection panel	Provides easy access for maintenance and cleaning
14	Blower cabinet top panel	Protects motor from outside moisture

* Motor and pulley sold separately.