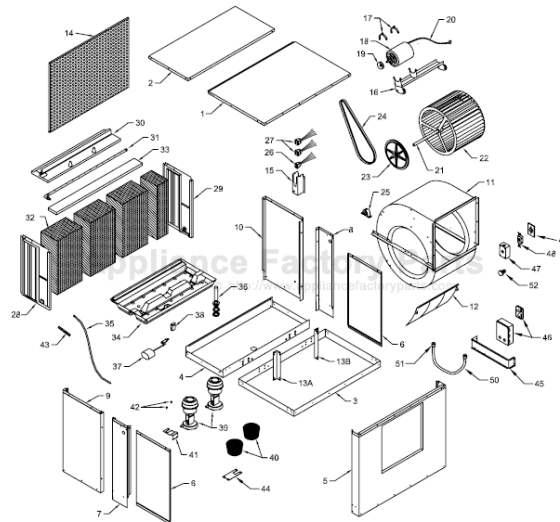


This Owner's Manual is provided and hosted by [Appliance Factory Parts](#).



MASTERCool AS1C5112 Owner's Manual

[Shop genuine replacement parts for MASTERCool AS1C5112](#)



[Find Your MASTERCool Evaporative Cooler Parts - Select From 135 Models](#)

----- Manual continues below -----

SPECIFICATIONS & SUBMITTAL DATA

FEATURES:

- Thermostat, pumps & motor included
- Automatic dump system
- Heavy gauge galvanized steel cabinet
- Electrostatically applied polyester powder coating finish
- Thermoplastic water reservoir and plastic media shield prevent water from contacting metal cabinet
- Long life efficient media
- Removable wet section for easier installation
- Perforated prefilter screen provides greater airflow for better cooling
- Low maintenance and trouble free
- Made in the U.S.A.



MODELS

- AD1C51, AD2C51**
AS1C51, AS2C51
AD1C5112, AD2C5112
AS1C5112, AS2C5112

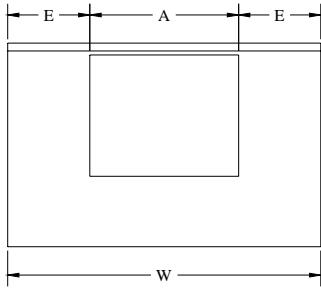
AD1C71, AD2C71
AS1C71, AS2C71
AD1C7112, AD2C7112
AS1C7112, AS2C7112
AU1C7112, AU2C7112

Project	
Location	
Architect	
Engineer	
Contractor	
Submitted By	Date

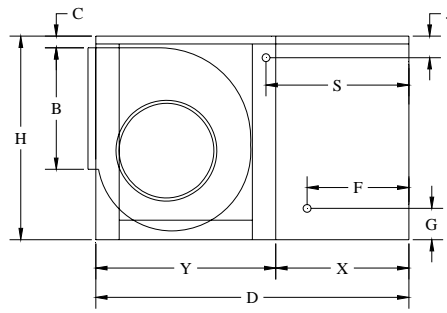
Ref. No.	Cooler Model No.	Qty.	CFM	Static Pressure	Motor	HP	Speed	Volts	Phase	Optional Accesories
1										
2										
3										
4										
5										
6										
7										
8										
9										

Notes

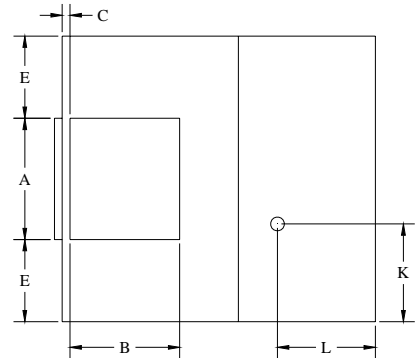
CHAMPION COOLER
 5800 Murray, Little Rock, AR 72209
 1-800-643-8341
 info@championcooler.com



FRONT VIEW



SIDE VIEW



TOP VIEW

CABINET DIMENSIONS*																					
Model No.	General Dimensions			Duct				Water Service Location	Electrical Service Location	Drain Location	Module Length	Belt Length	Blower Wheel			Weight (lbs.)					
				Opening		Location							Dia.	Width	Shaft						
	H	W	D	A	B	C	E	F	G	S	J	K				L	X	Y	Oper.	Ship.	
AD1C51 AD2C51	28	42	45	17 3/4	17 3/4	1 1/2	12 1/8	13	5 3/4	20 3/8	3 9/16	17	14 1/16	18 1/4	26 3/4	53	16	16 3/4	1	233	184
AS1C51 AS2C51	28	42	45	17 3/4	17 3/4	1 1/2	12 1/8	13	5 3/4	20 3/8	3 9/16	17	14 1/16	18 1/4	26 3/4	57	16	16 3/4	1	233	184
AD1C5112 AD2C5112	28	42	49	17 3/4	17 3/4	1 1/2	12 1/8	17	5 3/4	24 3/8	3 9/16	17	18 1/16	22 1/4	26 3/4	53	16	16 3/4	1	263	204
AS1C5112 AS2C5112	28	42	49	17 3/4	17 3/4	1 1/2	12 1/8	17	5 3/4	24 3/8	3 9/16	17	18 1/16	22 1/4	26 3/4	57	16	16 3/4	1	263	204
AD1C71 AD2C71	34 5/8	42	48	19 3/4	19 3/4	1 1/2	11 1/8	13	5 3/4	20 3/8	3 9/16	17	14 1/16	18 1/4	29 3/4	64	20	16 3/4	1	269	220
AS1C71 AS2C71	34 5/8	42	48	19 3/4	19 3/4	1 1/2	11 1/8	13	5 3/4	20 3/8	3 9/16	17	14 1/16	18 1/4	29 3/4	67	20	16 3/4	1	269	220
AD1C7112 AD2C7112	34 5/8	42	52	19 3/4	19 3/4	1 1/2	11 1/8	17	5 3/4	24 3/8	3 9/16	17	18 1/16	22 1/4	29 3/4	64	20	16 3/4	1	306	246
AS1C7112 AS2C7112	34 5/8	42	52	19 3/4	19 3/4	1 1/2	11 1/8	17	5 3/4	24 3/8	3 9/16	17	18 1/16	22 1/4	29 3/4	67	20	16 3/4	1	306	246
AU1C7112 AU2C7112	34 5/8	42	52	19 3/4	19 3/4	1 1/2	11 1/8	17	5 3/4	24 3/8	3 9/16	17	18 1/16	22 1/4	29 3/4	67	20	16 3/4	1	306	246

ELECTRICAL SPECIFICATIONS						CFM*** INCHES STATIC PRESSURE						
Models	HP	Speeds	Phase	Volts	Amps**	0"	0.1"	0.2"	0.3"	0.4"	0.5"	0.6"
AD1C51 AS1C51	3/4	2	1	115	14.9	3788	3630	3450	3260	3020	2806	2570
AD2C51 AS2C51	3/4	2	1	230	7.5							
AD1C5112 AS1C5112	3/4	2	1	115	14.9	3606	3472	3317	3135	2918	2661	2379
AD2C5112 AS2C5112	3/4	2	1	230	7.5							
AD1C71 AS1C71	1	2	1	115	17.1	5024	4820	4630	4450	4280	4100	3900
AD2C71 AS2C71	1	2	1	230	8.6							
AD1C7112 AS1C7112 AU1C7112	1	2	1	115	17.1	4941	4747	4572	4394	4208	3996	3749
AD2C7112 AS2C7112 AU2C7112	1	2	1	230	8.6							

* All Dimensions in inches.

** Blower motor (high speed) and pumps. Amp rating is Full-Load Amperage per National Electric Code.

*** Cubic feet per minute.