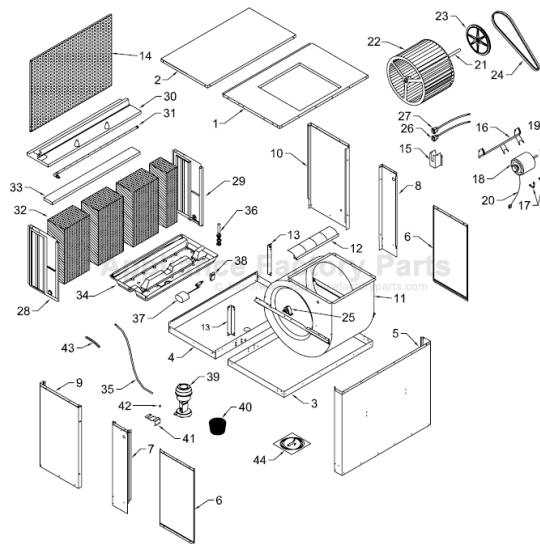


This Owner's Manual is provided and hosted by [Appliance Factory Parts](#).



# MASTERCool AUA71 Owner's Manual

[Shop genuine replacement parts for MASTERCool  
AUA71](#)



[Find Your MASTERCool Evaporative Cooler Parts - Select From 136 Models](#)

----- Manual continues below part list -----

## Available Replacement Parts for MASTERCool AUA71

<a href="#">281001-001</a>	PUMP BASKET FOR: ALL MODELS - RESIDENTIA
<a href="#">110183</a>	SHAFT - NO KEYWAY (HOLLOW) FOR USE W/ALL
<a href="#">110351</a>	BEARING - 1" PILLOW BLOCK (BLOWER SHAFT)
<a href="#">314005-001</a>	MOTOR MOUNT STRAPS (MOUNTS ONE MOTOR)
<a href="#">FL-C</a>	FLOAT VALVE ASSEMBLY FOR: ALL STANDARD R
<a href="#">110429</a>	DIAL UL7500 PUMP W/STRAINER FOR: WC50, N
<a href="#">110714</a>	PUMP MOUNT RETAINER FOR: ALL RESIDENTIAL
<a href="#">310716</a>	1/2" WATER DELIVERY TUBE (5 FT.) + CLAMP
<a href="#">110610</a>	OVERFLOW KIT FOR: ALL RESIDENTIAL DUCTED
<a href="#">310586</a>	BLEED OFF KIT - (1/2" W/ 25 FT HOSE) FOR
<a href="#">110393</a>	MOTOR RECEPTACLE (8" CORD) FOR: RESIDENT
<a href="#">110361</a>	PUMP RECEPTACLE (115/230V)
<a href="#">20BW</a>	BLOWER WHEEL FOR: 5000 SD/DD/RLD & AD/AS
<a href="#">110276</a>	BLOWER PULLEY (12 x 1) FOR: ADA/ASA/AUA7
<a href="#">224004-003</a>	BLOWER CUT OFF PLATE FOR: 5000 DD/5001RL
<a href="#">322009-001</a>	ELECTRONIC BRACKET ASSEMBLY (JUNCTION BO
<a href="#">3D-23</a>	WATER DISTRIBUTOR ASSEMBLY FOR: ASA/ADA/
<a href="#">314003-012</a>	MOTOR MOUNT ASSY FOR: ADA/ASA/AUA70/7012
<a href="#">281006</a>	SPLASH GUARD FOR: ALL RESIDENTAL MASTERC
<a href="#">222130-074</a>	TOP FOR: ADA/ASA/AUA51/71 WET SECTION
<a href="#">222130-072</a>	BOTTOM FOR: ADA/ASA/AUA51/71 WET SECTION
<a href="#">281038-001</a>	WATER DISTRIBUTOR HOUSING FOR: ASA/ADA/A
<a href="#">110120</a>	DISTRIBUTOR PAD - TOP - FOR: ASA/ADA/AUA
<a href="#">224140-002</a>	INSPECTION PANEL FOR: ADA/ASA/AUA71/7112
<a href="#">222140-045</a>	CENTER POST-RGHT-FOR ADA/ASA/AUA71/7112
<a href="#">222140-046</a>	CENTER POST-LEFT-FOR: ASA/ADA/AUA71/7112
<a href="#">222140-047</a>	BACK PANEL - RIGHT - FOR: ADA/ASA/AUA71
<a href="#">222140-048</a>	BACK PANEL - LEFT - FOR: ADA/ASA/AUA71 W
<a href="#">222140-057</a>	PERFORATED GRILLE ALL 71/7112 SERIES
<a href="#">281044-002</a>	MEDIA SHIELD-RIGHT-FOR: ADA/ASA/AUA71

<a href="#">281044-001</a>	MEDIA SHIELD - LEFT - FOR: ADA/ASA/AUA71
<a href="#">110133-2</a>	8 in.Rigid Media for Evaporate cooler
<a href="#">281041-001</a>	WATER RESERVOIR FOR: ADA/ASA/AUA51/71
<a href="#">218001-038</a>	BLOWER SUPPORT BRACKET FOR: ASA71, ASA71
<a href="#">322140-052</a>	BOTTOM FOR ASA/AUA71/7112 BLOWER SECTION



**Read Carefully All Of This Manual Before Installing The Unit**

*Lea Con Cuidado Todo Este Manual Antes De Instalar La Unidad*

**Circle the model of your cooler and record the serial number below.**

*Encierre con un circulo el modelo de su enfriador y escribe el número de série abajo.*

**Serial #**  
*Número De Série* \_\_\_\_\_

**Models**

- |              |                |
|--------------|----------------|
| <b>ADA35</b> | <b>ASA35</b>   |
| <b>ADA51</b> | <b>ADA5112</b> |
| <b>ASA51</b> | <b>ASA5112</b> |
| <b>AUA51</b> | <b>AUA5112</b> |
| <b>ADA71</b> | <b>ADA7112</b> |
| <b>ASA71</b> | <b>ASA7112</b> |
| <b>AUA71</b> | <b>AUA7112</b> |

**Table Of Contents**

Safety Instructions .....	1	Specification Tables ( <i>Tablas de Especificaciones</i> ).....	5
Operation.....	1-2	Parts List (ADA35, ASA35) .....	6-7
Installation Instructions.....	2-3	Parts List (51 & 71 Series Down Discharge).....	8-9
Electrical Wiring Diagram .....	3	Parts List (51 & 71 Series Side Discharge).....	10-11
Maintenance Section .....	3-4	Parts List (51 & 71 Series Up Discharge).....	12-13
Troubleshooting .....	4	<i>Instrucciones en Español</i> .....	13-16
Warranty.....	5		

*Vea el Español en el interior.*

**Read And Save These Instructions**

**Safety Rules**

1. Read instructions carefully.
2. Electrical hook up should be done by a qualified electrician, so that all electrical wiring will conform to your local standards.
3. Always turn **OFF POWER** and **UNPLUG** motor and pump inside the cooler before installing or performing any maintenance.
4. Your cooler will run on either 120V or 240V A.C., single phase, 60 Hz (cycle) current.
5. Motor and pump have a grounded, molded plug and an automatic thermal overload switch which will shut motor off when it overheats. The motor will restart automatically when it cools down.

**⚠️WARNING:** To reduce the risk of fire or electric shock, do not use this fan with any “solid-state fan speed control device.”

**Evaporative Cooling**

Evaporative cooling is nature’s way of cooling. When air is moved over a wet surface, water is evaporated and heat is absorbed. When stepping out of swimming pool with the wind blowing, evaporative cooling makes you feel cool, even though the air may be warm.

This unit works on the same principle. Air is drawn across wet filter pads where the air is cooled by evaporation and then circulated throughout the building. It is this combination of cooled air and the movement of air over the skin which makes it feel cool.

Unlike refrigeration systems which recirculate the air, an evaporative cooler continually brings in fresh air while exhausting old air. You are completely replacing the air every 2 to 4 minutes by opening windows or doors or a combination of both. The air is always fresh, not stale, laden with smoke and odors as happens with refrigerated air conditioning.

**Operation**

To eliminate the delivery of hot air when starting the cooler, start the pump only for the first few minutes, then turn on the blower motor.

These coolers may be used without water for ventilation purposes. When outside air is cool (for example, at night) or when humidity is high the water pump can be turned off.

A cooler can also be installed with a thermostat and attic exhaust dampers to provide completely automatic operation.

# Open Windows To Exhaust Air

An often misunderstood concept of evaporative cooling is the amount of air that should be exhausted. How much should you open your windows? The fact is that most people do not open their windows enough. The following two methods will help you determine the amount to open your windows.

## First Method

You should allow an opening of at least 2 square feet (288 square inches) for each 1000 CFM rating of your unit. **Example:** At 3320 CFM, model ADA 51 (1/2 hp) requires 6.6 square feet (950 square inches) of opening ( $3320/1000 * 2 = 6.6$ ). Multiply the number of windows by window width in inches and divide this into the number of square inches required for your size unit. This will give you the height to open windows. In this example, four 36 inch wide windows should be opened 6.6 inches each.

## Champion Air Balancing Method

1. Take a piece of tissue paper and cut it lengthwise into 3 equal strips.
2. Turn your cooler on high cool.
3. Open one window at least six inches wide in each room that you want to cool.
4. Take the piece of tissue paper and put it up against the screen of the open window furthest from the cooler discharge opening. Let go of it. It will do one of three things.

*IF* It falls down.  
*THEN* CLOSE all of the windows one inch and try step 4 again.

*IF* It plasters itself to the screen.  
*THEN* OPEN all of the windows one inch and try step 4 again.

*IF* It stays on the screen lightly.  
*THEN* PERFECT. You are done. Enjoy your cooler.

### NOTES:

- When switching to low cool, you must rebalance your home. Repeat step 4.
- Once you balance your home you can cool some areas more than others by opening those windows more and closing the others by the same amount. Repeat step 4 to make sure your home is still air balanced.

## Cooler Installation

**CAUTION:** Make sure that the mounting surface is strong enough to support the operating weight of the cooler when in use. (For operating weight, see Specification Table.)

**CAUTION:** Never plug in cooler until installation is complete and unit has been tested for rigidity.

**CAUTION:** Do not screw or drill within 5 inches of the bottom of the wet module. You could puncture the reservoir.

**CAUTION:** If the unit is supported with legs at each corner, the middle of the unit where the two sections join must be supported as well.

**NOTE:** You can separate the wet module from the blower module by removing the 4 bolts (2 bolts in ADA35 and ASA35) from the wet module side (Fig. 1)

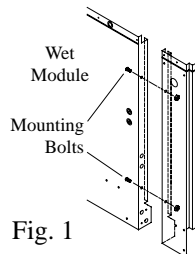


Fig. 1

## Motor Installation

- **Install motor cord.** For typical 120V installation, connect motor cord to motor using the following color code: Black - Hi, Red - Low, White - Com., Green - Ground.

- **Mount motor.** Install blower motor in the motor mount yokes, adjusting the yoke if necessary. Fasten with the provided mounting clips (see Fig. 2). **NOTE:** Adjustable yoke will have to be reversed for 1 H.P. motors.
- **Install pulley.** Install the adjustable motor pulley so that it aligns with the blower drive pulley (see Fig. 3) and tighten set screw.

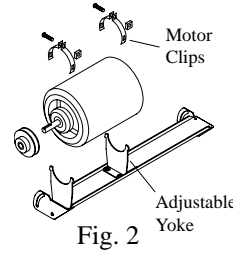


Fig. 2

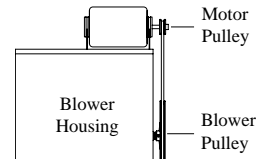


Fig. 3

## Electrical Installation

**WARNING:** Disconnect all electrical service that will be used for this unit before you begin the installation.

- **Remove junction box.** The electrical junction box is located in the upper inside of the left center post. Remove the two screws and pull box out from panel for access to plug wiring (Fig. 4).

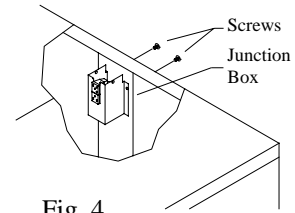


Fig. 4

- **Hook up electrical.** Electrical hook up should be done by a qualified electrician, so that all electrical wiring will conform to your local standards. This unit is supplied with a 120V pump. For 240V pump operation, a 240V pump must be purchased. The fan and pump receptacles will support both 120V and 240V installations. See the wiring diagrams for 120V and 240V installations on the following page. **IMPORTANT:** When a single speed motor is used, do not use the red lead on the receptacle and motor plug wiring. Tape off end of both of the red leads.

**CAUTION:** Pump receptacle is for grounded evaporative cooler pump only. Do not plug anything else into receptacle.

**WARNING:** Make sure that cooler cabinet is properly grounded to a suitable ground connection for maximum safety.

## Water Connection

- **Install overflow assembly.** Remove nut and place nipple through the hole in the pan, with the rubber washer between the pan and the head of the drain nipple (Fig. 5). Screw on nut and draw up tight against bottom of pan. Insert overflow pipe in nipple to retain water. The overflow pipe may be removed to drain pan when necessary. A garden hose may be screwed on the drain nipple to drain water away from your unit.

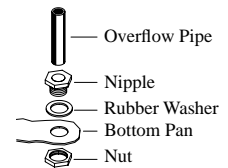


Fig. 5

- **Connect water supply line.** Install a sillcock and water valve on faucet as shown by figure 6. Place the nut and ferrule on the tubing and tighten the nut until water tight. **NOTE:** Do not connect the water supply to any soft water applications.

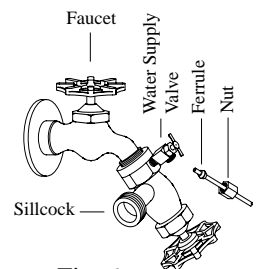


Fig. 6

- **Install float valve and fill pan.** Refer to Fig. 7. Remove items 1, 2, 3, and 4. Insert float body (5) through hole in splash plate (8) (ADA/

ASA35 only) and back post panel as shown. Install washer (1) and nut (2). Tighten to keep float from turning. Place nut (4) and ferrule (3) on water supply line. Connect to float fitting and tighten until water tight. Bend rod (6) to adjust float until water level is about 1 inch below the top of the overflow pipe. Slide float shield (7) over float body (5) until it snaps into place.

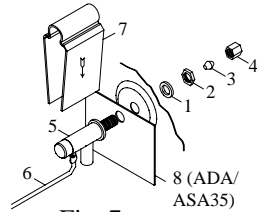


Fig. 7

### Bleed-Off

Installation of the bleed-off kit is recommended to increase the life of the cooler. A bleed-off system is designed to prevent scale build up by continually removing a small percent of the water in the pan.

- **Install Bleeder Tee and Tubing.** Refer to figure 8. Cut the pump hose and insert the barbed ends of the bleeder tee into each cut end. Insert one end of the bleeder tubing onto the bleeder tee and run the other end out of the cooler through the overflow pipe. **Note:** A restrictor clamp is provided which, if desired, may be installed onto the bleeder tubing to restrict the amount of water being bleed off. The amount of water to bleed off depends on the quality of the water in your area. Start with 1-2 gal/hr and increase if needed.

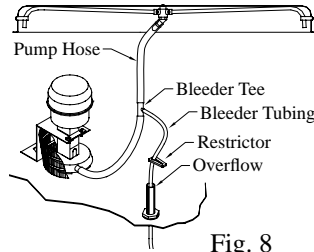


Fig. 8

### Amperage Draw And Belt Tension

This unit is equipped with an adjustable motor drive pulley for adjusting the blower wheel speed to the proper loading on different duct systems. It is important that the motor drive pulley is adjusted to correct size to assure maximum air delivery without damage to the motor. Be sure to follow these instructions carefully.

- **Adjust drive pulley.** After the unit is completely installed, adjust the drive pulley to the least diameter and adjust belt tension. See the maintenance section for adjusting belt tension.
- **Start cooler.** Install both inspection panels, start pump, and allow to operate until pads are wet.
- **Check amperage.** With pads wet and unit started, check amperage draw with an amperage meter.
- **Adjust pulley if necessary.** If amperage draw is less than motor rating, turn off electrical power and remove inspection panels (top pan for models ADA35 and ASA35). Unplug motor inside cooler, this

will protect you from someone turning on unit while you are working inside. This should be done for your safety. Adjust pulley to a larger diameter and readjust belt tension, plug motor in, install inspection panels, and retest amperage draw. Repeat this process until correct amperage draw is attained. Increasing motor pulley diameter increases amperage draw. Decreasing motor pulley diameter decreases amperage draw (see Fig. 9).

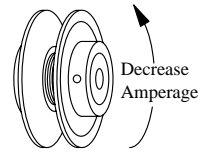


Fig. 9

**CAUTION:** Do not operate cooler with larger amperage draw than specified on motor plate.

**NOTE:** No attempt should be made to completely install this unit without the aid of an electrician or someone familiar with testing amperage draw. Failure to comply with these instructions may void your warranty.

## Maintenance

**WARNING:** Before doing any maintenance be sure power is off. At the time you remove either inspection panel be sure to unplug motor and pump. This is for your safety.

### Spring Start-Up

- **Clean pads.** A clean pad is more absorbent, efficient and will give more cool air. Annually, or when required, using a garden hose with nozzle, back wash to clean out the openings, then clean off the inlet face any scale or other obstruction to the passages. Slight scraping may be required to remove hardened scale.

- **Change pads if necessary.** The pads should be replaced after 5 years or if necessary. To change pads, remove top access panel, remove grill, and disconnect water delivery tube. Remove water distributor holder and lift out media sections. Replace with the same type media. You can purchase them from your dealer.

**IMPORTANT:** In order to get the best performance from your cooling pads, they must be installed properly. If you have purchased a pad with two equal angles, the following instructions can be disregarded. Pads must always be installed with the steeper flute angle sloping down towards the air entering side (Fig. 10). The reason is simple. The steeper angle puts more water on the hot, dry, dirty side of the pad where it is needed most. It also counteracts the tendency of the air to push the water toward the back of the pad.

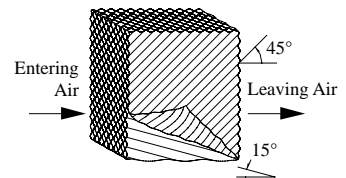
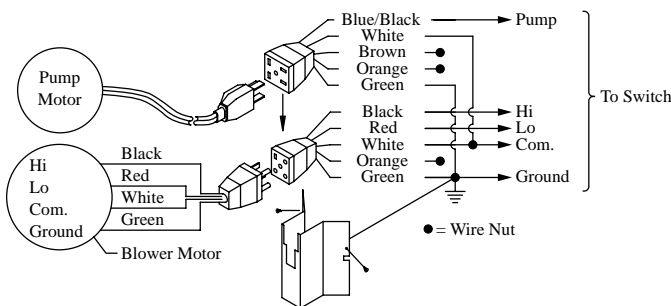


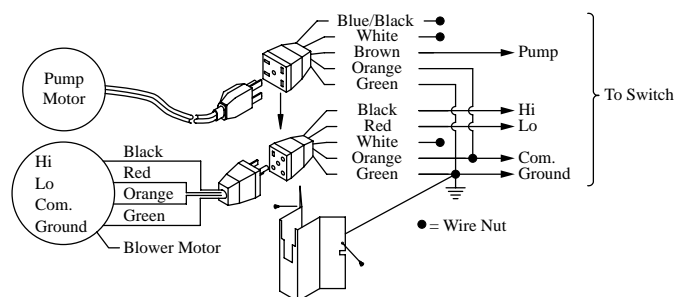
Fig. 10

## Wiring Diagrams

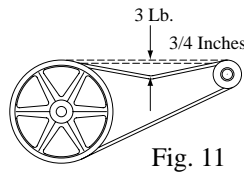
### 120 Volts



### 240 Volts



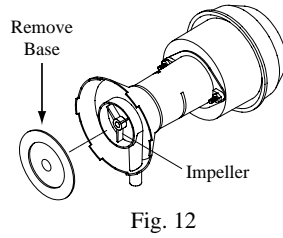
- **Check belt tension.** A 3 lb. force should deflect the belt 3/4 inches (see Fig. 11). Readjust belt if needed.



- **Oil bearings.** The blower bearings and cooler motor in this unit should be oiled with a few drops of non-detergent 20/30 weight oil once each year. The motor does not need oil if it has no oil lines for oiling. Motors that have no oil lines are lifetime oiled at the factory and require no further oiling for the life of the unit.

**CAUTION: Do not over oil.** Over oiling can cause motor burn out, due to excessive oil getting into motor winding.

- **Clean pump.** Cleaning the pump is necessary once a year at start-up. For your safety, turn unit off and unplug motor and pump. Remove the pump from the mount slot. Remove the base of the pump as shown in Fig. 12. Clean the pump and turn the impeller to ensure free operation. Remove the pump



spout and check for any blockage. After cleaning, reinstall the base onto the pump. Press firmly to make sure it is secure. Reattach the pump to the mount in the cooler using the plastic retainer to ensure that the pump will not overturn. Do not forget to replace the spout and water delivery tube onto the pump outlet.

- **Check bleed-off valve to be sure it is not clogged.**

### Winter Shut-Down

- **Drain water.** Always drain all of the water out of the cooler and water supply line when not in use for prolonged periods, and particularly at the end of the season. Keep the water line disconnected from both the unit and water supply so that it does not freeze.
- **Unplug motor and pump.** When cooler is not used for extended periods unplug the motor and pump from inside cooler.
- **Cover unit.** To protect the life of the finish, a cover for the unit is suggested in extended periods of non use.

By following the operating, installation, and maintenance suggestions as outlined, you can get many years of efficient and satisfactory service from your cooler. In the event additional information is desired, your dealer will be more than glad to assist you in every possible way.

## Troubleshooting Guide

<u>Problem</u>	<u>Possible Cause</u>	<u>Remedy</u>
Failure to start or no air delivery	<ol style="list-style-type: none"> <li>1. No electrical power to unit <ul style="list-style-type: none"> <li>• Fuse blown</li> <li>• Circuit breaker tripped</li> <li>• Electric cord damage</li> </ul> </li> <li>2. Belt too loose or tight</li> <li>3. Motor overheated <ul style="list-style-type: none"> <li>• Belt too tight</li> <li>• Blower bearings dry</li> <li>• Motor pulley diameter too large</li> </ul> </li> <li>4. Motor locked</li> </ol>	<ol style="list-style-type: none"> <li>1. Check power <ul style="list-style-type: none"> <li>• Replace fuse</li> <li>• Re-set breaker</li> <li>• Replace cord</li> </ul> </li> <li>2. Adjust belt tension</li> <li>3. Determine cause of overheating <ul style="list-style-type: none"> <li>• Adjust belt tension</li> <li>• Oil blower bearings</li> <li>• Adjust pulley to correct diameter</li> </ul> </li> <li>4. Replace motor</li> </ol>
Inadequate air delivery with cooler running	<ol style="list-style-type: none"> <li>1. Insufficient air exhaust</li> <li>2. Belt too loose</li> <li>3. Pads plugged</li> <li>4. Motor underloaded</li> </ol>	<ol style="list-style-type: none"> <li>1. Open windows or doors to increase air flow</li> <li>2. Adjust belt tension or replace if needed</li> <li>3. Clean pads</li> <li>4. Adjust pulley</li> </ol>
Water draining onto roof	<ol style="list-style-type: none"> <li>1. Float arm not adjusted properly</li> <li>2. Overflow assembly leaking</li> </ol>	<ol style="list-style-type: none"> <li>1. Adjust float</li> <li>2. Tighten nut and overflow pipe</li> </ol>
Musty or unpleasant odor	<ol style="list-style-type: none"> <li>1. Stale or stagnate water in cooler</li> </ol>	<ol style="list-style-type: none"> <li>1. Drain pan and clean pads</li> </ol>

<u>Problem</u>	<u>Possible Cause</u>	<u>Remedy</u>
Motor cycles on and off	<ol style="list-style-type: none"> <li>1. Low voltage</li> <li>2. Excessive belt tension</li> <li>3. Blower shaft tight or locked</li> <li>4. Bearings dry</li> <li>5. Motor pulley diameter too large causing motor overload</li> </ol>	<ol style="list-style-type: none"> <li>1. Check voltage</li> <li>2. Adjust belt tension</li> <li>3. Oil or replace bearings (Unplug unit)</li> <li>4. Oil bearings</li> <li>5. Adjust pulley so full load ampere rating of motor is not exceeded</li> </ol>
Noisy	<ol style="list-style-type: none"> <li>1. Bearings dry</li> <li>2. Wheel rubbing blower housing</li> <li>3. Loose parts</li> </ol>	<ol style="list-style-type: none"> <li>1. Oil bearings</li> <li>2. Inspect and realign (Unplug unit)</li> <li>3. Tighten loose parts</li> </ol>
Inadequate cooling	<ol style="list-style-type: none"> <li>1. Inadequate exhaust in house</li> <li>2. Pads not wet <ul style="list-style-type: none"> <li>• Pads plugged</li> <li>• Dist. tube holes clogged</li> <li>• Pump not working properly</li> </ul> </li> </ol>	<ol style="list-style-type: none"> <li>1. Open windows or doors to increase air flow</li> <li>2. Check water distribution system <ul style="list-style-type: none"> <li>• Clean pads</li> <li>• Clean</li> <li>• Replace or clean pump (Unplug unit)</li> </ul> </li> </ol>
Excessive humidity in house	<ol style="list-style-type: none"> <li>1. Insufficient air exhaust</li> </ol>	<ol style="list-style-type: none"> <li>1. Open doors or windows</li> </ol>

## Limited Warranty

This warranty is extended to the original purchaser of an evaporative cooler installed and used under normal conditions. It does not cover damages incurred through accident, neglect, or abuse by the owner. We do not authorize any person or representative to assume for us any other or different liability in connection with this product.

### Terms And Conditions Of Warranty

Lifetime Limited Coverage on water reservoir against any leakage due to defects in material. From date of purchase, if any original component part provided by Champion Cooler fails due to defect in material or factory workmanship only, we will provide the replacement part as follows:

- One year on the cabinet components.
- Five years on the evaporative media.
- Two years on the original blower motor if furnished by Champion Cooler.

### Exclusions From The Warranty

We are not responsible for any incidental or consequential damage resulting from any malfunction.

We are not responsible for any damage received from the use of water softeners, chemicals, descale material, plastic wrap, or if a motor of a higher horsepower than what is shown on the serial plate is used in the unit.

We are not responsible for the cost of service calls to diagnose cause of trouble, or labor charge to repair and/or replace parts.

### How To Obtain Service Under This Warranty

Contact the Dealer where you purchased the evaporative cooler. If for any reason you are not satisfied with the response from the dealer, contact the Customer Service Department: Champion Cooler, 5800 Murray Street, Little Rock, Arkansas 72209. 1-800-643-8341. E-mail: info@championcooler.com.

**This limited warranty applies to original purchaser only.**

*Register your product online at [www.championcooler.com/eac/online-registration-eac.htm](http://www.championcooler.com/eac/online-registration-eac.htm)*

## General Specifications / Especificaciones Generales

Models Modelos	Weight (lbs.) Peso (libras)		Cabinet Dimensions (in.) Dimensiones De La Caja (pulgadas)			Duct Opening (in.) Abertura De Ducto (pulgadas)	
	*Dry Seco	*Operating Lleno	Height Altura	Width Anchura	Depth Profundidad	Width Anchura	Height Altura
35 Series	120	187	22 9/16	34	40	13 5/8	13 5/8
51 Series	177	227	28	42	45	17 3/4	17 3/4
5112 Series	190	257	28	42	49	17 3/4	17 3/4
71 Series	213	263	34 5/8	42	48	19 3/4	19 3/4
7112 Series	233	300	34 5/8	42	52	19 3/4	19 3/4

\* Includes motor weight. / Incluye el peso del motor.

## Motor Specifications / Especificaciones Del Motor

Models Modelos	HP C.V.	Motor # Motor-N°	Speed Velocidad	Volts Voltios	*Amps Amperaje	Weight (lbs.) Peso (libras)	Motor Pulley # Polea Del Motor-N°	Model Modelo	Drive Belt Part # Correa - N°
35 Series	1/3	110445	2	115	7.2	17	110279-001	ADA35	110209 (4L-430)
	1/2	110447	2	115	9.8	18		ASA35	110207 (4L-460)
	1/2	110475	2	230	4.9	15			
51 & 5112 Series	1/3	110445	2	115	7.2	17	110279-002	ADA51 & ADA5112	110208 (4L-520) 110229 (4L-530) - 3/4 HP
	1/2	110447	2	115	9.8	18	110279-004	ASA51 & ASA5112	110212 (4L-570)
	1/2	110475	2	230	4.9	15	110279-004		
	3/4	110449	2	115	13.8	22	110279-004	AUA51 & AUA5112	110222 (4L-510)
	3/4	110480	2	230	6.9	21	110279-004		
71 & 7112 Series	1/2	110447	2	115	9.8	18	110279-002	ADA71 & ADA7112	110230 (4L-640)
	1/2	110475	2	230	4.9	15	110279-002	ASA71 & ASA7112	110213 (4L-670)
	3/4	110449	2	115	13.8	22	110279-004		
	3/4	110480	2	230	6.9	21	110279-004	AUA71 & AUA7112	110213 (4L-670)
	1	110471	2	115	16	29	110279-003		
	1	110458	2	230	8	29	110279-003		

\*Amperage shown is from National Electrical Code for high speed. / Amperaje listado es del código eléctrico nacional para la velocidad alta.

## Replacement Parts List / *Lista De Piezas De Repuesto*

When ordering parts, please be sure to furnish the following information on all orders. Failure to do so may delay your order. /  
*Al pedir piezas, incluya toda la información siguiente con su pedido. El no proporcionar toda esta información resultará en una demora.*

1. Cooler model number / *El modelo de su enfriador*
2. Cooler serial number / *Número de serie de la unidad*
3. Motor HP / *C.V. del motor*
4. Description and part number / *Descripción y número de pieza*
5. Date of purchase / *Fecha de compra*

No. N°	<u>Description / Descripción</u>	<u>ADA35</u>	<u>ASA35</u>
1.	Top, Blower Section / <i>Tapa De La Sección De La Rueda</i> .....	222130-028	222130-028
2.	Top, Wet Section / <i>Tapa De la Sección De Agua</i> .....	222130-029	222130-029
3.	Cabinet Wrapper, Blower Section / <i>Envoltura De Caja De La Sección De La Rueda</i> .....	322130-230	322130-130
4.	Cabinet Wrapper, Wet Section / <i>Envoltura De Caja De La Sección De Agua</i> .....	222130-032	222130-032
5.	Blower Housing / <i>Caja De La Rueda</i> .....	324106-104	324106-204
6.	Cut-Off Plate / <i>Placa Externa</i> .....	224002-003	224011-001
7.	Blower Wheel / <i>Rueda</i> .....	12BW	12BW
8.	Shaft, Blower Wheel / <i>Eje De La Rueda</i> .....	110182	110182
9.	Pulley, Blower Wheel / <i>Polea De La Rueda</i> .....	110274	110274
10.	Drive Belt / <i>Correa</i> .....	110209	110207
11.	Pulley, Motor / <i>Polea Del Motor</i> .....	110279-001	110279-001
12.	Motor / <i>Motor</i> .....	*	*
13.	Motor Mount Clip Set / <i>Conjunto De Seguros Para Montar Motor</i> .....	314005-001	314005-001
14.	Motor Mount / <i>Montura Del Motor</i> .....	314003-021	314003-020
15.	Electrical Cord, Motor (115V) / <i>Cable Eléctrico Del Motor (115V)</i> .....	110364	110364
15.	Electrical Cord, Motor (230V) / <i>Cable Eléctrico Del Motor (230V)</i> .....	110372-2	110372-2
16.	Bearings, Blower Wheel Shaft / <i>Cojinetes Del Eje De La Rueda</i> .....	110351	110351
17.	Electrical Junction Box / <i>Caja De Empalme</i> .....	322009-001	322009-001
18.	Receptacle, Motor / <i>Toma De Corriente Del Motor</i> .....	110393	110393
19.	Receptacle, Pump / <i>Toma De Corriente De La Bomba</i> .....	110361	110361
20.	Retainer, Bearing Mount / <i>Soporte Para La Montura De Los Cojinetes</i> .....	218002-008	218002-008
21.	Water Distributor Housing / <i>Caja Del Distribuidor De Agua</i> .....	281035	281035
22.	Media Shield (2 req.) / <i>Protector Para El Medio Evaporativo (2 req.)</i> .....	281025-005	281025-005
23.	Water Distributor Assembly / <i>Sistema Del Distribuidor De Agua</i> .....	3D-26	3D-26
24.	Water Distributor Bracket, Right / <i>Soporte Para El Distribuidor De Agua, Derecha</i> .....	222004-005	222004-005
24A.	Water Distributor Bracket, Left / <i>Soporte Para El Distribuidor De Agua, Izquierda</i> .....	222004-003	222004-003
25.	Evaporative Media Set / <i>Conjunto De Medio Evaporativo</i> .....	310103	310103
26.	Support, Media / <i>Soporte Para El Medio Evaporativo</i> .....	222130-027	222130-027
27.	Water Reservoir / <i>Bandeja Acumuladora De Agua</i> .....	281030	281030
28.	Pump Mount / <i>Montura De La Bomba</i> .....	216003-008	216003-008
29.	Pump / <i>Bomba</i> .....	110436	110436
30.	Pump Screen / <i>Malla Para La Bomba</i> .....	281001-001	281001-001
31.	Pump Retainer / <i>Sujetador De La Bomba</i> .....	110714	110714
32.	Float Valve / <i>Flotador</i> .....	FL-C	FL-C
33.	Float Shield / <i>Salpicadero Del Flotador</i> .....	281006	281006
33A.	Float Splash Plate / <i>Placa Para Salpicaduras</i> .....	281025-006	281025-006
34.	Over Flow Assembly / <i>Montaje De Desagüe</i> .....	30A-3	30A-3
35.	Tube, Water Delivery / <i>Tubo De Agua</i> .....	110716	110716
37.	Anti-Flattening Coil / <i>Espiral Protectora</i> .....	110847	110847
38.	Grill / <i>Parrilla</i> .....	224115-001	224115-001
39.	Filter Pad / <i>Filtro De Poliester</i> .....	110119-1	110119-1
40.	Support Bracket / <i>Soporte Del Distribuidor</i> .....	220101-008	220101-008
41.	Top Drain Assembly (2 req.) / <i>Montaje De Desagüe De La Tapa (2 req.)</i> .....	381012-006	381012-006

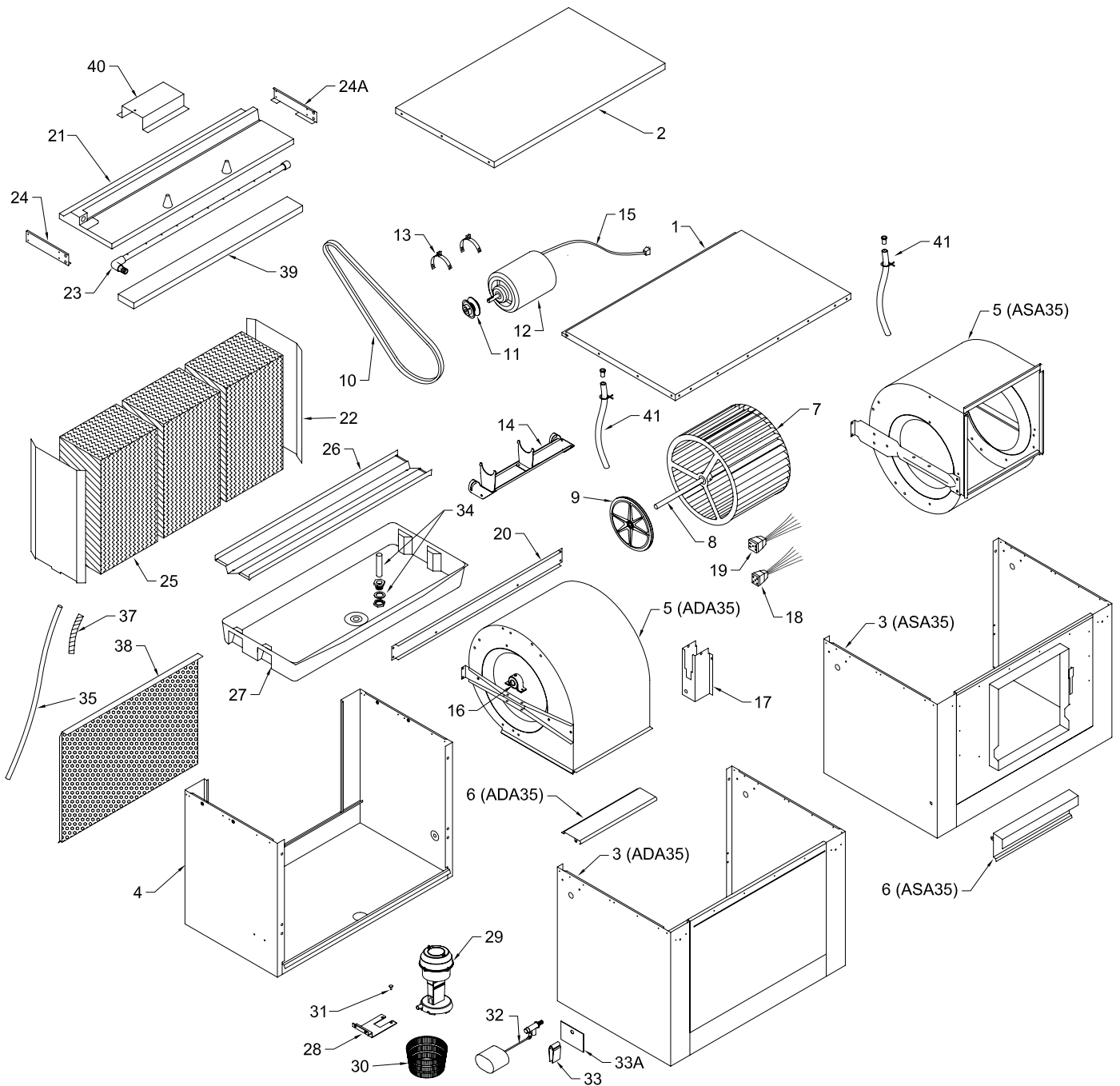
\* See the motor specification table on page 5. / *Vea la tabla de especificaciones del motor en la página 5.*

NOTE: Standard hardware items may be purchased from your local hardware store.

NOTA: Artículos de uso corriente pueden comprarse en la ferretería de su localidad.

# Parts Drawing / Dibujo De Piezas

## ADA35, ASA35



## Replacement Parts List / *Lista De Piezas De Repuesto*

When ordering parts, please be sure to furnish the following information on all orders. Failure to do so may delay your order. /  
*Al pedir piezas, incluya toda la información siguiente con su pedido. El no proporcionar toda esta información resultará en una demora.*

1. Cooler model number / *El modelo de su enfriador*
2. Cooler serial number / *Número de serie de la unidad*
3. Motor HP / *C.V. del motor*
4. Description and part number / *Descripción y número de pieza*
5. Date of purchase / *Fecha de compra*

<b>No.</b>	<b><u>Description / Descripción</u></b>	<b><u>ADA51</u></b>	<b><u>ADA5112</u></b>	<b><u>ADA71</u></b>	<b><u>ADA7112</u></b>
1.	Top, Cabinet / <i>Tapa De La Caja</i> .....	222130-070	222130-070	222140-053	222140-053
2.	Top Access Panel / <i>Panel Superior De Acceso</i> .....	222130-074	222130-075	222130-074	222130-075
3.	Bottom, Blower Section / <i>Base De La Sección De La Rueda</i> .....	322130-068	322130-068	322140-051	322140-051
4.	Bottom, Wet Module / <i>Base De La Sección De Agua</i> .....	222130-072	222130-073	222130-072	222130-073
5.	Front Panel / <i>Panel Del Frente</i> .....	222130-076	222130-076	222140-055	222140-055
6.	Inspection Panel (2 req.) / <i>Panel De Inspección (2 req.)</i> .....	224130-002	224130-002	224140-002	224140-002
7.	Center Post, Right / <i>Poste Central, Derecho</i> .....	222130-062	222130-062	222140-045	222140-045
8.	Center Post, Left / <i>Poste Central, Izquierdo</i> .....	222130-063	222130-063	222140-046	222140-046
9.	Back Post, Right / <i>Poste Trasero, Derecho</i> .....	222130-064	222130-066	222140-047	222140-049
10.	Back Post, Left / <i>Poste Trasero, Izquierdo</i> .....	222130-065	222130-067	222140-048	222140-050
11.	Blower Housing / <i>Caja De La Rueda</i> .....	324130-202	324130-202	324140-202	324140-202
12.	Cut-Off Plate / <i>Placa Externa</i> .....	224003-015	224003-015	224004-003	224004-003
13.	Blower Housing Supports (2 req.) / <i>Soporte Para La Caja De La Rueda (2 req.)</i> ..	218001-034	218001-034	218001-037	218001-037
14.	Grill / <i>Parrilla</i> .....	222130-078	222130-078	222140-057	222140-057
15.	Electrical Junction Box / <i>Caja De Empalme</i> .....	322009-001	322009-001	322009-001	322009-001
16.	Motor Mount / <i>Montura Del Motor</i> .....	314003-011	314003-011	314003-012	314003-012
17.	Motor Mount Clip Set / <i>Conjunto De Seguros Para Montar Motor</i> .....	314005-001	314005-001	314005-001	314005-001
18.	Motor / <i>Motor</i> .....	*	*	*	*
19.	Pulley, Motor / <i>Polea Del Motor</i> .....	*	*	*	*
20.	Electrical Cord, Motor (115V) / <i>Cable Eléctrico Del Motor (115V)</i> .....	110372	110372	110372	110372
20.	Electrical Cord, Motor (230V) / <i>Cable Eléctrico Del Motor (230V)</i> .....	110372-2	110372-2	110372-2	110372-2
21.	Shaft, Blower Wheel / <i>Eje De La Rueda</i> .....	110183	110183	110183	110183
22.	Blower Wheel / <i>Rueda</i> .....	16BW	16BW	20BW	20BW
23.	Pulley, Blower Wheel / <i>Polea De La Rueda</i> .....	110275	110275	110276	110276
24.	Drive Belt / <i>Correa</i> .....	*	*	*	*
25.	Bearings, Blower Wheel Shaft / <i>Cojinetes Del Eje De La Rueda</i> .....	110351	110351	110351	110351
26.	Receptacle, Motor / <i>Toma De Corriente Del Motor</i> .....	110393	110393	110393	110393
27.	Receptacle, Pump / <i>Toma De Corriente De La Bomba</i> .....	110361	110361	110361	110361
28.	Media Shield Right / <i>Protector Para El Medio Evaporativo, Derecho</i> .....	281043-002	281045-002	281044-002	281046-002
29.	Media Shield Left / <i>Protector Para El Medio Evaporativo, Izquierdo</i> .....	281043-001	281045-001	281044-001	281046-001
30.	Water Distributor Housing / <i>Caja Del Distribuidor De Agua</i> .....	281038-001	281033-001	281038-001	281033-001
31.	Water Distributor Tube / <i>Tubo Del Distribuidor De Agua</i> .....	3D-23	3D-23	3D-23	3D-23
32.	Evaporative Media Set / <i>Conjunto De Medio Evaporativo</i> .....	310117-001	310118-001	310117-002	310118-002
33.	Distributor Filter Pad / <i>Filtro Del Distribuidor</i> .....	110120	110120	110120	110120
34.	Water Reservoir / <i>Bandeja Acumuladora De Agua</i> .....	281041-001	281042-001	281041-001	281042-001
35.	Tube, Water Delivery / <i>Tubo De Agua</i> .....	310716	310716	310716	310716
36.	Over Flow Assembly / <i>Montaje De Desagüe</i> .....	30A-1	30A-1	30A-1	30A-1
37.	Float Valve / <i>Flotador</i> .....	FL-C	FL-C	FL-C	FL-C
38.	Float Shield / <i>Salpicadero Del Flotador</i> .....	281006	281006	281006	281006
39.	Pump / <i>Bomba</i> .....	110436	110436	110436	110436
40.	Pump Screen / <i>Malla Para La Bomba</i> .....	281001-001	281001-001	281001-001	281001-001
41.	Pump Mount / <i>Montura De La Bomba</i> .....	218002-012	218002-012	218002-012	218002-012
42.	Pump Retainer / <i>Sujetador De La Bomba</i> .....	110714	110714	110714	110714
43.	Anti-Flattening Coil / <i>Espiral Protectora</i> .....	110847	110847	110847	110847
44.	Bleed-Off Kit / <i>Equipo De Purga</i> .....	310586	310586	310586	310586

\* See the motor specification table on page 5. / *Vea la tabla de especificaciones del motor en la página 5.*

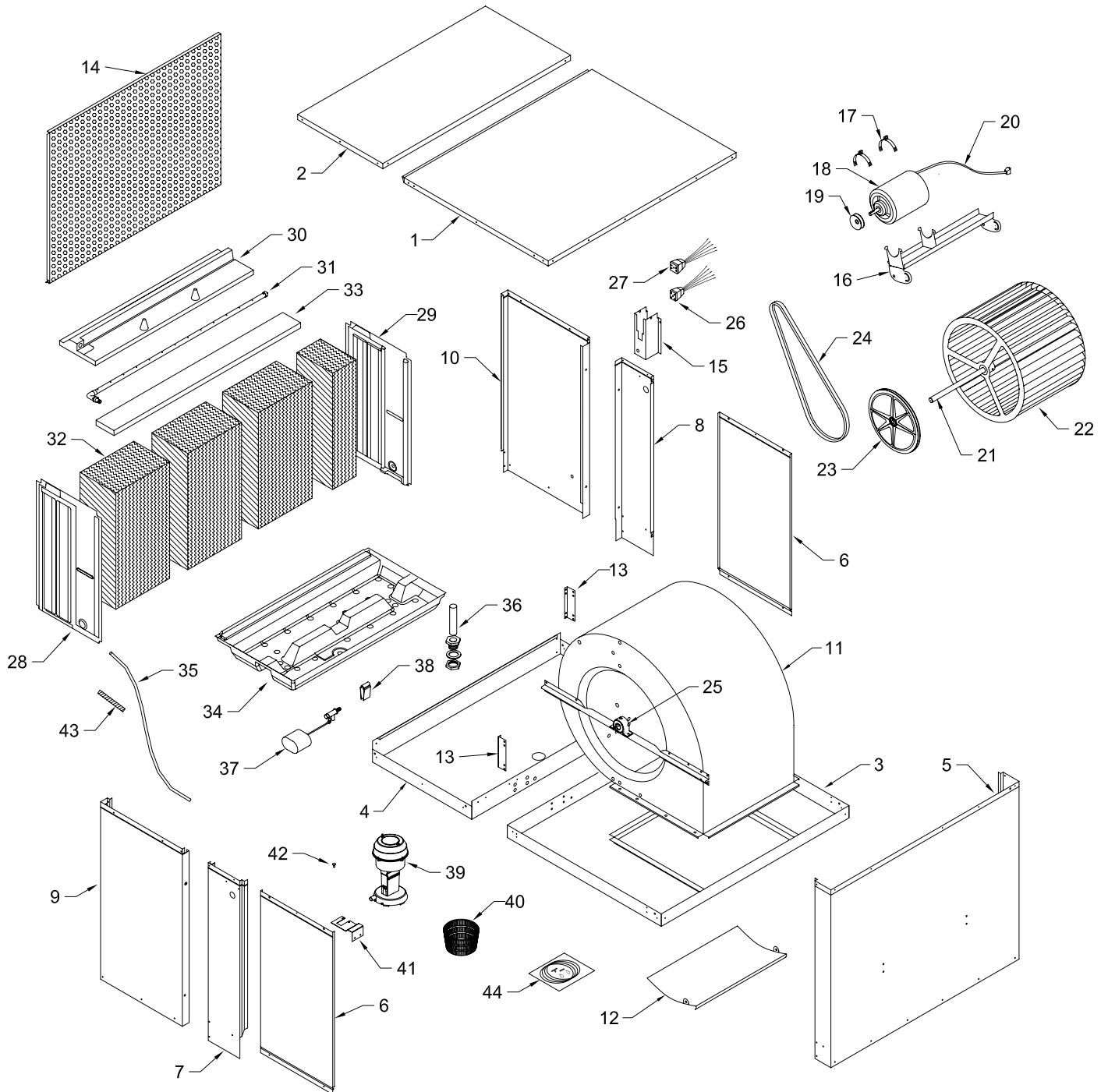
NOTE: Standard hardware items may be purchased from your local hardware store.

NOTA: Artículos de uso corriente pueden comprarse en la ferretería de su localidad.

# Parts Drawing / Dibujo De Piezas

ADA51 / ADA5112

ADA71 / ADA7112



## Replacement Parts List / *Lista De Piezas De Repuesto*

When ordering parts, please be sure to furnish the following information on all orders. Failure to do so may delay your order. /  
*Al pedir piezas, incluya toda la información siguiente con su pedido. El no proporcionar toda esta información resultará en una demora.*

1. Cooler model number / *El modelo de su enfriador*
2. Cooler serial number / *Número de serie de la unidad*
3. Motor HP / *C.V. del motor*
4. Description and part number / *Descripción y número de pieza*
5. Date of purchase / *Fecha de compra*

<b>No.</b>	<b><u>Description / Descripción</u></b>	<b><u>ASA51</u></b>	<b><u>ASA5112</u></b>	<b><u>ASA71</u></b>	<b><u>ASA7112</u></b>
1.	Top, Cabinet / <i>Tapa De La Caja</i> .....	222130-070	222130-070	222140-053	222140-053
2.	Top Access Panel / <i>Panel Superior De Acceso</i> .....	222130-074	222130-075	222130-074	222130-075
3.	Bottom, Blower Section / <i>Base De La Sección De La Rueda</i> .....	322130-069	322130-069	322140-052	322140-052
4.	Bottom, Wet Module / <i>Base De La Sección De Agua</i> .....	222130-072	222130-073	222130-072	222130-073
5.	Front Panel / <i>Panel Del Frente</i> .....	322130-077	322130-077	322140-056	322140-056
6.	Inspection Panel (2 req.) / <i>Panel De Inspección (2 req.)</i> .....	224130-002	224130-002	224140-002	224140-002
7.	Center Post, Right / <i>Poste Central, Derecho</i> .....	222130-062	222130-062	222140-045	222140-045
8.	Center Post, Left / <i>Poste Central, Izquierdo</i> .....	222130-063	222130-063	222140-046	222140-046
9.	Back Post, Right / <i>Poste Trasero, Derecho</i> .....	222130-064	222130-066	222140-047	222140-049
10.	Back Post, Left / <i>Poste Trasero, Izquierdo</i> .....	222130-065	222130-067	222140-048	222140-050
11.	Blower Housing / <i>Caja De La Rueda</i> .....	324130-203	324130-203	324140-203	324140-203
12.	Cut-Off Plate / <i>Placa Externa</i> .....	224003-015	224003-015	224004-003	224004-003
13a.	Blower Housing Support, Right / <i>Soporte Para La Caja De La Rueda, Derecho</i> .....	218001-035	218001-035	218001-038	218001-038
13b.	Blower Housing Support, Left / <i>Soporte Para La Caja De La Rueda, Izquierdo</i> ..	218001-036	218001-036	218001-038	218001-038
14.	Grill / <i>Parrilla</i> .....	222130-078	222130-078	222140-057	222140-057
15.	Electrical Junction Box / <i>Caja De Empalme</i> .....	322009-001	322009-001	322009-001	322009-001
16.	Motor Mount / <i>Montura Del Motor</i> .....	314003-011	314003-011	314003-012	314003-012
17.	Motor Mount Clip Set / <i>Conjunto De Seguros Para Montar Motor</i> .....	314005-001	314005-001	314005-001	314005-001
18.	Motor / <i>Motor</i> .....	*	*	*	*
19.	Pulley, Motor / <i>Polea Del Motor</i> .....	*	*	*	*
20.	Electrical Cord, Motor (115V) / <i>Cable Eléctrico Del Motor (115V)</i> .....	110372	110372	110372	110372
20.	Electrical Cord, Motor (230V) / <i>Cable Eléctrico Del Motor (230V)</i> .....	110372-2	110372-2	110372-2	110372-2
21.	Shaft, Blower Wheel / <i>Eje De La Rueda</i> .....	110183	110183	110183	110183
22.	Blower Wheel / <i>Rueda</i> .....	16BW	16BW	20BW	20BW
23.	Pulley, Blower Wheel / <i>Polea De La Rueda</i> .....	110275	110275	110276	110276
24.	Drive Belt / <i>Correa</i> .....	*	*	*	*
25.	Bearings, Blower Wheel Shaft / <i>Cojinetes Del Eje De La Rueda</i> .....	110351	110351	110351	110351
26.	Receptacle, Motor / <i>Toma De Corriente Del Motor</i> .....	110393	110393	110393	110393
27.	Receptacle, Pump / <i>Toma De Corriente De La Bomba</i> .....	110361	110361	110361	110361
28.	Media Shield, Right / <i>Protector Para El Medio Evaporativo, Derecho</i> .....	281043-002	281045-002	281044-002	281046-002
29.	Media Shield, Left / <i>Protector Para El Medio Evaporativo, Izquierdo</i> .....	281043-001	281045-001	281044-001	281046-001
30.	Water Distributor Housing / <i>Caja Del Distribuidor De Agua</i> .....	281038-001	281033-001	281038-001	281033-001
31.	Water Distributor Tube / <i>Tubo Del Distribuidor De Agua</i> .....	3D-23	3D-23	3D-23	3D-23
32.	Evaporative Media Set / <i>Conjunto De Medio Evaporativo</i> .....	310117-001	310118-001	310117-002	310118-002
33.	Distributor Filter Pad / <i>Filtro Del Distribuidor</i> .....	110120	110120	110120	110120
34.	Water Reservoir / <i>Bandeja Acumuladora De Agua</i> .....	281041-001	281042-001	281041-001	281042-001
35.	Tube, Water Delivery / <i>Tubo De Agua</i> .....	310716	310716	310716	310716
36.	Over Flow Assembly / <i>Montaje De Desagüe</i> .....	30A-1	30A-1	30A-1	30A-1
37.	Float Valve / <i>Flotador</i> .....	FL-C	FL-C	FL-C	FL-C
38.	Float Shield / <i>Salpicadero Del Flotador</i> .....	281006	281006	281006	281006
39.	Pump / <i>Bomba</i> .....	110436	110436	110436	110436
40.	Pump Screen / <i>Malla Para La Bomba</i> .....	281001-001	281001-001	281001-001	281001-001
41.	Pump Mount / <i>Montura De La Bomba</i> .....	218002-012	218002-012	218002-012	218002-012
42.	Pump Retainer / <i>Sujetador De La Bomba</i> .....	110714	110714	110714	110714
43.	Anti-Flattening Coil / <i>Espiral Protectora</i> .....	110847	110847	110847	110847
44.	Bleed-Off Kit / <i>Equipo De Purga</i> .....	310586	310586	310586	310586

\* See the motor specification table on page 5. / *Vea la tabla de especificaciones del motor en la página 5.*

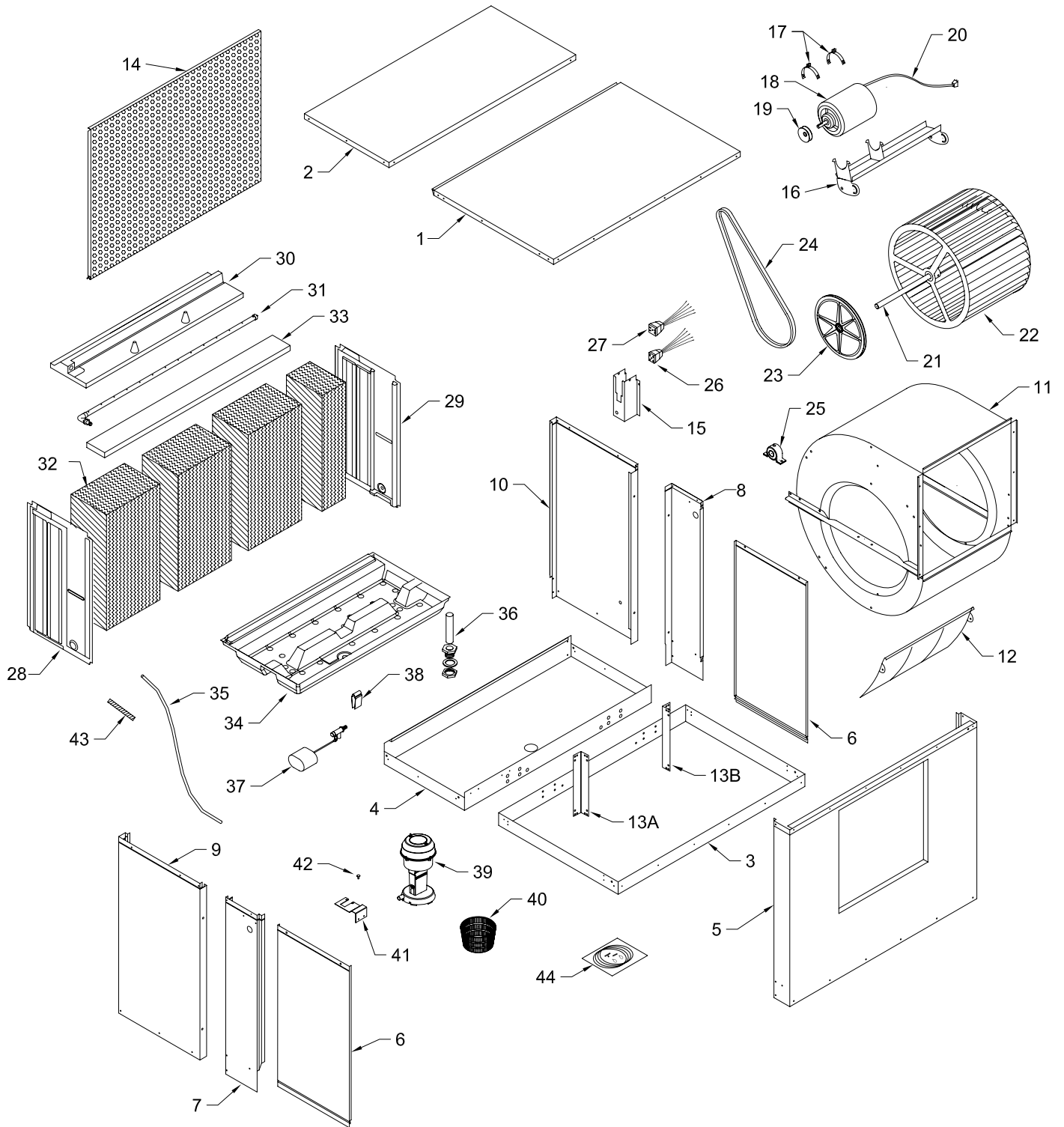
NOTE: Standard hardware items may be purchased from your local hardware store.

NOTA: Artículos de uso corriente pueden comprarse en la ferretería de su localidad.

# Parts Drawing / Dibujo De Piezas

ASA51 / ASA5112

ASA71 / ASA7112



## Replacement Parts List / *Lista De Piezas De Repuesto*

When ordering parts, please be sure to furnish the following information on all orders. Failure to do so may delay your order. /  
*Al pedir piezas, incluya toda la información siguiente con su pedido. El no proporcionar toda esta información resultará en una demora.*

1. Cooler model number / *El modelo de su enfriador*
2. Cooler serial number / *Número de serie de la unidad*
3. Motor HP / *C.V. del motor*
4. Description and part number / *Descripción y número de pieza*
5. Date of purchase / *Fecha de compra*

No. <u>N°</u>	<u>Description / Descripción</u>	<u>AUA51</u>	<u>AUA5112</u>	<u>AUA71</u>	<u>AUA7112</u>
1.	Top, Cabinet / <i>Tapa De La Caja</i> .....	322130-071	322130-071	322140-054	322140-054
2.	Top Access Panel / <i>Panel Superior De Acceso</i> .....	222130-074	222130-075	222130-074	222130-075
3.	Bottom, Blower Section / <i>Base De La Sección De La Rueda</i> .....	322130-069	322130-069	322140-052	322140-052
4.	Bottom, Wet Module / <i>Base De La Sección De Agua</i> .....	222130-072	222130-073	222130-072	222130-073
5.	Front Panel / <i>Panel Del Frente</i> .....	222130-079	222130-079	222140-058	222140-058
6.	Inspection Panel (2 req.) / <i>Panel De Inspección (2 req.)</i> .....	224130-002	224130-002	224140-002	224140-002
7.	Center Post, Right / <i>Poste Central, Derecho</i> .....	222130-062	222130-062	222140-045	222140-045
8.	Center Post, Left / <i>Poste Central, Izquierdo</i> .....	222130-063	222130-063	222140-046	222140-046
9.	Back Post, Right / <i>Poste Trasero, Derecho</i> .....	222130-064	222130-066	222140-047	222140-049
10.	Back Post, Left / <i>Poste Trasero, Izquierdo</i> .....	222130-065	222130-067	222140-048	222140-050
11.	Blower Housing / <i>Caja De La Rueda</i> .....	324130-204	324130-204	324140-204	324140-204
12.	Cut-Off Plate / <i>Placa Externa</i> .....	224003-015	224003-015	224004-003	224004-003
13.	Blower Support Bracket (2 req.) / <i>Soporte Para La Caja De La Rueda (2 req.)</i> .....	218123-001	218123-001	218001-038	218001-038
14.	Grill / <i>Parrilla</i> .....	222130-078	222130-078	222140-057	222140-057
15.	Electrical Junction Box / <i>Caja De Empalme</i> .....	322009-001	322009-001	322009-001	322009-001
16.	Motor Mount / <i>Montura Del Motor</i> .....	314003-011	314003-011	314003-012	314003-012
17.	Motor Mount Clip Set / <i>Conjunto De Seguros Para Montar Motor</i> .....	314005-001	314005-001	314005-001	314005-001
18.	Motor / <i>Motor</i> .....	*	*	*	*
19.	Pulley, Motor / <i>Polea Del Motor</i> .....	*	*	*	*
20.	Electrical Cord, Motor (115V) / <i>Cable Eléctrico Del Motor (115V)</i> .....	110372	110372	110372-1	110372-1
20.	Electrical Cord, Motor (230V) / <i>Cable Eléctrico Del Motor (230V)</i> .....	110372-2	110372-2	110372-2	110372-2
21.	Shaft, Blower Wheel / <i>Eje De La Rueda</i> .....	110183	110183	110183	110183
22.	Blower Wheel / <i>Rueda</i> .....	16BW	16BW	20BW	20BW
23.	Pulley, Blower Wheel / <i>Polea De La Rueda</i> .....	110275	110275	110276	110276
24.	Drive Belt / <i>Correa</i> .....	*	*	*	*
25.	Bearings, Blower Wheel Shaft / <i>Cojinetes Del Eje De La Rueda</i> .....	110351	110351	110351	110351
26.	Receptacle, Motor / <i>Toma De Corriente Del Motor</i> .....	110393	110393	110393	110393
27.	Receptacle, Pump / <i>Toma De Corriente De La Bomba</i> .....	110361	110361	110361	110361
28.	Media Shield, Right / <i>Protector Para El Medio Evaporativo, Derecho</i> .....	281043-002	281045-002	281044-002	281046-002
29.	Media Shield, Left / <i>Protector Para El Medio Evaporativo, Izquierdo</i> .....	281043-001	281045-001	281044-001	281046-001
30.	Water Distributor Housing / <i>Caja Del Distribuidor De Agua</i> .....	281038-001	281033-001	281038-001	281033-001
31.	Water Distributor Tube / <i>Tubo Del Distribuidor De Agua</i> .....	3D-23	3D-23	3D-23	3D-23
32.	Evaporative Media Set / <i>Conjunto De Medio Evaporativo</i> .....	310117-001	310118-001	310117-002	310118-002
33.	Distributor Filter Pad / <i>Filtro Del Distribuidor</i> .....	110120	110120	110120	110120
34.	Water Reservoir / <i>Bandeja Acumuladora De Agua</i> .....	281041-001	281042-001	281041-001	281042-001
35.	Tube, Water Delivery / <i>Tubo De Agua</i> .....	310716	310716	310716	310716
36.	Over Flow Assembly / <i>Montaje De Desagüe</i> .....	30A-1	30A-1	30A-1	30A-1
37.	Float Valve / <i>Flotador</i> .....	FL-C	FL-C	FL-C	FL-C
38.	Float Shield / <i>Salpicadero Del Flotador</i> .....	281006	281006	281006	281006
39.	Pump / <i>Bomba</i> .....	110436	110436	110436	110436
40.	Pump Screen / <i>Malla Para La Bomba</i> .....	281001-001	281001-001	281001-001	281001-001
41.	Pump Mount / <i>Montura De La Bomba</i> .....	218002-012	218002-012	218002-012	218002-012
42.	Pump Retainer / <i>Sujetador De La Bomba</i> .....	110714	110714	110714	110714
43.	Anti-Flattening Coil / <i>Espiral Protectora</i> .....	110847	110847	110847	110847
44.	Bleed-Off Kit / <i>Equipo De Purga</i> .....	310586	310586	310586	310586

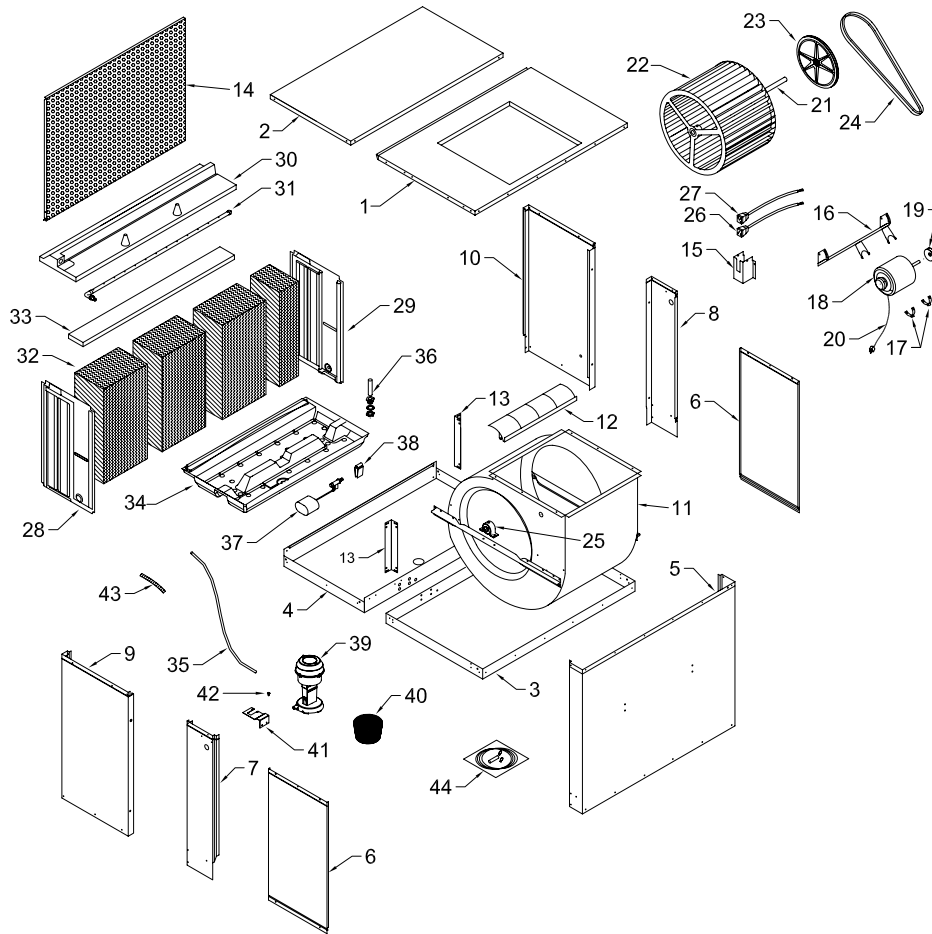
\* See the motor specification table on page 5. / *Vea la tabla de especificaciones del motor en la página 5.*

NOTE: Standard hardware items may be purchased from your local hardware store.

NOTA: Artículos de uso corriente pueden comprarse en la ferretería de su localidad.

## Parts Drawing / Dibujo De Piezas

AUA51, AUA5112, AUA71, AUA7112



### Lea Y Conserve Estas Instrucciones

#### Reglas De Seguridad

1. Lea las instrucciones con cuidado.
2. Las conexiones eléctricas deben ser hechas por un electricista competente, para que todo el cableado eléctrico cumpla con los requisitos establecidos en su localidad.
3. Siempre **CORTE LA CORRIENTE** y **DESCONECTE** el motor y la bomba en el interior del aparato antes de instalar o realizar cualquier labor de mantenimiento.
4. Su enfriador funciona con corriente alterna de 120V o 240V, de una fase y 60 Hz. (ciclos).
5. El motor y la bomba están provistos de clavijas moldeadas, con toma de tierra, y se apagarán automáticamente en caso de sobrecalentamiento. Los motores volverán a funcionar cuando se enfrían.

**⚠️ ADVERTENCIA:** Para reducir el riesgo de incendio o toques eléctricos, no use este ventilador con ningún "dispositivo de estado sólido para controlar la velocidad del ventilador."

#### Enfriamiento Por Evaporación

Este enfriador evaporativo funciona circulando el aire fresco; Usted no tiene aire recirculado que esté viciado, cargado de humo y olores como ocurre con los sistemas de aire acondicionado a base de refrigeración. En cambio, se reemplaza el aire completamente cada 2 a 4 minutos, abriendo las puertas o las ventanas o una combinación de ambas para agotar el aire continuamente.

### Operación

Para que no salga aire caliente al principio, prenda sólo la bomba durante unos cuantos minutos; luego prenda también el motor del ventilador.

Su unidad puede ser utilizada sin agua para proporcionar ventilación solamente. Cuando hace fresco (por ejemplo, de noche) o cuando la humedad es alta, la bomba de agua puede ser apagada.

La unidad puede ser instalada también con termostato y reguladores de escape en el ático para obtener un funcionamiento totalmente automático.

#### ¿Cuanto Debe Abrir Las Ventanas?

Un concepto a menudo entendido mal de enfriamiento por evaporación es la cantidad de aire que debe ser agotada. Cuánto debe usted abrir sus ventanas? El hecho es que la mayoría de la gente no abre sus ventanas bastante. Los dos métodos siguientes le ayudarán.

##### El Método Primero

Usted debe dejar una abertura de dos pies cuadrados por cada 1000 P.C.M. (pies cúbicos por minuto), según la capacidad de su modelo. **Ejemplo:** Un Modelo ADA 51 (1/2 c.v.) de 3320 P.C.M. requiere 6.6 pies cuadrados (950 pulgadas cuadradas) de abertura ( $3320/1000 * 2 = 6.6$ ). Ahora, multiplique el número de las ventanas por el ancho de las mismas; luego divida esta cantidad entre el número de pulgadas cuadradas requeridas para su unidad. El resultado le dice hasta qué altura hay que abrir las ventanas. En este ejemplo, cuatro ventanas que miden 36 pulgadas (0,9 m) de ancha se deben abrir 6.6 pulgadas por cada una.