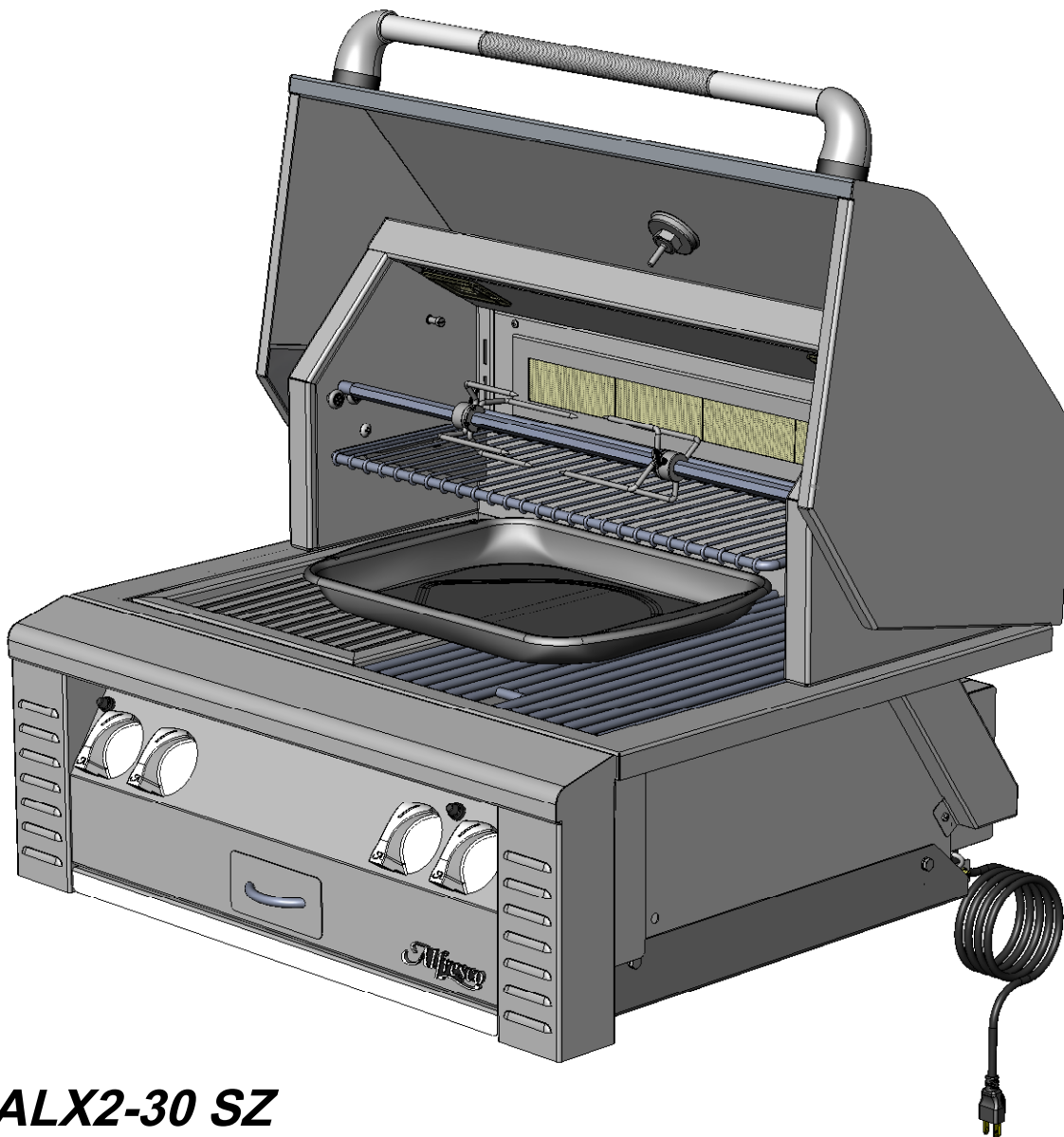


# Alfresco™

Open Air Culinary Systems

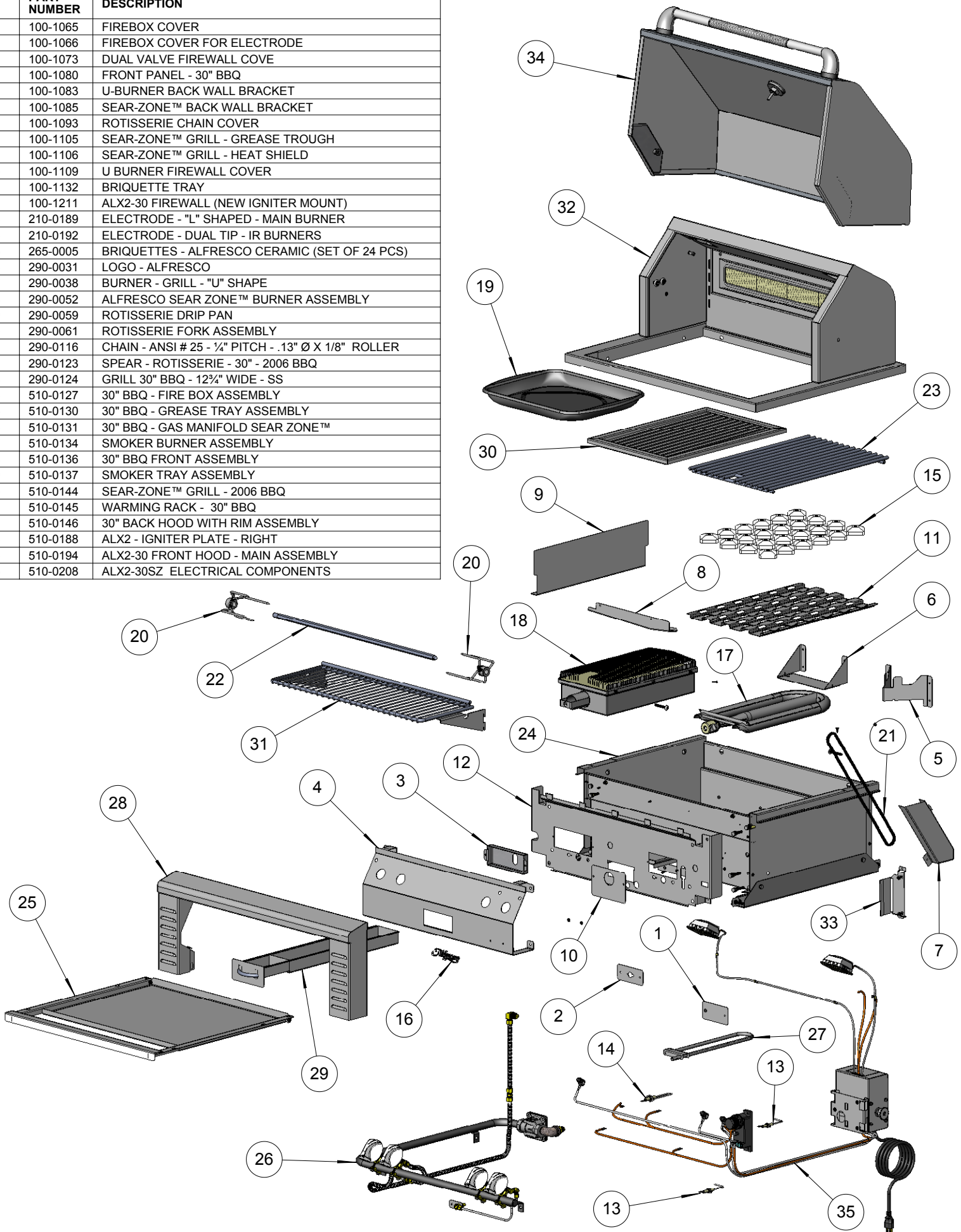


**ALX2-30 SZ**

**BUILT-IN 30" BBQ GRILL WITH SEAR-ZONE™**

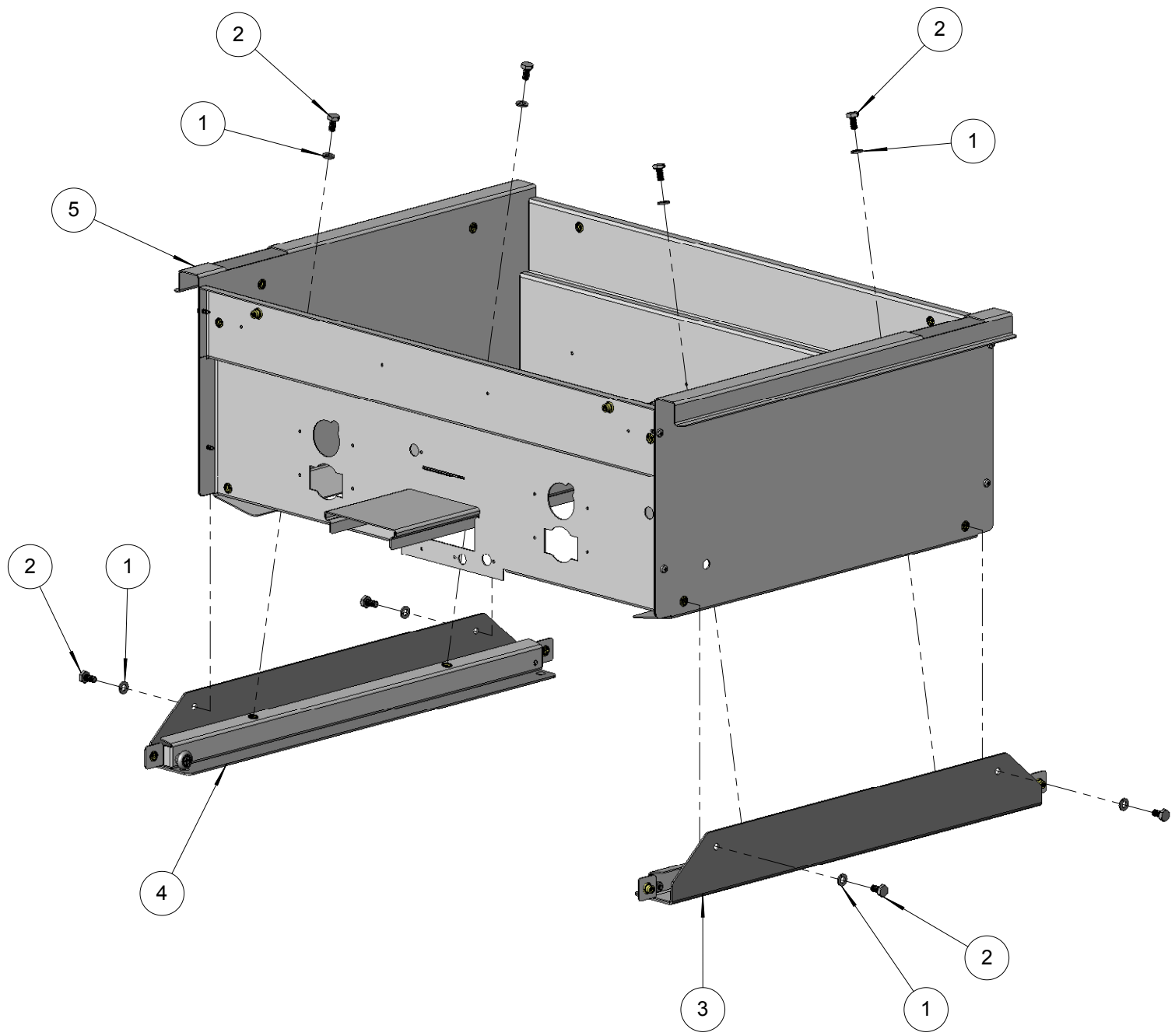
**INTEGRATED ROTISSERIE MOTOR AND LIGHTS**

NO.	PART NUMBER	DESCRIPTION
1	100-1065	FIREBOX COVER
2	100-1066	FIREBOX COVER FOR ELECTRODE
3	100-1073	DUAL VALVE FIREWALL COVE
4	100-1080	FRONT PANEL - 30" BBQ
5	100-1083	U-BURNER BACK WALL BRACKET
6	100-1085	SEAR-ZONE™ BACK WALL BRACKET
7	100-1093	ROTISSERIE CHAIN COVER
8	100-1105	SEAR-ZONE™ GRILL - GREASE TROUGH
9	100-1106	SEAR-ZONE™ GRILL - HEAT SHIELD
10	100-1109	U BURNER FIREWALL COVER
11	100-1132	BRIQUETTE TRAY
12	100-1211	ALX2-30 FIREWALL (NEW IGNITER MOUNT)
13	210-0189	ELECTRODE - "L" SHAPED - MAIN BURNER
14	210-0192	ELECTRODE - DUAL TIP - IR BURNERS
15	265-0005	BRIQUETTES - ALFRESCO CERAMIC (SET OF 24 PCS)
16	290-0031	LOGO - ALFRESCO
17	290-0038	BURNER - GRILL - "U" SHAPE
18	290-0052	ALFRESCO SEAR ZONE™ BURNER ASSEMBLY
19	290-0059	ROTISSERIE DRIP PAN
20	290-0061	ROTISSERIE FORK ASSEMBLY
21	290-0116	CHAIN - ANSI # 25 - 1/4" PITCH - .13" Ø X 1/8" ROLLER
22	290-0123	SPEAR - ROTISSERIE - 30" - 2006 BBQ
23	290-0124	GRILL 30" BBQ - 12 3/4" WIDE - SS
24	510-0127	30" BBQ - FIRE BOX ASSEMBLY
25	510-0130	30" BBQ - GREASE TRAY ASSEMBLY
26	510-0131	30" BBQ - GAS MANIFOLD SEAR ZONE™
27	510-0134	SMOKER BURNER ASSEMBLY
28	510-0136	30" BBQ FRONT ASSEMBLY
29	510-0137	SMOKER TRAY ASSEMBLY
30	510-0144	SEAR-ZONE™ GRILL - 2006 BBQ
31	510-0145	WARMING RACK - 30" BBQ
32	510-0146	30" BACK HOOD WITH RIM ASSEMBLY
33	510-0188	ALX2 - IGNITER PLATE - RIGHT
34	510-0194	ALX2-30 FRONT HOOD - MAIN ASSEMBLY
35	510-0208	ALX2-30SZ ELECTRICAL COMPONENTS



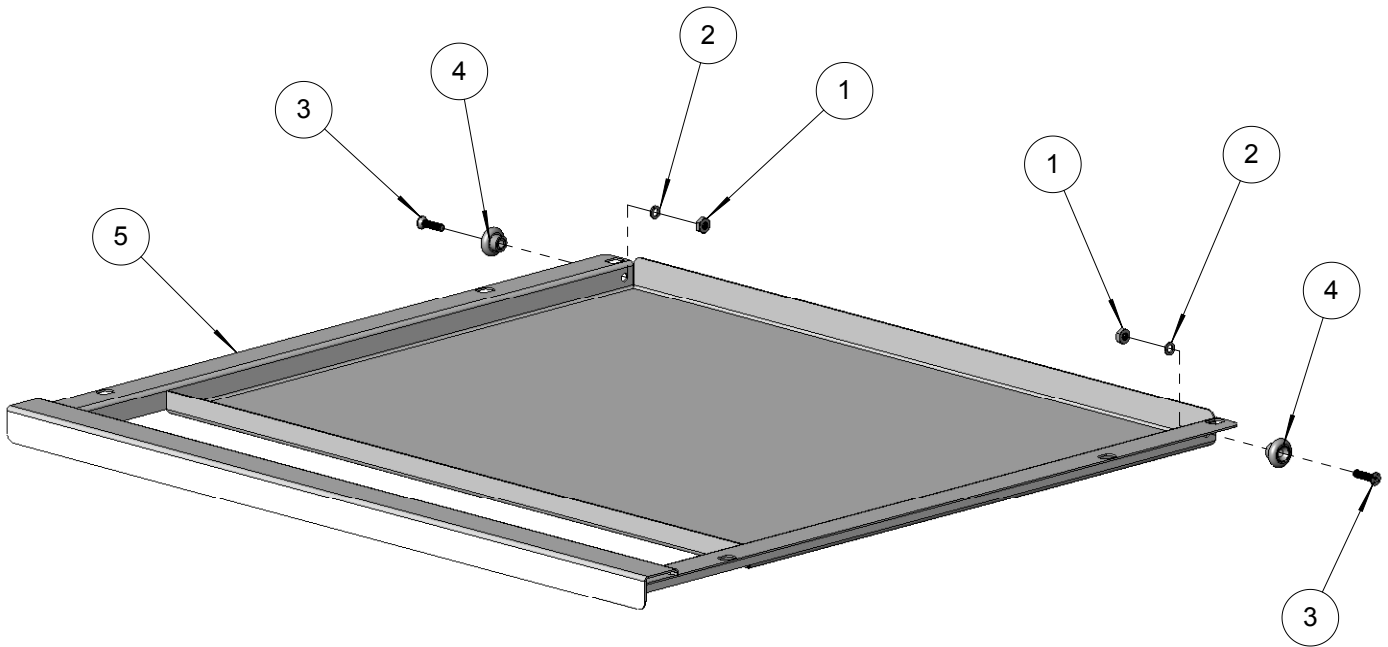
**BILL OF MATERIAL**

NO.	PART NUMBER	DESCRIPTION	QTY.
1	200-0087	1/4" LOCK WASHER	8
2	200-0089	1/4-20 X 1/2 - HEX HEAD BOLT	8
3	510-0128	BBQ TRAY SUPPORT ASSY - RIGHT SIDE	1
4	510-0129	BBQ TRAY SUPPORT ASSY - LEFT SIDE	1
5	510-0205	ALX2-30 FIREBOX - WELDED PARTS	1



**BILL OF MATERIAL**

NO.	PART NUMBER	DESCRIPTION	QTY.
1	200-0073	10-32 - HEX NUT	2
2	200-0075	# 10 LOCK WASHER	2
3	200-0148	SCREW 10-32 X 3/4" - FLAT HEAD - PHILIPS - 82° - SS	2
4	290-0119	ROLLER WHEEL - STAINLESS STL - 3/4" Ø -	2
5	510-0206	ALX2-30 GREASE TRAY - WELDED PARTS	1

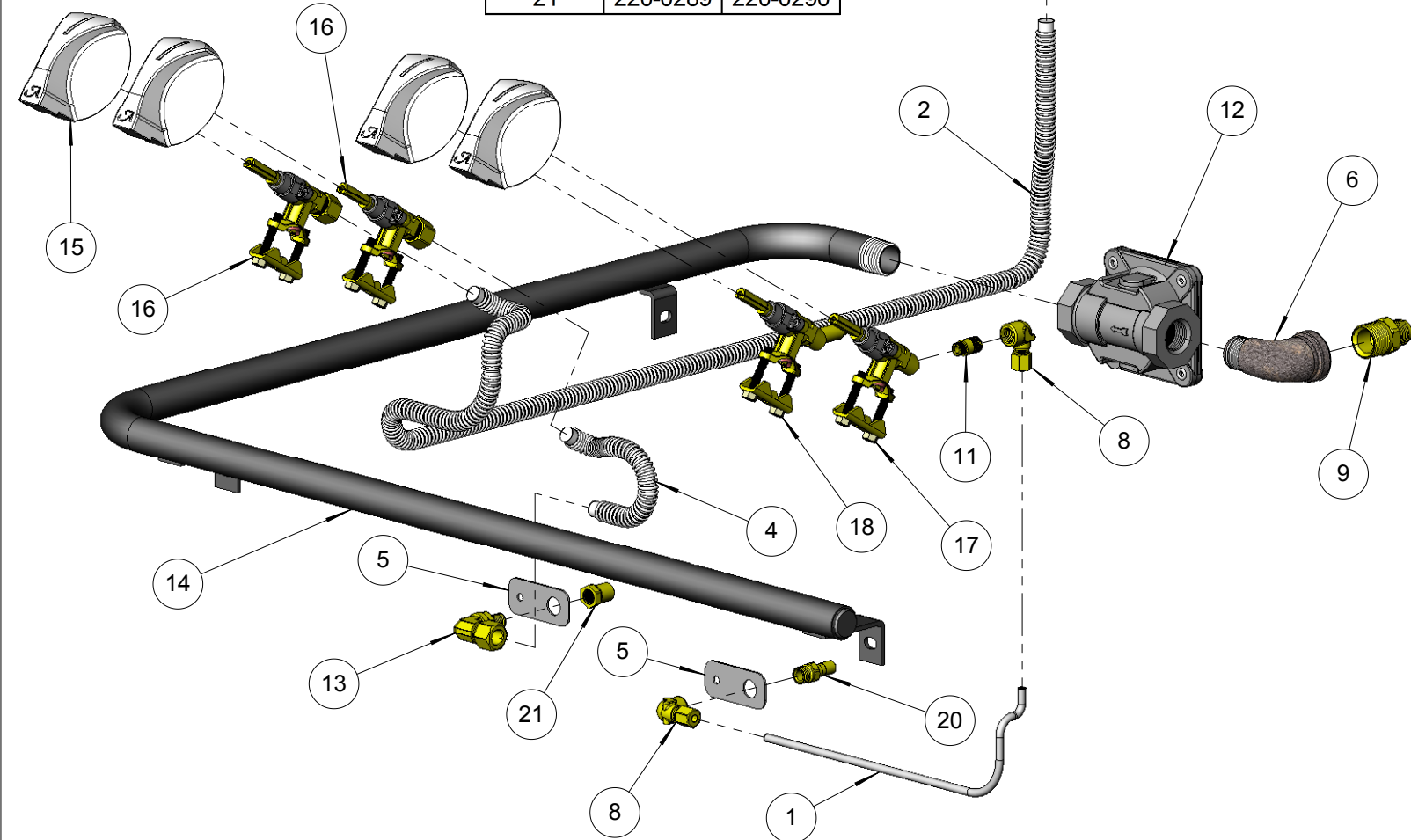


**BILL OF MATERIAL**

NO.	PART NUMBER	DESCRIPTION	QTY.
1	100-0913	30" & 56" BFG BBQ SMOKER GAS LINE	1
2	100-0914	ROTISSERIE GAS LINE (42"L x 3/8" Ø - SS. FLEX TUBE)	1
3	100-0917	ROTISSERIE GAS LINE EXTENSION - 3/8"Ø X 8" - SS	1
4	100-0917	SEAR ZONE™ GAS LINE (8"L x 3/8" Ø - SS. FLEX TUBE)	1
5	100-1067	SMOKER & SZ™ ORIFICE BRACKET	2
6	200-0274	ELBOW 90°- CAST IRON - 1/2" FPT x 1/2" MPT	1
7	220-0151	COUPLING 3/8" x 3/8" - COMPRESSION - BRASS	1
8	220-0273	ELBOW 90° - 1/8" FPT x 3/16" COMP	2
9	220-0275	NIPPLE - 1/2" MPT X 3/8" MPT	1
10	220-0276	ELBOW 3/8" MPT x 1/8" FPT x 3/8" COMP	1
11	220-0277	NIPPLE 1/8"MPT x 1/16"MPT	1
12	220-0280	REGULATOR GAS - MAXITROL RV48CL440002	1
13	220-0293	ELBOW 1/4" FPT x 3/8" COMP	1
14	220-0321	MANIFOLD - 30" BBQ - 2006 MODEL	1
15	290-0030	KNOB BBQ - ALFRESCO "A" LETTER	4
16	290-0041	GAS VALVE - STRAIGHT - WITHOUT ORIFICES	2
17	290-0066	GAS VALVE - ANGLED - ORIFICE: INT= 0.95 mm / EXT=NONE	1
18	SEE NOTE	GAS VALVE - ANGLED WITH ORIFICE >>> SEE NOTE	1
19	SEE NOTE	ORIFICE - IR ROTISSERIE UNIT >>> SEE NOTE	1
20	SEE NOTE	ORIFICE - SMOKER UNIT >>> SEE NOTE	1
21	SEE NOTE	ORIFICE - SEAR ZONE™ >>> SEE NOTE	1

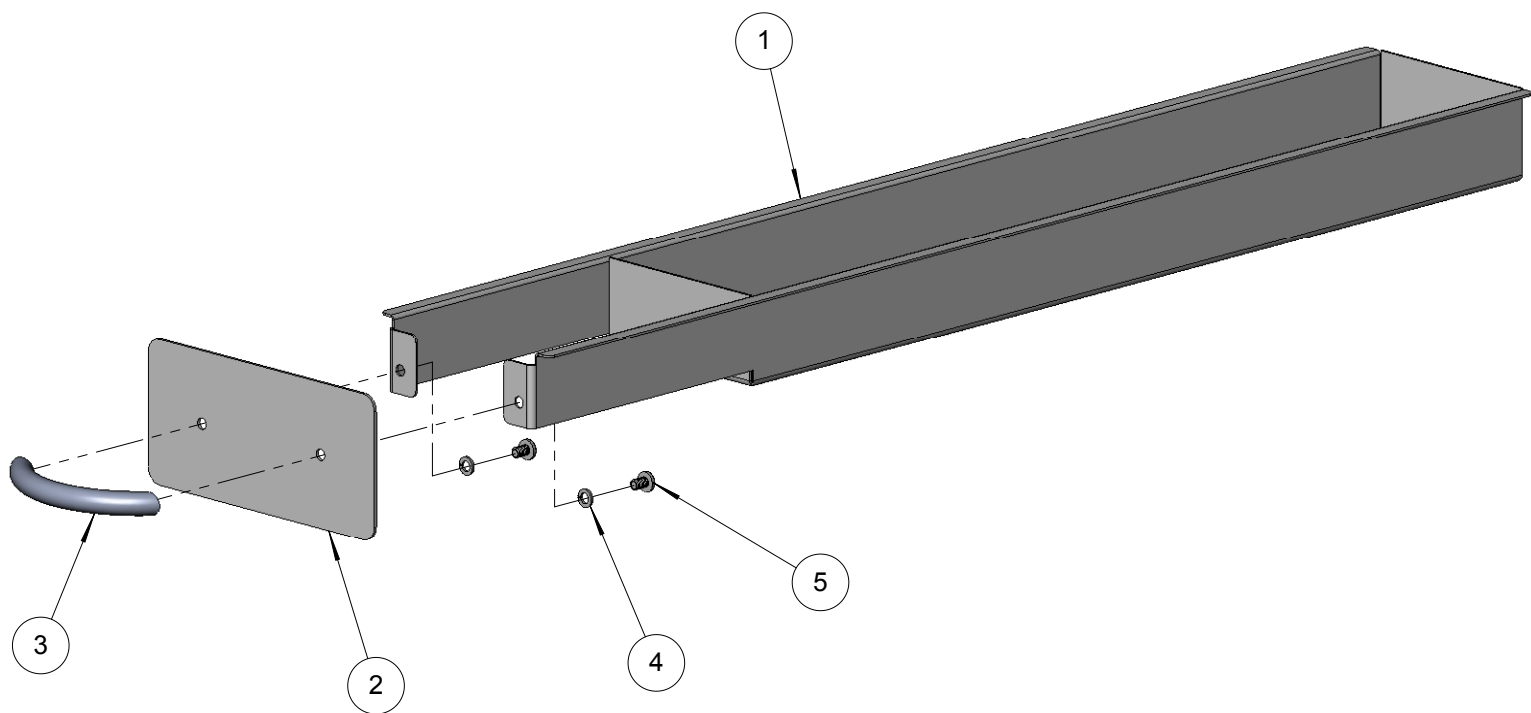
**NOTE:** ORIFICE OR VALVE TO CHANGE ACCORDING TO GAS SUPPLY. (NG OR LP)

ITEM N°	NG	LP
	PART N°	PART N°
18	290-0064	290-0065
19	220-0283	220-0284
20	220-0287	220-0288
21	220-0289	220-0290



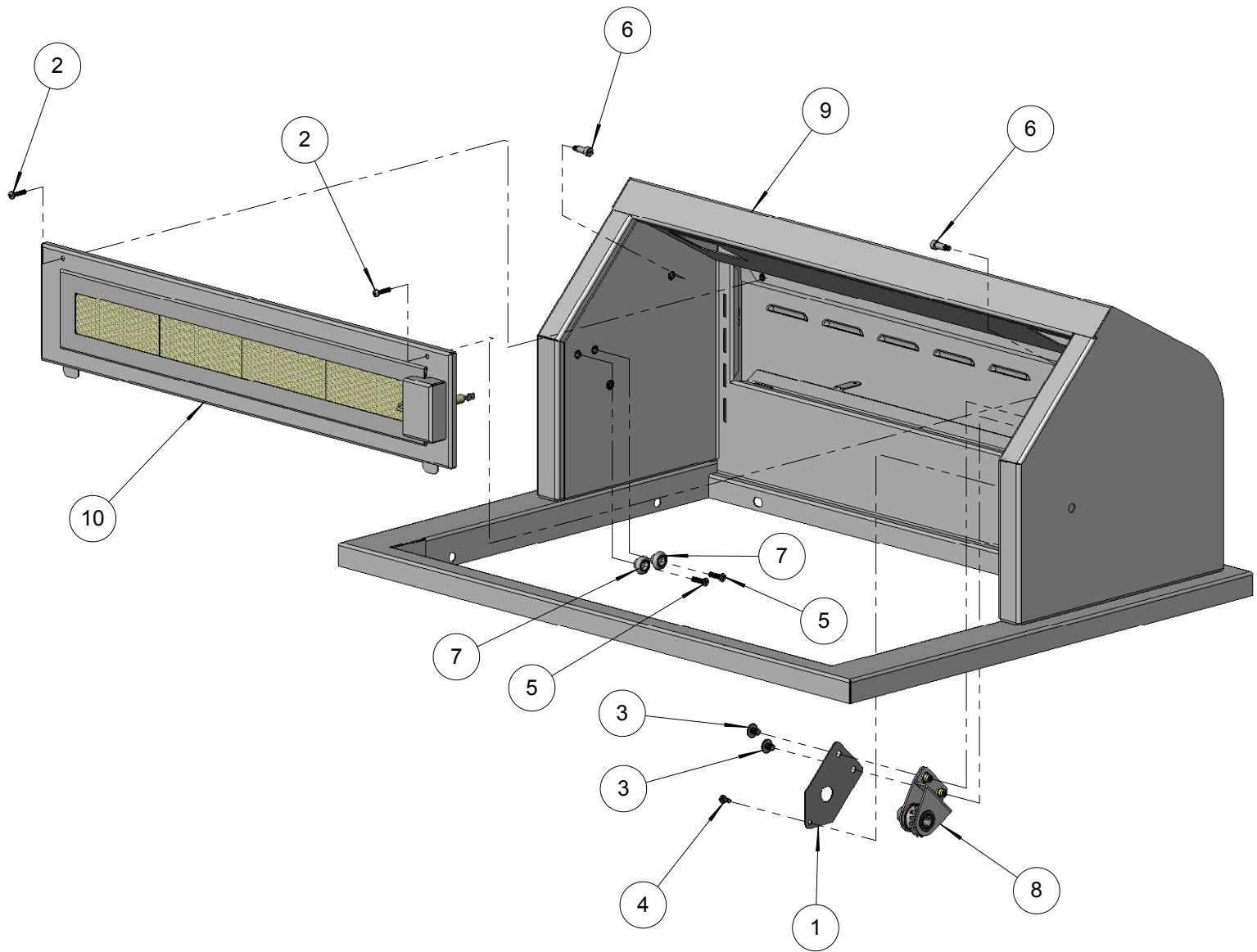
**BILL OF MATERIAL**

NO.	PART NUMBER	DESCRIPTION	QTY.
1	100-1081	SMOKER TRAY	1
2	100-1082	SMOKER TRAY HANDLE	1
3	290-0135	HANDLE - 3/8"Ø X 3" L - TAPPED	1
4	200-0200	WASHER - # 8 - LOCK SPRING - SS	2
5	200-0083	8-32 X 1/4 - PAN HEAD - PHILIPS SCREW	2



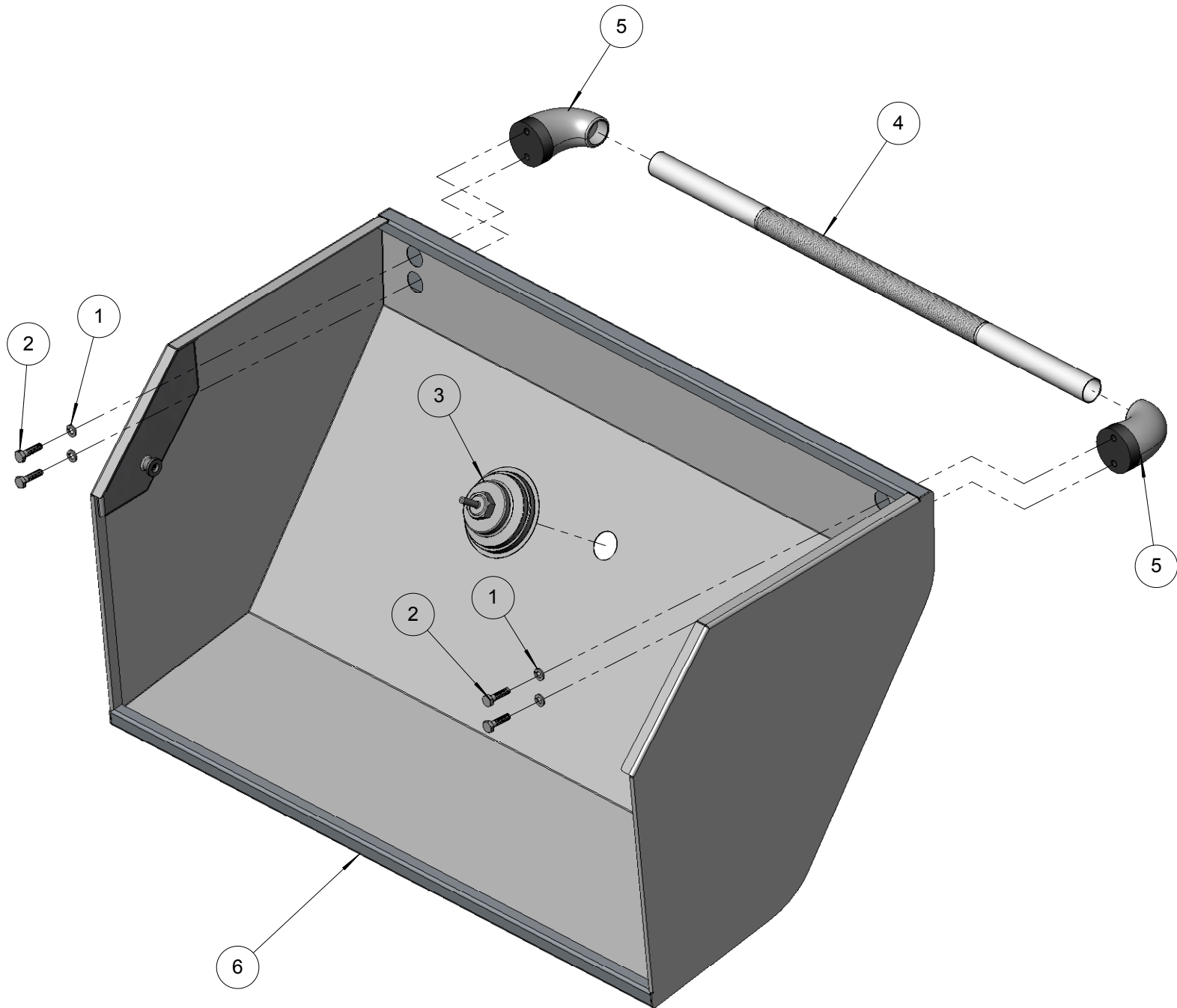
**BILL OF MATERIAL**

NO.	PART NUMBER	DESCRIPTION	QTY.
1	100-1092	ROTISSERIE GEAR COVER	1
2	200-0079	8-32 X 3/4 - PAN HEAD - PHILIPS SCREW	2
3	200-0086	1/4-20 X 3/8 - TRUSS HEAD - PHILIPS SCREW	2
4	200-0111	SCREW 8-18 X 1/2 - SS - MMC# 92364A194	1
5	200-0148	SCREW 10-32 X 3/4" - FLAT HEAD - PHILIPS - 82° - SS	2
6	200-0166	SCREW 10-32 X 1/4 Ø X 1/2 SHOULDER - SS	2
7	290-0119	ROLLER WHEEL - STAINLESS STL - 3/4" Ø -	2
8	510-0139	ROTISSERIE GEAR ASSEMBLY	1
9	510-0151	ALX2-30 BACK HOOD AND RIM - WELDED PARTS	1
10	510-0217	30"- ROTISSERIE PANEL ASSEMBLY	1



**BILL OF MATERIAL**

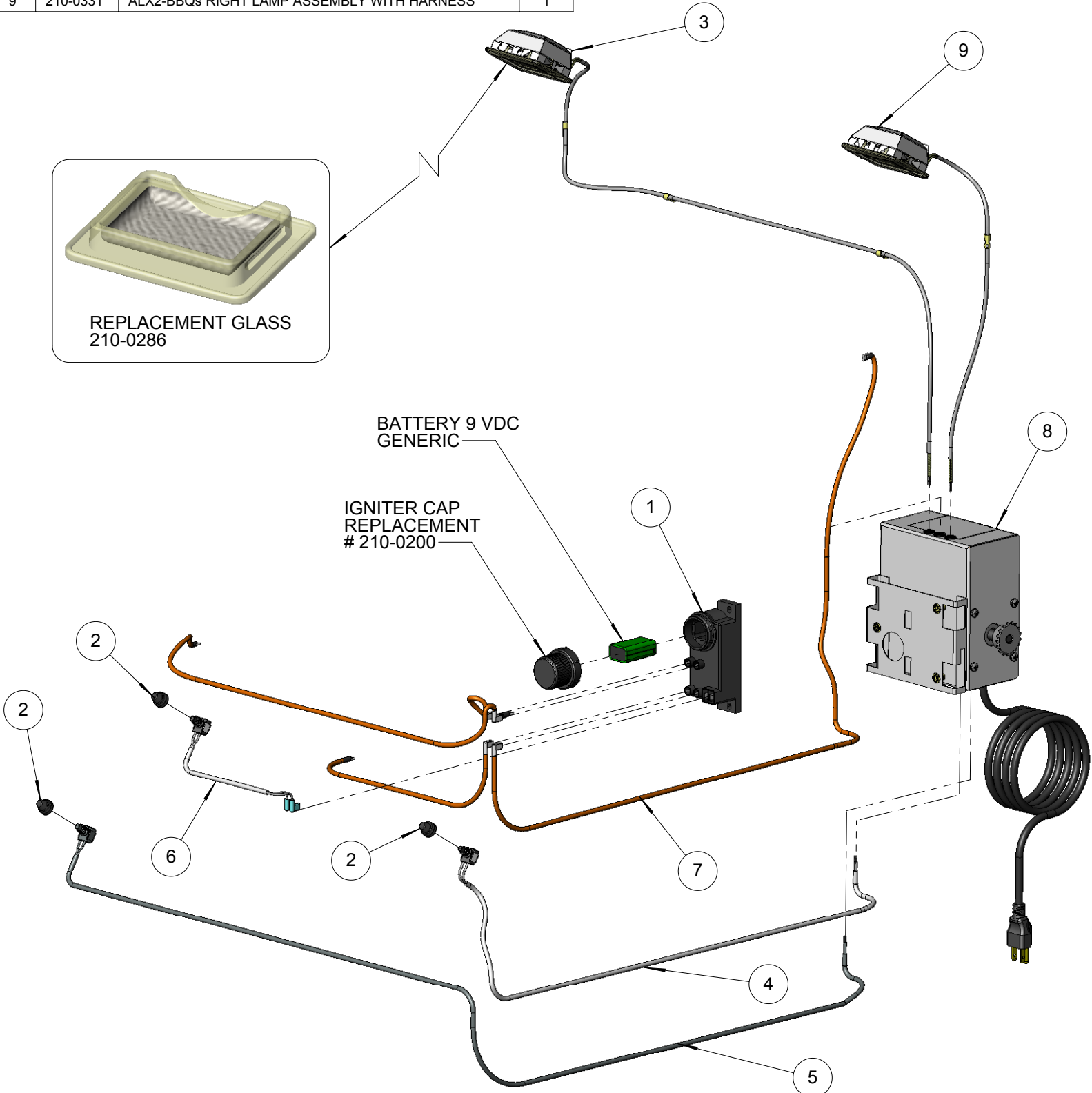
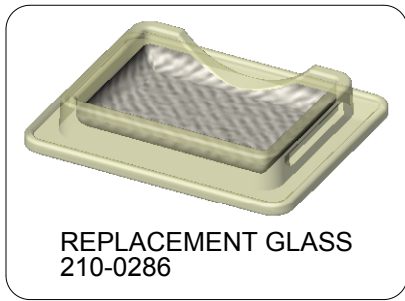
NO.	PART NUMBER	DESCRIPTION	QTY.
1	200-0087	1/4" LOCK WASHER	4
2	200-0091	HH- HD - 1/4-20 x 1 x .75 THREAD	4
3	210-0418	ALFRESCO - 3-1/8"Ø - ALX2 THERMOMETER	1
4	290-0029	HANDLE BAR - 24" KNURLED	1
5	290-0063	HANDLE - END CAP ASSEMBLY	2
6	510-0195	ALX2-30 FRONT HOOD - SKIN ASSEMBLY	1





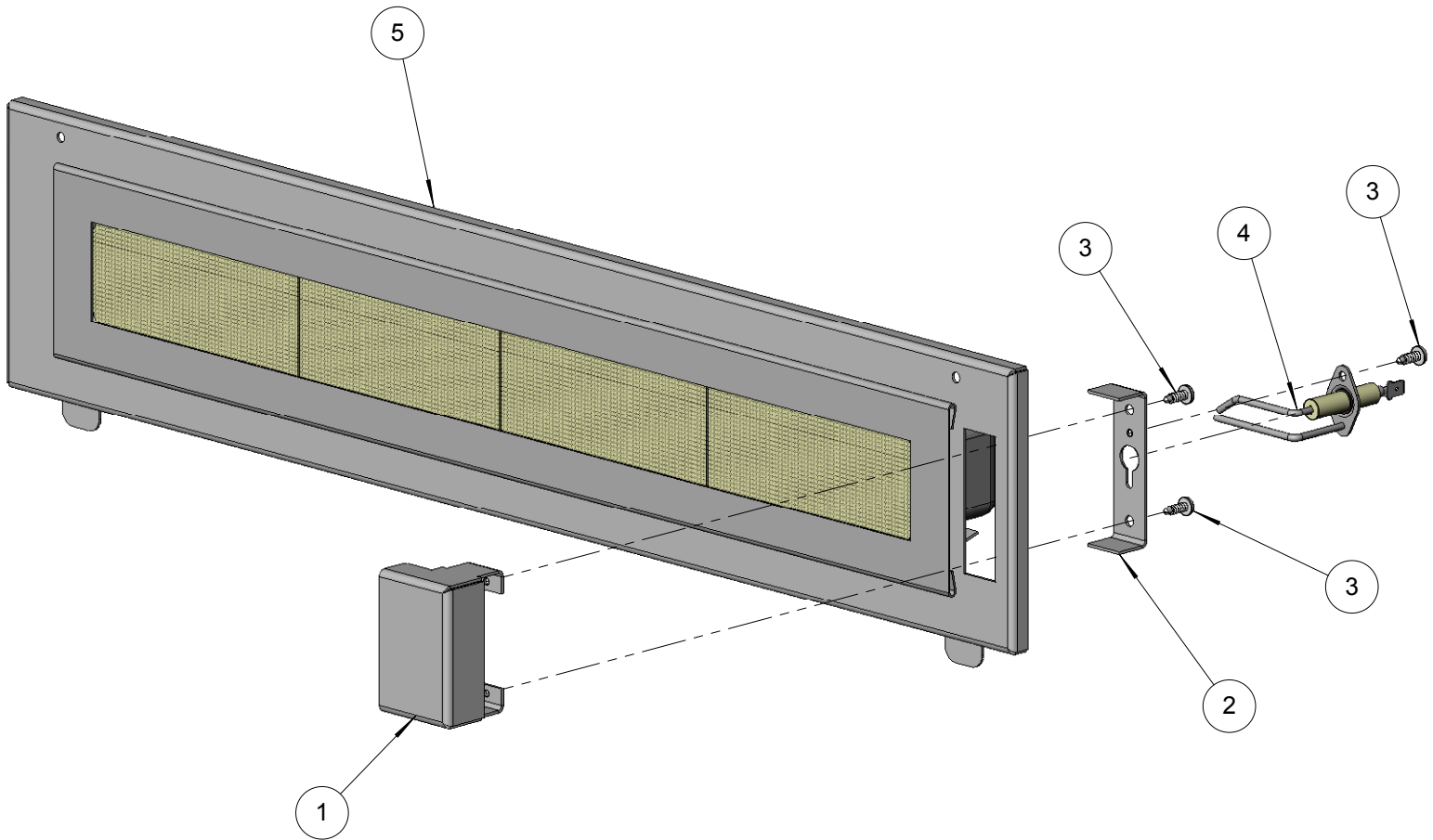
**BILL OF MATERIAL**

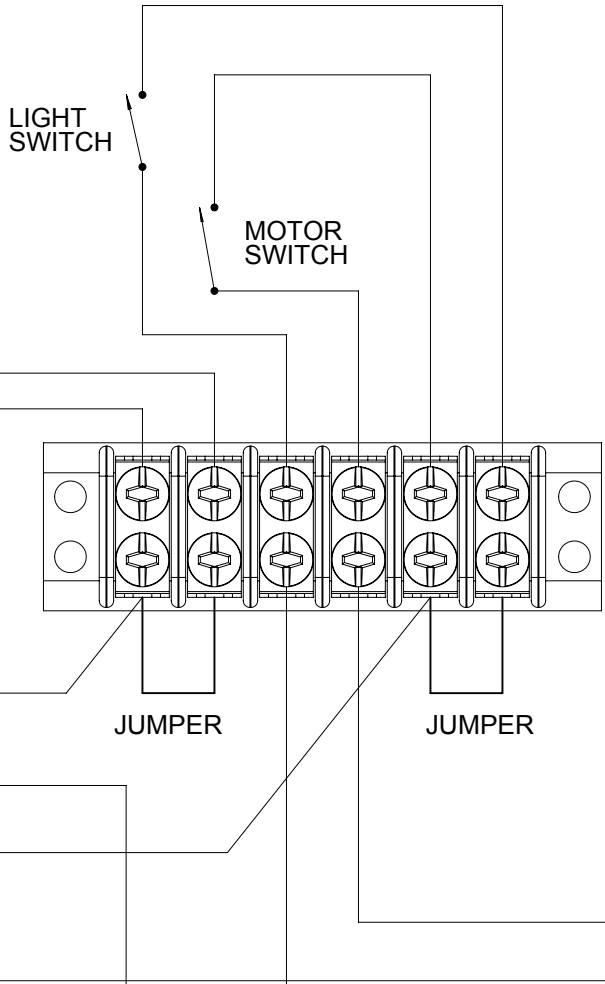
NO.	PART NUMBER	DESCRIPTION	QTY.
1	210-0194	IGNITER MODULE - 4 POINTS (WITH CAP)	1
2	210-0198	SWITCH - WEATHER BOOT & CAP	3
3	210-0332	ALX2-30 LEFT LAMP ASSEMBLY WITH HARNESS	1
4	210-0335	ALX2-BBQs LIGHT SWITCH WITH HARNESS	1
5	210-0337	ALX2-30 ROTISSERIE SWITCH WITH HARNESS	1
6	210-0340	SWITCH BBQ - IGNITER ONLY - OFF [ON] MOMENTARY	1
7	210-0341	ALX2-30 SZ - IGNITION WIRING HARNESS (4 WIRE SET)	1
8	510-0200	ALX2 ROTISSERIE MOTOR ASSEMBLY & J-BOX	1
9	210-0331	ALX2-BBQs RIGHT LAMP ASSEMBLY WITH HARNESS	1



**BILL OF MATERIAL**

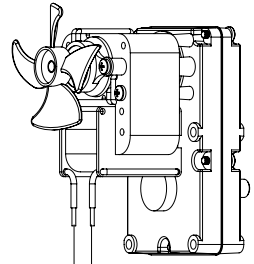
NO.	PART NUMBER	DESCRIPTION	QTY.
1	100-1225	ROTISSERIE ELECTRODE COVER	1
2	100-1226	ROTISSERIE ELECTRODE BRACKET	1
3	200-0111	SCREW 8-18 X 1/2 - SS - MMC# 92364A194	3
4	210-0240	ELECTRODE - DUAL TIP - IR BURNERS	1
5	510-0250	ALX2-30 ROTISSERY PANEL - WELDED PARTS	1





TERMINAL BLOCK  
210-0302

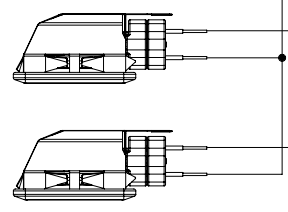
ROTISSERIE  
MOTOR



N  
~ 115 VAC - 50/60 Hz.  
L  
G

JUMPER

JUMPER



LIGHTS  
(2) 120 VAC x 40W  
MODEL: G940120  
SOCKET: G9