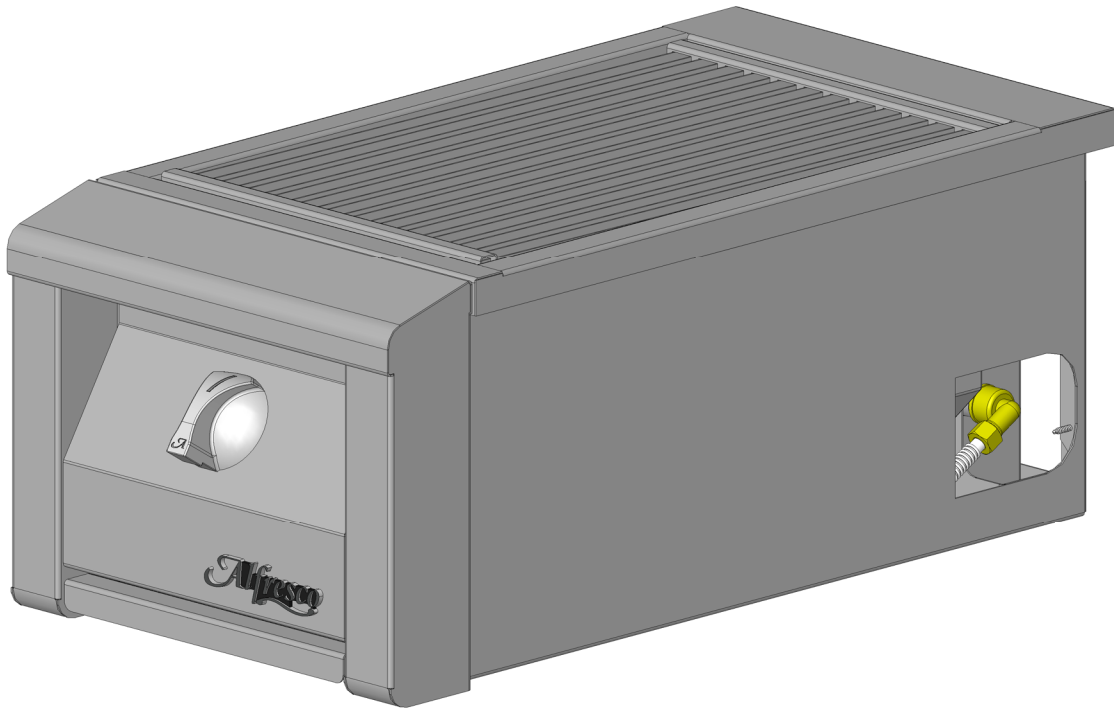


Alfresco™

Open Air Culinary Systems

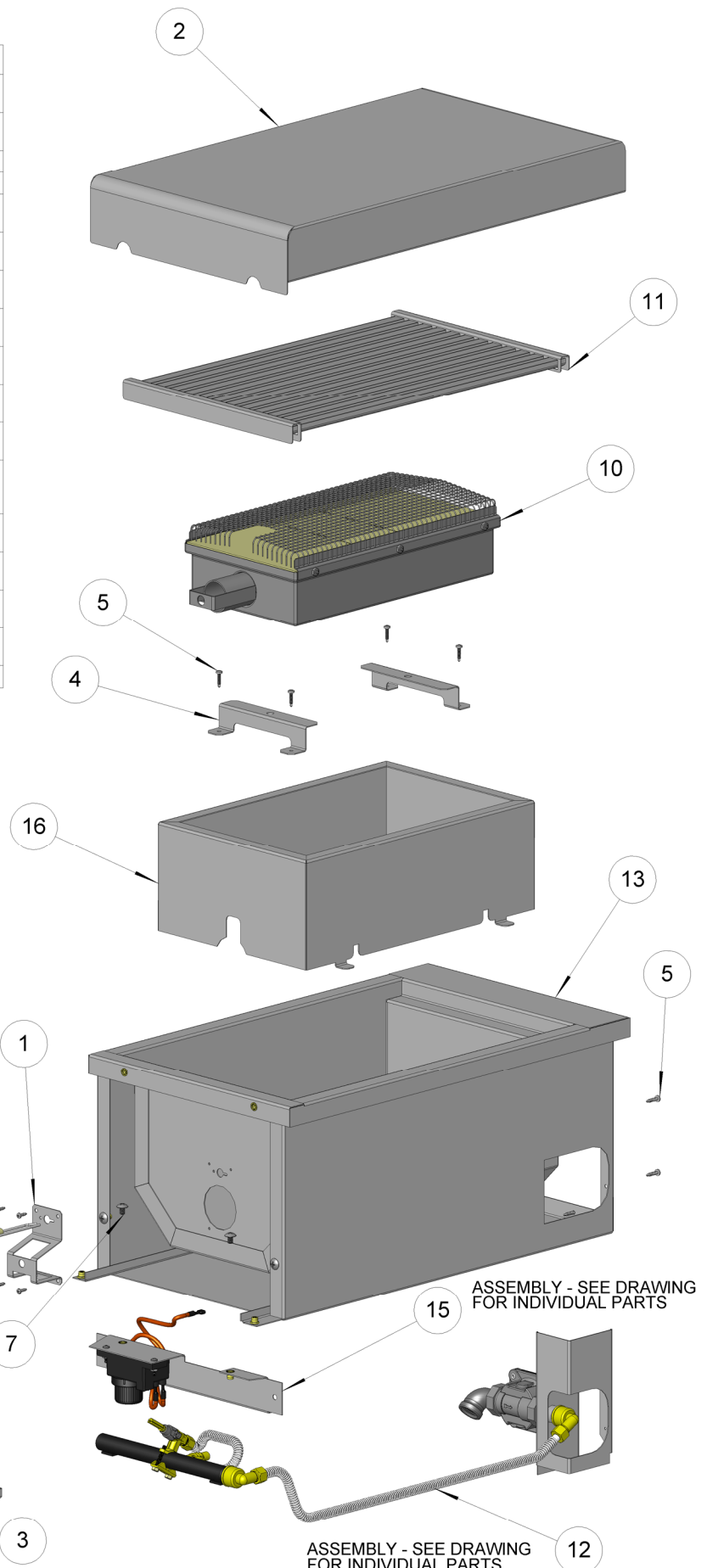


AGSZ

BUILT-IN SEAR-ZONE™ SIDE BURNER UNIT

BILL OF MATERIAL

NO.	PART NUMBER	DESCRIPTION	QTY.
1	100-0916	BRACKET - SEAR ZONE™ & ELECTRODE	1
2	100-0949	WEATHER COVER	1
3	130-1139	DRIP TRAY	1
4	130-1143	SEAR ZONE SUPPORT BRACKET	2
5	200-0058	SCREW 8-18 x 3/4 - PHILIPS - SELF TAP	7
6	200-0076	SCREW 6 - 20 x 1/2" - PHILIPS - SELF-TAP	5
7	200-0086	1/4-20 X 3/8 - TRUSS HEAD - PHILIPS SCREW	4
8	210-0192	ELECTRODE - DUAL TIP - IR BURNERS	1
9	290-0030	KNOB BBQ - ALFRESCO "A" LETTER	1
10	290-0052	ALFRESCO SEAR ZONE™ BURNER ASSEMBLY	1
11	510-0051	SIDE BURNER GRILL - SEAR ZONE™ - "V" ROD ASSEMBLY	1
12	510-0054	GAS MANIFOLD ASSEMBLY	1
13	510-0060	SIDE BURNER SEAR ZONE - MAIN BODY	1
14	510-0061	SEAR ZONE™ SIDE BURNER - FRONT ASSY.	1
15	510-0063	SEAR ZONE™ SIDE BURNER - IGNITER ASSY.	1
16	510-0067	HEAT SHIELD ASSEMBLY	1



ASSEMBLY - SEE DRAWING FOR INDIVIDUAL PARTS

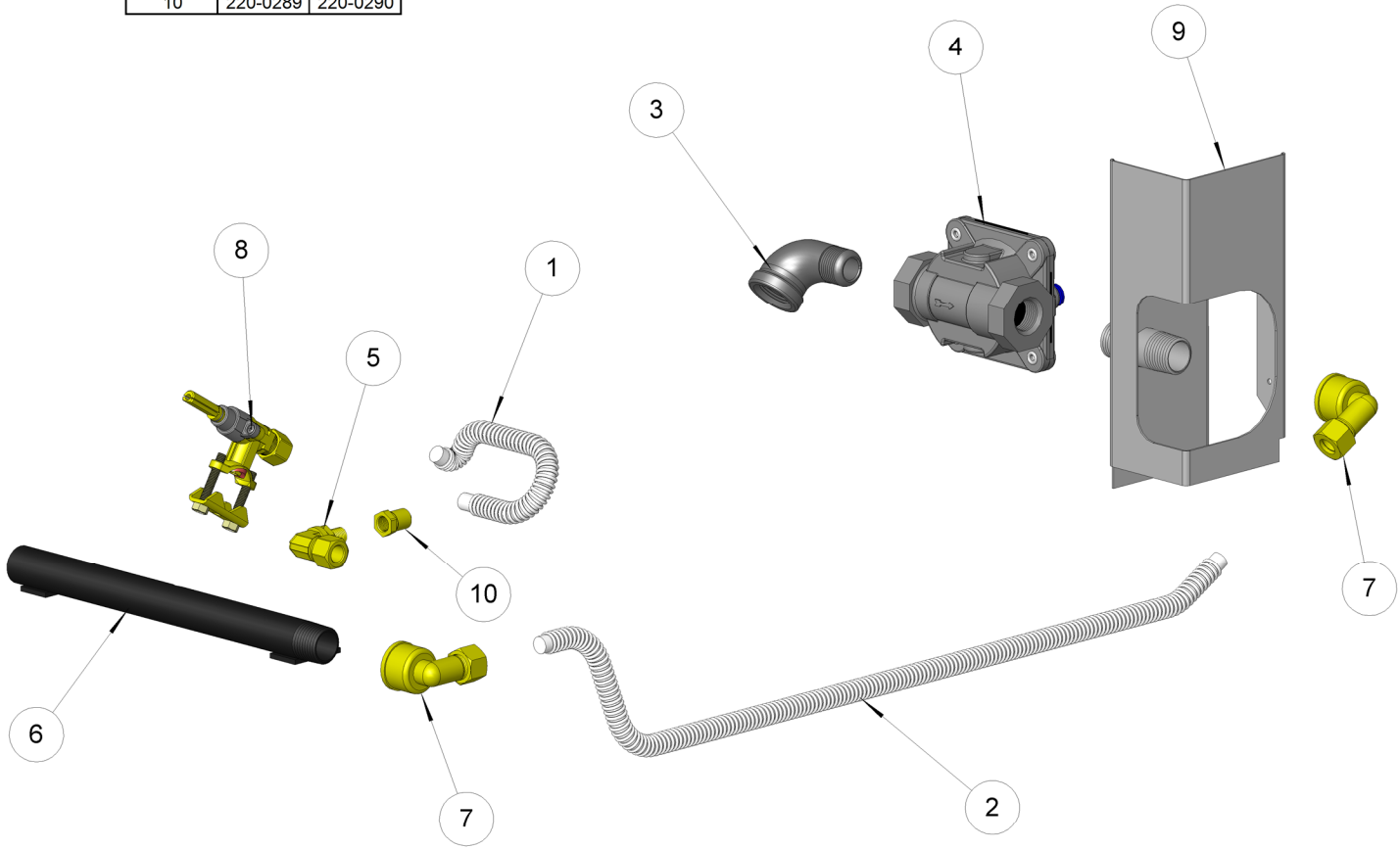
ASSEMBLY - SEE DRAWING FOR INDIVIDUAL PARTS

ASSEMBLY - SEE DRAWING FOR INDIVIDUAL PARTS

BILL OF MATERIAL			
NO.	PART NUMBER	DESCRIPTION	QTY.
1	100-0917	GAS LINE - 8"L X 3/8" Ø - SS FLEX TUBE	1
2	100-0941	GAS LINE - 24"L X 3/8"Ø - SS FLEX TUBE	1
3	200-0274	ELBOW 90°- CAST IRON - 1/2" FPT x 1/2" MPT	1
4	220-0280	REGULATOR GAS - MAXITROL RV48CL440002	1
5	220-0293	ELBOW 1/4" FPT x 3/8" COMP	1
6	220-0299	MANIFOLD - SIDE BURNER - SEAR-ZONE™	1
7	220-0304	ELBOW 1/2 FPT X 3/8"Ø COMP	2
8	290-0041	GAS VALVE - STRAIGHT - NO ORIFICE	1
9	510-0058	SIDE BURNER GRILL - SEAR ZONE™ - NIPPLE ASSY	1
10	SEE NOTE	ORIFICE - SEAR ZONE™ >>> SEE NOTE	1

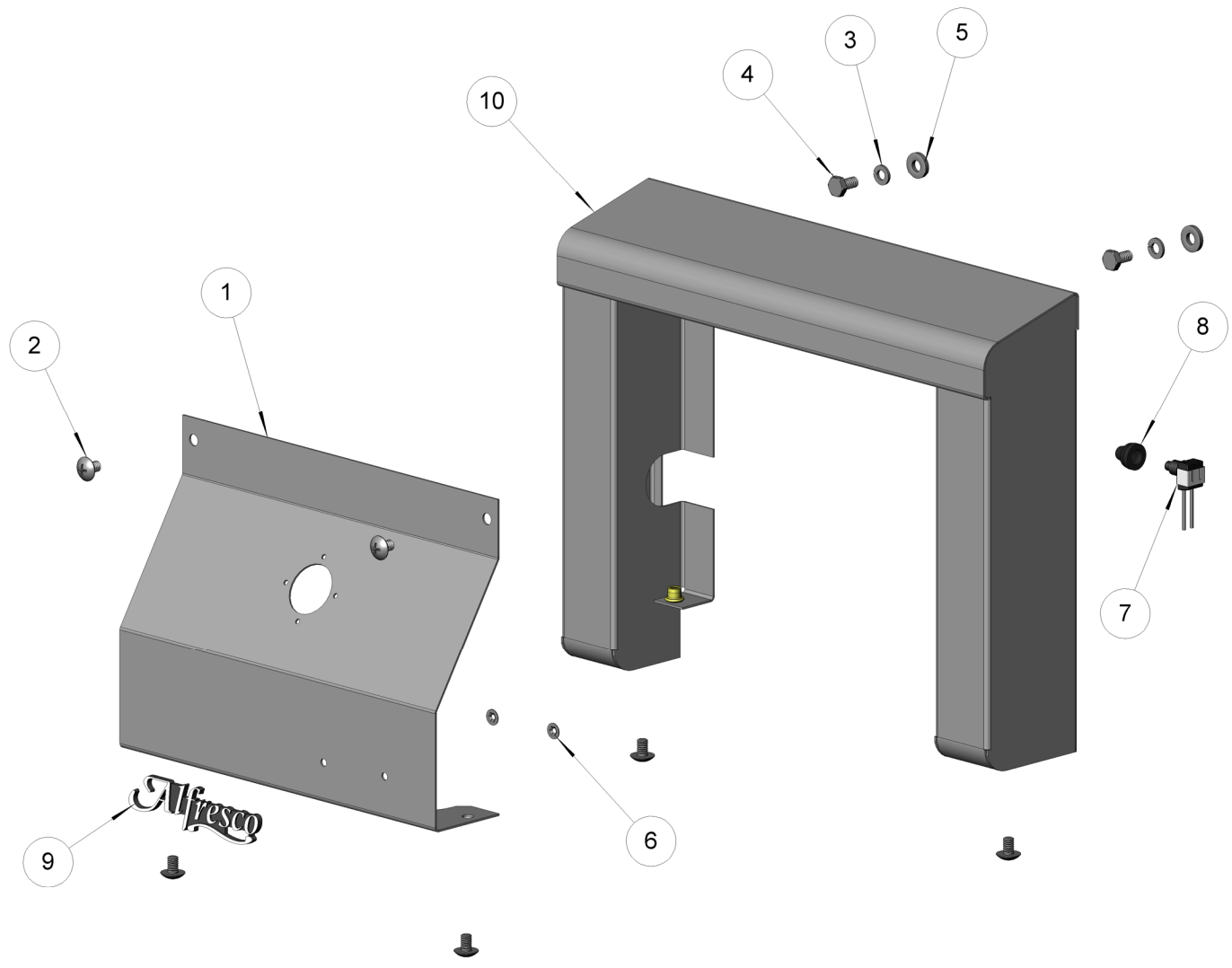
NOTE: THE FOLLOWING ITEM WILL CHANGE PART NUMBER DEPENDING UPON THE GAS SUPPLY, NATURAL GAS (NG) OR LIQUID PROPANE (LP)

ITEM N°	NG	LP
	PART N°	PART N°
10	220-0289	220-0290



BILL OF MATERIAL

NO.	PART NUMBER	DESCRIPTION	QTY.
1	130-1146	FRONT CONTROL PANEL	1
2	200-0086	1/4-20 X 3/8 - TRUSS HEAD - PHILIPS SCREW	6
3	200-0087	1/4" LOCK WASHER	2
4	200-0089	1/4-20 X 1/2 - HEX HEAD BOLT	2
5	200-0092	1/4 X 1/8 X 5/8 FLAT WASHER - SPACER	2
6	200-0093	WASHER - PUSH LOCK 1/8" ID X 3/8" OD (FOR LOGO)	2
7	210-0197	SWITCH - MOMENTARY	1
8	210-0198	SWITCH - WEATHER BOOT FOR 210-0197	1
9	290-0031	LOGO - ALFRESCO	1
10	510-0052	SIDE BURNER FRONT - WELDED PARTS	1



BILL OF MATERIAL

NO.	PART NUMBER	DESCRIPTION	QTY.
1	200-0079	8-32 X 3/4 - PAN HEAD - PHILIPS SCREW	2
2	200-0081	BUSHING HEYCO OCB-1000 - PART # 2878	1
3	200-0099	NUT 8-32 WITH LOCK WASHER	3
4	200-0100	SCREW 8-32 X 3/8" - PAN HEAD - PHILIPS - SS	1
5	210-0195	IGNITER MODULE - 2 POINTS (WITH CAP)	1
6	210-0213	SIDE BURNER IGNITER WIRE - 11"L X 1/8" X 1/4" F.SPADE	1
7	210-0217	SIDE BURNER - IGNITER WIRE GROUND - 12"L X 1/8" F.SPADE X 18 GA EYELET	1
8	510-0062	SIDE BURNER - SEAR ZONE - IGNITER/MANIFOLD BRACKET	1

