

GENESIS®



GAS GRILL

LP Gas Grill Owner's Guide

ESNA Guía del Propietario del Asador de Gas Propano Licuado - Pg. 29

FC Mode d'emploi du grill à gaz PL - Pg. 53

320/330

#56508



YOU MUST READ THIS OWNER'S GUIDE BEFORE OPERATING YOUR GAS GRILL.

⚠ DANGER

If you smell gas:

1. Shut off gas to the appliance.
2. Extinguish any open flames.
3. Open lid.
4. If odor continues, keep away from the appliance and immediately call your gas supplier or your fire department.

Leaking gas may cause a fire or explosion which can cause serious bodily injury, death, or damage to property.

⚠ WARNING:

1. Do not store or use gasoline or other flammable liquids or vapors in the vicinity of this or any other appliance.
2. An LP cylinder not connected for use shall not be stored in the vicinity of this or any other appliance.

⚠ WARNING: Follow all leak-check procedures carefully in this manual prior to barbecue operation. Do this even if the barbecue was dealer-assembled.

NOTICE TO INSTALLER: These instructions must be left with the owner and the owner should keep them for future use.

THIS GAS APPLIANCE IS DESIGNED FOR OUTDOOR USE ONLY.

⚠ WARNING: Do not ignite this appliance without first reading the **BURNER IGNITION** sections of this manual.



56508 11/10/10 LP
US ENGLISH

WARNINGS

⚠ DANGER

Failure to follow the Dangers, Warnings and Cautions contained in this Owner's Manual may result in serious bodily injury or death, or in a fire or an explosion causing damage to property.

⚠ WARNINGS

- ⚠ Do not store a spare or disconnected liquid propane cylinder under or near this barbecue.
- ⚠ Improper assembly may be dangerous. Please follow the assembly instructions carefully.
- ⚠ After a period of storage, and/or nonuse, the Weber® gas barbecue should be checked for gas leaks and burner obstructions before use. See instructions in this manual for correct procedures.
- ⚠ Do not operate the Weber® gas barbecue if there is a gas leak present.
- ⚠ Do not use a flame to check for gas leaks.
- ⚠ Combustible materials should never be within 24 inches (61 cm) of the back or sides of your Weber® gas barbecue.
- ⚠ Do not put a barbecue cover or anything flammable on, or in the storage area under the barbecue.
- ⚠ Your Weber® gas barbecue should never be used by children. Accessible parts of the barbecue may be very hot. Keep young children away while it is in use.
- ⚠ You should exercise reasonable care when operating your Weber® gas barbecue. It will be hot during cooking or cleaning and should never be left unattended, or moved while in operation.
- ⚠ Should the burners go out while in operation, turn all gas valves off. Open the lid and wait five minutes before attempting to relight, using the igniting instructions.
- ⚠ Do not use charcoal or lava rock in your Weber® gas barbecue.
- ⚠ Never lean over open grill or place hands or fingers on the front edge of the cookbox.
- ⚠ Should a grease fire occur, turn off all burners and leave lid closed until fire is out.
- ⚠ Do not enlarge valve orifices or burner ports when cleaning the valves or burners.
- ⚠ The Weber® gas barbecue should be thoroughly cleaned on a regular basis.
- ⚠ Liquid propane gas is not natural gas. The conversion or attempted use of natural gas in a liquid propane unit or liquid propane gas in a natural gas unit is dangerous and will void your warranty.
- ⚠ Do not attempt to disconnect any gas fitting while your barbecue is in operation.
- ⚠ Use heat-resistant barbecue mitts or gloves when operating barbecue.
- ⚠ Keep any electrical supply cord and the fuel supply hose away from any heated surfaces.
- ⚠ Combustion byproducts produced when using this product contain chemicals known to the state of California to cause cancer, birth defects, or other reproductive harm.
- ⚠ Do not use this barbecue unless all parts are in place. The unit must be properly assembled according to the assembly instructions.
- ⚠ Do not build this model of grill in any built-in or slide in construction. Ignoring this Warning could cause a fire or an explosion that can damage property and cause serious bodily injury or death.
- ⚠ Proposition 65 Warning: Handling the brass material on this product exposes you to lead, a chemical known to the state of California to cause cancer, birth defects or other reproductive harm.
(Wash hands after handling this product.)

LIQUID PROPANE GAS UNITS ONLY:

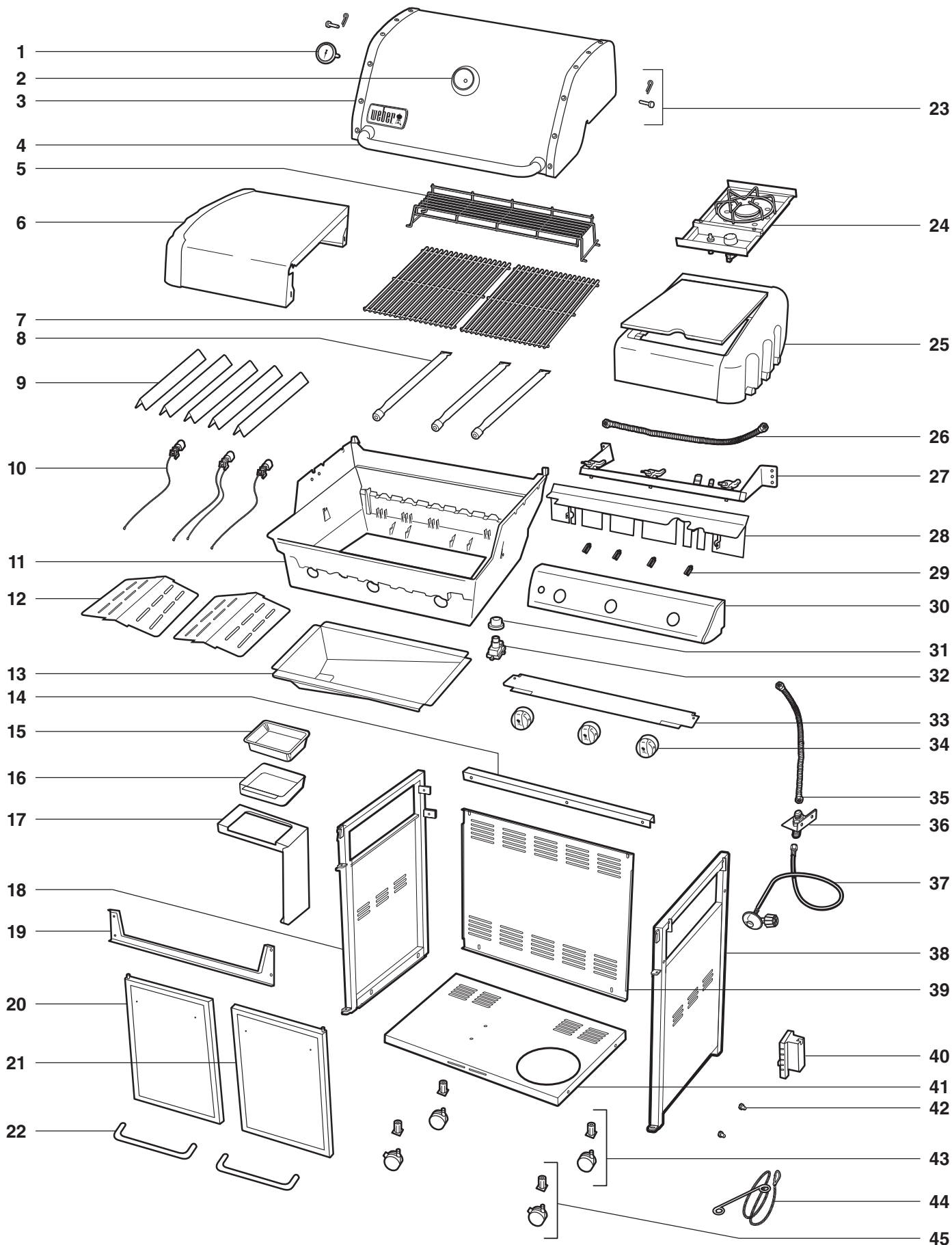
- ⚠ Use the pressure regulator and hose assembly that is supplied with your Weber® gas barbecue.
- ⚠ Do not attempt to disconnect the gas regulator and hose assembly or any gas fitting while your barbecue is in operation.
- ⚠ A dented or rusty liquid propane cylinder may be hazardous and should be checked by your liquid propane supplier. Do not use a liquid propane cylinder with a damaged valve.
- ⚠ Although your liquid propane cylinder may appear to be empty, gas may still be present, and the cylinder should be transported and stored accordingly.
- ⚠ If you see, smell or hear the hiss of escaping gas from the liquid propane cylinder:
 1. Move away from liquid propane cylinder.
 2. Do not attempt to correct the problem yourself.
 3. Call your fire department.

TABLE OF CONTENTS

WARNINGS	2	TROUBLESHOOTING	22
TABLE OF CONTENTS	3	SIDE BURNER TROUBLESHOOTING	22
EXPLODED VIEW 320	4	MAINTENANCE	23
EXPLODED VIEW LIST 320	5	CLEANING	23
EXPLODED VIEW 330	6	WEBER® SPIDER/INSECT SCREENS	23
EXPLODED VIEW LIST 330	7	BURNER TUBES CLEANING OR REPLACEMENT	24
WARRANTY	8	ELECTRONIC IGNITION SYSTEM OPERATIONS	26
GENERAL INSTRUCTIONS	9	SIDE BURNER MAINTENANCE	27
CANADIAN INSTALLATION	9	ANNUAL MAINTENANCE	27
OPERATING	9		
STORAGE AND/OR NONUSE	9		
GAS INSTRUCTIONS	10		
SAFE HANDLING TIPS FOR LIQUID PROPANE GAS CYLINDERS	10		
IMPORTANT LP CYLINDER INFORMATION	11		
LEAK CHECK PREPARATION	11		
CHECK FOR GAS LEAKS	13		
REFILLING THE LIQUID PROPANE CYLINDER	14		
BEFORE USING THE GRILL	15		
FUEL LEVEL	15		
SLIDE OUT GREASE TRAY AND DISPOSABLE DRIP PAN	15		
ELECTRONIC IGNITER INSPECTION	15		
HOSE INSPECTION	15		
MAIN BURNER IGNITION & USAGE	16		
MAIN BURNER IGNITION	16		
TO EXTINGUISH	16		
MAIN BURNER MANUAL IGNITION	17		
TO EXTINGUISH	17		
SEAR STATION® IGNITION & USAGE (330 MODEL)	18		
SEAR STATION® BURNER IGNITION	18		
SEAR STATION® BURNER MANUAL IGNITION	18		
USING THE SEAR STATION®	18		
GRILLING TIPS & HELPFUL HINTS	19		
PREHEATING	19		
COVERED COOKING	19		
DRIPPINGS AND GREASE	19		
FLAVORIZER® SYSTEM	19		
SEAR STATION®	19		
SIDE BURNER IGNITION & USAGE	20		
SIDE BURNER IGNITION	20		
TO EXTINGUISH	20		
SIDE BURNER MANUAL IGNITION	21		
TO EXTINGUISH	21		

EXPLODED VIEW 320 • DIAGRAMA DE DESPIECE 320 • VUE ECLATEE 320

Genesis_320_LP_US_61110

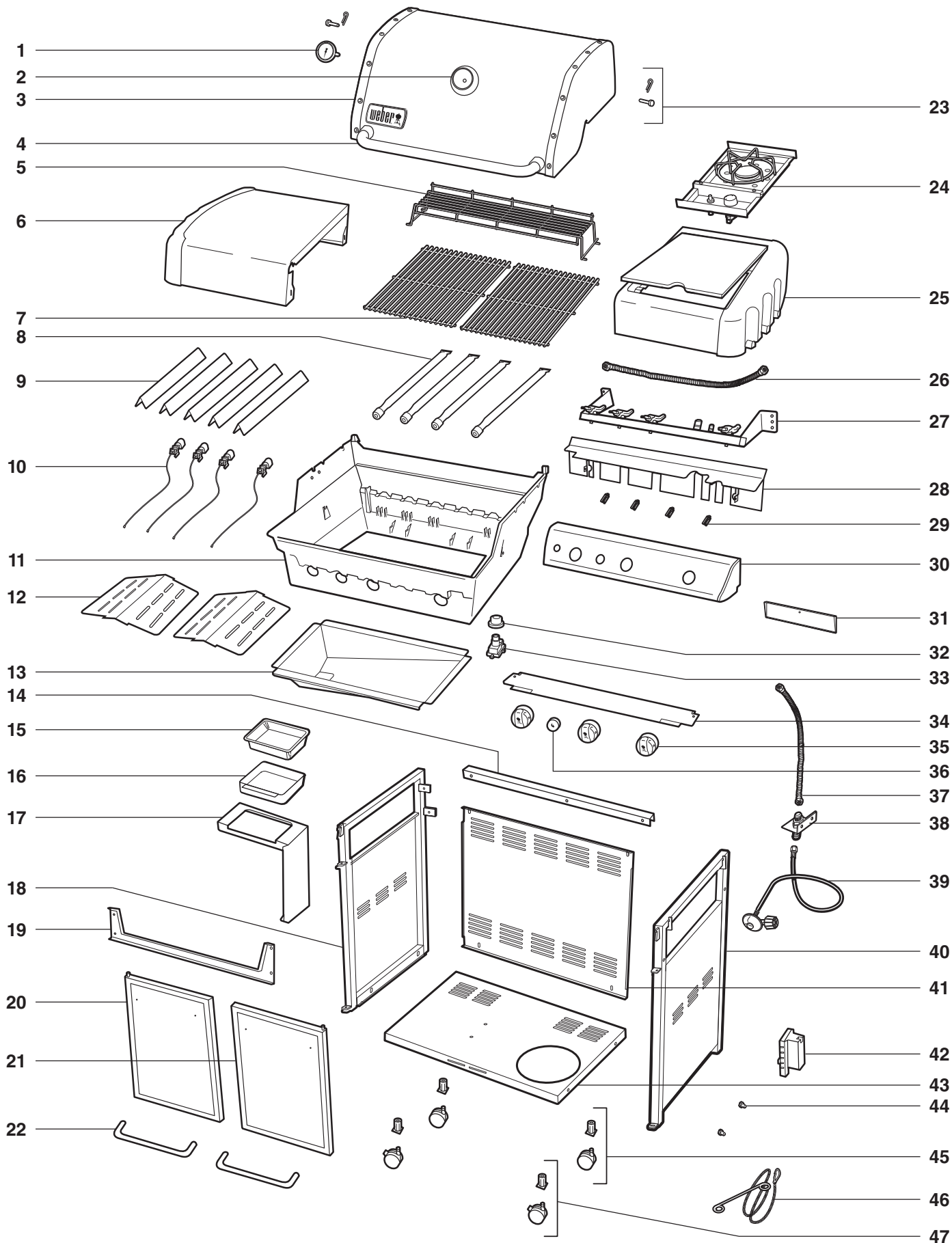


EXPLODED VIEW LIST 320 • LISTA DEL DIAGRAMA DE DESPIECE 320 • LISTE DE LA VUE ECLATEE 320

- | | | |
|--|--|--|
| 1. Thermometer
Termómetro
Thermomètre | 16. Catch Pan
Plato recolector
Egouttoir | 31. Igniter Button
Botón de encendido
Bouton de l'allumeur |
| 2. Thermometer Bezel
Moldura decorativa del termómetro
Collerette du thermomètre | 17. Catch Pan Holder
Soporte del plato recolector
Support pour égouttoir | 32. Igniter Module
Módulo de encendido
Module de l'allumeur |
| 3. Shroud
Cubierta
Etui | 18. Left Frame Panel
Panel izquierdo del bastidor
Panneau de châssis gauche | 33. Wind Deflector
Deflector de viento
Déflecteur de vent |
| 4. Handle
Asa
Poignée | 19. Front Frame Support
Soporte delantero del bastidor
Support de châssis avant | 34. Control Knob
Perilla de control
Bouton de commande |
| 5. Warming Rack
Rejilla de calentamiento
Grille de maintien au chaud | 20. Left Door
Puerta izquierda
Porte gauche | 35. Manifold Hose
Manguera del múltiple
Tuyau du collecteur |
| 6. Left Side Table
Mesa lateral izquierda
Tablette latérale gauche | 21. Right Door
Puerta derecha
Porte droite | 36. Bulkhead
Tabique divisorio
Tête du brûleur |
| 7. Cooking Grate
Parrilla de cocción
Grille de cuisson | 22. Door Handle
Asa de la puerta
Poignée de porte | 37. Hose / Regulator
Manguera / Regulador
Tuyau/Régulateur |
| 8. Burner Tube
Tubo quemador
Tube du brûleur | 23. Shroud Hardware
Accesorios de la cubierta
Quincaillerie de l'étui | 38. Right Frame Panel
Panel derecho del bastidor
Panneau de châssis droit |
| 9. Flavorizer® Bar
Barra Flavorizer®
Barre Flavorizer® | 24. Side Burner
Quegador lateral
Brûleur latéral | 39. Back Panel
Panel trasero
Panneau arrière |
| 10. Igniter
Encendedor
Allumeur | 25. Side Burner Table
Mesa del quemador lateral
Tablette du brûleur latéral | 40. Tank Scale
Báscula del tanque
Support de la bouteille |
| 11. Cookbox
Caja de cocción
Boîtier de cuisson | 26. Side Burner Gas Line
Línea de gas del quemador lateral
Conduite de gaz du brûleur latéral | 41. Bottom Panel
Panel inferior
Panneau inférieur |
| 12. Heat Deflector
Deflector de calor
Déflecteur de chaleur | 27. Manifold
Múltiple
Collecteur | 42. Tank Glide
Deslizadera del tanque
Glissière de la bouteille |
| 13. Slide Out Grease Tray
Bandeja deslizante de grasa
Plateau de récupération des graisses amovible | 28. Heat Shield
Pantalla contra el calor
Protection anti-chaleur | 43. Caster
Rueda giratoria
Roulette |
| 14. Rear Frame Support
Soporte posterior del bastidor
Support de châssis arrière | 29. Wire Clips
Grapas de alambre
Pincas de retenue des câbles | 44. Matchstick Holder
Portacerillos
Porte-allumette |
| 15. Disposable Drip Pan
Bandeja de goteo desechable
Egouttoir jetable | 30. Control Panel
Tablero de control
Panneau de commande | 45. Locking Caster
Rueda giratoria con bloqueo
Roulette de verrouillage |

EXPLODED VIEW 330 • DIAGRAMA DE DESPIECE 330 • VUE ECLATEE 330

Genesis_330_LP_US_061110



- | | | |
|--|---|---|
| 1. Thermometer
Termómetro
Thermomètre | 17. Catch Pan Holder
Soporte del plato recolector
Support pour égouttoir | 33. Igniter Module
Módulo de encendido
Module de l'allumeur |
| 2. Thermometer Bezel
Moldura decorativa del termómetro
Collerette du thermomètre | 18. Left Frame Panel
Panel izquierdo del bastidor
Panneau de châssis gauche | 34. Wind Deflector
Deflector de viento
Déflecteur de vent |
| 3. Shroud
Cubierta
Etui | 19. Front Frame Support
Soporte delantero del bastidor
Support de châssis avant | 35. Control Knob
Perilla de control
Bouton de commande |
| 4. Handle
Asa
Poignée | 20. Left Door
Puerta izquierda
Porte gauche | 36. Sear Station® Knob
Perilla de la estación de dorado Sear Station®
Bouton Sear Station® |
| 5. Warming Rack
Rejilla de calentamiento
Grille de maintien au chaud | 21. Right Door
Puerta derecha
Porte droite | 37. Manifold Hose
Manguera del múltiple
Tuyau du collecteur |
| 6. Left Side Table
Mesa lateral izquierda
Tablette latérale gauche | 22. Door Handle
Asa de la puerta
Poignée de porte | 38. Bulkhead
Tabique divisorio
Tête de brûleur |
| 7. Cooking Grate
Parrilla de cocción
Grille de cuisson | 23. Shroud Hardware
Accesorios de la cubierta
Quincaillerie de l'étui | 39. Hose / Regulator
Manguera / Regulador
Tuyau/Régulateur |
| 8. Burner Tube
Tubo quemador
Tube du brûleur | 24. Side Burner
Quemador lateral
Brûleur latéral | 40. Right Frame Panel
Panel derecho del bastidor
Panneau de châssis droit |
| 9. Flavorizer® Bar
Barra Flavorizer®
Barre Flavorizer® | 25. Side Burner Table
Mesa del quemador lateral
Tablette du brûleur latéral | 41. Back Panel
Panel trasero
Panneau arrière |
| 10. Igniter
Encendedor
Allumeur | 26. Side Burner Gas Line
Línea de gas del quemador lateral
Conduite de gaz du brûleur latéral | 42. Tank Scale
Báscula del tanque
Support de la bouteille |
| 11. Cookbox
Caja de cocción
Boîtier de cuisson | 27. Manifold
Múltiple
Collecteur | 43. Bottom Panel
Panel inferior
Panneau inférieur |
| 12. Heat Deflector
Deflector de calor
Déflecteur de chaleur | 28. Heat Shield
Pantalla contra el calor
Protection anti-chaleur | 44. Tank Glide
Deslizadera del tanque
Glissière de la bouteille |
| 13. Slide Out Grease Tray
Bandeja deslizante de grasa
Plateau de récupération des graisses amovible | 29. Wire Clips
Grapas de alambre
Pincas de retenue de câbles | 45. Caster
Rueda giratoria
Roulette |
| 14. Rear Frame Support
Soporte posterior del bastidor
Support de châssis arrière | 30. Control Panel
Tablero de control
Panneau de commande | 46. Matchstick Holder
Portacerillos
Porte-allumette |
| 15. Disposable Drip Pan
Bandeja de goteo desechable
Egouttoir jetable | 31. Sear Burner Heat Shield
Pantalla contra el calor del quemador para dorar
Protection anti-chaleur du brûleur Sear | 47. Locking Caster
Rueda giratoria con bloqueo
Roulette à verrouillage |
| 16. Catch Pan
Plato recolector
Egouttoir | 32. Igniter Button
Botón de encendido
Bouton de l'allumeur | |

WARRANTY

Weber-Stephen Products Co. (Weber) hereby warrants to the ORIGINAL PURCHASER of this Weber® gas grill that it will be free of defects in material and workmanship from the date of purchase as follows:

Aluminum castings:	25-years (2 years on paint; excludes fading)
Stainless steel shroud:	25-years
Porcelain-enameled shroud:	25-years
Stainless steel burners tubes:	10-years
Stainless steel cooking grates:	5-years no rust through or burn through
Stainless steel Flavorizer® bars:	5-years no rust through or burn through
Porcelain-enameled cast-iron cooking grates:	5-year no rust through or burn through
Porcelain-enameled cooking grates:	3-years no rust through or burn through
Porcelain-enameled Flavorizer® bars:	2-years no rust through or burn through
Infrared rotisserie burner:	2-years
All remaining parts:	2-years

when assembled and operated in accordance with the printed instructions accompanying it. Weber may require reasonable proof of your date of purchase. THEREFORE, YOU SHOULD RETAIN YOUR SALES SLIP OR INVOICE.

This Limited Warranty shall be limited to the repair or replacement of parts that prove defective under normal use and service and which on examination shall indicate, to Weber's satisfaction, they are defective. Before returning any parts, contact the Customer Service Representative in your area using the contact information on our website. If Weber confirms the defect and approves the claim, Weber will elect to replace such parts without charge. If you are required to return defective parts, transportation charges must be prepaid. Weber will return parts to the purchaser, freight or postage prepaid.

This Limited Warranty does not cover any failures or operating difficulties due to accident, abuse, misuse, alteration, misapplication, vandalism, improper installation or improper maintenance or service, or failure to perform normal and routine maintenance, including but not limited to damage caused by insects within the burner tubes, as set out in this owner's manual.

Deterioration or damage due to severe weather conditions such as hail, hurricanes, earthquakes or tornadoes, discoloration due to exposure to chemicals either directly or in the atmosphere, is not covered by this Limited Warranty.

There are no other express warrants except as set forth herein and any applicable implied warranties of merchantability and fitness are limited in duration to the period of coverage of this express written Limited Warranty. Some regions do not allow limitation on how long an implied warranty lasts, so this limitation may not apply to you.

Weber is not liable for any special, indirect or consequential damages. Some regions do not allow the exclusion or limitation of incidental or consequential damages, so this limitation or exclusion may not apply to you.

Weber does not authorize any person or company to assume for it any other obligation or liability in connection with the sale, installation, use, removal, return, or replacement of its equipment; and no such representations are binding on Weber.

This Warranty applies only to products sold at retail.

WEBER-STEPHEN PRODUCTS CO.

**Customer Service Center
1890 Roselle Road, Suite 308
Schaumburg, IL 60195
USA**

**For replacement parts call:
1-800-446-1071**

Visit www.weber.com®, select your country of origin, and register your grill today. ♦

GENERAL INSTRUCTIONS

Your Weber® gas barbecue is a portable outdoor cooking appliance. With the Weber® gas barbecue you can grill, barbecue, roast and bake with results that are difficult to duplicate with indoor kitchen appliances. The closed lid and Flavorizer® bars produce that “outdoor” flavor in the food.

The Weber® gas barbecue is portable so you can easily change its location in your yard or on your patio. Portability means you can take your Weber® gas barbecue with, if you move.

Liquid Propane (LP) gas supply is easy to use and gives you more cooking control than charcoal fuel.

- These instructions will give you the minimum requirements for assembling your Weber® gas barbecue. Please read the instructions carefully before using your Weber® gas barbecue. Improper assembly can be dangerous.
- Not for use by children.
- If there are local codes that apply to portable gas grills, you will have to conform to them. Installation must conform with local codes or, in the absence of local codes, with either the National Fuel Gas Code, ANSI Z223.1/NFPA 54, Natural Gas and Propane Installation Code, CSA B149.1, or Propane Storage and Handling Code, B149.2, or the Standard for Recreational Vehicles, ANSI A 119.2/NFPA 1192, and CSA Z240 RV Series, Recreational Vehicle Code, as applicable.
- The pressure regulator supplied with the Weber® gas barbecue must be used. This regulator is set for 11 inches of water column (pressure).
- This Weber® gas barbecue is designed for use with liquid propane (LP) gas only. Do not use with natural (piped in city) gas. The valves, orifices, hose and regulator are for LP gas only.
- Do not use with charcoal fuel.
- Check that the area under the control panel and the slide out grease tray are free from debris that might obstruct the flow of combustion or ventilation air.
- The areas around the LP cylinder must be free and clear from debris.
- Replacement pressure regulators and hose assemblies must be those specified by Weber-Stephen Products Co. ♦

CANADIAN INSTALLATION

These instructions, while generally acceptable, do not necessarily comply with the Canadian Installation codes, particularly with piping above and below ground. In Canada the installation of this appliance must comply with local codes and/or Standard CSA-B149.2 (Propane Storage and Handling Code). ♦

OPERATING

- ⚠ **WARNING: Only use this barbecue outdoors in a well-ventilated area. Do not use in a garage, building, breezeway or any other enclosed area.**
- ⚠ **WARNING: Keep ventilation openings for cylinder enclosure free and clear from debris.**
- ⚠ **WARNING: Your Weber® gas barbecue shall not be used under overhead combustible construction.**
- ⚠ **WARNING: Your Weber® gas barbecue is not intended to be installed in or on recreational vehicles and/or boats.**
- ⚠ **WARNING: Do not use the barbecue within 24 inches of combustible materials.**
- ⚠ **WARNING: The entire cookbox gets hot when in use. Do not leave unattended.**
- ⚠ **WARNING: Keep electrical supply cord and the fuel supply hose away from heated surfaces.**
- ⚠ **WARNING: Keep the cooking area clear of flammable vapors and liquids such as gasoline, alcohol, etc., and combustible materials.**
- ⚠ **WARNING: Never store an extra (spare) LP cylinder under or near the Weber® gas barbecue.**
- ⚠ **WARNING: The LP cylinder used with your barbecue must be with a listed OPD (Overfilling Prevention Device) and a QCC1 or Type 1 (CGA810) cylinder connection. The cylinder connection must be compatible with the barbecue connection.** ♦

STORAGE AND/OR NONUSE

- The gas must be turned off at the liquid propane cylinder when the Weber® gas barbecue is not in use.
- When the Weber® gas barbecue is stored indoors, the gas supply must be DISCONNECTED and the LP cylinder stored outdoors in a well-ventilated space.
- LP cylinder must be stored outdoors in a well-ventilated area out of reach of children. Disconnected LP cylinder must not be stored in a building, garage or any other enclosed area.
- When the LP cylinder is not disconnected from the Weber® gas barbecue, the appliance and LP tank must be kept outdoors in a well-ventilated space.
- The Weber® gas barbecue should be checked for gas leaks and any obstructions in the burner tubes before using. (Refer to “MAINTENANCE/ANNUAL MAINTENANCE”).
- Check that the areas under the control panel and the drip tray are free from debris that might obstruct the flow of combustion or ventilation air.
- The Spider/Insect screens should also be checked for any obstructions. (Refer to “MAINTENANCE/ANNUAL MAINTENANCE”). ♦

GAS INSTRUCTIONS

SAFE HANDLING TIPS FOR LIQUID PROPANE GAS CYLINDERS

- Liquid Propane (LP) gas is a petroleum product as are gasoline and natural gas. LP gas is a gas at regular temperatures and pressures. Under moderate pressure, inside a cylinder, LP gas is a liquid. As the pressure is released, the liquid readily vaporizes and becomes gas.
- LP gas has an odor similar to natural gas. You should be aware of this odor.
- LP gas is heavier than air. Leaking LP gas may collect in low areas and prevent dispersion.
- To fill, take the LP cylinder to a gas propane dealer, or look up “gas-propane” in the phone book for other sources of LP gas.

⚠ WARNING: We recommend that your LP cylinder be filled at an authorized LP gas dealer, by a qualified attendant, who fills the tank by weight. IMPROPER FILLING IS DANGEROUS.

- Air must be removed from a new LP cylinder before the initial filling. Your LP dealer is equipped to do this.
- The LP cylinder must be installed, transported and stored in an upright position. LP cylinders should not be dropped or handled roughly.
- Never store or transport the LP cylinder where temperatures can reach 125° F (too hot to hold by hand - for example: do not leave the LP cylinder in a car on a hot day).

Note: A refill will last about 18-20 hours of cooking time at normal use. The fuel scale, a feature on some of our grills, will indicate the propane supply so you can refill before running out. You do not have to run out before you refill.

- Treat “empty” LP cylinders with the same care as when full. Even when the LP tank is empty of liquid there still may be gas pressure in the cylinder. Always close the cylinder valve before disconnecting.

⚠ CAUTION: Place dust cap on cylinder valve outlet whenever the cylinder is not in use. Only install the type of dust cap on the cylinder valve outlet that is provided with the cylinder valve. Other types of caps or plugs may result in leakage of propane.

- Do not use a damaged LP cylinder. Dented or rusty LP cylinders or LP cylinders with a damaged valve may be hazardous and should be replaced with a new one immediately.
- The joint where the hose connects to the LP cylinder must be leak tested each time the LP cylinder is reconnected. For example, test each time the LP cylinder is refilled.
- Be sure the regulator is mounted with the small vent hole pointed downward so that it will not collect water. This vent should be free of dirt, grease, bugs etc.
- The gas connections supplied with your Weber® gas appliance have been designed and tested to meet 100% CSA and ANSI requirements.

⚠ WARNING: Replacement LP tanks must match the regulator connection supplied with this Weber® gas appliance.

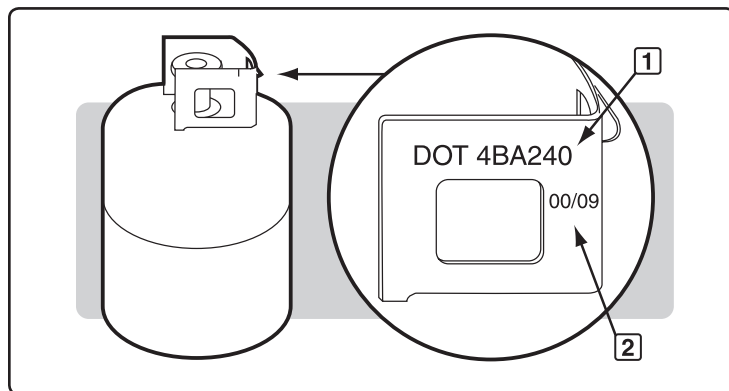
Liquid Propane Cylinder Requirements

- Check to be sure cylinders have a D.O.T. certification (1), and date tested (2) is within five years of use. Your LP gas supplier can do this for you.
- All LP tank supply systems must include a collar to protect the cylinder valve.
- The LP cylinder must be a 20-lb. size approximately 18¼ inches high, 12¼ inches in diameter.
- The cylinder must be constructed and marked in accordance with the Specifications for LP - Gas Cylinders of the U.S. Department of Transportation (D.O.T.) or the National Standard of Canada, CAN/CSA-B339, Cylinders, Spheres and Tubes or Transportation of Dangerous Goods; and Commission, as applicable.

Canadian Liquid Propane Cylinder Requirements

Note: Your retailer can help you match a replacement tank to your barbecue.

- The LP cylinder must be constructed and marked in accordance with the specifications for LP gas cylinders, T.C. ♦



GAS INSTRUCTIONS

IMPORTANT LP CYLINDER INFORMATION

⚠ DANGER

NEVER store a spare LP cylinder under or near Weber® gas appliances. **NEVER** fill the tank beyond 80% full. Failure to follow these statements exactly may result in a fire causing death or serious injury.

Weber® gas appliances are equipped for a cylinder supply system designed for vapor withdrawal.

⚠ WARNING: Only use Weber® gas appliances outdoors in a well-ventilated area. Do not use in a garage, building, breezeway or any other enclosed area.

The proper filling methods for the filling of your cylinder are by weight or volume, as described in NFPA 58. Please make sure your filling station fills your LP cylinder by weight or volume. Ask your filling station to read purging and filling instructions on the LP cylinder before attempting to fill. ♦

LEAK CHECK PREPARATION

Check That All Burner Valves Are Off

Valves are shipped in the OFF position, but you should check to be sure that they are turned off. Check by pushing down and turning clockwise. If they do not turn, they are off. If they do turn, continue turning them clockwise until they stop, then they are off.

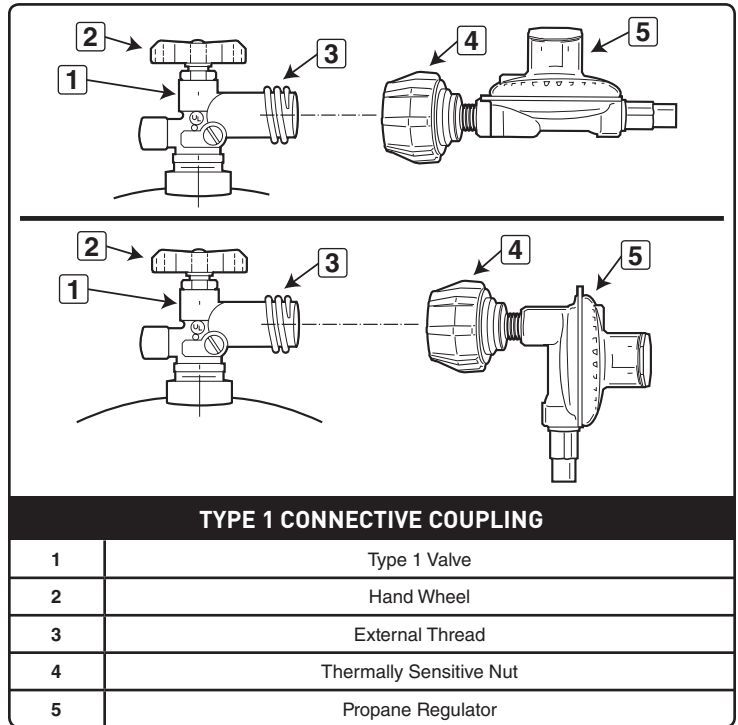
The Liquid Propane Cylinder

All Weber® liquid propane gas grill regulators are equipped with a UL-Listed tank connection as per the latest edition of ANSI Z21.58. This will require a liquid propane tank that is similarly equipped with a Type 1 connection in the tank valve. This Type 1 coupling allows you to make a fast and totally safe hookup between your gas grill and your liquid propane tank. It eliminates the chance of leaks due to a POL fitting that is not properly tightened. Gas will not flow from the tank unless the Type 1 coupling is fully engaged into the coupling.

⚠ WARNING: Make sure that the LP cylinder valve is closed. Close by turning valve clockwise.

⚠ DANGER

Do not use an open flame to check for gas leaks. Be sure there are no sparks or open flames in the area while you check for leaks. Sparks or flames will result in a fire or explosion which can cause serious bodily injury or death, and damage to property.



GAS INSTRUCTIONS

- A) Open base cabinet doors. Bring regulator and hose forward out of cabinet (1).
- B) Locate hose retention clip (2) on regulator hose. Secure into slot (3) on underside of tank scale.

⚠ WARNING: The hose must be secured to the tank scale with the Hose Retention Clip. Failure to do so could cause damage to the hose resulting in a fire or explosion which can cause serious bodily injury or death, and damage to property.

Some LP tanks have differing top collar assemblies. (The top collar is the metal protective ring around the valve.) One series of tanks mount with the valve facing front (4). The other tanks mount with the valve facing away from the fuel scale (5). Weber recommends the use of cylinder manufacturer's Manchester and Worthington, with a 47.6 lb water capacity. Other cylinders may be acceptable for use with the appliance provided they are compatible with the appliance retention means (see illustrations).

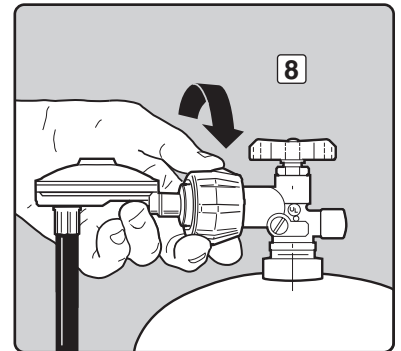
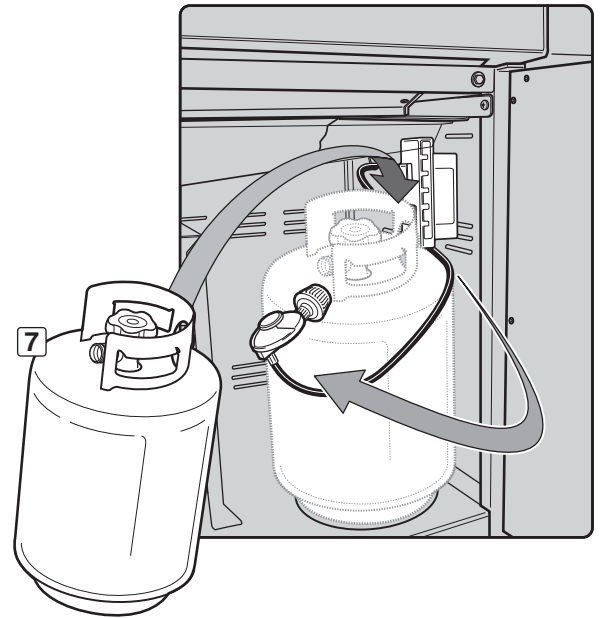
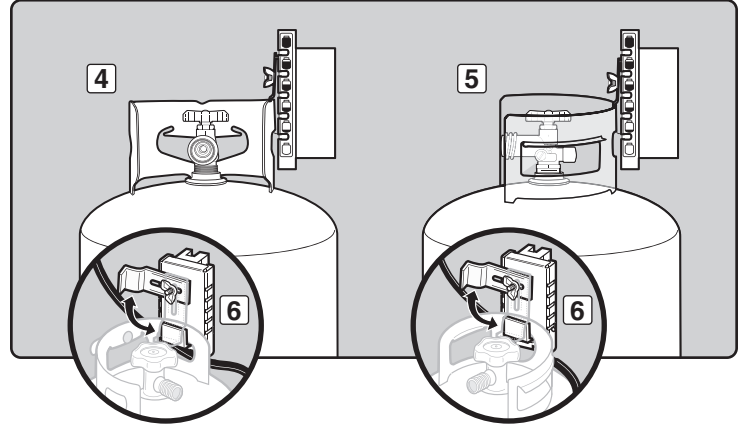
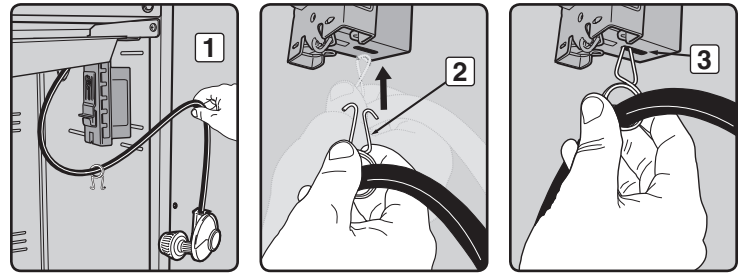
- The LP cylinder is installed inside the base cabinet, on the tank scale (right side).
- C) Loosen cylinder lock wing nut. Swing cylinder lock up (6).
- D) Turn the LP cylinder so the opening of the valve is either to the front or side of the Weber® gas barbecue.
- E) Lift tank up into position on the tank scale (7).
- F) Swing the cylinder lock down. Tighten the wing nut.

Connect The Hose To The Cylinder

- A) Remove the plastic dust cover from the valve.
- B) Screw the regulator coupling onto the tank valve, clockwise, or to the right (8). Hand-tighten only.

Note: This connection tightens clockwise and will not allow gas to flow unless the connection is tight. The connection requires tightening by hand only.

⚠ WARNING: Do not use a wrench to tighten the connection. Using a wrench could damage the regulator coupling and could cause a leak. ♦



GAS INSTRUCTIONS

Remove Control Knobs & Control Panel For Leak Testing

You will need: Phillips screwdriver.

- A) Remove control knobs, igniter button, retention nut, and battery (1).
- B) Remove screws from wind deflector with a Phillips screwdriver (2).
- C) Tilt end of wind deflector down and slide wind deflector away to remove (3).
- D) Let igniter module dangle from wires. Do not disconnect (4).
- E) Remove screws from underside of control panel with Phillips screwdriver (5).
- F) Lift control panel up slightly, tilt up front edge and gently lift up (6).
- G) Replace control panel and wind deflector when leak check is completed. ♦

CHECK FOR GAS LEAKS

⚠ DANGER

Do not use an open flame to check for gas leaks. Be sure there are no sparks or open flames in the area while you check for leaks. Sparks or open flames will result in a fire or explosion, which can cause serious bodily injury or death and damage to property.

Note: All factory-made connections have been thoroughly checked for gas leaks. The burners have been flame-tested. As a safety precaution however, you should recheck all fittings for leaks before using your Weber® gas barbecue. Shipping and handling may loosen or damage a gas fitting.

- ⚠ **WARNING: The gas connections of your gas grill have been factory tested. We do however recommend that you leak check all gas connections before operating your gas grill.**
- ⚠ **WARNING: Perform these leak checks even if your barbecue was dealer or store assembled.**

If your grill has a side burner make sure the side burner is turned off.

Turn on gas supply at source.

- ⚠ **WARNING: Do not ignite burners when leak checking.**

You will need: A soap and water solution and a rag or brush to apply it.

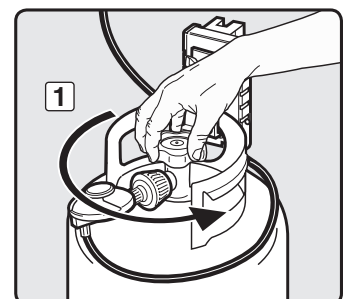
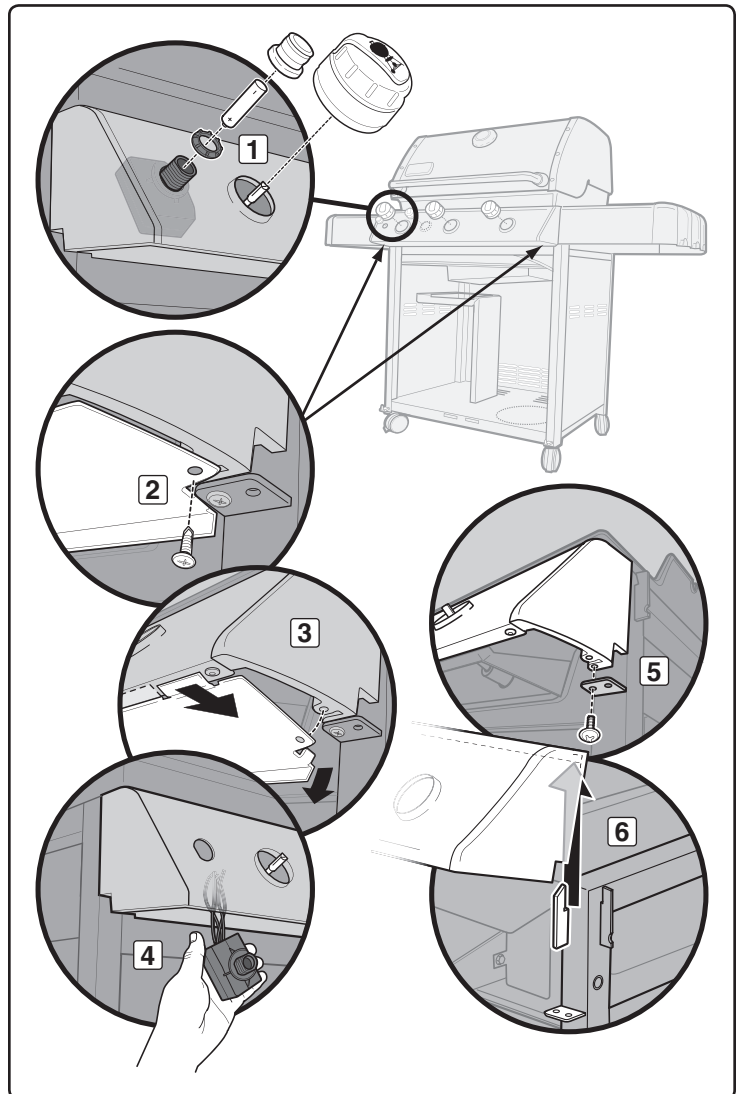
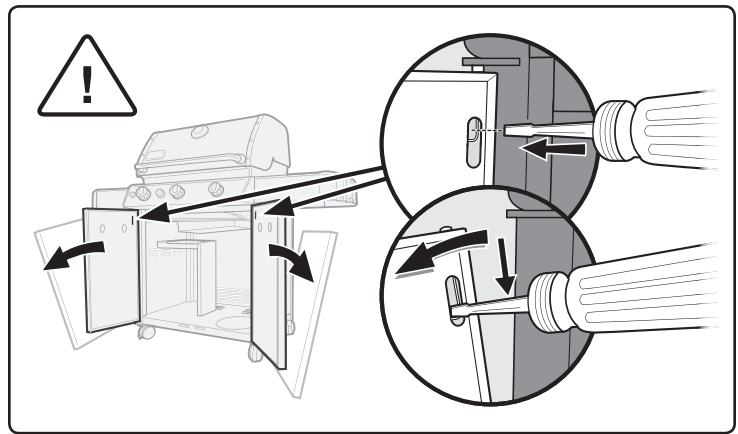
- A) Mix soap and water.
- B) Turn on gas supply (1).
- C) Check for leaks by wetting the fitting with the soap and water solution and watching for bubbles. If bubbles form, or if a bubble grows, there is a leak.

If there is a leak, turn off the gas and tighten the fitting. Turn the gas back on and recheck with the soap and water solution. If leak does not stop do not use the barbecue. Contact the customer service representative in your area using the contact information on our web site. Log onto www.weber.com.

- D) When leak checking is complete, turn gas supply off at the source and rinse connections with water.

Note: Since some leak test solutions, including soap and water, may be slightly corrosive, all connections should be rinsed with water after checking for leaks.

- ⚠ **WARNING: You should check for gas leaks every time you disconnect and reconnect a gas fitting.**



GAS INSTRUCTIONS

Check

- A) Regulator hose to bulkhead connection (1).
- B) Main gas line to bulkhead connection (2).
- C) Main gas line to manifold connections (3).
- D) Side burner gas line to manifold connection (4).
- E) Side burner pipe fitting to side burner cup (5).
- F) Side burner pipe fitting to side burner valve connections (6).

⚠ WARNING: If there is a leak at connection (1, 2, 3, 4, 5, or 6), retighten the fitting with a wrench and recheck for leaks with soap and water solution. If a leak persists after re-tightening the fitting, turn OFF the gas. DO NOT OPERATE THE GRILL. Contact the Customer Service Representative in your area using the contact information on our web site. Log onto www.weber.com.

- G) Side burner quick disconnect connection (7).
- H) Regulator hose to cylinder connection (8).
- I) Regulator hose to regulator connection (9).
- J) Valves to manifold connections (10).

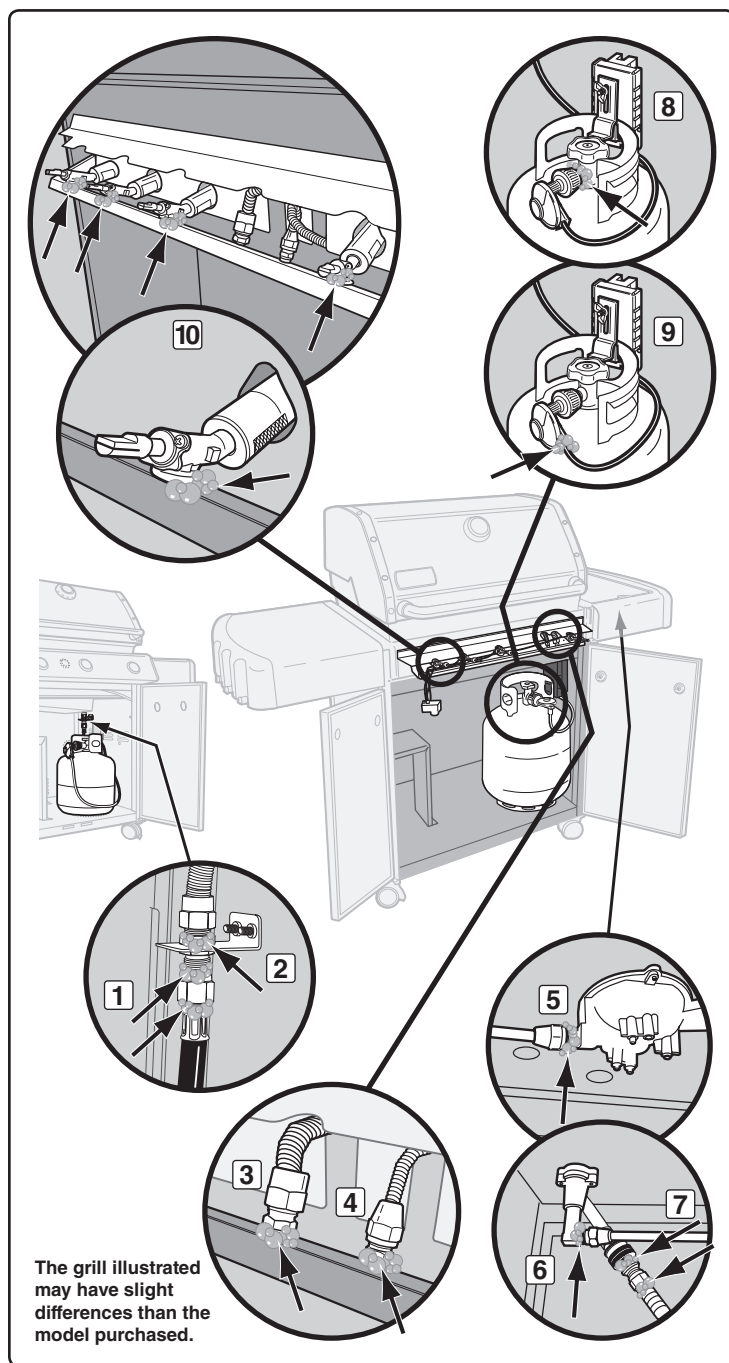
⚠ WARNING: If there is a leak at connections (7, 8, 9 or 10), turn OFF the gas. DO NOT OPERATE THE GRILL. Contact the Customer Service Representative in your area using the contact information on our web site. Log onto www.weber.com.

When leak checks are complete, turn gas supply OFF at the source and rinse connections with water.

Reinstall Control Panel

You will need: Phillips screwdriver.

- A) Position top edge of control panel on tabs of frame. Push down into position.
- B) Reinstall igniter module.
- C) Slide both shorter wind deflector tabs toward inside edge of control panel while you slide longer tab over outside edge. Seek previous illustrations for reference.
- D) Line up screws with screw holes on both control panel bracket and frame.
- E) Tighten screws.
- F) Place corresponding control knobs onto valve stems. ♦



REFILLING THE LIQUID PROPANE CYLINDER

We recommend that you refill the LP cylinder before it is completely empty.

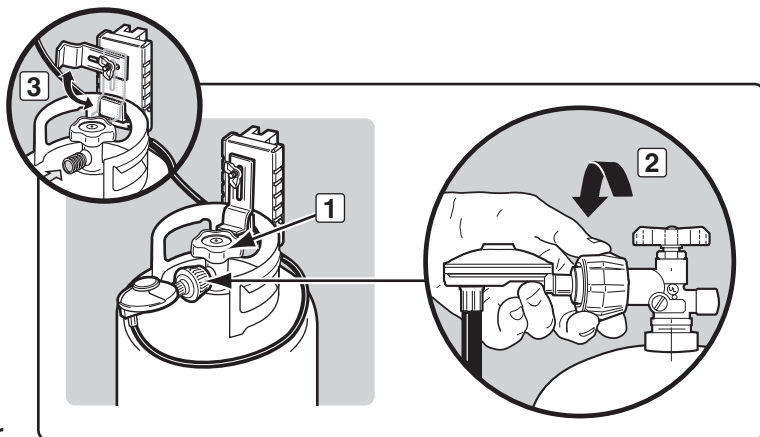
Removal of the LP cylinder:

- A) Close cylinder valve (turn clockwise) (1).
- B) Unscrew regulator coupling by turning counterclockwise, by hand only (2).
- C) Loosen cylinder lock wing nut and turn cylinder lock up out of the way (3).
- D) Lift cylinder off.

To fill, take the LP cylinder to a gas propane dealer, or look up "gas-propane" in the phone book for other sources of LP gas.

⚠ WARNING: We recommend that your LP cylinder be filled at an authorized LP gas dealer, by a qualified attendant, who fills the cylinder by weight. IMPROPER FILLING IS DANGEROUS.

⚠ CAUTION: Place dust cap on cylinder valve outlet whenever the cylinder is not in use. Only install the type of dust cap on the cylinder valve outlet that is provided with the cylinder valve. Other types of caps or plugs may result in leakage of propane. ♦

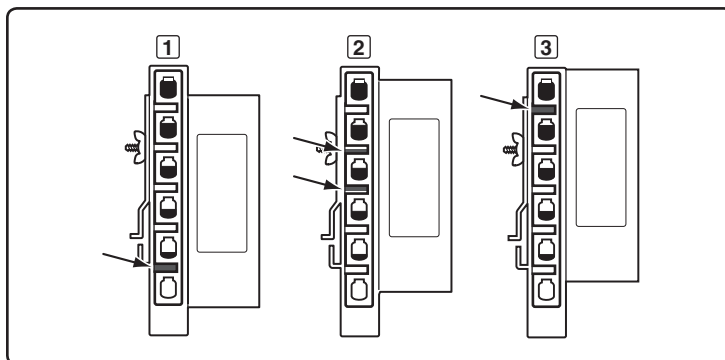


BEFORE USING THE GRILL

FUEL LEVEL

Check the fuel level by viewing the color indicator level line, located on the side of the tank scale.

- A) Empty (1)
- B) Medium (2)
- C) Full (3) ♦



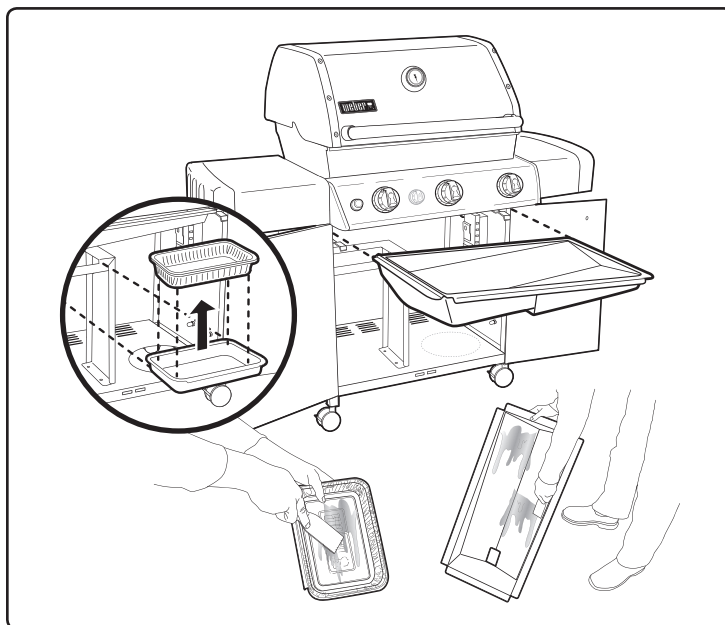
SLIDE OUT GREASE TRAY AND DISPOSABLE DRIP PAN

Your grill was built with a grease collection system. Check the slide out grease tray and disposable drip pan for grease build-up each time you use your grill.

Remove excess grease with a plastic spatula; see illustration. When necessary, wash the grease tray and drip pan with a soap and water solution, then rinse with clean water. Replace the disposable drip pan as needed.

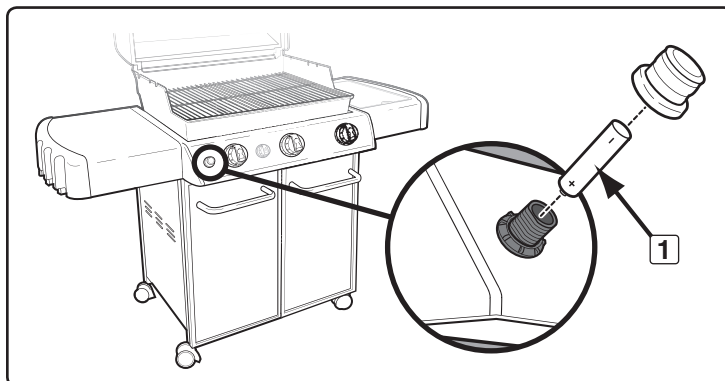
⚠ WARNING: Check the slide out grease tray and disposable drip pan for grease build-up before each use. Remove excess grease to avoid a grease fire. A grease fire can cause serious bodily injury or damage to property.

⚠ CAUTION: Do not line the slide out grease tray with aluminum foil. ♦



ELECTRONIC IGNITER INSPECTION

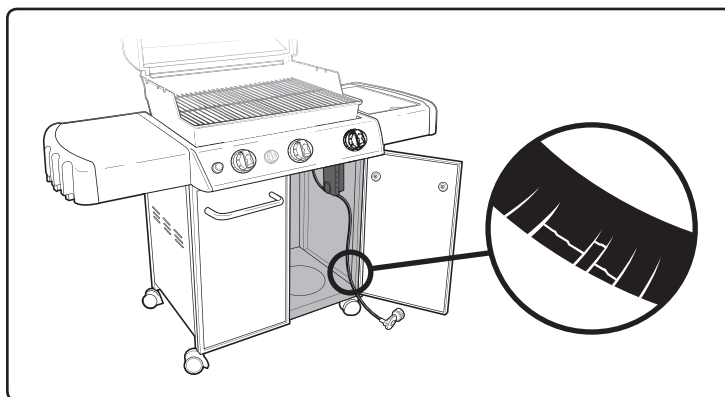
Verify that your AA battery (alkaline only) is in good condition and that it is installed correctly (1). Some batteries have a plastic protective wrap around them. This plastic must be removed. Do not confuse this plastic with the battery label. ♦



HOSE INSPECTION

The hose should be inspected for any signs of cracking.

⚠ WARNING: Check hose before each use of barbecue for nicks, cracking, abrasions or cuts. If the hose is found to be damaged in any way, do not use the barbecue. Replace using only Weber® authorized replacement hose. Contact the Customer Service Representative in your area using the contact information on our web site. Log onto www.weber.com®. ♦



MAIN BURNER IGNITION & USAGE

MAIN BURNER IGNITION

Summary lighting instructions are inside the left hand cabinet door.

⚠ DANGER

Failure to open the lid while igniting the barbecue's burners, or not waiting five minutes to allow the gas to clear if the barbecue does not light, may result in an explosive flare-up which can cause serious bodily injury or death.

Electronic Ignition System

Note: Each control knob operates an individual burner. The Electronic Ignition System ignites a burner with a spark from the igniter electrode inside the Gas Catcher™ ignition chamber. You generate the energy for the spark by pushing the electronic ignition button. You will hear it clicking.

⚠ **WARNING:** Check hose before each use of barbecue for nicks, cracking, abrasions or cuts. If the hose is found to be damaged in any way, do not use the barbecue. Replace using only Weber® authorized replacement hose. Contact the Customer Service Representative in your area using the contact information on our web site. Log onto www.weber.com®.

- A) Open the lid (1).
- B) Make sure all burner control knobs are turned off (2). (Push control knob in and turn clockwise to ensure that it is in the OFF position.)

⚠ **WARNING:** The burner control knobs must be in the OFF position before turning on the LP cylinder valve. If they are not in the OFF position, when you turn on the LP cylinder valve, the “excess gas flow control” feature will activate, limiting the flow of gas from the LP cylinder. If this should occur, turn OFF the LP cylinder valve and burner control knobs. Start over.

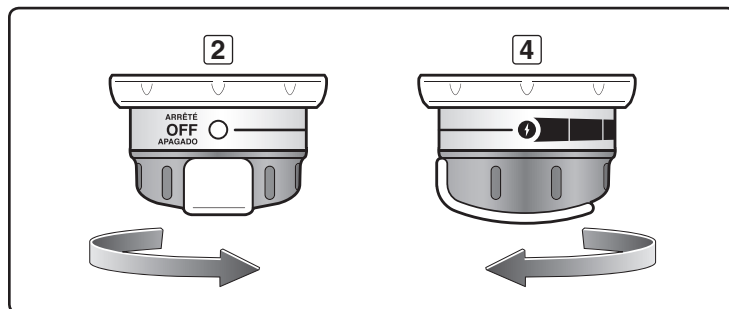
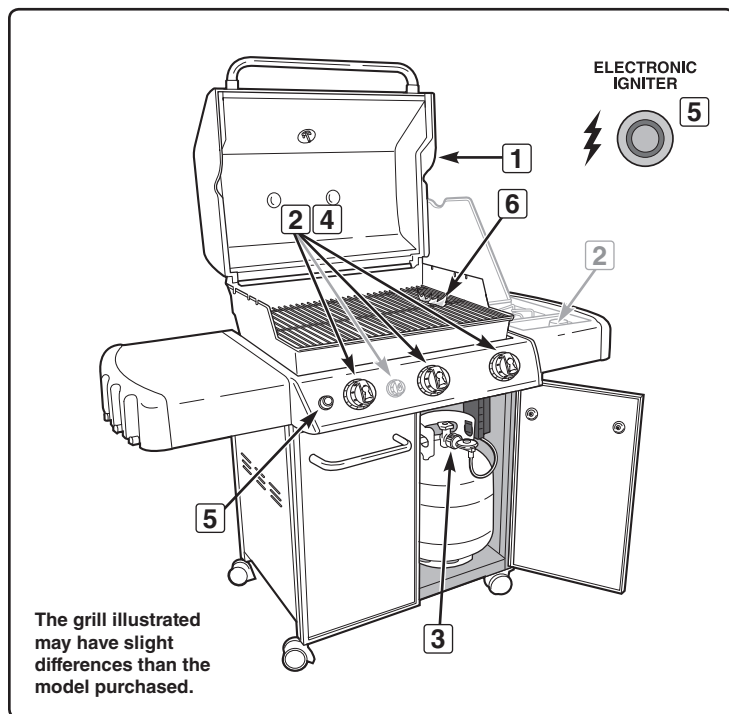
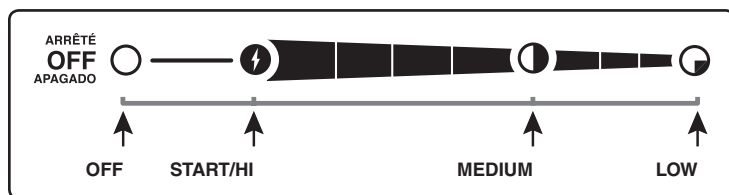
⚠ DANGER

When the “excess gas flow control” feature is activated, a small amount of gas is still flowing to the burners. After turning off the LP cylinder valve and burner control knobs, wait at least five minutes for the gas to clear before attempting to light the grill. Failure to do so may result in an explosive flare-up, which can cause serious bodily injury or death.

- C) Turn the cylinder on by slowly turning the cylinder valve counterclockwise (3).
- ⚠ **WARNING:** Do not lean over the open barbecue.
- D) Push control knob in and turn to START/HI (4).
- E) Push and hold the electronic ignition button. You will hear it clicking (5).
- F) Check that the burner is lit by looking through the cooking grates. You should see a flame (6).
- ⚠ **WARNING:** If the burner does not light in five seconds, stop, turn the control knob to OFF and wait five minutes to let the gas clear before you try again or try to light with a match.
- G) To light remaining burners follow steps D through F. ♦

TO EXTINGUISH

Push in and turn each burner control knob clockwise to the OFF position. Turn gas supply off at the source. ♦



MAIN BURNER IGNITION & USAGE

MAIN BURNER MANUAL IGNITION

⚠ DANGER

Failure to open the lid while igniting the barbecue's burners, or not waiting five minutes to allow the gas to clear if the barbecue does not light, may result in an explosive flare-up which can cause serious bodily injury or death.

- A) Open the lid (1).
- B) Make sure all burner control knobs are turned off (2). (Push control knob in and turn clockwise to ensure that it is in the OFF position.)

⚠ **WARNING:** The burner control knobs must be in the OFF position before turning on the LP cylinder valve. If they are not in the OFF position, when you turn on the LP cylinder valve, the "excess gas flow control" feature will activate, limiting the flow of gas from the LP cylinder. If this should occur, turn off the LP cylinder valve and burner control knobs. Start over.

⚠ DANGER

When the "excess gas flow control" feature is activated, a small amount of gas is still flowing to the burners. After turning off the cylinder and burner control knobs, wait at least five minutes for the gas to clear before attempting to light the barbecue. Failure to do so may result in an explosive flare-up, which can cause serious bodily injury or death.

- C) Turn the cylinder on by slowly turning the cylinder valve counterclockwise (3).
- D) Put match in the match holder and strike match.
- E) Insert match holder with lit match down through cooking grates and Flavorizer® bars to ignite the selected burner (4).

⚠ **WARNING:** Do not lean over open barbecue.

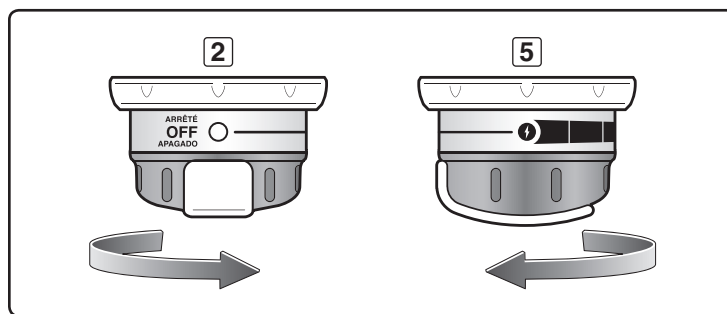
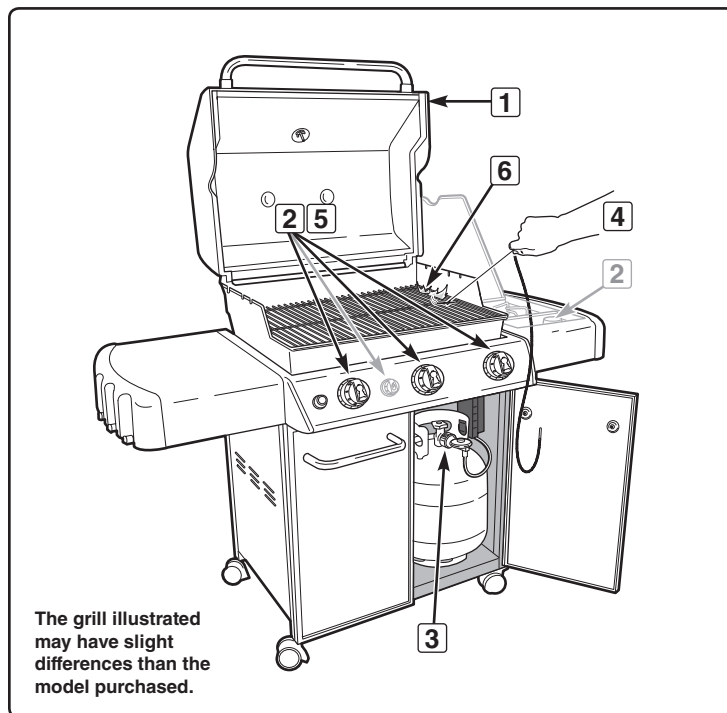
- F) Push control knob in and turn to START/HI (5).
- G) Check that the burner is lit by looking through the cooking grates. You should see a flame (6).

⚠ **WARNING:** If the burner does not light in five seconds, stop, turn the control knob to OFF and wait five minutes to let the gas clear before you try again or try to light with a match.

- H) To light remaining burners follow steps D through G. ♦

TO EXTINGUISH

Push in and turn each burner control knob clockwise to the OFF position. Turn gas supply off at the source. ♦



SEAR STATION® IGNITION & USAGE (330 MODEL)

SEAR STATION® BURNER IGNITION

The 330 model includes a sear burner. The sear burner also operates as an individual burner. Therefore, ignition of the sear burner is the same as ignition of the main burner. To ignite the sear burner refer to "MAIN BURNER IGNITION:" ♦

SEAR STATION® BURNER MANUAL IGNITION

To manually ignite the sear burner refer to "MAIN BURNER MANUAL IGNITION:" ♦

USING THE SEAR STATION®

Your Weber® gas barbecue includes a sear burner for searing meats such as steak, poultry parts, fish, and chops.

Searing is a direct grilling technique which browns the surface of the food at a high temperature. By searing or browning both sides of the meat you will create a more desirable flavor by caramelizing the food surface. Searing will also enhance appearance of the meat with sear marks from the cooking grates. This along with the contrast of textures and flavors can make food more interesting to the palate.

The Sear Station® burner has an OFF, START/HI, and LOW control setting that works with the Left and Center burners. With the sear and adjacent burners you can effectively sear meats while using the Right burner cooking area for grilling with moderate heat.

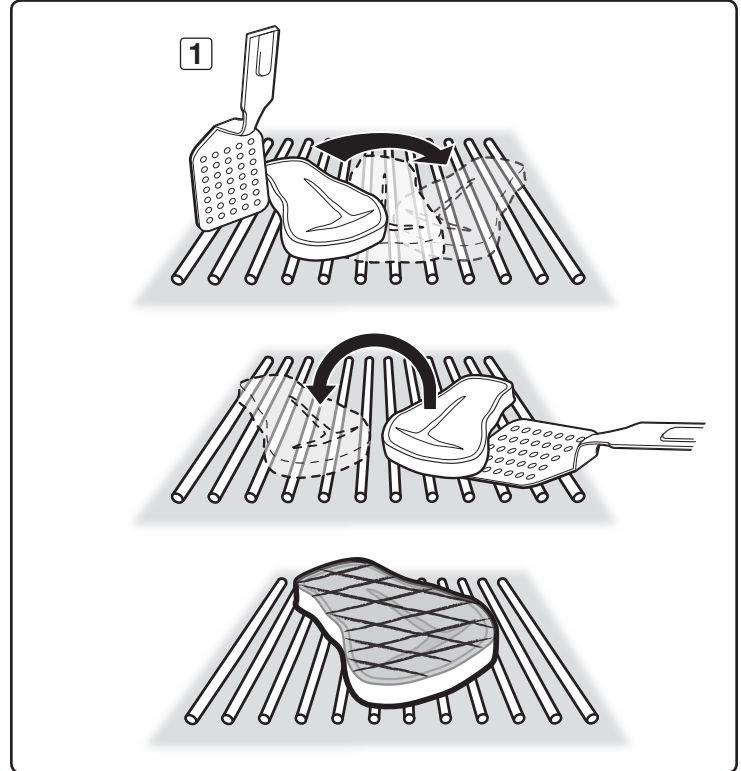
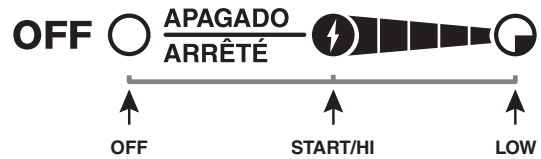
Before searing you should turn all of the main burners on HI for 15 minutes to preheat the grill. Always grill with the lid closed to allow for maximum heat and to avoid flare ups.

Once the grill is preheated, turn the Right burner off or down. Leave the Left and Center burners on HI and ignite the Sear Station® burner.

Place the meat directly over the Sear Station®. You will sear each side anywhere from 1 to 4 minutes, depending on the type of meat and thickness. You may turn the food a quarter turn to make crossing sear marks (1) before you sear the other side in the same manner.

Once you are done searing you can finish grilling by moving the meat to a more moderate heat over the Right burner to achieve the desired doneness.

As you gain experience in using your Sear Station®, we encourage you to experiment with different searing times to find results that work best for your taste. ♦



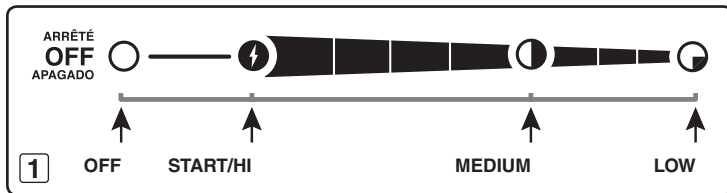
GRILLING TIPS & HELPFUL HINTS

- Always preheat the grill before cooking. Set all burners on HI heat and close lid; heat for 10 minutes, or until thermometer registers 500°-550° F (260°-288°C).
- Sear meats and cook with the lid down for perfectly grilled food every time.
- Grilling times in recipes are based on 70°F (20°C) weather and little or no wind. Allow more cooking time on cold or windy days, or at higher altitudes. Allow less cooking time in extremely hot weather.
- Grilling times can vary because of the weather, or the amount, size and shape of the food being grilled.
- The temperature of your gas grill may run hotter than normal for the first few uses.
- Grilling conditions may require the adjustment of the burner controls to attain the correct cooking temperatures.
- In general, large pieces of meat will require more cooking time per pound than small pieces of meat. Foods on a crowded cooking grate will require more cooking time than just a few foods. Foods grilled in containers, such as baked beans, will require more time if grilled in a deep casserole rather than a shallow baking pan.
- Trim excess fat from steaks, chops and roasts, leaving no more than a scant ¼ inch (6.4mm) of fat. Less fat makes cleanup easier, and is a virtual guarantee against unwanted flare-ups.
- Foods placed on the cooking grate directly above burners may require turning or moving to a less hot area.
- Use tongs rather than a fork for turning and handling meats to avoid losing natural juices. Use two spatulas for handling large whole fish.
- If an unwanted flare-up should occur, turn all burners off and move food to another area of the cooking grate. Any flames will quickly subside. After flames subside, relight the grill. **NEVER USE WATER TO EXTINGUISH FLAMES ON A GAS GRILL.**
- Some foods, such as a casserole or thin fish fillets, will require a container for grilling. Disposable foil pans are very convenient, but any metal pan with ovenproof handles can also be used.
- Always be sure the slide out grease tray and catch pan are clean and free from debris.
- Do not line the slide out grease tray with foil. This could prevent the grease from flowing into the catch pan.
- Using a timer will help to alert you when “well-done” is about to become “over-done.”

Note: If grill loses heat while cooking refer to the troubleshooting section of this manual.

⚠ WARNING: Do not move the Weber® gas barbecue when operating or while barbecue is hot.

You can adjust the individual burners as desired. The control settings (1) are OFF, START/HI, MEDIUM, or LOW.



Note: The temperature inside your cookbox for the first few uses, while surfaces are still very reflective, may be hotter than those shown in your cookbook. Cooking conditions, such as wind and weather, may require the adjustment of the burner controls to obtain the correct cooking temperatures.

If burners go out during cooking, turn off all burners and wait five minutes before relighting. ♦

PREHEATING

Your Weber® gas barbecue is an energy-efficient appliance. It operates at an economical low BTU rate. Preheating the grill before grilling is important. Light your grill according to the instructions in this Owner's Manual. To preheat: after lighting turn all burners to START/HI, close the lid, and heat until the temperature reaches between 500° and 550° F (260° and 290° C), the recommended broiling temperature. This will take 10 to 15 minutes depending on conditions such as air temperature and wind. ♦

COVERED COOKING

All grilling is done with the lid down to provide uniform, evenly circulated heat. With the lid closed, the gas grill cooks much like a convection oven. The thermometer in the lid indicates the cooking temperature inside the grill. All preheating and grilling is done with the lid down. No peeking — heat is lost every time you lift the lid. ♦

DRIPPINGS AND GREASE

The Flavorizer® bars are designed to “smoke” the correct amount of drippings for flavorful cooking. Excess drippings and grease will accumulate in the catch pan under the slide out grease tray. Disposable foil drip pans are available that fit the catch pan.

⚠ WARNING: Check the slide out grease tray and catch pan for grease build-up before each use. Remove excess grease to avoid a grease fire in the slide out grease tray. ♦

FLAVORIZER® SYSTEM

When meat juices drip from the food onto the specially angled Flavorizer® bars, they create smoke that gives foods an irresistible barbecued flavor. Thanks to the unique design of the burners, Flavorizer® bars and the flexible temperature controls, uncontrolled flare-ups are virtually eliminated, because YOU control the flames. Because of the special design of the Flavorizer® bars and burners, excess fats are directed through the slide out grease tray into the grease catch pan. ♦

SEAR STATION®

Your Weber® gas barbecue may include a sear burner for searing thin meats and fish. The Sear Station® burner has an OFF, START/HI, or LOW control setting (2) that works with the two adjacent main burners. With the sear and adjacent burners you can effectively sear meats while using other cooking areas for cooking with moderate heat (Refer to “SEAR STATION® IGNITION & USAGE (330 MODEL)” section). ♦



SIDE BURNER IGNITION & USAGE

SIDE BURNER IGNITION

Summary lighting instructions are inside the left hand cabinet door.

⚠ DANGER

Failure to open the lid while igniting the side burner, or not waiting five minutes to allow the gas to clear if the side burner does not light, may result in an explosive flare-up which can cause serious bodily injury or death.

⚠ **WARNING:** Check hose before each use of barbecue for nicks, cracking, abrasions or cuts. If the hose is found to be damaged in any way, do not use the barbecue. Replace using only Weber® authorized replacement hose. Contact the Customer Service Representative in your area using the contact information on our web site. Log onto www.weber.com®.

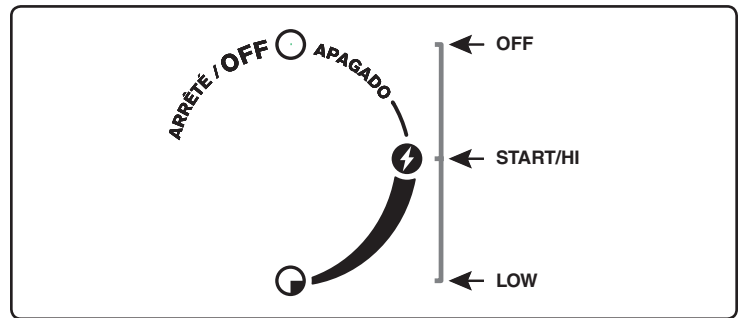
- A) Open the side burner lid (1).
- B) Check that the side burner valve is turned off (2) (Push control knob in and turn clockwise to ensure that it is in the OFF position), turn all burners not being used to the OFF position (push in and turn clockwise).
- C) Turn the gas supply valve on (3).
- D) Push down and turn the side burner control valve to START/HI (4).
- E) Press the igniter button several times so it clicks each time until you see a flame (5).

⚠ **CAUTION:** Side burner flame may be difficult to see on a bright sunny day.

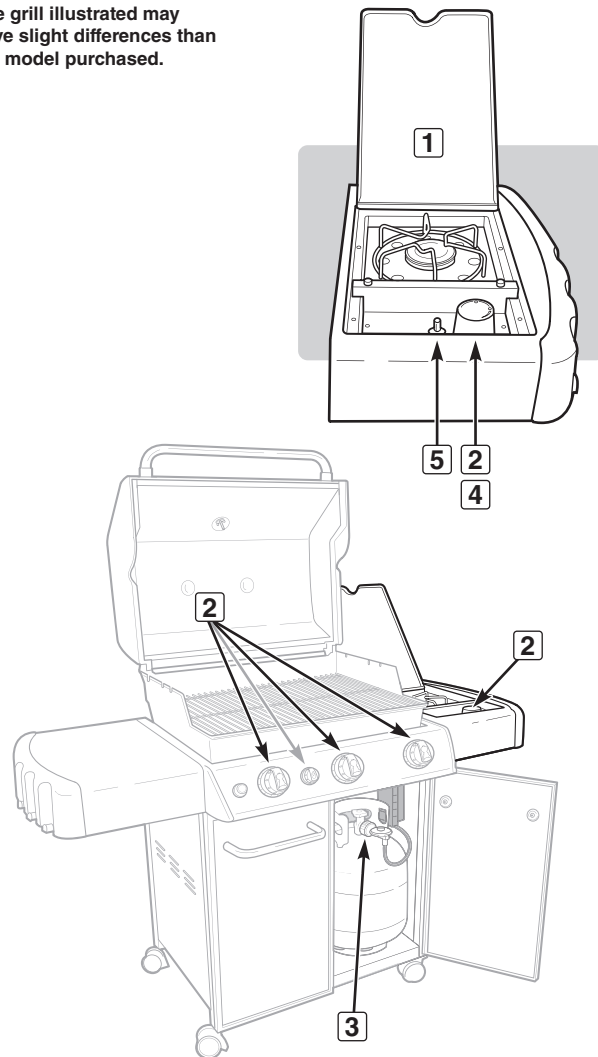
- ⚠ **WARNING:** If the side burner does not light in five seconds:
- a) Turn off the side burner control valve, main burners and gas supply at source.
 - b) Wait five minutes to let the gas clear before you try again, or try lighting with a match (refer to “SIDE BURNER MANUAL IGNITION”). ♦

TO EXTINGUISH

Push down and turn side burner control knob to the OFF position. Be sure the burner is off and cool before closing the side burner lid. ♦



The grill illustrated may have slight differences than the model purchased.



SIDE BURNER IGNITION & USAGE

SIDE BURNER MANUAL IGNITION

⚠ DANGER

Failure to open the lid while igniting the side burner, or not waiting five minutes to allow the gas to clear if the side burner does not light, may result in an explosive flare-up that can cause serious bodily injury or death.

- A) Open the side burner lid (1).
- B) Check that the side burner valve is turned off (2) (Push control knob in and turn clockwise to ensure that it is in the OFF position), turn all burners not being used to the OFF position (push in and turn clockwise).
- C) Turn the gas supply valve on (3).
- D) Put match in a match holder and strike match.
- E) Hold match holder and lit match by either side of the side burner (4).
- F) Push down and turn the side burner control valve to START/Hi (5).

⚠ **CAUTION:** Side burner flame may be difficult to see on a bright sunny day.

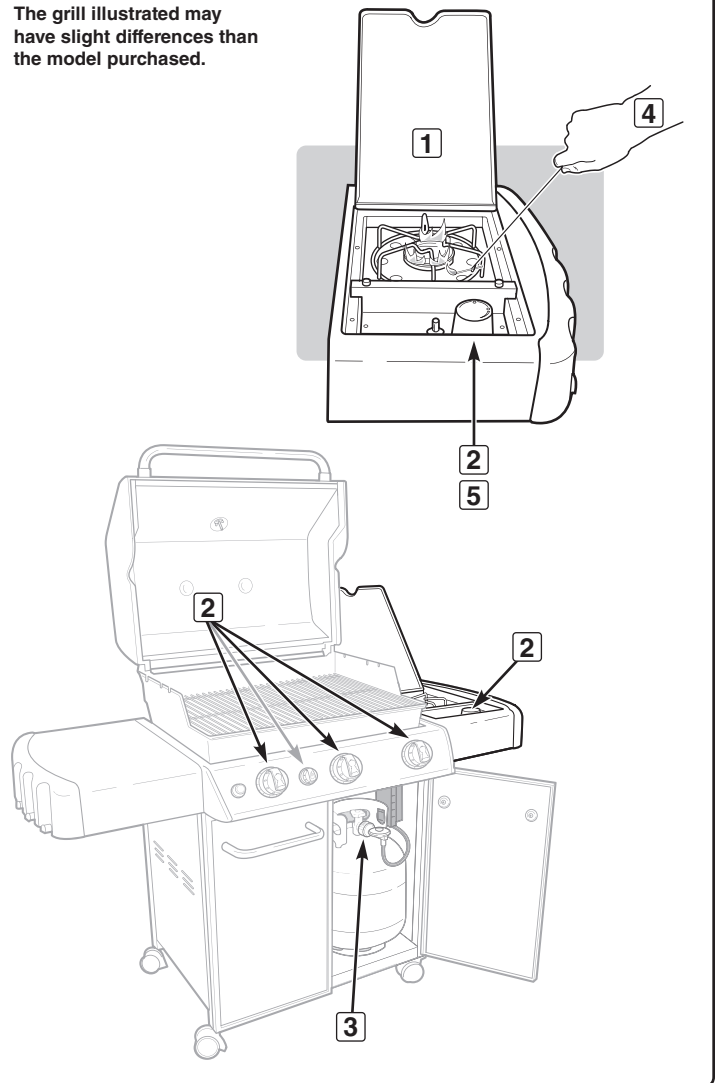
⚠ **WARNING:** If the side burner does not light in five seconds:

- a) Turn off the side burner control valve, main burners and gas supply at source.
- b) Wait five minutes to let the gas clear before you try again. ♦

TO EXTINGUISH

Push down and turn side burner control knob to the OFF position. Be sure the burner is off and cool before closing the side burner lid. ♦

The grill illustrated may have slight differences than the model purchased.



TROUBLESHOOTING

PROBLEM	CHECK	SOLUTION
Burners burn with a yellow or orange flame, in conjunction with the smell of gas.	Inspect Spider/Insect screens for possible obstructions. (Blockage of holes.)	Clean Spider/Insect screens. Refer to "ANNUAL MAINTENANCE".
Symptoms: Burners do not ignite. -or- Burners have a small flickering flame in the HI position. -or- Barbecue temperature only reaches 250° to 300° in the HI position.	The excess flow safety device, which is part of the barbecue to cylinder connection, may have activated.	To reset the excess flow safety device turn all burner control knobs and the cylinder valve off. Disconnect the regulator from the cylinder. Turn burner control knobs to HI. Wait at least 1 minute. Turn burner control knobs to OFF. Reconnect the regulator to the cylinder. Turn cylinder valve on slowly. Refer to "MAIN BURNER IGNITION".
Burner does not light, or flame is low in HI position.	Is LP fuel low or empty?	Refill LP cylinder.
	Is fuel hose bent or kinked?	Straighten fuel hose.
Burner does not ignite when you push the igniter button.	Be sure that there is gas flow to the burners by attempting to match light your burners. Refer to "MAIN BURNER MANUAL IGNITION".	If match lighting is successful, the problem lies in the ignition system. Refer to "ELECTRONIC IGNITION SYSTEM OPERATIONS".
	Is there a fresh battery installed?	Verify that the battery is in good condition and installed correctly. Refer to "ELECTRONIC IGNITER INSPECTION".
	Are the wires connected properly to the ignitor module?	Be sure that wires are correctly inserted into terminals on ignition box. Refer to "ELECTRONIC IGNITION SYSTEM OPERATIONS".
	Is there plastic wrapping around the new battery?	Remove plastic wrapping.
Experiencing flare-ups: ⚠ CAUTION: Do not line the slide out grease tray with aluminum foil.	Are you preheating barbecue in the prescribed manner?	All burners on HI for 10 to 15 minutes for preheating.
	Are the cooking grates, heat deflectors, and Flavorizer® bars heavily coated with burned-on grease?	Clean thoroughly. Refer to "CLEANING".
	Is the slide out grease tray dirty and not allowing grease to flow into catch pan?	Clean slide out grease tray.
Burner flame pattern is erratic. Flame is low when burner is on HI. Flames do not run the whole length of the burner tube.	Are burners clean?	Clean burners. Refer to "MAINTENANCE".
Inside of lid appears to be "peeling." (Resembles paint peeling.)	The inside of the lid is porcelain enamel or stainless steel, and is not painted. It cannot "peel". What you are seeing is baked on grease that has turned to carbon and is flaking off. THIS IS NOT A DEFECT.	Clean thoroughly. Refer to "CLEANING".
Cabinet doors are not aligned.	Check the adjustment pin on the bottom of each door.	Loosen adjustment nut/s. Slide door/s until aligned. Tighten nut.
If problems cannot be corrected by using these methods, please contact the Customer Service Representative in your area using the contact information on our web site. Log onto www.weber.com ®.		

SIDE BURNER TROUBLESHOOTING

PROBLEM	CHECK	SOLUTION
Side Burner does not light.	Is gas supply off? The excess flow safety device, which is part of the barbecue to cylinder connection, may have activated.	Turn supply on. To reset the excess flow safety device turn all burner control knobs and the cylinder valve off. Disconnect the regulator from the cylinder. Turn burner control knobs to START/HI. Wait at least one minute. Turn burner control knobs to OFF. Reconnect the regulator to the cylinder. Turn cylinder valve on slowly. Refer to "SIDE BURNER IGNITION".
Flame is low in HI position.	Is the fuel hose bent or kinked?	Straighten hose.
Push button ignition does not work.	Does burner light with a match?	If match lights burner, check igniter. Refer to "SIDE BURNER MAINTENANCE".
If problems cannot be corrected by using these methods, please contact the Customer Service Representative in your area using the contact information on our web site. Log onto www.weber.com ®.		

MAINTENANCE

CLEANING

⚠ **WARNING:** Turn your Weber® gas barbecue off and wait for it to cool before cleaning.

⚠ **CAUTION:** Do not clean your Flavorizer® bars or cooking grates in a self-cleaning oven.

Outside surfaces - Use a warm soapy water solution to clean, then rinse with water.

⚠ **CAUTION:** Do not use oven cleaner, abrasive cleansers (kitchen cleansers), cleaners that contain citrus products, or abrasive cleaning pads on barbecue or cart surfaces.

Slide out grease tray - Remove excess grease, wash with warm soapy water, then rinse.

⚠ **CAUTION:** Do not line the slide out grease tray with aluminum foil.

Flavorizer® bars and cooking grates - Clean with a suitable stainless steel bristle brush. As needed, remove from grill and wash with warm soapy water, then rinse with water.

For availability of replacement cooking grates and Flavorizer® bars contact the Customer Service Representative in your area using the contact information on our website. Log onto www.weber.com®.

Catch pan - Disposable foil trays are available, or you can line the catch pan with aluminum foil. To clean the catch pan, wash with warm soapy water, then rinse.

Thermometer - Wipe with warm soapy water; clean with plastic scrub ball.

Cookbox - Brush any debris off of burner tubes. DO NOT ENLARGE BURNER PORTS (OPENINGS). Wash inside of cookbox with warm soapy water and a water rinse.

Inside lid - While lid is warm, wipe inside with paper towel to prevent lid grease build-up. Flaking built-up grease resembles paint flakes.

Stainless steel surfaces - Wash with a soft cloth and a soap and water solution. Be careful to scrub with the grain direction of the stainless steel.

Do not use cleaners that contain acid, mineral spirits or xylene. Rinse well after cleaning.

Preserve your stainless steel - Your grill or its cabinet, lid, and control panel may be made from stainless steel. To keep the stainless steel looking its best is a simple matter. Clean it with soap and water, rinse with clear water and wipe dry. For stubborn particles, the use of a non-metallic brush can be used.

⚠ **IMPORTANT:** Do not use a wire brush or abrasive cleaners on the stainless steel surfaces of your grill as this will cause scratches.

⚠ **IMPORTANT:** When cleaning surfaces be sure to rub/wipe in the direction of the grain to preserve the look of your stainless steel. ♦

WEBER® SPIDER/INSECT SCREENS

Your Weber® gas barbecue, as well as any outdoor gas appliance, is a target for spiders and other insects. They can nest in the venturi section (1) of the burner tubes. This blocks the normal gas flow, and can cause the gas to flow back out of the combustion air opening. This could result in a fire in and around the combustion air openings, under the control panel, causing serious damage to your barbecue.

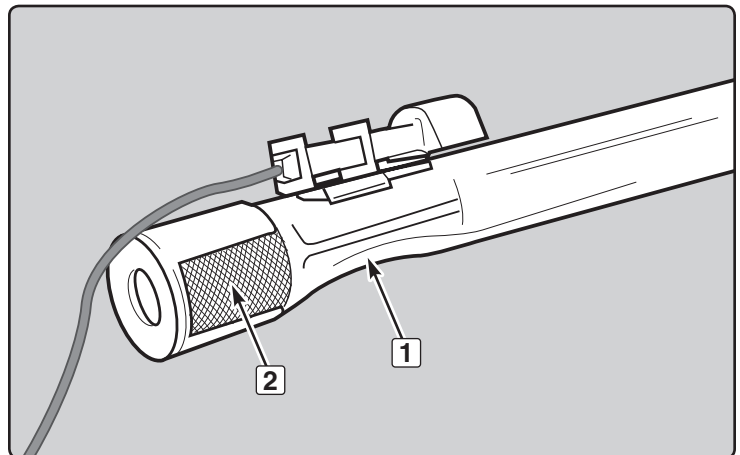
The burner tube combustion air opening is fitted with a stainless steel screen (2) to prevent spiders and other insects access to the burner tubes through the combustion air openings.

We recommend that you inspect the Spider/Insect screens at least once a year. (Refer to "ANNUAL MAINTENANCE") Also inspect and clean the the Spider/Insect screens if any of the following symptoms should ever occur:

- A) The smell of gas in conjunction with the burner flames appearing yellow and lazy.
- B) Barbecue does not reach temperature.
- C) Barbecue heats unevenly.
- D) One or more of the burners do not ignite.

⚠ DANGER

Failure to correct the above mentioned symptoms may result in a fire, which can cause serious bodily injury or death, and cause damage to property. ♦



BURNER TUBES CLEANING OR REPLACEMENT

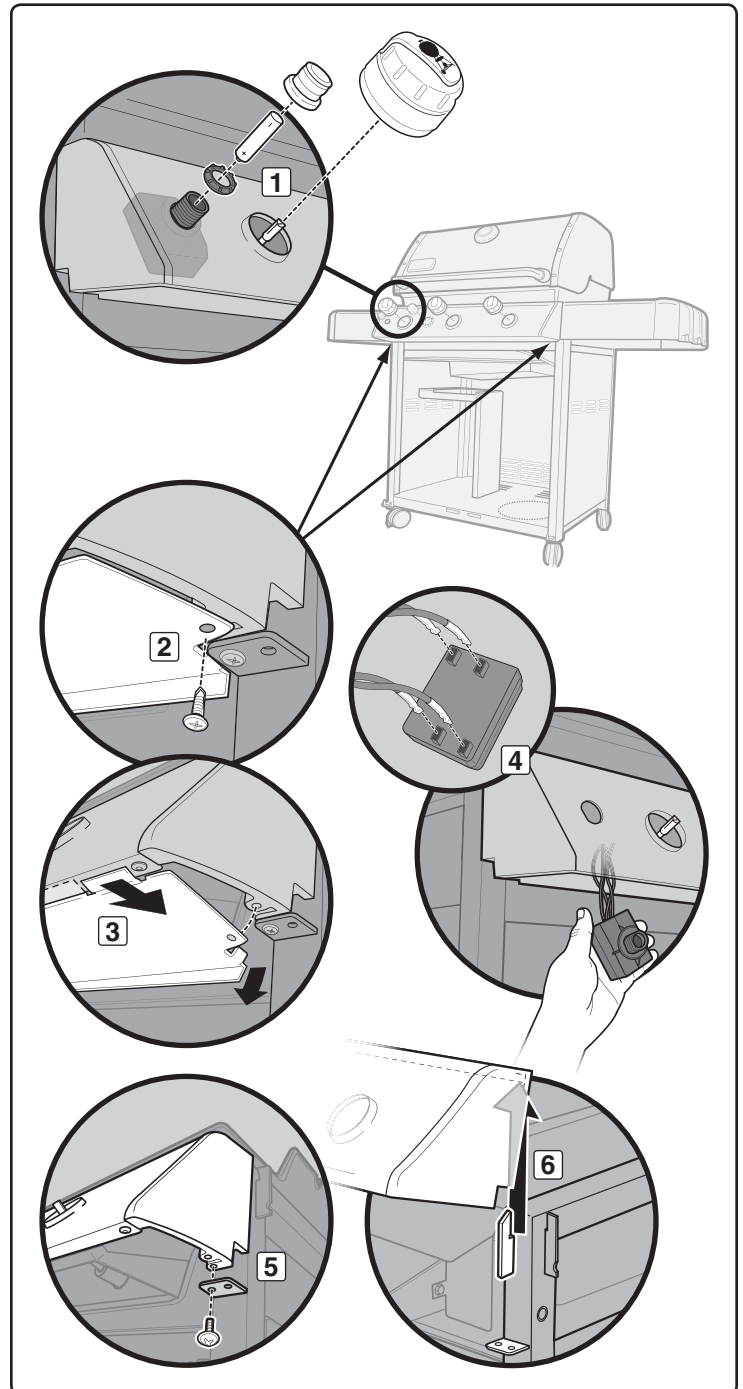
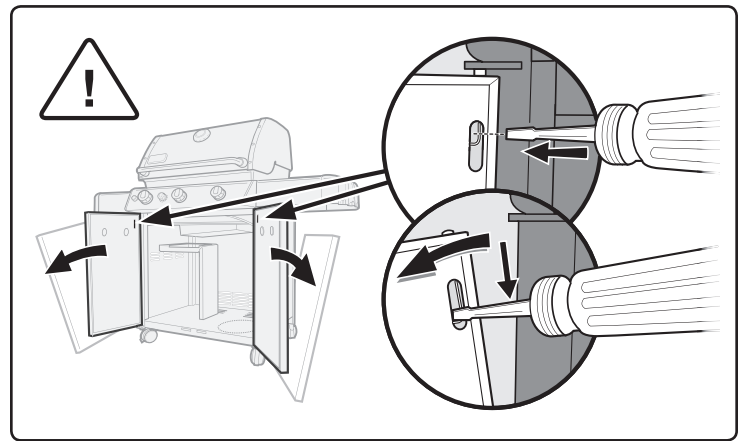
You will need: Phillips screwdriver and flathead screwdriver.

- A) Your Weber® gas barbecue must be OFF and cool.
- B) Turn gas OFF at source.
- C) Remove cookbox components - warming rack, grates and Flavorizer® bars. (Heat deflectors do not need to be removed.)

Control Panel Removal

To remove control panel:

- A) Remove control knobs, igniter button, igniter retention nut, and battery (1).
- B) Remove screws from wind deflector (2) located underneath the control panel with a Phillips screwdriver.
- C) Tilt end of wind deflector down and slide away to remove (3).
- D) Remove igniter module from control panel (4) and remove all four wires from module.
- E) Remove screws from underside of control panel with Phillips screwdriver (5).
- F) Lift control panel up slightly, tilt up front edge and gently lift up and away (6).



Burner Tube Removal

To remove burner tube(s):

- Remove igniter wire(s) from igniter clip(s) (7).
- Remove screw that holds burner tube to the cookbox using a flathead screwdriver (8).
- Pull burner tube assembly (this includes igniter) up and out of cookbox (9).
Note: 310/320 units will have an additional grounding wire attached to the center burner tube (10).

Burner Tube Cleaning

To clean the burner tube(s):

- Look inside each burner with a flashlight (11).
- Clean the inside of the burners with a wire (12) (a straightened-out coat hanger will work).
- Check and clean the air shutter opening at the ends of the burners. Check and clean the valve orifices at the base of the valves. Use a steel bristle brush to clean outside of burners (13). This is to make sure all the burner ports are fully open.

⚠ CAUTION: Do not enlarge the burner ports when cleaning.

Burner Tube Reinstallation

To reinstall burner tubes:

- Slide burner tube and igniter wire through hole in cookbox (14). Refer to "ELECTRONIC IGNITION SYSTEM OPERATIONS" for proper burner position.
- Align burner tube with valve.

⚠ CAUTION: The burner openings (15) must be positioned properly over the valve orifices (16).

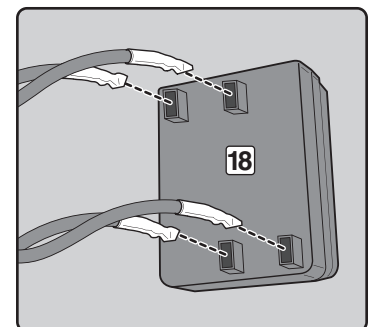
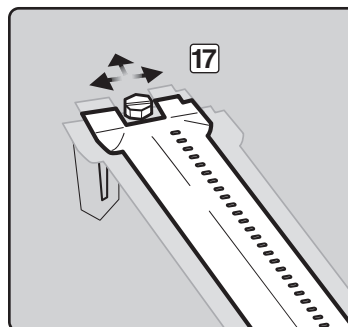
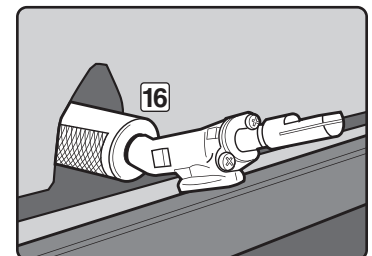
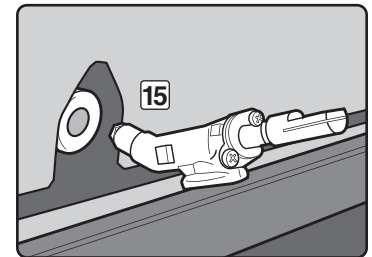
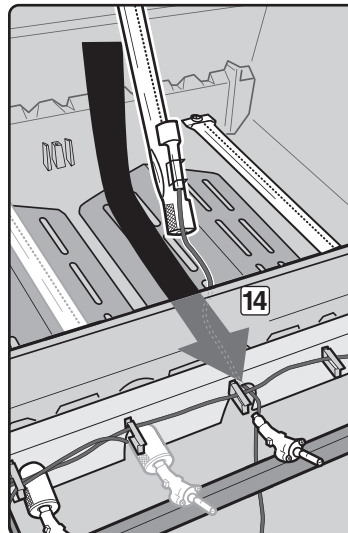
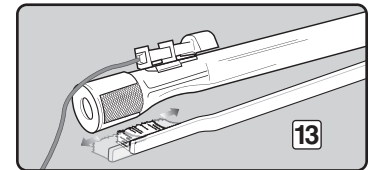
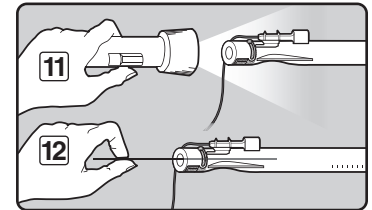
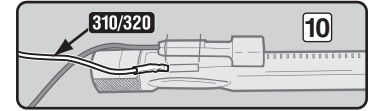
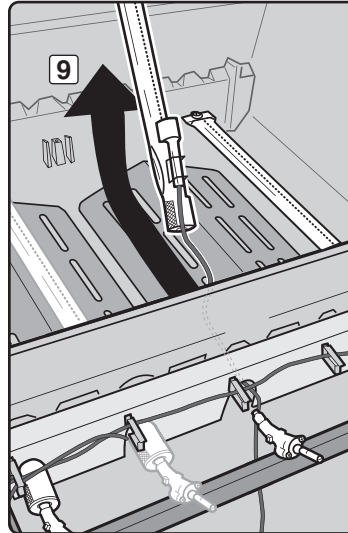
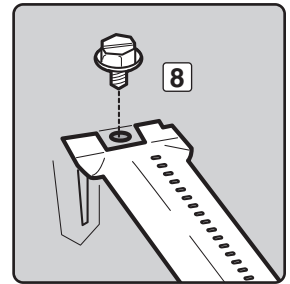
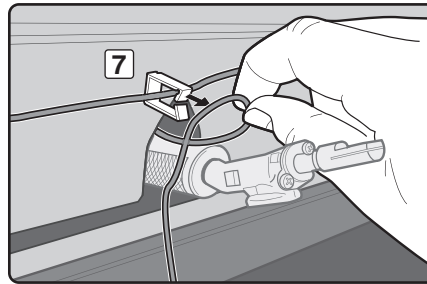
- Re-install screw that holds the burner tube to the cookbox using a flathead screwdriver. Burner tube may seem loose (17), when screw is snug. This is normal.
- Route wires back through igniter clips. Refer back to figure (7).

⚠ CAUTION: All wires must be properly routed through wire clips.

- Attach wires to module, following the numerical/color coding (18). Refer to "ELECTRONIC IGNITION SYSTEM OPERATIONS" for proper attachment of wires.

⚠ WARNING: After reinstalling the gas lines, they should be leak checked with a soap and water solution before using the barbecue. (Refer to "CHECK FOR GAS LEAKS".)

⚠ WARNING: Make sure that all parts are assembled and hardware is fully tightened before operating the grill. Your actions, if you fail to follow this Product Warning, may cause a fire, an explosion, or structural failure resulting in serious personal injury or death as well as damage to property. ♦



MAINTENANCE

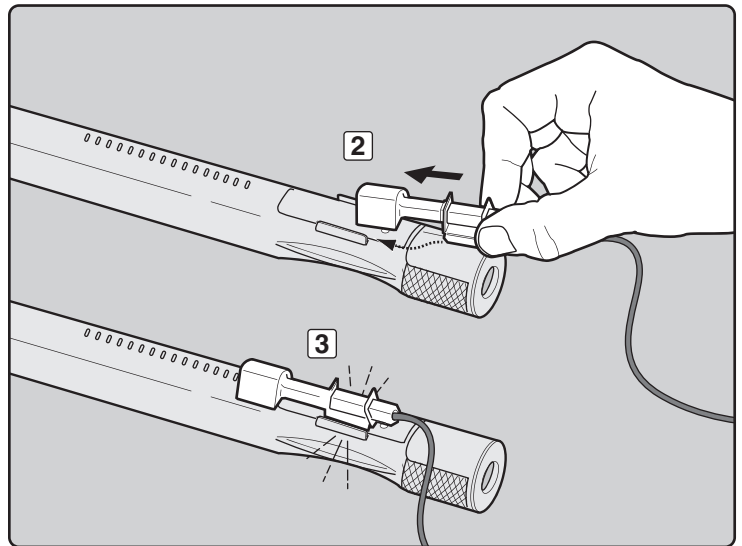
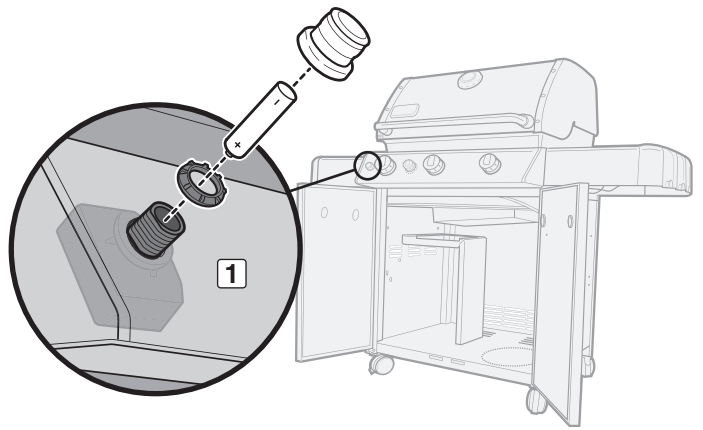
ELECTRONIC IGNITION SYSTEM OPERATIONS

If the Electronic Ignition System fails to ignite, be sure there is gas flow by attempting to match light your burners. Refer to "MAIN BURNER MANUAL IGNITION". If match lighting is successful, the problem lies in the electronic ignition.

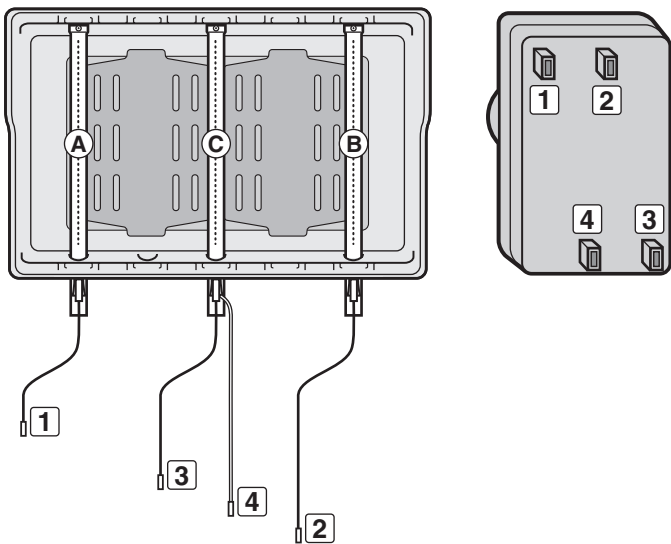
⚠ WARNING: All gas controls and supply valves should be in the OFF position.

- Verify that the AA battery (alkaline only) is in good condition and installed correctly (1). Some batteries have a plastic protective wrap around them. This plastic must be removed. Do not confuse this plastic with the battery label.
- Make sure the ignition wires are attached to igniter module properly. Refer to the "IGNITER MODULE WIRE GUIDE" below.
- Make sure the ceramic igniter assembly is fully positioned into burner tube igniter channel (2). If properly positioned, you will hear a snap (3).
- Make sure the Electronic Ignition button is working by listening and looking for sparks at burner.

If the Electronic Ignition System still fails to light, contact the Customer Service Representative in your area using the contact information on our web site. Log onto www.weber.com®. ♦

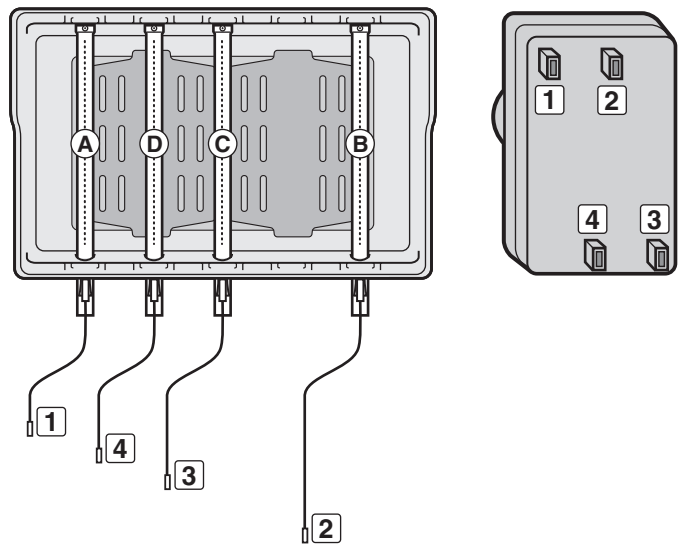


IGNITER MODULE WIRE GUIDE 310/320



Wire End & Terminal Color	Burner Tube
Black (1)	Left Burner (A)
Yellow (2)	Right Burner (B)
Blue (3)	Center Burner (C)
Green (Ground) (4)	Center Burner (C)

IGNITER MODULE WIRE GUIDE 330



Wire End & Terminal Color	Burner Tube
Black (1)	Left Burner (A)
Yellow (2)	Right Burner (B)
Blue (3)	Center Burner (C)
Green (4)	Sear Burner (D)

MAINTENANCE

SIDE BURNER MAINTENANCE

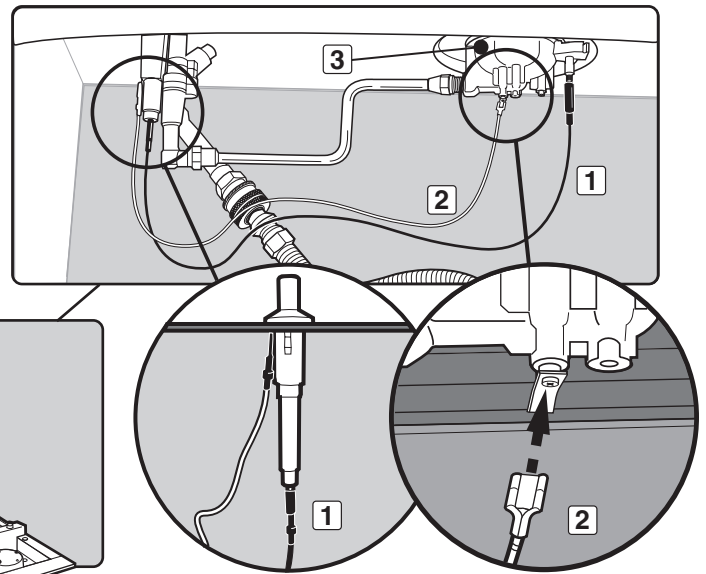
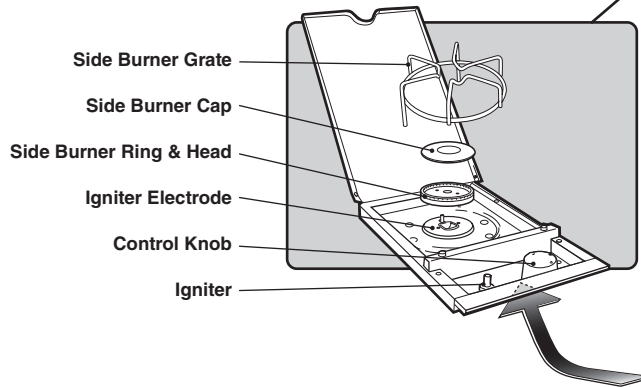
⚠ WARNING: All gas controls and supply valves should be in the OFF position.

Make sure black wire is connected between the igniter and electrode.

Make sure white wire is connected between the igniter and grounding clip.

Spark should be a white/blue color, not yellow.

- A) Igniter wire (1)
- B) Ground wire (2)
- C) Burner (3) ♦



ANNUAL MAINTENANCE

Inspection And Cleaning Of The Spider/Insect Screens

To inspect the Spider/Insect screens, remove the control panel. If there is dust or dirt on the screens, remove the burners for cleaning the screens.

Brush the Spider/Insect screens lightly with a soft bristle brush (i.e. an old toothbrush).

⚠ CAUTION: Do not clean the Spider/Insect screens with hard or sharp tools. Do not dislodge the Spider/Insect screens or enlarge the screen openings.

Lightly tap the burner to get debris and dirt out of the burner tube. Once the Spider/Insect screens and burners are clean, replace the burners.

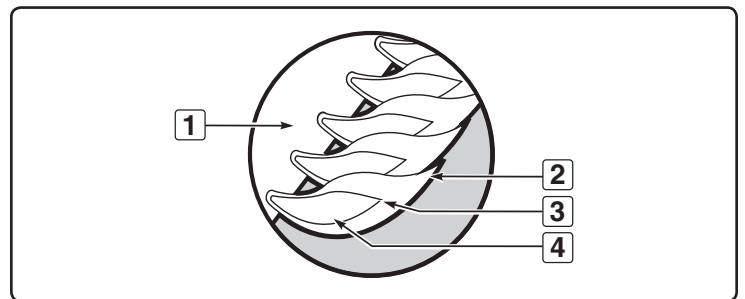
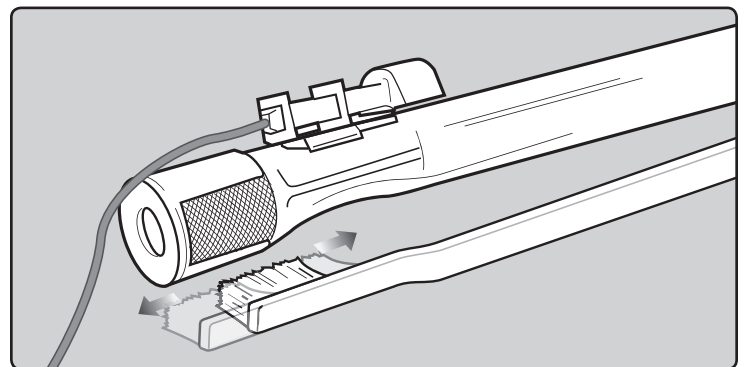
If the Spider/Insect screen becomes damaged or cannot be cleaned, please contact the Customer Service Representative in your area using the contact information on our web site. Log onto www.weber.com.

Burner Flame Pattern

The Weber® gas barbecue burners have been factory set for the correct air and gas mixture. The correct flame pattern is shown.

- A) Burner tube (1)
- B) Tips occasionally flicker yellow (2)
- C) Light blue (3)
- D) Dark blue (4)

If the flames do not appear to be uniform throughout the burner tube, follow the burner cleaning procedures. ♦



⚠ ATTENTION: This product has been safety tested and is only certified for use in a specific country. Refer to country designation located on outer carton.

These parts may be gas carrying or gas burning components. Please contact Weber-Stephen Products Co., Customer Service Department for genuine Weber-Stephen Products Co. replacement part(s) information.

⚠ WARNING: Do not attempt to make any repair to gas carrying, gas burning, igniter components or structural components without contacting Weber-Stephen Products Co., Customer Service Department. Your actions, if you fail to follow this Product Warning, may cause a fire, an explosion, or structural failure resulting in serious personal injury or death as well as damage to property.



WEBER-STEPHEN PRODUCTS CO.

www.weber.com[®]

GENESIS®



BARBACOA DE GAS

Guía del Propietario del Asador de Gas Propano Licuado

320/330

#56508



DEBE LEER ESTA GUÍA DEL PROPIETARIO ANTES DE PONER A FUNCIONAR LA BARBACOA DE GAS.

⚠ PELIGRO

Si huele a gas:

1. Cierre el suministro de gas al artefacto.
2. Apague todas las flamas cerrando la valvula general de paso.
3. Abra la tapa.
4. Llame inmediatamente a la central de fugas o a su proveedor de gas.

Una fuga de gas puede provocar un incendio o explosión que puede resultar en lesiones corporales serias o la muerte, o daños a la propiedad.

⚠ ADVERTENCIA

1. No almacene gasolina u otros fluidos inflamables en la cercanía de su aparato.
2. Ningún cilindro de propano licuado que no esté conectado para su uso deberá almacenarse cerca de éste o cualquier otro artefacto doméstico.

⚠ **ADVERTENCIA:** Antes de poner a funcionar la asador, siga cuidadosamente todos los procedimientos en este manual para verificar que no existan fugas. Haga esto aun y cuando la asador haya sido ensamblada por el distribuidor.

AVISO AL INSTALADOR:

Estas instrucciones deben permanecer con el propietario, quien las deberá guardar para un futuro uso.

ESTE ARTEFACTO A GAS ESTÁ DISEÑADO PARA USARSE SOLAMENTE AL AIRE LIBRE.

⚠ **ADVERTENCIA:** No encienda este artefacto sin primero leer las secciones de ENCENDIDO DEL QUEMADOR de este manual.



56508 LP
ESNA SPANISH NORTH AMERICA

ADVERTENCIAS

⚠ PELIGRO

El hacer caso omiso de los avisos de peligros, advertencias y precauciones contenidos en este Manual del Propietario pudiera resultar en lesiones corporales serias o la muerte, o en un fuego o explosión que cause daños a la propiedad.

⚠ ADVERTENCIAS

- ⚠ No almacene un tanque de propano licuado desconectado o de repuesto debajo o cerca de este asador.
- ⚠ El ensamblaje incorrecto puede ser peligroso. Por favor siga cuidadosamente las instrucciones de ensamblaje.
- ⚠ Tras haber estado guardada o sin uso por algún tiempo, antes de usar la barbacoa de gas Weber® verifique que no existan fugas de gas o obstrucciones en el quemador. Vea en este manual las instrucciones para los procedimientos correctos.
- ⚠ No opere la barbacoa de gas Weber® si existe una fuga de gas.
- ⚠ No utilice una llama abierta para comprobar la existencia de fugas de gas.
- ⚠ Nunca debe haber materiales combustibles a una distancia menor de 24 pulgadas (60 cm) de la parte superior, inferior, trasera o lateral de su asador de gas Weber®.
- ⚠ No coloque una funda para barbacoas ni cualquier otro artículo inflamable sobre o dentro del área de almacenaje ubicada debajo del asador.
- ⚠ Nunca permita que los niños usen la barbacoa de gas Weber®. Algunas partes accesibles de la barbacoa pudieran estar muy calientes. Mantenga alejados a los niños pequeños mientras ésta se esté usando.
- ⚠ Usted debe proceder con razonable cuidado al usar su barbacoa de gas Weber®. Ésta estará caliente al cocinarse en ella o al limpiarla, y nunca deberá dejarse desatendida o moverse mientras esté funcionando.
- ⚠ Si llegasen a apagarse los quemadores, cierre todas las válvulas de gas. Abra la tapa y espere cinco minutos antes de tratar de volver a encender la barbacoa, usando las instrucciones de encendido en este manual.
- ⚠ No use carbón o piedra pómez en su barbacoa de gas Weber®.
- ⚠ No se incline sobre la barbacoa abierta o coloque las manos o dedos en el borde delantero de la caja de cocción.
- ⚠ Si la grasa llegase a agarrar fuego, apague todos los quemadores y mantenga la tapa cerrada hasta que se haya apagado el fuego.
- ⚠ Al limpiar las válvulas o los quemadores, no ensanche los orificios de las válvulas o las aberturas de los quemadores.
- ⚠ La barbacoa de gas Weber® deberá limpiarse a fondo regularmente.
- ⚠ El propano licuado no es gas natural. El uso de gas natural en una unidad de propano licuado o viceversa, propano licuado en una de gas natural, es peligroso y anulará su garantía.

- ⚠ Mientras opere la barbacoa, utilice guantes resistentes al calor.
- ⚠ Mantenga alejados de todas las superficies calientes a todo cordón eléctrico y a la manguera de suministro de combustible.
- ⚠ Los subproductos de la combustión producidos al usar este producto contienen sustancias químicas que son conocidas por el Estado de la California como causantes de cáncer, defectos de nacimiento, u otros daños reproductivos.
- ⚠ No use esta barbacoa a menos que todas sus partes estén colocadas en su sitio. La unidad debe ensamblarse correctamente de acuerdo con las instrucciones de ensamblaje.
- ⚠ No construya este modelo de barbacoa en ninguna construcción en la que la barbacoa esté incorporada de manera fija o deslizable. El no acatar esta Advertencia pudiera resultar en un fuego o una explosión que pudiera causar daños a la propiedad y heridas corporales graves o la muerte.
- ⚠ Propuesta 65 Advertencia: El manipular los materiales de latón en este producto lo exponen al plomo, una sustancia química conocida por el estado de California como causante de cáncer, de defectos de nacimiento o de otros daños reproductivos.
(Lávese las manos después de manipular este producto.)

ÚNICAMENTE UNIDADES DE GAS PROPANO LICUADO

- ⚠ Use el regulador que se suministra con la barbacoa de gas Weber®.
- ⚠ No trate de desconectar el regulador de gas o ninguna conexión de gas mientras esté funcionando la barbacoa.
- ⚠ Un cilindro de propano licuado abollado u oxidado pudiera ser peligroso y deberá ser revisado por su suplidor de propano licuado. No utilice ningún cilindro de propano licuado con una válvula dañada.
- ⚠ Aunque el cilindro de propano licuado pudiera aparentar estar vacío, algo de gas pudiera aún estar presente, por lo que el cilindro deberá transportarse y almacenarse tomando esta posibilidad en consideración.
- ⚠ Si usted ve, huele o escucha el silbido de un escape de gas del cilindro de propano licuado:
 1. Apártese del cilindro de propano licuado.
 2. No trate de corregir el problema usted mismo.
 3. Llame al cuerpo de bomberos local. ♦

TABLA DE CONTENIDO

DIAGRAMA DE DESPIECE 320	4	CONSEJOS PRÁCTICOS PARA ASAR	43
LISTA DEL DIAGRAMA DE DESPIECE 320	5	PRECALENTADO	43
DIAGRAMA DE DESPIECE 330	6	COCCIÓN CUBIERTA	43
LISTA DEL DIAGRAMA DE DESPIECE 330	7	PRINGUES Y GRASA	43
ADVERTENCIAS	30	EL SISTEMA FLAVORIZER®	43
TABLA DE CONTENIDO	31	ESTACIÓN DE DORADO SEAR STATION®	43
GARANTÍA	32	ENCENDIDO Y USO DEL QUEMADOR LATERAL	44
INSTRUCCIONES GENERALES	33	ENCENDIDO DEL QUEMADOR LATERAL	44
PARA COMPRAS HECHOS EN MÉXICO	33	PARA APAGAR	44
INSTALACIÓN CANADIENSE	33	ENCENDIDO MANUAL DEL QUEMADOR LATERAL	45
OPERACIÓN DE LA BARBACOA	33	PARA APAGAR	45
ALMACENAJE Y/O SIN USO	33	RESOLUCIÓN DE PROBLEMAS	46
INSTRUCCIONES SOBRE EL GAS	34	RESOLUCIÓN DE PROBLEMAS CON	
SUGERENCIAS PARA EL MANEJO SEGURO DE		EL QUEMADOR LATERAL	47
LOS CILINDROS DE GAS PROPANO LICUADO	34	MANTENIMIENTO	47
INFORMACIÓN IMPORTANTE SOBRE EL CILINDRO DE		LIMPIEZA	47
PROPANO LICUADO	35	MALLAS WEBER® CONTRA ARAÑAS E INSECTOS	47
PREPARATIVOS PARA LA BÚSQUEDA DE FUGAS	35	LIMPIEZA O REEMPLAZO DE LOS TUBOS QUEMADORES	48
DETECCIÓN DE FUGAS DE GAS	37	OPERACIONES DEL SISTEMA DE ENCENDIDO ELECTRÓNICO	50
CÓMO RECARGAR EL CILINDRO DE PROPANO LICUADO	38	MANTENIMIENTO DEL QUEMADOR LATERAL	51
ANTES DE UTILIZAR LA BARBACOA	39	MANTENIMIENTO ANUAL	51
NIVEL DE COMBUSTIBLE	39		
BANDEJA CORREDIZA RECOLECTORA DE			
GRASA Y BANDEJA DESECHABLE DE GOTEO	39		
INSPECCIÓN DEL ENCENDEDOR ELECTRÓNICO	39		
INSPECCIÓN DE LA MANGUERA	39		
ENCENDIDO Y USO DEL QUEMADOR PRINCIPAL	40		
ENCENDIDO DEL QUEMADOR PRINCIPAL	40		
PARA APAGAR	40		
ENCENDIDO MANUAL DEL QUEMADOR PRINCIPAL	41		
PARA APAGAR	41		
ENCENDIDO Y USO DE LA ESTACIÓN DE			
DORADO “SEAR STATION®” (MODELO 330)	42		
ENCENDIDO DEL QUEMADOR DE LA ESTACIÓN DE			
DORADO “SEAR STATION®”	42		
ENCENDIDO MANUAL DEL QUEMADOR DE LA ESTACIÓN DE			
DORADO “SEAR STATION®”	42		
CÓMO USAR LA ESTACIÓN DE DORADO “SEAR STATION®”	42		

GARANTÍA

Weber-Stephen Products Co., (Weber) mediante la presente le garantiza al COMPRADOR ORIGINAL de esta barbacoa de gas Weber® que la misma estará libre de defectos en cuanto a materiales y fabricación a partir de la fecha de compra según lo siguiente:

Piezas coladas de aluminio:	25-años (2 años para la pintura excluyendo la decoloración)
Cubierta de acero inoxidable:	25-años
Cubierta porcelanizada:	25-años
Tubos de acero inoxidable de los quemadores:	10-años
Parrillas de cocción de acero inoxidable:	5-años sin perforación por fuego u oxidación
Barras Flavorizer® de acero inoxidable:	5-años sin perforación por fuego u oxidación
Parrillas de cocción de hierro colado porcelanizado:	5-años sin perforación por fuego u oxidación
Parrillas de cocción porcelanizadas:	3-años sin perforación por fuego u oxidación
Barras Flavorizer® porcelanizadas:	2-años sin perforación por fuego u oxidación
Quemador infrarrojo del asador giratorio:	2-años
Todas la demás partes:	2-años

cuando se ensambla y opera de acuerdo a las instrucciones impresas que la acompañan. Weber pudiese requerir prueba razonable de la fecha de compra. POR LO TANTO, DEBERÁ GUARDAR SU RECIBO O FACTURA DE VENTA.

Esta garantía limitada está limitada a la reparación o reemplazo de piezas que resultasen defectuosas bajo uso y servicio normal y las cuales al examinarse indiquen, a plena satisfacción de Weber, que efectivamente son piezas defectuosas. Antes de devolver cualquier parte, contacte al Representante de Atención al Cliente en su área, cuya información de contacto la encontrará en nuestro sitio web. Si Weber confirma el defecto y aprueba el reclamo, ésta elegirá reparar o reemplazar tal pieza sin cargo alguno. Si usted tiene que retornarnos las partes defectuosas, los gastos de transporte deben ser prepagados. Weber retornará las partes al comprador con transporte o franqueo prepagado.

Esta Garantía Limitada no cubre ninguna falla o problema de operación a causa de accidentes, abuso, mal uso, alteración, uso en aplicaciones indebidas, vandalismo, instalación inapropiada o mantenimiento o servicio inapropiados, o por no llevar a cabo el mantenimiento normal y rutinario, entre los que se incluyen, pero sin limitación, los daños causados por insectos dentro de los tubos quemadores, según se detalla en este manual del propietario.

Esta Garantía Limitada no cubre el deterioro o daños a causa de condiciones de tiempo inclemente tales como granizo, huracanes, terremotos o tornados ni tampoco la decoloración por exposición a sustancias químicas bien sea por contacto directo o por que las mismas contenidas en la atmósfera.

No existe ninguna otra garantía expresa que no sean las acá indicadas y cualesquier garantías implícitas de comerciabilidad y aptitud de uso están limitadas en duración al tiempo de cobertura de esta expresa Garantía Limitada por escrito. Algunas regiones no permiten limitación alguna en el tiempo que una garantía implícita pueda durar, por lo que esta limitación pudiera no aplicarle a usted.

Weber no se hace responsable de cualesquier daños especiales, indirectos o emergentes. Algunas regiones no permiten la exclusión o limitación de daños incidentales o emergentes, por lo que esta limitación o exclusión pudieran no aplicarle a usted.

Weber no autoriza a persona o empresa alguna a asumir en su nombre ninguna obligación o responsabilidad en relación con la venta, instalación, uso, retiro, devolución o reemplazo de sus equipos, y ninguna tal representación será vinculante para Weber.

Esta Garantía aplica solo a aquellos productos vendidos al por menor.

WEBER-STEPHEN PRODUCTS CO.

Customer Service Center
1890 Roselle Road, Suite 308
Schaumburg, IL 60195
USA

Para partes de repuesto llame a:
1-800-446-1071
www.weber.com

Para compras hechas en México
WEBER-STEPHEN PRODUCTS S.A. de C.V.
Marcella No. 338,
Colonia Americana
44160 México, C.P.
México

Para partes de repuesto llame a:
(52) (33) 3615-0736
www.weber.com

Visite www.weber.com, seleccione su país de origen y registre su barbacoa hoy. ♦

INSTRUCCIONES GENERALES

La barbacoa de gas Weber® es un aparato transportable para cocinar al aire libre. Con la barbacoa de gas Weber® usted puede asar a la parrilla, a la barbacoa, al horno y hornear con unos resultados que son difíciles de duplicar con los aparatos de cocina de casa. La tapa cerrada y las barras Flavorizer® le dan a los alimentos ese sabor a "aire libre".

La barbacoa de gas Weber® es portátil por lo que usted puede reubicarla fácilmente de sitio en su jardín o patio. La portabilidad significa que, si usted se muda, se puede llevar su barbacoa de gas Weber® consigo.

El suministro de gas propano licuado es fácil de usar y le da más control al cocinar que el carbón.

- Estas instrucciones le indicarán los requisitos mínimos para ensamblar la barbacoa de gas Weber®. Por favor lea cuidadosamente las instrucciones antes de utilizar la barbacoa de gas Weber®. Un ensamblaje incorrecto puede ser peligroso.
- No debe ser usada por niños.
- Si hubiese códigos locales que aplicasen para las barbacoas de gas portátil, usted deberá acatarlas. La instalación debe cumplir con los códigos locales o, en ausencia de estos, bien sea con el "Código nacional de gas combustible"; ANSI Z223.1/NFPA 54, el "Código de instalaciones de gas natural y propano"; CSA B149.1, o el "Código de manipulación y almacenaje de propano"; B149.2, o la "Norma para vehículos recreativos"; ANSI A 119.2/NFPA 1192, y CSA Z240 RV Series, "Código para vehículos recreativos", según corresponda.
- Debe usarse el regulador de presión suministrado con la barbacoa de gas Weber®. Este regulador está ajustado para una presión de 11 pulgadas de columna de agua.
- Esta barbacoa de gas Weber® está diseñada para ser usada solamente con gas propano licuado (LP). No la use con gas natural (suministrado a través de tuberías en las ciudades). Las válvulas, los orificios, la manguera y regulador son solamente aptos para gas propano licuado.
- No la use con carbón.
- Asegúrese de que el área debajo del panel de control y de la bandeja corredera para la grasa no tengan desechos que pudiesen obstruir el flujo de aire de combustión o de ventilación.
- Las áreas alrededor del cilindro de gas de propano licuado deben estar libres y sin acumulación de desperdicios.
- Los reguladores de presión y ensambles de manguera de reemplazo deben ser los especificados por Weber-Stephen Products Co. ♦

PARA COMPRAS HECHAS EN MÉXICO

- Si hubiese códigos locales que se aplicasen a los asadores de gas portátiles, usted deberá cumplir con la más reciente edición de NOM. ♦

INSTALACIÓN CANADIENSE

Esta instrucciones, aunque de manera general son aceptables, no necesariamente cumplen con los códigos de instalación canadienses, en particular en lo que respecta a a tuberías bajo y sobre tierra. En Canadá, la instalación de este artefacto debe cumplir con los códigos locales y/o la Norma CSA-B149.2 ("Código de manipulación y almacenaje de propano"). ♦

OPERACIÓN DE LA BARBACOA

- ⚠ **ADVERTENCIA: Sólo use esta barbacoa al aire libre en un área bien ventilada. No la use en un garaje, edificio, pasadizo techado o en cualquier otra área cerrada.**
- ⚠ **ADVERTENCIA: Mantenga las aberturas de ventilación de la caja del cilindro libres de obstrucciones y limpias.**
- ⚠ **ADVERTENCIA: La barbacoa de gas Weber® no deberá usarse debajo de un techo combustible.**
- ⚠ **ADVERTENCIA: La barbacoa de gas Weber® no ha sido diseñada para instalarse en o sobre vehículos y/o botes recreativos.**
- ⚠ **ADVERTENCIA: No utilice la barbacoa a menos de 24 pulgadas (61 cm) de distancia de materiales combustibles.**
- ⚠ **ADVERTENCIA: La caja de cocción entera se calienta al usarse. No la deje desatendida.**
- ⚠ **ADVERTENCIA: Mantenga a cualquier cordón eléctrico y a la manguera de suministro de gas alejados de toda superficie caliente.**
- ⚠ **ADVERTENCIA: Mantenga el área de cocinar libre de vapores y líquidos inflamables tales como gasolina, alcohol, etc. y de materiales combustibles.**

⚠ **ADVERTENCIA: Nunca almacene cilindros de propano licuado extra (de repuesto) debajo o cerca de la barbacoa de gas Weber®.**

⚠ **ADVERTENCIA: El cilindro de propano licuado usado con la barbacoa debe contar con un "Dispositivo de prevención de sobrellenado" (OPD, por sus siglas en inglés) y una conexión QCC1 o tipo 1 (CGA810). La conexión del cilindro debe ser compatible con la de la barbacoa. ♦**

ALMACENAJE Y/O SIN USO

- La válvula de gas en el cilindro de propano licuado debe mantenerse cerrada mientras la barbacoa de gas Weber® esté sin usarse.
- Cuando la barbacoa de gas Weber® esté almacenada bajo techo, el suministro de gas debe DESCONECTARSE y el tanque de propano licuado debe guardarse al aire libre en un espacio bien ventilado.
- El cilindro de propano licuado debe guardarse al aire libre en un área bien ventilada fuera del alcance de los niños. El cilindro desconectado de propano licuado no debe almacenarse dentro de ninguna edificación, garaje o área cerrada.
- Cuando el cilindro de propano licuado no esté desconectado de la barbacoa de gas Weber®, el artefacto junto con el tanque de propano licuado deberán mantenerse al aire libre en un espacio bien ventilado.
- La barbacoa de gas Weber® debe revisarse antes de usarse para verificar de que no tenga fugas de gas ni obstrucciones en los tubos de los quemadores. (Consulte la sección "MANTENIMIENTO/MANTENIMIENTO ANUAL").
- Asegúrese de que el área debajo del panel de control y la bandeja inferior no tengan desechos que pudiesen obstruir el flujo de aire de combustión o de ventilación.
- También deberá revisarse que la malla contra arañas e insectos no esté obstruida. (Consulte la sección "MANTENIMIENTO/MANTENIMIENTO ANUAL"). ♦

INSTRUCCIONES SOBRE EL GAS

SUGERENCIAS PARA EL MANEJO SEGURO DE LOS CILINDROS DE GAS PROPANO LICUADO

- El gas propano licuado es un producto petrolero al igual que lo son la gasolina y el gas natural. El propano es un gas a temperaturas y presiones normales. Bajo presión moderada, dentro de un cilindro, el gas propano es un líquido. En la medida en que se libera la presión, el líquido se evapora fácilmente y se convierte en gas.
- El gas propano tiene un olor similar al gas natural. Usted deberá estar al tanto de este olor.
- El gas propano es más pesado que el aire. El gas propano proveniente de una fuga puede acumularse en áreas bajas y prevenir su dispersión.
- Para llenar un cilindro de gas propano, llévalo a un expendedor de gas propano, o busque a otros suplidores bajo "gas propano" en el directorio telefónico.

⚠ ADVERTENCIA: Recomendamos llenar su cilindro de gas propano licuado con un distribuidor de gas propano autorizado que tenga un encargado debidamente calificado y que llene el tanque en base a peso. EL LLENADO INCORRECTO ES PELIGROSO.

- Antes de su llenado inicial, el aire debe ser retirado de todo cilindro nuevo de propano licuado. Los distribuidores de propano licuado están equipados para hacerlo.
- El cilindro de propano licuado debe instalarse, transportarse y almacenarse en una posición parada. Los cilindros de propano licuado no deben dejarse caer o manipularse de manera brusca.
- Nunca almacene o transporte los cilindros de propano licuado en sitios donde la temperatura alcance los 125° F (52° C) (demasiado caliente para sostenerlo con la mano - por ejemplo: no deje un cilindro de gas propano dentro de un carro en un día caluroso).

Nota: una recarga durará alrededor de 18-20 horas de tiempo de cocción bajo uso normal. La escala de combustible, una característica de algunas de nuestras barbacoas, indicará el suministro de propano de manera que usted puede recargar antes de agotarse el mismo. No necesita agotar el tanque antes de rellenarlo.

- Trate a los cilindros de propano licuado "vacíos" con el mismo cuidado que cuando están llenos. Aun cuando el tanque de gas propano no contenga líquido todavía puede haber presión del gas en el cilindro. Siempre cierre la válvula del cilindro antes de desconectarlo.

⚠ PRECAUCIÓN: Siempre que el cilindro esté sin usarse, coloque la capucha antipolvo sobre la salida de la válvula del mismo. Sólo instale sobre la salida de la válvula el tipo de capucha antipolvo con la que vino provista la misma. Otros tipos de capuchas o tapones pudieran causar fugas de propano.

- No use ningún cilindro de propano licuado dañado. Cilindros de propano licuado abollados u oxidados o con la válvula dañada son peligrosos y deberán reemplazarse por uno nuevo inmediatamente.
- Cada vez que se reconecte un cilindro de propano licuado, se debe revisar que la unión por donde se conecta la manguera al cilindro no presente fugas. Por ejemplo, haga la prueba cada vez que se llena el cilindro de propano licuado.
- Asegúrese de que el regulador esté montado con el pequeño agujero respiradero viendo hacia abajo de manera que no se acumule agua en él. Este respiradero debe mantenerse libre de sucio, grasa, insectos, etc.
- Las conexiones de gas suministradas con la barbacoa de gas Weber® han sido diseñadas para cumplir en un 100% con los requisitos de las normas CSA y ANSI.

⚠ ADVERTENCIA: Lo tanques de propano licuado de reemplazo deben tener conexiones compatibles con la del regulador suministrado con esta barbacoa.

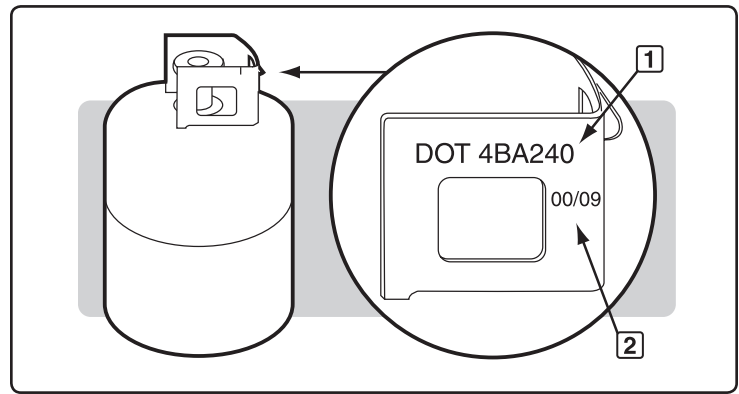
Requisitos de los cilindros de propano licuado

- Asegúrese de que los cilindros tengan una certificación del D.O.T. (Departamento de Transporte) (1), y que la fecha en que fueron probados (2) no sea de más de cinco años atrás. Su proveedor de propano licuado puede hacerlo por usted.
- Todos los sistemas de tanques de suministro de propano licuado deben incluir un collar que proteja la válvula del cilindro.
- El cilindro de gas debe tener un tamaño aproximado de 20 lb. (18¼ pulgadas de alto, 12¼ pulgadas de diámetro).
- Los cilindros deben construirse y marcarse de acuerdo con las "Especificaciones para cilindros de gas propano licuado" del Departamento de Transporte (D.O.T.) de los EE.UU. o la Norma Nacional Canadiense "CAN/CSA-B339, Cilindros, esferas y tubos" o "Transporte de bienes peligrosos"; y Comisión, según aplique.

Requisitos canadienses sobre los cilindros de propano licuado

Nota: Su proveedor de venta al por menor puede ayudarle a buscar un tanque de reemplazo para su barbacoa.

- El cilindro de propano licuado debe estar construido y marcado de acuerdo con las especificaciones para cilindros de gas propano licuado, T.C. ♦



INSTRUCCIONES SOBRE EL GAS

INFORMACIÓN IMPORTANTE SOBRE EL CILINDRO DE PROPANO LICUADO

⚠ PELIGRO

NUNCA almacene un cilindro de gas propano licuado de reserva debajo o cerca de esta barbacoa. **NUNCA** llene el tanque más allá de un 80% lleno. El no acatar estrictamente estos avisos de **PELIGRO** pudiera resultar en un fuego letal o causar lesiones serias.

Su barbacoa de gas Weber® está equipada para usarse con un sistema de suministro desde cilindros diseñado para el retiro del vapor.

⚠ ADVERTENCIA: Solamente use esta barbacoa en un área bien ventilada al aire libre. No la use en un garaje, edificio, pasadizo techado o en cualquier otra área cerrada.

Las maneras correctas para llenar su cilindro son por peso o por volumen, según se describe en la norma NFPA-58. Por favor asegúrese de que su estación de llenado llene su cilindro de gas propano licuado midiendo el peso o el volumen. Pídale al personal de la estación de llenado que lean las instrucciones sobre cómo purgar y llenar el cilindro de gas propano licuado antes de tratar de llenarlo. ♦

PREPARATIVOS PARA LA BÚSQUEDA DE FUGAS

Verifique que todas las válvulas de los quemadores estén cerradas

Las válvulas son despachadas de fábrica en la posición cerradas, pero usted debe verificarlo para asegurarse de que efectivamente estén cerradas. Verifíquelo presionándolas hacia abajo y girándolas hacia la derecha. Si no giran, están cerradas. Si sí girasen, continúe girándolas hacia la derecha hasta que paren; allí estarán cerradas.

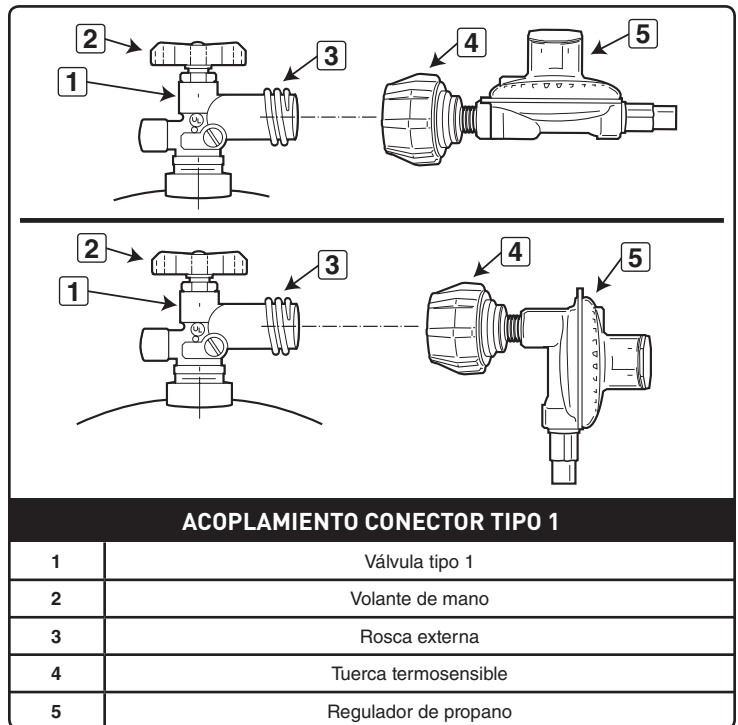
El cilindro de propano licuado

Todos los reguladores de las barbacoas Weber® de gas propano licuado están equipados con una conexión de tanque certificada por los laboratorios UL de acuerdo a la más reciente edición de la norma ANSI Z21.58. Ello requerirá un tanque de propano licuado que esté igualmente equipado con una conexión Tipo 1 en la válvula del tanque. Este acoplamiento Tipo 1 permite realizar un conexión rápida y totalmente segura entre la barbacoa de gas y el tanque de propano licuado. El mismo elimina la posibilidad de fugas debido a una conexión POL que no esté debidamente apretada. El gas no fluirá del tanque a menos que el acoplamiento Tipo 1 esté completamente embebido dentro del acoplamiento.

⚠ ADVERTENCIA: Asegúrese de que la válvula del cilindro de propano licuado esté cerrada. Círrrela girándola en la dirección de las manecillas del reloj.

⚠ PELIGRO

No utilice una llama abierta para comprobar si existen fugas de gas. Asegúrese de que no haya chispas o llamas abiertas en el área mientras comprueba si existen fugas. Chispas o llamas causarían un fuego o explosión, las cuales pueden causar serias lesiones corporales o la muerte, y daños a la propiedad. ♦



INSTRUCCIONES SOBRE EL GAS

- A) Abra las puertas del gabinete base. Saque el regulador y la manguera fuera del gabinete (1).
- B) Ubique el clip de retención de la manguera (2) en la manguera del regulador. Fíjelo a la ranura en la parte de abajo de la escala del tanque (3).

⚠ ADVERTENCIA: La manguera debe fijarse a la escala del tanque con el clip de retención de la manguera. El no hacerlo podría causar daños a la manguera que podrían resultar en un fuego o explosión, que pueden causar lesiones corporales o la muerte y daños a la propiedad.

Algunos tanques de propano licuado tienen collarines superiores con ensambles diferentes. (El collarín superior es el aro protector de metal alrededor de la válvula.) Una serie de tanques se ensamblan con la válvula hacia adelante (4). Los demás tanques se ensamblan con la válvula viendo en dirección contraria a la escala de combustible (5). Weber recomienda el uso de cilindros fabricados por Manchester y Worthington, con una capacidad para 47,6 lbs. de agua. Otros cilindros pudieran ser aceptables para utilizarse con la aplicación siempre que sean compatibles con los medios de retención del artefacto (vea las ilustraciones).

El cilindro de propano licuado se instala dentro del gabinete base, sobre la escala del tanque (lado derecho).

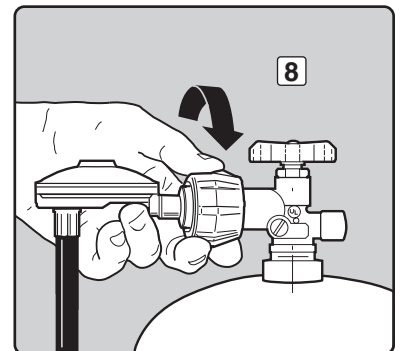
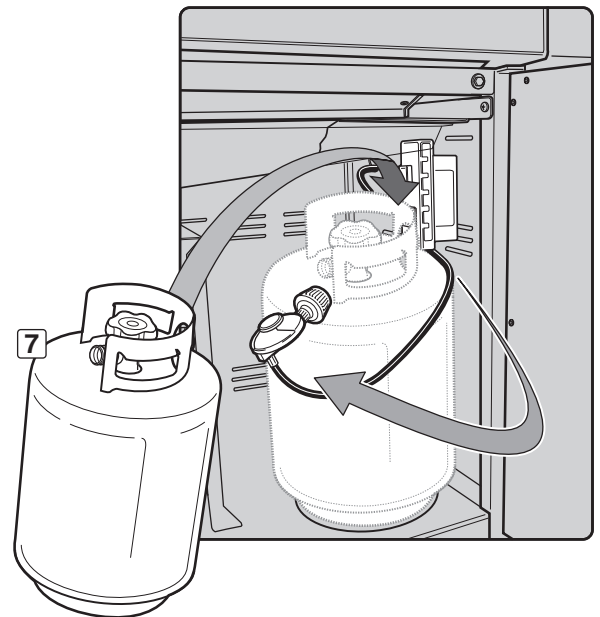
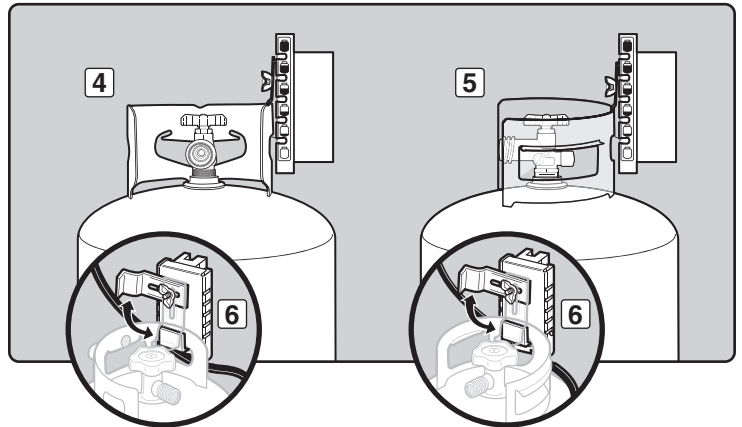
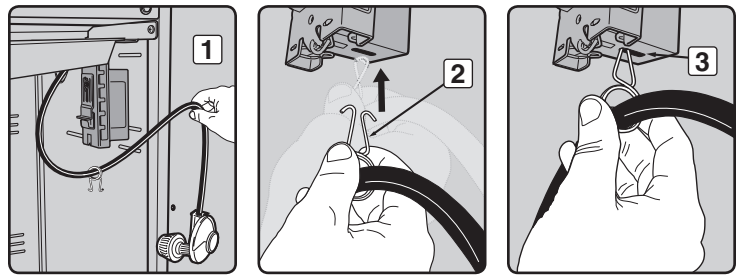
- C) Afloje la tuerca de orejas del seguro del cilindro. Gire el seguro del cilindro hacia arriba (6).
- D) Gire el cilindro de propano licuado de manera que la abertura de la válvula esté viendo hacia la parte frontal o lateral de la barbacoa de gas Weber®.
- E) Levante el tanque y colóquelo en posición sobre la báscula del tanque (7).
- F) Gire el seguro del cilindro hacia abajo. Apriete la tuerca de orejas.

Conecte la manguera al cilindro

- A) Retire la cubierta antipolvo de plástico de la válvula.
- B) Enrosque el acoplamiento del regulador a la válvula del tanque, en el sentido de las agujas del reloj o hacia la derecha (8). Apriete sólo a mano.

Nota: Esta conexión se aprieta hacia la derecha y no permitirá que el gas fluya a menos que la conexión esté apretada. La conexión sólo requiere apretarse a mano.

⚠ ADVERTENCIA: No use una llave para apretar la conexión. Si usase una llave, podría dañar el acoplamiento del regulador y causar una fuga.



INSTRUCCIONES SOBRE EL GAS

Retire las perillas de control y el panel de control para las pruebas de detección de fugas

Usted necesitará: Un destornillador Phillips.

- Retire las perillas de control, el botón de encendido, la tuerca de retención y la batería (1).
- Saque los tornillos del deflector de viento con un destornillador Phillips (2).
- Incline el extremo del deflector de viento hacia abajo y deslícelo en dirección contraria a usted para sacarlo (3).
- Permita que el módulo de encendido cuelgue de los cables No lo desconecte (4).
- Saque los tornillos de la parte inferior del panel de control con un destornillador Phillips (5).
- Levante ligeramente el panel de control, incline el borde delantero hacia arriba y levántelo con cuidado (6).
- Al terminar las pruebas de detección de fugas, vuelva a colocar el panel de control y el deflector de viento en su lugar. ♦

DETECCIÓN DE FUGAS DE GAS

⚠ PELIGRO

No utilice una llama abierta para comprobar si existen fugas de gas. Asegúrese de que no haya chispas o llamas abiertas en el área mientras comprueba si existen fugas. Chispas o llamas causarían un fuego o explosión, las cuales pueden causar graves lesiones corporales o la muerte, y daños materiales.

Nota: Todas las conexiones hechas en la fábrica han sido revisadas a fondo para asegurar que no existan fugas. Los quemadores han sido probados con las llamas encendidas. Como medida de precaución, sin embargo, usted deberá de volver a revisar todas las conexiones en busca de fugas antes de utilizar su barbacoa de gas Weber®. Durante el manejo y despacho puede haberse aflojado o dañado alguna conexión de gas.

⚠ **ADVERTENCIA:** Las conexiones de gas de su barbacoa de gas han sido probadas en la fábrica. Le recomendamos que inspeccione todas las conexiones de gas antes de operar la barbacoa de gas.

⚠ **ADVERTENCIA:** Lleve a cabo estos chequeos de fugas aun y cuando su barbacoa haya sido ensamblada por el distribuidor o en la tienda donde la compró.

Si la barbacoa cuenta con un quemador lateral asegúrese de que éste esté apagado.

Abra el suministro de gas en la fuente del mismo.

⚠ **ADVERTENCIA:** No encienda los quemadores mientras esté verificando la existencia de fugas.

Usted necesitará: una solución de agua y jabón y un trapo o una brocha para aplicarla.

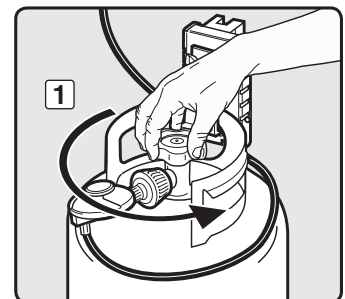
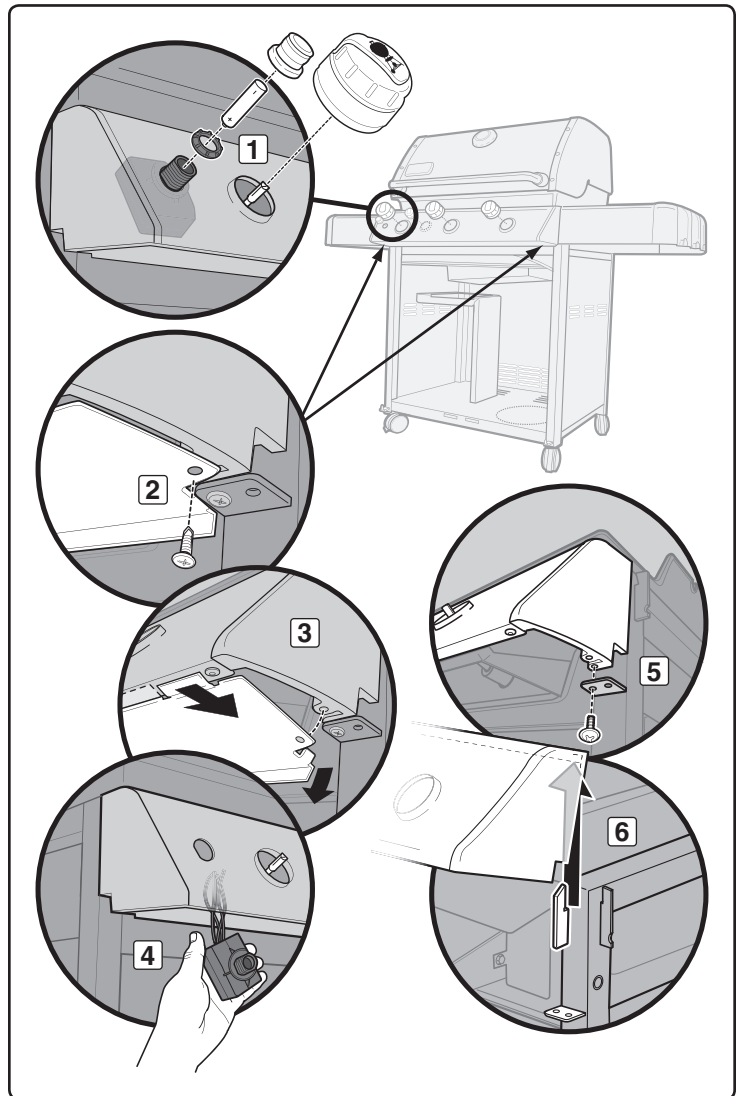
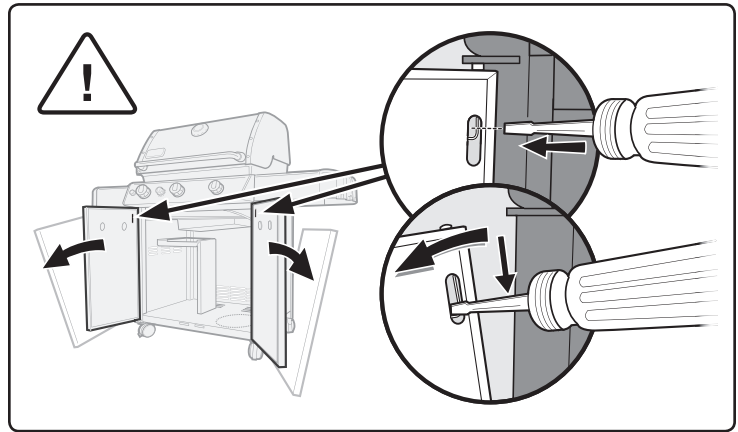
- Mezcle agua y jabón.
- Abra el suministro de gas (1).
- Compruebe la existencia de fugas mojando las conexiones con la solución de agua y jabón y viendo si se generan burbujas. Si se forman burbujas, o si una burbuja crece, es que hay una fuga.

Si hay una fuga, cierre el gas y apriete la conexión. Abra el gas de nuevo y con la solución de jabón y agua vuelva a verificar que no existan fugas. Si la fuga no cesa no utilice la barbacoa. Contacte al Representante de Servicios al Cliente en su área utilizando la información de contacto en nuestro sitio web. Conéctese a www.weber.com.

- Cuando se haya completado la comprobación de las fugas de gas, cierre el suministro de gas en la fuente y lave las conexiones con agua.

Nota: Dado que algunas soluciones para la detección de fugas, incluyendo el agua y jabón, pueden ser ligeramente corrosivas, todas las conexiones deberán enjuagarse con agua después de realizar la comprobación de las fugas.

⚠ **ADVERTENCIA:** Cada vez que conecte o desconecte una conexión de gas, deberá verificar que no hayan fugas de gas.



INSTRUCCIONES SOBRE EL GAS

Verifique

- A) La conexión de la manguera del regulador al tabique divisorio (1).
- B) La conexión de la línea de gas principal al tabique divisorio (2).
- C) La conexión de la línea de gas principal al múltiple (3).
- D) La conexión de la línea de gas del quemador lateral al múltiple (4).
- E) La conexión de la tubería del quemador lateral a la copa del quemador lateral (5).
- F) La conexión de la tubería del quemador lateral a las conexiones de la válvula del quemador lateral (6).

⚠ **ADVERTENCIA:** Si hubiese una fuga en una conexión (1, 2, 3, 4, 5 o 6), vuelva a apretar la conexión con una llave y con la solución de agua y jabón vuelva a verificar que no hayan fugas de gas. Si una fuga persiste aún después de volver a apretar la conexión, **CIERRE el gas. NO OPERE LA BARBACOA.** Contacte al Representante de Servicios al Cliente en su área utilizando la información de contacto en nuestro sitio web. Conéctese a www.weber.com®.

- G) La conexión de la desconexión rápida del quemador lateral (7).
- H) La conexión de la manguera del regulador al cilindro (8).
- I) La conexión de la manguera del regulador al regulador (9).
- J) Las conexiones de las válvulas al múltiple (10).

⚠ **ADVERTENCIA:** Si hubiese una fuga en las conexiones (7, 8, 9 o 10), **CIERRE el gas. NO OPERE LA BARBACOA.** Contacte al Representante de Servicios al Cliente en su área utilizando la información de contacto en nuestro sitio web. Conéctese a www.weber.com®.

Cuando se hayan completado las revisiones para detectar fugas de gas, **CIERRE el suministro de gas** y enjuague las conexiones con agua.

Reinstale el panel de control

Necesitará: un destornillador Phillips

- A) Posicione el borde superior del panel de control sobre las pestañas del bastidor. Empuje hacia abajo para que encaje su sitio.
- B) Reinstale el módulo de encendido.
- C) Deslice las dos pestañas más cortas del deflector de viento hacia el borde interno del panel de control mientras desliza la pestaña más larga sobre el borde externo. Como referencia, ubique las ilustraciones previas.
- E) Alinee los tornillos con los orificios de los tornillos tanto en el soporte del panel de control como en el bastidor.
- F) Apriete los tornillos.
- G) Coloque las perillas de control correspondientes sobre los vástagos de las válvulas. ♦

CÓMO RECARGAR EL CILINDRO DE PROPANO LICUADO

Le recomendamos que llene su cilindro de gas propano licuado antes de que éste se vacíe por completo.

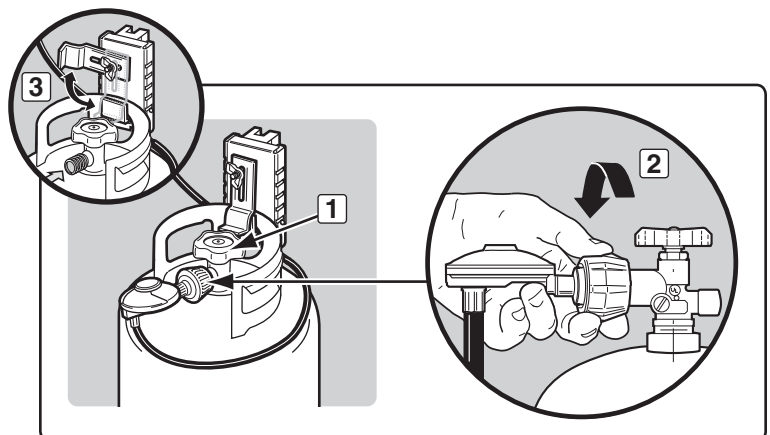
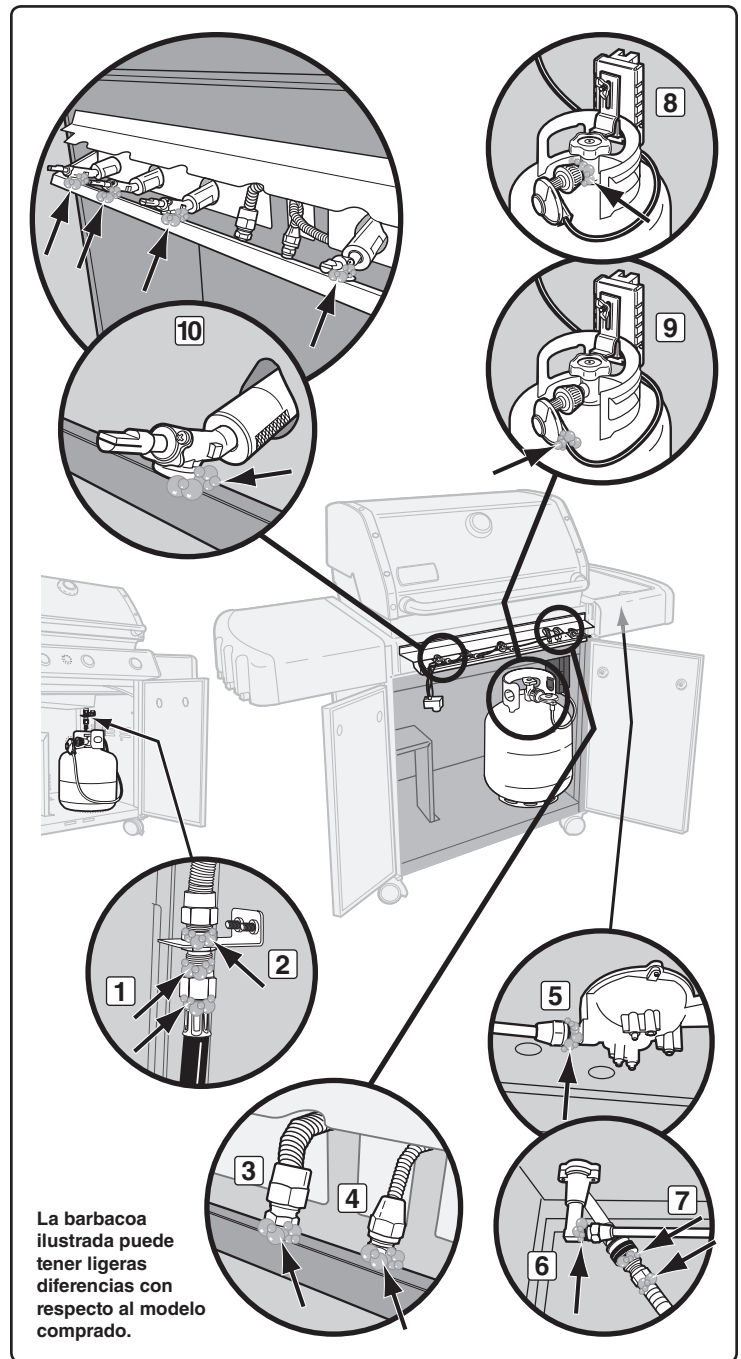
Cómo retirar el cilindro de gas propano licuado.

- A) Cierre la válvula del tanque (gire en el sentido de las agujas del reloj) (1).
- B) Desenrosque el cople del regulador girándolo, solamente a mano, en sentido contrario a las agujas del reloj (2).
- C) Afloje la tuerca de mariposa del seguro del cilindro y voltee el seguro hacia arriba para que no moleste (3).
- D) Levante el cilindro del soporte.

Para llenar un cilindro de gas propano, llévalo a un expendedor de gas propano, o busque a otros suplidores bajo "gas propano" en el directorio telefónico.

⚠ **ADVERTENCIA:** Recomendamos llenar su cilindro de gas propano licuado con un distribuidor de gas propano autorizado que tenga un encargado debidamente calificado y que llene el tanque en base a peso. **EL LLENADO INCORRECTO ES PELIGROSO.**

⚠ **PRECAUCIÓN:** Siempre que el cilindro esté sin usarse, coloque la capucha antipolvo sobre la salida de la válvula del mismo. Sólo instale sobre la salida de la válvula el tipo de capucha antipolvo con la que vino provista la misma. Otros tipos de capuchas o tapones pudieran causar fugas de propano. ♦

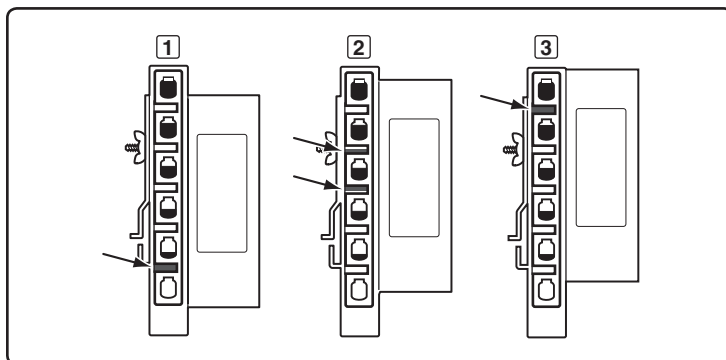


ANTES DE UTILIZAR LA BARBACOA

NIVEL DE COMBUSTIBLE

Verifique el nivel de combustible viendo la línea de color indicadora del nivel, ubicada al lado de la escala del tanque.

- A) Vacío (1)
- B) Medio (2)
- C) Lleno (3) ♦



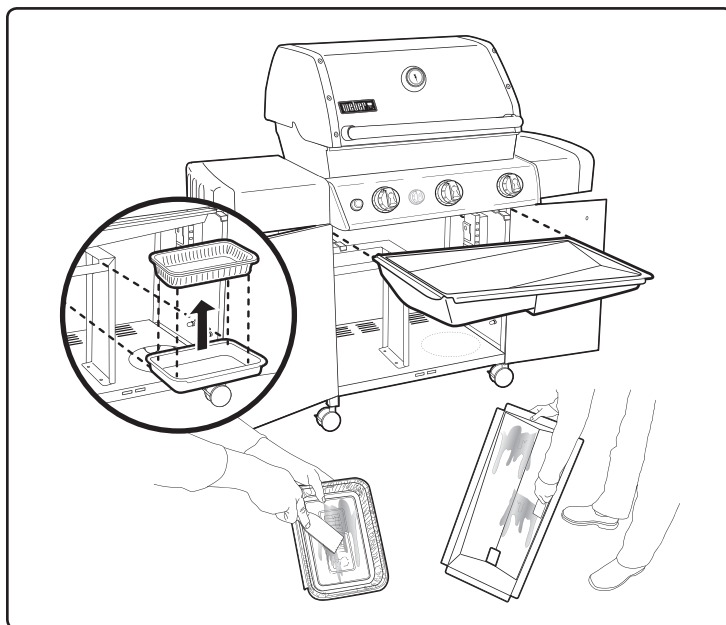
BANDEJA CORREDIZA RECOLECTORA DE GRASA Y BANDEJA DESECHABLE DE GOTEO

La barbacoa lleva incorporada un sistema de captación de grasa. Cada vez que vaya utilizar la barbacoa, revise la bandeja corrediza recolectora de grasa y la bandeja desechable de goteo para cerciorarse de que no se haya acumulado grasa en las mismas.

Retire el exceso de grasa con una espátula plástica; vea a la ilustración. Cuando sea necesario, lave la bandeja de grasa y la bandeja del goteo con una solución de agua y jabón, y luego enjuáguelas con agua limpia. Reemplace la bandeja desechable de goteo en la medida que sea necesario.

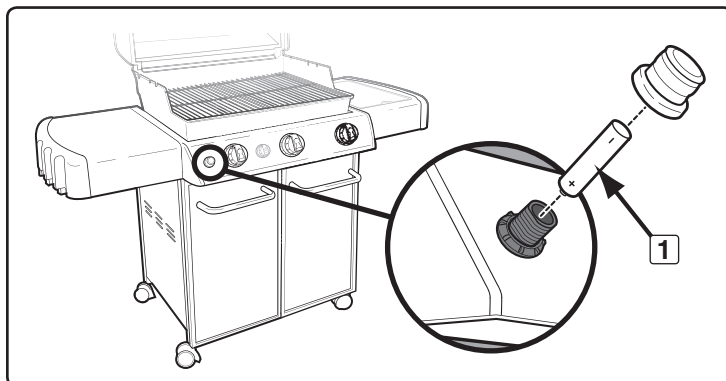
⚠ ADVERTENCIA: Cada vez que vaya utilizar la barbacoa, revise la bandeja corrediza recolectora de grasa y la bandeja desechable de goteo para cerciorarse de que no se haya acumulado grasa en las mismas. Retire cualquier exceso de grasa para evitar un incendio de grasa. Un incendio de grasa puede causar lesiones corporales graves o daños materiales.

⚠ PRECAUCIÓN: No forre la bandeja corrediza recolectora de grasa con hoja de aluminio. ♦



INSPECCIÓN DEL ENCENDEDOR ELECTRÓNICO

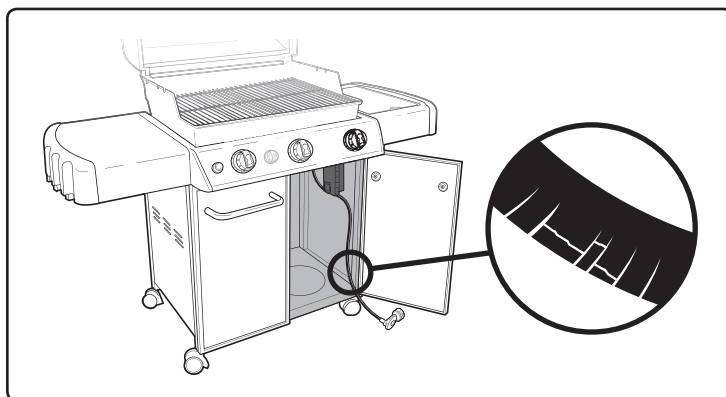
Verifique que la batería AA (solamente alcalinas) esté en buenas condiciones y correctamente instalada (1). Algunas baterías tienen una envoltura práctica protectora alrededor de ellas. Este plástico debe sacarse. No confunda este plástico con la etiqueta de la batería. ♦



INSPECCIÓN DE LA MANGUERA

Se deberá inspeccionar la manguera para ver si tiene alguna señal de agrietamiento.

⚠ ADVERTENCIA: Inspeccione la manguera previo a cada uso de la barbacoa y asegúrese de que no tenga muescas, grietas, abrasiones o cortes. Si se encontrase que la manguera estuviese dañada de cualquier manera, no utilice la barbacoa. Reemplácela solamente con una manguera de repuesto autorizada por Weber®. Contacte al Representante de Servicios al Cliente en su área utilizando la información de contacto en nuestro sitio web. Conéctese a www.weber.com®. ♦



ENCENDIDO Y USO DEL QUEMADOR PRINCIPAL

ENCENDIDO DEL QUEMADOR PRINCIPAL

Instrucciones resumidas para el encendido se encuentran dentro de la puerta izquierda del gabinete.

⚠ PELIGRO

El no abrir la tapa mientras se esté encendiendo el quemador de la barbacoa, o no esperar cinco minutos para que el gas se disipe si la barbacoa no se enciende, puede resultar en una llamarada explosiva, la cual puede causar lesiones corporales serias o la muerte.

Sistema de encendido electrónico

Nota: Cada perilla de control opera un quemador individual. El sistema de encendido electrónico enciende los quemadores mediante una chispa del electrodo de ignición ubicado dentro de la cámara de encendido Gas Catcher™. Usted genera la energía para la chispa al presionar el botón de encendido electrónico. Lo oír hacer clic.

⚠ **ADVERTENCIA:** Inspeccione la manguera previo a cada uso de la barbacoa y asegúrese de que no tenga muescas, grietas, abrasiones o cortes. Si se encontrase que la manguera estuviese dañada de cualquier manera, no utilice la barbacoa. Reemplácela solamente con una manguera de repuesto autorizada por Weber®. Contacte al Representante de Servicios al Cliente en su área utilizando la información de contacto en nuestro sitio web. Conéctese a www.weber.com®.

A) Abra la tapa (1).
B) Asegúrese de que todas las perillas de control del quemador estén apagadas (2). (Presione la perilla de control y gírela en dirección de las manecillas del reloj para asegurarse de que esté en la posición OFF (apagada).)

⚠ **ADVERTENCIA:** Las perillas de control del quemador deberán estar en la posición OFF (apagadas) antes de abrir la válvula del tanque de propano licuado. Si no están en la posición OFF (apagadas) cuando abra la válvula del tanque de propano licuado, el “control de exceso de flujo de gas” se activará y limitará el flujo de gas desde el tanque de propano licuado. Si esto llegase a ocurrir, cierre la válvula del tanque de propano licuado y las perillas de control del quemador. Empiece de nuevo.

⚠ PELIGRO

Cuando se activa el “control de exceso de flujo de gas”, una pequeña cantidad de gas sigue aún fluyendo a los quemadores. Después de cerrar la válvula del tanque de propano licuado y las perillas de control del quemador, espere por lo menos cinco minutos para que el gas se disipe antes de tratar de encender la barbacoa. El no hacer esto podría resultar en una llamarada explosiva que pudiera causar lesiones corporales serias o la muerte.

C) Abra el suministro de gas del cilindro girando lentamente la válvula del cilindro en dirección contraria a las manecillas del reloj (3).

⚠ **ADVERTENCIA:** No se incline sobre la barbacoa abierta.

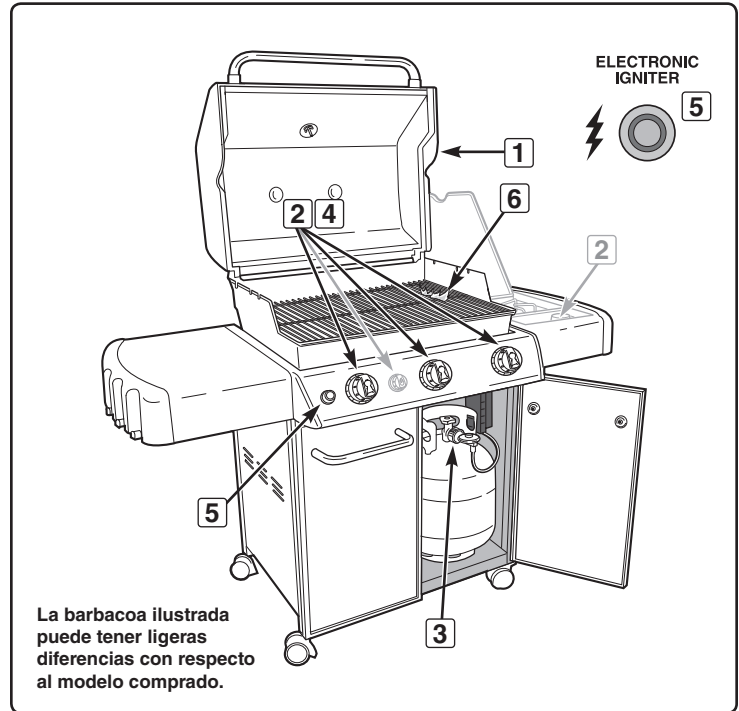
D) Presione la perilla de control y gírela hacia START/HI (encendido/fuego alto) (4).

E) Presione y mantenga presionado el botón de encendido electrónico. Lo oír hacer clic (5).

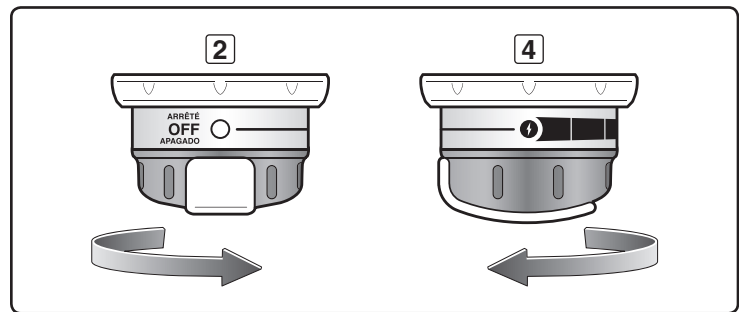
F) Revise que el quemador esté encendido viendo hacia abajo a través de las rejillas de cocción. Deberá ver una llama. (6).

⚠ **ADVERTENCIA:** Si el quemador no se enciende en cinco o segundos, pare, gire la perilla del control a la posición OFF (apagado) y espere cinco minutos para permitir que el gas se disipe antes de tratar de nuevo o de tratar de encenderlo con un cerillo.

G) Para encender los quemadores restantes siga los pasos D al F. ♦



La barbacoa ilustrada puede tener ligeras diferencias con respecto al modelo comprado.



PARA APAGAR

Presione y gire cada una de las perillas de control de los quemadores en dirección de las manecillas del reloj a la posición OFF (apagado). Cierre el suministro de gas en la fuente del mismo. ♦

ENCENDIDO Y USO DEL QUEMADOR PRINCIPAL

ENCENDIDO MANUAL DEL QUEMADOR PRINCIPAL

⚠ PELIGRO

El no abrir la tapa mientras se esté encendiendo el quemador de la barbacoa, o no esperar cinco minutos para que el gas se disipe si la barbacoa no se enciende, puede resultar en una llamarada explosiva, la cual puede causar lesiones corporales serias o la muerte.

- A) Abra la tapa (1).
- B) Asegúrese de que todas las perillas de control del quemador estén apagadas (2). (Presione la perilla de control gírela en dirección de las manecillas del reloj para asegurarse de que esté en la posición OFF (apagada).)

- ⚠ **ADVERTENCIA:** Las perillas de control del quemador deberán estar en la posición OFF (apagadas) antes de abrir la válvula del tanque de propano licuado. Si no están en la posición OFF (apagada) cuando abra la válvula del tanque de propano licuado, el “control de exceso de flujo de gas” se activará y limitará el flujo de gas desde el tanque de propano licuado. Si esto llegase a ocurrir, cierre la válvula del tanque de propano y las perillas de control del quemador. Empiece de nuevo.

⚠ PELIGRO

Cuando se activa el control de exceso de flujo, una pequeña cantidad de gas sigue fluyendo a los quemadores. Después de cerrar la válvula del tanque y las perillas de control del quemador, espere por lo menos cinco minutos para que el gas se disipe antes de tratar de encender la barbacoa. El no hacer esto podría resultar en una llamarada explosiva que pudiera causar lesiones corporales serias o la muerte.

- C) Abra el suministro de gas del cilindro girando lentamente la válvula del cilindro en dirección contraria a las manecillas del reloj (3).
- D) Coloque el cerillo en el portacerillos y enciéndalo.
- E) Inserte el portacerillos con el cerillo encendido a través de las parrillas de cocción y las barras Flavorizer® para encender el quemador seleccionado (4).

- ⚠ **ADVERTENCIA:** No se incline sobre la barbacoa abierta.

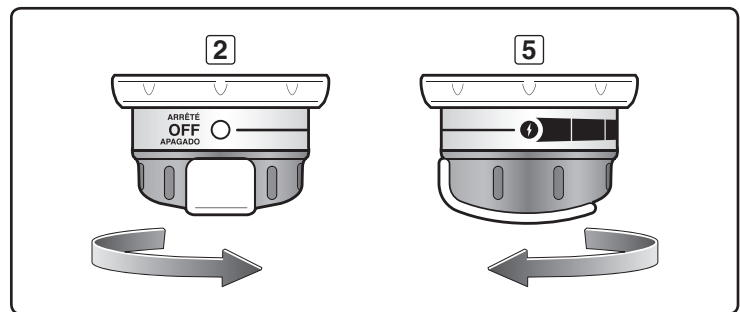
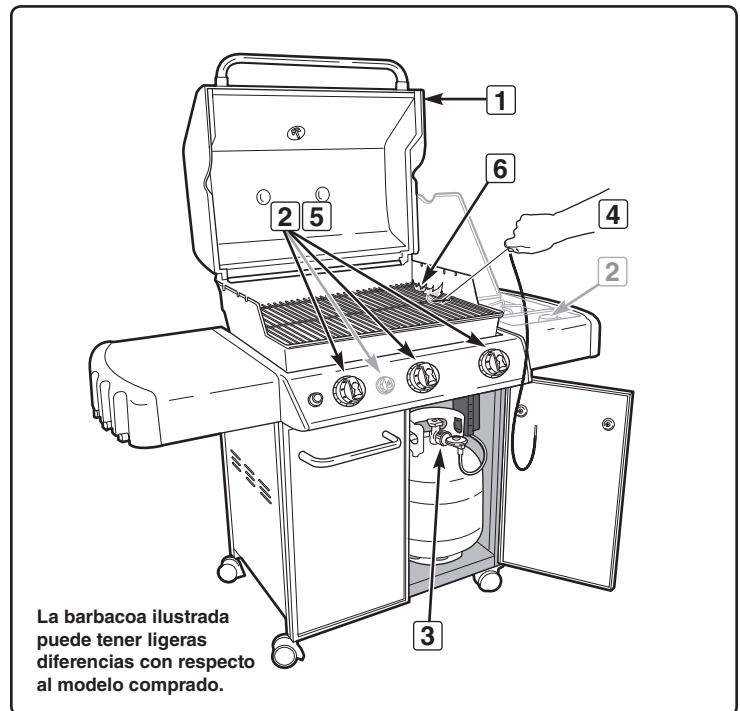
- F) Presione la perilla de control y gírela hacia START/HI (encendido/fuego alto) (5).
- G) Revise que el quemador esté encendido viendo hacia abajo a través de las rejillas de cocción. Deberá ver una llama (6).

- ⚠ **ADVERTENCIA:** Si el quemador no se enciende en cinco segundos, pare, gire la perilla del control a la posición OFF (apagado) y espere cinco minutos para permitir que el gas se disipe antes de tratar de nuevo o de tratar de encenderlo con un cerillo.

- H) Para encender los quemadores restantes siga los pasos D al G. ♦

PARA APAGAR

Presione y gire cada una de las perillas de control de los quemadores en dirección de las manecillas del reloj a la posición OFF (apagado). Cierre el suministro de gas en la fuente del mismo. ♦



ENCENDIDO Y USO DE LA ESTACIÓN DE DORADO “SEAR STATION®” (MODELO 330)

ENCENDIDO DEL QUEMADOR DE LA ESTACIÓN DE DORADO “SEAR STATION®”

El modelo 330 incluye un quemador para dorar. El quemador para dorar también funciona como un quemador individual. Por lo tanto, el encendido del quemador para dorar es igual al del encendido del quemador principal. Para encender el quemador para dorar consulte la sección “ENCENDIDO DEL QUEMADOR PRINCIPAL” ♦

ENCENDIDO MANUAL DEL QUEMADOR DE LA ESTACIÓN DE DORADO “SEAR STATION®”

Para encender manualmente el quemador para dorar consulte la sección “ENCENDIDO MANUAL DEL QUEMADOR PRINCIPAL.” ♦

CÓMO USAR LA ESTACIÓN DE DORADO “SEAR STATION®”

La barbacoa de gas Weber® incluye un quemador para dorar carnes como los bistecs, partes de aves, pescado y chuletas.

Ésta es una técnica de asado directo que dora la superficie de los alimentos a altas temperaturas. Al dorar ambas partes de la carne creará un sabor más gustoso mediante la caramelización de la superficie de los alimentos. El dorar también mejorará la apariencia de la carne con las marcas de dorado de la parrilla de cocción. Esto, junto con el contraste de texturas y sabores, puede hacer el alimento más interesante al paladar.

El quemador de la estación de dorado “Sear Station®” tiene un ajuste de control OFF, START/Hi, y LOW que funciona conjuntamente con los quemadores izquierdo y central. Con los quemadores adyacentes y el quemador para dorar usted puede dorar las carnes de manera efectiva mientras usa el quemador derecho para asar bajo calor moderado.

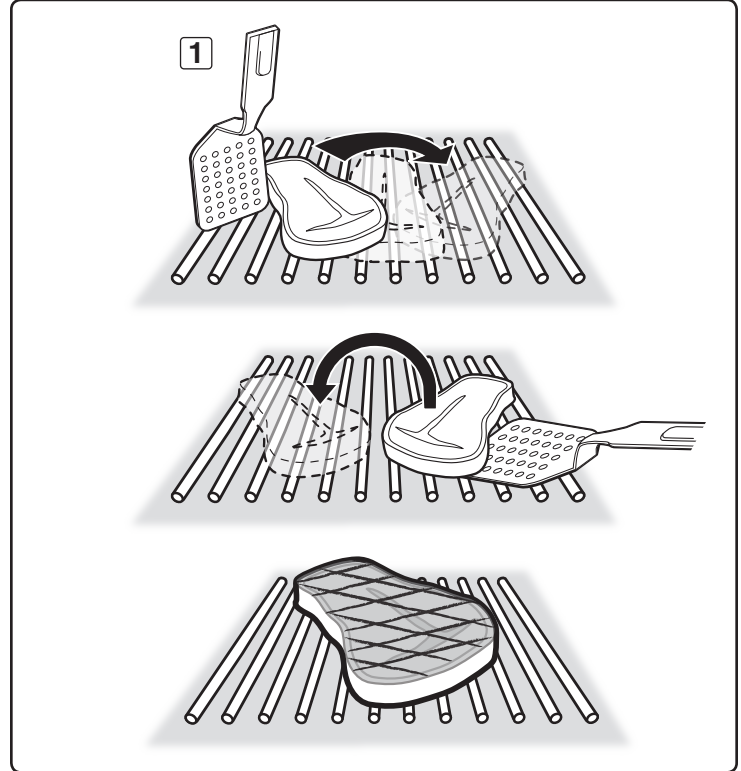
Antes de empezar a dorar deberá colocar todos los quemadores principales a fuego alto (Hi) durante 15 minutos para precalentar la barbacoa. Siempre ase con la tapa cerrada para lograr el calor máximo y evitar llamaradas.

Una vez precalentada la barbacoa, apague o baje el quemador derecho. Deje los quemadores izquierdo y central en la posición Hi (fuego alto) y encienda el quemador de la estación de dorado®.

Coloque la carne directamente sobre la estación de dorado “Sear Station®”. Dore cada lado entre 1 y 4 minutos, según el tipo y espesor de la carne. Puede girar la carne un cuarto de vuelta para dejar marcas de dorado cruzadas (1) antes de dorar el otro lado de la misma manera.

Una vez haya terminado de dorar, puede terminar de asar la carne moviéndola a un calor más moderado sobre el calentador derecho para alcanzar el grado de cocción deseado.

En la medida que gane más experiencia con la estación de dorado “Sear Station®”, lo animamos a que experimente usando diferentes tiempos de dorado para ver cual va más acorde a su gusto. ♦



CONSEJOS PRÁCTICOS PARA ASAR

- Siempre precaliente la barbacoa antes de cocinar en la misma. Ajuste todos los quemadores a la posición llama alta y cierre la tapa, caliente durante 10 minutos, o hasta que el termómetro marque 500°-550° F (260°-288° C).
- Para alimentos siempre perfectamente asadas, dore la carnes y cocine con la tapa cerrada.
- Los tiempos de asado en las recetas son en base a una temperatura ambiental de 70° F (20° C) y poco o ningún viento. Permita un mayor tiempo de cocción en días fríos o de viento, o a mayores altitudes. Permita menos tiempo de cocción en climas extremadamente calurosos.
- Los tiempos pueden variar a causa del clima, o la cantidad, tamaño y forma de los alimentos asados.
- La temperatura de operación de la barbacoa de gas podría ser más caliente de lo normal durante los primeros usos.
- Las condiciones de asado pueden requerir el ajuste de los controles de los quemadores para obtener las temperaturas de cocción correctas.
- Por lo general, las piezas de carne más grandes requerirán mayor tiempo de cocción por libra que las piezas más chicas. Los alimentos abarrotados sobre una parrilla de cocción requerirán de más tiempo de cocción que sólo unos pocos alimentos. Los alimentos asados dentro de recipientes, tales como judías en salsa de tomate, tomarán más tiempo si se cocinan en una cacerola profunda que en una olla llana.
- Recorte el exceso de grasa de los bistecs, chuletas y asados, dejando apenas ¼ de pulgada (6.4 mm) de grasa. Menos grasa facilita la limpieza, y es una garantía casi absoluta contra las indeseadas llamaradas.
- Los alimentos colocados sobre la parrilla de cocción directamente encima de los quemadores pudieran requerir que se les dé la vuelta o que se les mueva a un área menos caliente.
- Use tenacillas en vez de un tenedor para dar vuelta y manipular las carnes para así evitar perder los jugos naturales. Use dos espátulas para manipular un pescado entero grande.
- Si llegase a ocurrir alguna llamarada indeseada, apague todos los quemadores y mueva los alimentos a otra zona de la parrilla de cocción. Cualquier llama se apagará rápidamente. Una vez que las llamas se apaguen, vuelva a encender la parrilla. **JAMÁS USE AGUA PARA EXTINGUIR LAS LLAMAS EN UNA PARRILLA DE GAS.**
- Algunos alimentos, tales como los guisos o los filetes delgados de pescado, requerirán de un recipiente para asarlos. Las ollas desechables de lámina son muy convenientes, pero puede usarse cualquier olla de metal con asas resistentes al calor.
- Asegúrese siempre de que la bandeja inferior y el plato recolector de grasa estén limpios y libres de desechos.
- No forre la bandeja deslizante de grasa con papel aluminio. Ello podría prevenir que la grasa fluya al plato recolector de grasa.
- El usar un temporizador le ayudará a alertarle cuando "bien cocido" esté a punto de convertirse en "sobre cocido."

Nota: Si la barbacoa pierde calor mientras se está cocinando refiérase a la sección de resolución de problemas de este manual.

⚠ ADVERTENCIA: No mueva la barbacoa de gas Weber® mientras esté en operación o esté caliente.

Puede ajustar los quemadores individuales a su gusto. Los ajustes de control (1) son APAGADO, ENCENDER/FUEGO ALTO, FUEGO MEDIO, y FUEGO BAJO.



Nota: La temperatura dentro de la caja de cocción durante las primeras ocasiones en que se use, cuando las superficies aún serán bastante reflectoras, podrá estar más caliente de lo que se indica en su libro de recetas. Las condiciones bajo las que se esté cocinando, tales como el viento y el tiempo, pueden hacer que se requieran ajustes a los controles de los quemadores para obtener las temperaturas de cocción correctas.

Si los quemadores se apagasen durante la cocción, apague todos los quemadores y espere 5 minutos antes de volver a encender. ♦

PRECALENTADO

La barbacoa de gas Weber® es un artefacto que utiliza la energía eficientemente. La misma opera a una baja tasa de consumo calorífico. Es importante precalentar la barbacoa antes de asar. Encienda su barbacoa de gas Summit® de acuerdo con las instrucciones en este Manual del Propietario. Para precalentar: tras encender gire los quemadores a la posición encendido/alto fuego, cierre la tapa, y caliente hasta que la temperatura alcance entre 500° y 550° F (260° y 290°C), la temperatura recomendada para asar. Esto tomará entre 10 y 15 minutos, dependiendo de tales condiciones como la temperatura del aire y el viento. ♦

COCCIÓN CUBIERTA

Todo asado deberá realizarse con la tapa cerrada para proporcionar un calor uniforme y con una circulación pareja. Con la tapa cerrada, la barbacoa de gas Summit® cocinará de manera muy parecida a un horno de convección. El termómetro en la tapa indica la temperatura de cocción dentro de la barbacoa. Todo precalentamiento y cocción se realiza con la tapa cerrada. Nada de miraditas - se pierde calor cada vez que usted abre la tapa. ♦

PRINGUES Y GRASA

Las barras del Flavorizer® han sido diseñadas para "ahumar" la cantidad correcta de pringues y así obtener una cocción con bastante sazón. Los jugos de cocción y el exceso de grasa se acumularán en el plato recolector debajo de la bandeja corredera inferior. Hay disponibles bandejas de goteo desechables que caben en el plato recolector.

⚠ ADVERTENCIA: Antes de cada uso, revise que no haya grasa acumulada en la bandeja de grasa y en el plato recolector. Retire el exceso de grasa para evitar que ésta se incendie en la bandeja corredera de grasa. ♦

EL SISTEMA FLAVORIZER®

Cuando los jugos de carne chorrean de la comida a las barras Flavorizer® colocadas a un ángulo especial, estas crean un humo que le da a la comida una sazón a barbacoa irresistible. Gracias al diseño único de los quemadores, las barras Flavorizer® y los flexibles controles de temperatura, los fogonazos descontrolados han sido virtualmente eliminados, pues USTED controla las llamas. Debido al diseño especial de las barras Flavorizer® y de los quemadores, las grasas en exceso son dirigidas a través de la bandeja de grasa al plato recolector de grasa. ♦

ESTACIÓN DE DORADO SEAR STATION®

Su barbacoa Weber® podría incluir un quemador para dorar carnes y pescados de poco espesor. El quemador de la estación de dorado Sear Station® tiene un ajuste de control OFF, START/HI o LOW (2) que funciona en conjunto con los dos quemadores principales adyacentes. Con el quemador para dorar y los quemadores adyacentes puede dorar las carnes de manera efectiva mientras usa las demás áreas de cocción para cocinar bajo calor moderado (consulte la sección "ENCENDIDO Y USO DE LA ESTACIÓN DE DORADO SEAR STATION® (MODELO 330)"). ♦



ENCENDIDO Y USO DEL QUEMADOR LATERAL

ENCENDIDO DEL QUEMADOR LATERAL

Dentro del puerta izquierda del gabinete se encuentran las instrucciones resumidas de encendido.

⚠ PELIGRO

El no abrir la tapa mientras se esté encendiendo el quemador lateral, o no esperar cinco minutos para que el gas se disipe si el quemador lateral no se enciende, puede resultar en una llamarada explosiva, la cual puede causar lesiones corporales serias o la muerte.

- ⚠ **ADVERTENCIA:** Inspeccione la manguera previo a cada uso de la barbacoa y asegúrese de que no tenga muescas, grietas, abrasiones o cortes. Si se encontrase que la manguera estuviese dañada de cualquier manera, no utilice la barbacoa. Reemplácela solamente con una manguera de repuesto autorizada por Weber®. Contacte al Representante de Servicios al Cliente en su área utilizando la información de contacto en nuestro sitio web. Conéctese a www.weber.com®.

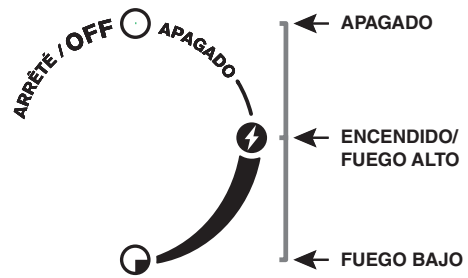
- A) Abra la tapa del quemador lateral (1).
- B) Verifique que la válvula del quemador lateral esté cerrada (2) (empuje la perilla de control hacia adentro y gírela en dirección de las agujas del reloj para asegurar de que esté en la posición APAGADO), coloque todos los quemadores que no se estén usando en la posición APAGADO (empujando hacia adentro y girando en la dirección de las agujas del reloj).
- C) Abra la válvula de suministro de gas (3).
- D) Presione y gire la válvula de control del quemador lateral a la posición ENCENDIDO/FUEGO ALTO (4).
- E) Pulse el botón de encendido varias veces de manera que cada vez haga clic hasta que vea una llama (5).

⚠ **PRECAUCIÓN:** En días soleados, la llama del quemador lateral puede ser difícil de ver.

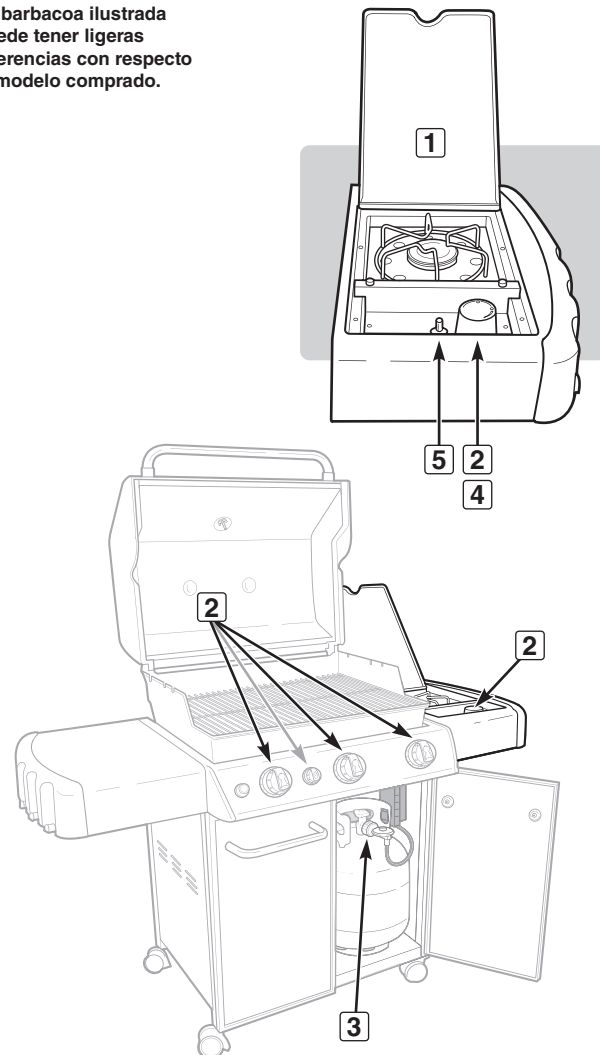
- ⚠ **ADVERTENCIA:** Si el quemador lateral no se enciende en cinco segundos:
- a) Cierre la válvula de control del quemador lateral, los quemadores principales y el suministro de gas en la fuente.
 - b) Espere cinco minutos para permitir que el gas se disipe antes de volver a tratar de de nuevo, o tratar de encender con un cerillo (vea “ENCENDIDO MANUAL DEL QUEMADOR LATERAL”). ♦

PARA APAGAR

Presione y gire la perilla de control del quemador lateral a la posición OFF (apagado). Asegúrese de que el quemador esté apagado y frío antes de cerrar la tapa del quemador lateral. ♦



La barbacoa ilustrada puede tener ligeras diferencias con respecto al modelo comprado.



ENCENDIDO Y USO DEL QUEMADOR LATERAL

ENCENDIDO MANUAL DEL QUEMADOR LATERAL

⚠ PELIGRO

El no abrir la tapa mientras se esté encendiendo el quemador lateral, o no esperar cinco minutos para que el gas se disipe si el quemador lateral no se enciende, puede resultar en una llamarada explosiva, la cual puede causar lesiones corporales serias o la muerte.

- A) Abra la tapa del quemador lateral (1).
- B) Verifique que la válvula del quemador lateral esté cerrada (2) (empuje la perilla de control hacia adentro y gírela en dirección de las agujas del reloj para asegurar de que esté en la posición APAGADO), coloque todos los quemadores que no se estén usando en la posición APAGADO (empujando hacia adentro y girando en la dirección de las agujas del reloj).
- C) Abra la válvula de suministro de gas (3).
- D) Coloque un cerillo en el portacerillos y enciéndalo.
- E) Aguante el portacerillos y encienda con el cerillo cualquier lado del quemador lateral (4).
- F) Presione y gire la válvula de control del quemador lateral a la posición fuego alto (5).

⚠ **PRECAUCIÓN:** En días soleados, la llama del quemador lateral puede ser difícil de ver.

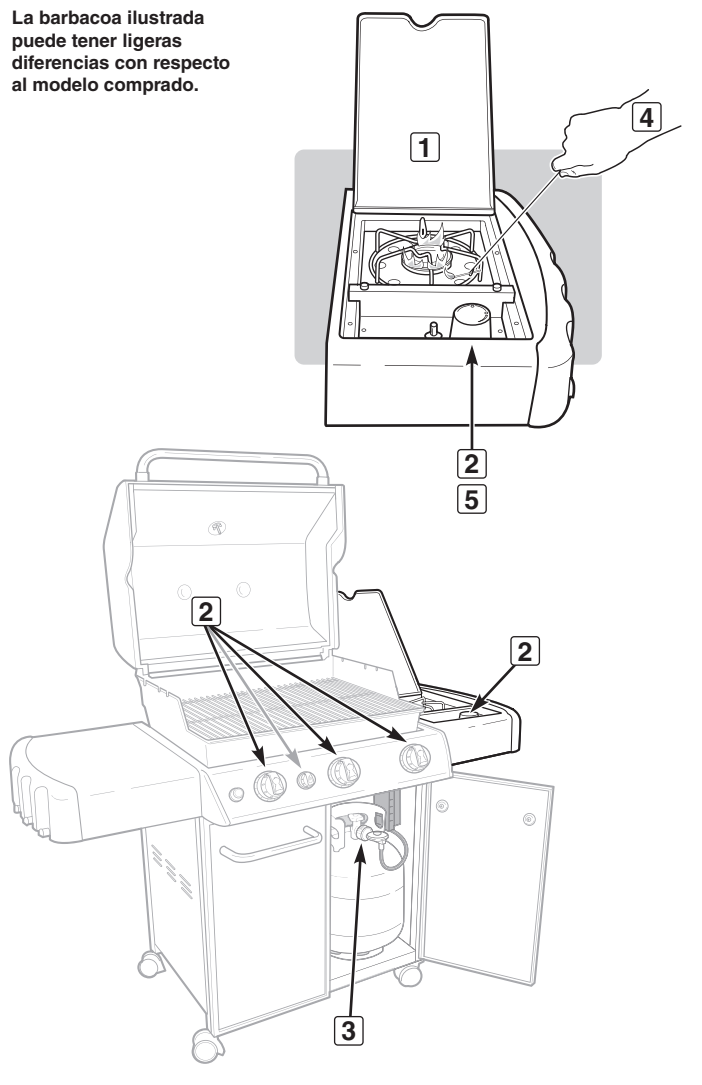
⚠ **ADVERTENCIA:** Si el quemador lateral no se enciende en cinco segundos:

- a) Cierre la válvula de control del quemador lateral, los quemadores principales y el suministro de gas en la fuente.
- b) Antes de probar de nuevo, espere cinco minutos para dejar que el gas se disipe. ♦

PARA APAGAR

Presione y gire la perilla de control del quemador lateral a la posición OFF (apagado). Asegúrese de que el quemador esté apagado y frío antes de cerrar la tapa del quemador lateral. ♦

La barbacoa ilustrada puede tener ligeras diferencias con respecto al modelo comprado.



RESOLUCIÓN DE PROBLEMAS

PROBLEMA	VERIFIQUE	SOLUCIÓN
Los quemadores queman con una llama amarilla o anaranjada, conjuntamente con un olor a gas.	Revise que no haya obstrucciones en la malla contra arañas e insectos. (Taponamiento de orificios.)	Limpie las mallas contra arañas e insectos. Consulte la sección "MANTENIMIENTO ANUAL"
Síntomas: Los quemadores no se encienden. -o- Los quemadores presentan una llama pequeña y parpadeante en la posición HI (fuego alto). -o- La temperatura de la barbacoa solamente alcanza 250° a 300° en la posición HI (fuego alto).	Puede haberse activado el dispositivo de seguridad contra el caudal excesivo, el cual es parte de la conexión de la barbacoa al cilindro.	Para restablecer el dispositivo de seguridad contra el caudal excesivo gire todas las perillas de control del quemador a la posición OFF (apagadas) y cierre la válvula del cilindro. Desconecte el regulador del cilindro. Gire las perillas de control de los quemadores a la posición HI (fuego alto). Espere por lo menos 1 minuto. Gire las perillas de control a la posición OFF (apagadas). Vuelva a conectar el regulador al cilindro. Abra la válvula del cilindro lentamente. Consulte la sección "ENCENDIDO DEL QUEMADOR PRINCIPAL"
El quemador no enciende, o la llama se mantiene baja en la posición HI (fuego alto).	¿Está el tanque de propano licuado vacío o bajo de combustible?	Rellene el tanque de propano licuado.
	¿Está doblada la manguera de combustible?	Enderece la manguera de combustible.
El quemador no se enciende al pulsar el botón de encendido.	Para asegurarse de que el gas esté fluyendo a los quemadores, trate de encender los quemadores con un cerillo. Consulte la sección "ENCENDIDO MANUAL DEL QUEMADOR PRINCIPAL"	Si logra encenderlos con un cerillo, el problema está en el sistema de encendido. Consulte la sección "OPERACIONES DE LOS SISTEMAS DE ENCENDIDO ELECTRÓNICO"
	¿Se tiene una batería fresca recién instalada?	Verifique que la batería esté en buen estado y correctamente instalada. Consulte la sección "INSPECCIÓN DEL ENCENDEDOR ELECTRÓNICO"
	¿Están todos los cables correctamente conectados al módulo encendedor?	Asegúrese de que los cables estén correctamente insertados dentro de los terminales en el cajetín de encendido. Consulte la sección "OPERACIONES DE LOS SISTEMAS DE ENCENDIDO ELECTRÓNICO"
	¿Está la nueva batería envuelta en plástico?	Quite la envoltura plástica.
Se producen llamaradas: ⚠ PRECAUCIÓN: No forre la bandeja deslizante para la grasa con papel aluminio.	¿Está precalentando la barbacoa de la manera indicada?	Coloque todos los quemadores en la posición HI (fuego alto) durante 10 a 15 minutos para precalentar la barbacoa.
	¿Están las rejillas de cocinar, los reflectores de calor y las barras Flavorizer® recubiertas con una capa gruesa de grasa quemada?	Límpielos a fondo. Consulte la sección "LIMPIEZA"
	¿Está sucia la bandeja deslizante de grasa y no deja que la grasa fluya al plato recolector?	Limpie la bandeja deslizante de grasa.
El quemador produce llamas con un patrón errático. La llama se mantiene baja cuando el quemador está en posición HI (fuego alto). Las llamas no corren a lo largo de todo el tubo del quemador.	¿Están limpios los quemadores?	Limpie los quemadores. Consulte la sección "MANTENIMIENTO"
La parte interna de la tapa pareciera estar "pelándose". (Se parece al desprendimiento de pintura.)	La parte interna de la tapa es de esmalte de porcelana o de acero inoxidable, y no está pintada. No puede "pelarse". Lo que está viendo es grasa asada que se ha convertido en carbón y se está descascarando. ESTO NO ES UN DEFECTO.	Limpie a fondo. Consulte la sección "LIMPIEZA"
Las puertas del gabinete no están alineadas.	Revise el esparrago de ajuste en la parte inferior de cada puerta.	Afloje la tuerca o tuercas de ajuste. Deslice la puerta o puertas hasta quedar alineadas. Apriete la tuerca.
Si los problemas no pueden corregirse usando cualquiera de estos métodos, sírvase contactar al Representante de Atención al Cliente en su área usando la información de contacto en nuestro sitio web. Conéctese a www.weber.com ®.		

RESOLUCIÓN DE PROBLEMAS CON EL QUEMADOR LATERAL

PROBLEMA	REVISAR	SOLUCIÓN
El quemador lateral no se enciende.	¿Está cerrado el suministro de gas? Puede haberse activado el dispositivo de seguridad de caudal excesivo, el cual es parte de la conexión de la barbacoa al cilindro.	Abra el suministro de gas. Para restablecer el dispositivo de seguridad de caudal excesivo cierre todas las perillas de control de los quemadores y la válvula del cilindro. Desconecte el regulador del cilindro. Gire la perilla de control a la posición ENCENDIDO/ FUEGO ALTO. Espere por lo menos 1 minuto. Gire las perillas de control a la posición OFF. Vuelva a conectar el regulador del cilindro. Lentamente abra la válvula del cilindro. Consulte la sección "ENCENDIDO DEL QUEMADOR LATERAL"
La llama se mantiene baja en la posición FUEGO ALTO.	¿Está doblada la manguera de combustible?	Enderece la manguera.
El botón de encendido no funciona.	¿Se enciende el quemador con un cerillo?	Si un cerillo enciende el quemador, revise el encendedor. Consulte la sección "MANTENIMIENTO DEL QUEMADOR LATERAL"
Si los problemas no pueden corregirse usando cualquiera de estos métodos, por favor contacte al Representante de Atención al Cliente en su área usando la información de contacto en nuestro sitio web. Conéctese a www.weber.com .		

MANTENIMIENTO

LIMPIEZA

⚠ **ADVERTENCIA:** Apague la barbacoa de gas Weber® y espere a que se enfríe antes de limpiarla.

⚠ **PRECAUCIÓN:** No limpie las barras Flavorizer® o las parrillas cocción en un horno autolimpiante.

Superficies Externas - Utilice una solución de agua jabonosa tibia para limpiarlas y luego enjuáguelas con agua.

⚠ **PRECAUCIÓN:** Sobre la superficie de la barbacoa o del carro no utilice limpiadores de horno, limpiadores abrasivos (limpiadores de cocinas), limpiadores que contengan productos cítricos, o almohadillas de limpieza abrasivas.

Deslice hacia afuera la bandeja del fondo - Retire el exceso de grasa, luego lávela con agua jabonosa tibia y finalmente enjuáguela.

⚠ **PRECAUCIÓN:** No forre la bandeja deslizante para la grasa con papel aluminio.

Barras Flavorizer® y rejillas de cocción - Límpielas con un cepillo de cerdas de acero inoxidable adecuado. Según se requiera, retírela de la barbacoa y lávela con agua jabonosa tibia y luego enjuáguela con agua.

Para averiguar donde comprar las parrillas de cocción y las barras Flavorizer® de reemplazo, contacte al Representante de Atención al Cliente en su área usando la información de contacto en nuestro sitio web. Conéctese a www.weber.com.

Plato recolector - Hay disponibles bandejas desechables de lámina de metal, o usted mismo puede forrar el plato recolector con papel aluminio. Para limpiar el plato recolector, lávelo con agua jabonosa tibia y luego enjuague.

Termómetro - Pásele un trapo con agua tibia jabonosa, y límpielo con una pelota plástica de fregar.

Caja de cocción - Quite cualquier resto de los tubos del quemador. NO AGRANDE LAS ABERTURAS DE LOS QUEMADORES. Lave la parte interior de la caja de cocción con agua jabonosa y luego enjuáguela con agua.

Tapa interna - Mientras la tapa esté tibia, limpie la parte interna con una toalla de papel para prevenir la acumulación de grasa. La grasa acumulada escamada se asemeja a las escamas de pintura.

Superficies de acero inoxidable - Lávelas con un paño suave y una solución de agua y jabón. Tenga cuidado de fregarlas en la dirección del grano del acero inoxidable.

No utilice limpiadores que contengan ácido, destilado de petróleo o xileno. Enjuáguelas bien después de lavarlas.

Preserve su acero inoxidable - La barbacoa o su gabinete, tapa, panel de control y estantes pudieran estar hechos de acero inoxidable. Es sencillo mantener vistoso al acero inoxidable. Límpielo con agua y jabón, enjuáguelo con agua limpia y séquelo con un trapo. Para partículas difíciles de sacar, se puede usar un cepillo no metálico.

⚠ **IMPORTANTE:** No utilice cepillos de alambre o limpiadores abrasivos sobre las superficies de acero inoxidable ya que las rayarán.

⚠ **IMPORTANTE:** Al limpiar las superficies asegúrese de frotar/restregar en la dirección del grano para preservar la vistosidad del acero inoxidable. ♦

MALLAS WEBER® CONTRA ARAÑAS E INSECTOS

La barbacoa de gas Weber®, al igual que cualquier otro aparato de gas al aire libre, es un blanco para las arañas y demás insectos. Pueden crear sus nidos en la sección del venturi (1) del tubo quemador. Esto bloquea el flujo normal de gas, y puede causar que el gas fluya hacia atrás por la válvula de aire de combustión. Esto puede resultar en un fuego en y alrededor de las aberturas para el aire de combustión, causando un daño serio a la barbacoa.

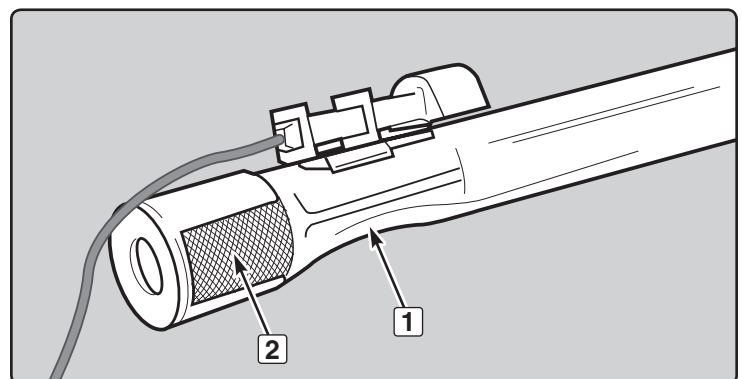
La compuerta de cierre del aire del tubo quemador está equipada con una malla (2) de acero inoxidable para prevenir la entrada de arañas e insectos a los tubos quemadores a través de las aberturas para el aire de combustión.

Le recomendamos que inspeccione las mallas contra arañas e insectos por lo menos una vez al año (vea "MANTENIMIENTO ANUAL"). También, inspeccione y limpie dichas mallas si cualquiera de los siguientes síntomas se presentase:

- A) Olor a gas en conjunción con llamas del quemador con un apariencia muy amarilla y floja.
- B) La barbacoa no alcanza la temperatura de funcionamiento.
- C) La barbacoa se calienta de manera dispareja.
- D) Uno o más quemadores no se encienden.

⚠ PELIGRO

El no corregir estos síntomas pudiera resultar en un fuego que puede causar lesiones corporales serias o la muerte y daños a la propiedad. ♦



LIMPIEZA O REEMPLAZO DE LOS TUBOS QUEMADORES

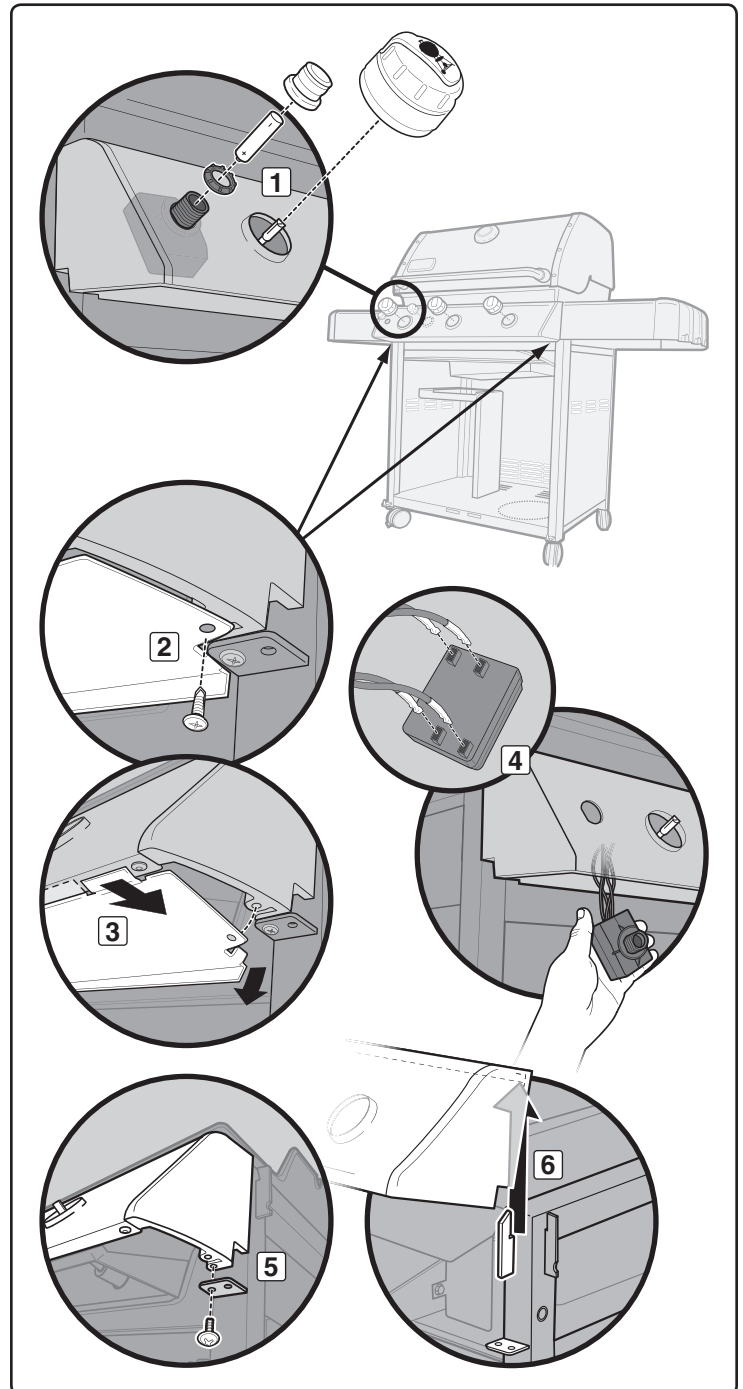
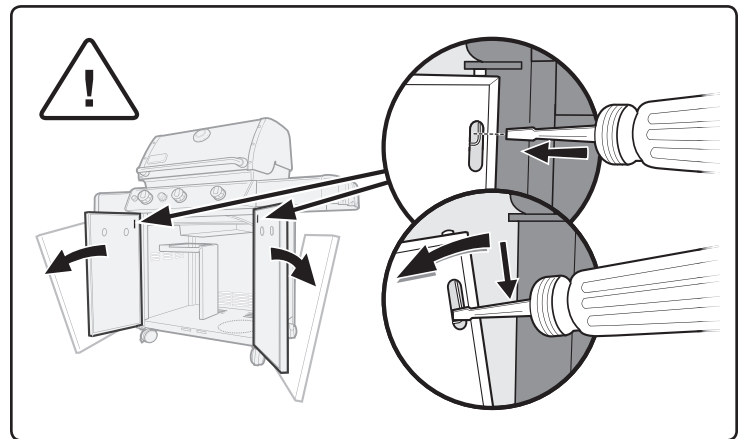
Usted necesitará: un destornillador Phillips y un destornillador de cabeza plana.

- A) La barbacoa de gas Weber® debe estar APAGADA y fría.
- B) CIERRE el gas en la fuente.
- C) Retire los componentes de la caja de cocción: la rejilla de calentamiento, las parrillas y las barras Flavorizer®. (Las placas de distribución del calor no necesitan retirarse.)

Retiro del panel de control

Para retirar el panel de control:

- A) Retire las perillas de control, el botón de encendido, la tuerca de retención del encendedor y la batería (1).
- B) Con un destornillador Phillips, saque los tornillos del deflector (2) de viento ubicados debajo del panel de control.
- C) Incline el extremo del deflector de viento hacia abajo y deslícelo para sacarlo (3).
- D) Retire el módulo de ignición del panel de control (4) y saque todos los cuatro cables del módulo.
- E) Saque los tornillos de la parte de abajo del panel de control con un destornillador Phillips (5).
- F) Levante el panel de control ligeramente, incline el borde delantero hacia arriba y con cuidado levántelo y sáquelo (6).



Retiro del tubo quemador

Para retirar el o los tubos quemadores:

- Saque el o los cables de encendido de los clips de encendido (7).
- Con un destornillador de cabeza plana, saque el tornillo que fija el tubo quemador a la caja de cocción (8).
- Hale el conjunto del tubo quemador (que incluye el encendedor) hacia arriba y fuera de la caja de cocción (9).

Nota: Las unidades 310/320 tendrán un cable adicional de conexión a tierra conectado al tubo quemador central (10).

Limpieza de los tubos quemadores

Para limpiar los tubos quemadores:

- Revise la parte interna del quemador con una linterna (11).
- Limpie la parte interna de los quemadores con un alambre (12) (un gancho de ropa enderezado funcionará bien).
- Revise y limpie la abertura de las compuertas de cierre del aire en los extremos de los quemadores. Revise y limpie los orificios de las válvulas en la base de las válvulas. Utilice un cepillo de cerdas de acero para limpiar la parte externa de los quemadores (13). Se hace esto para asegurarse de que las aberturas de los quemadores estén completamente abiertas.

⚠ PRECAUCIÓN: Al limpiar, no agrande las aberturas del quemador.

Reinstalación del tubo quemador

Para reinstalar los tubos quemadores:

- Deslice el tubo quemador y el cable del encendedor a través del orificio en la caja de cocción (14). Consulte las "OPERACIONES DE LOS SISTEMAS DE ENCENDIDO ELECTRÓNICO" para ver la posición correcta del quemador.
- Alinee el tubo quemador con la válvula.

⚠ PRECAUCIÓN: Las aberturas del quemador (15) deberán posicionarse correctamente sobre los orificios de la válvula (16).

- Con un destornillador de cabeza plana, vuelva a instalar el tornillo que fija el tubo quemador a la caja de cocción (17). El tubo quemador podría aparentar estar flojo (17) cuando el tornillo esté bien ajustado. Esto es normal.

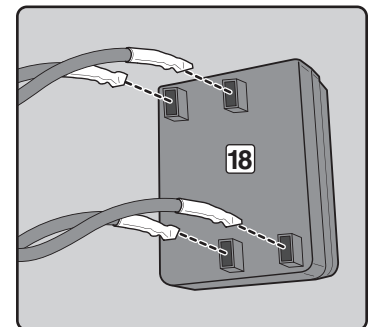
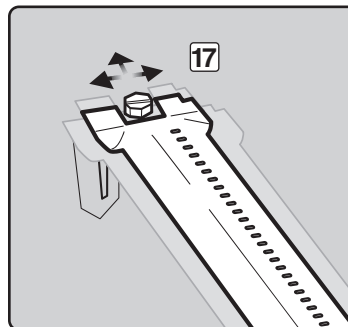
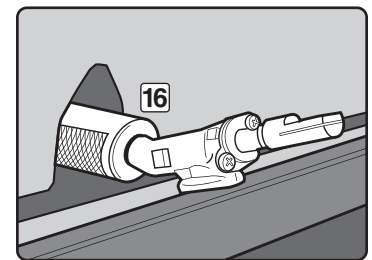
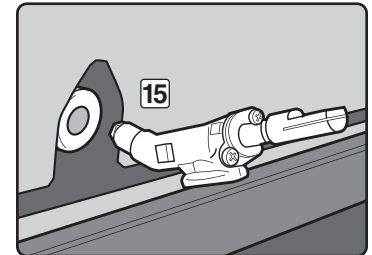
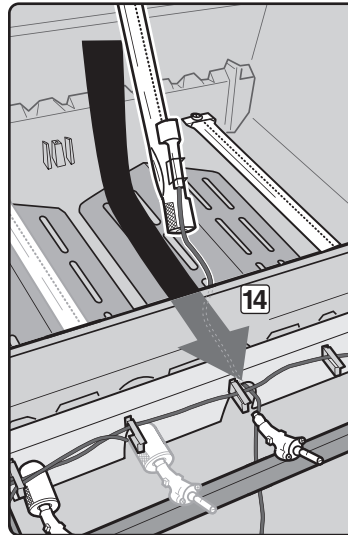
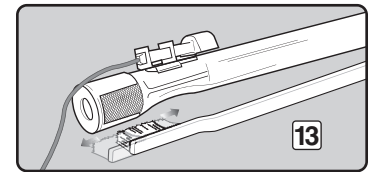
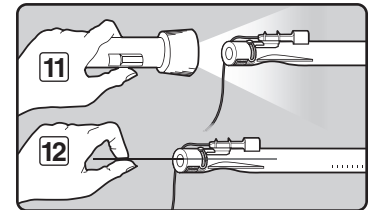
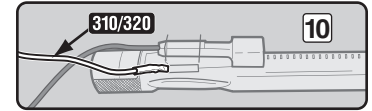
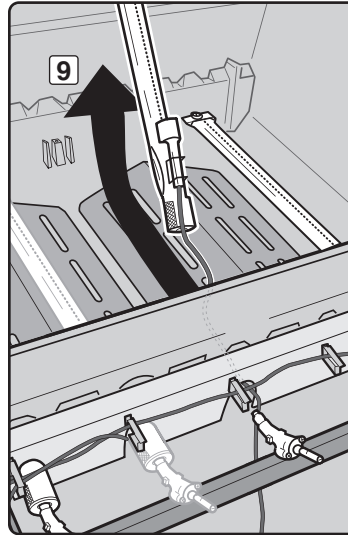
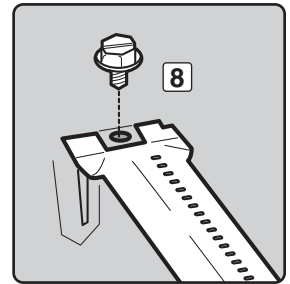
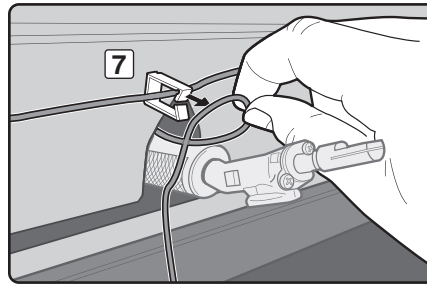
- Pase los cables de nuevo a través de los clips del encendedor. Consulte de nuevo la figura (7).

⚠ PRECAUCIÓN: Todos los cables deben estar correctamente pasados a través de los clips de los cables.

- Conecte los cables al módulo, de acuerdo a la codificación numérica o de colores (18). Para las conexiones correctas de los cables, consulte las "OPERACIONES DEL SISTEMA DE ENCENDIDO ELECTRÓNICO"

⚠ ADVERTENCIA: Después de reinstalar las líneas de gas, deberá verificarse que no tengas fugas usando una solución de agua y jabón antes de usar la barbacoa. (Vea el paso: "DETECCIÓN DE FUGAS DE GAS".)

⚠ ADVERTENCIA: Antes de poner a funcionar la barbacoa, asegúrese de que todas las partes estén ensambladas y que la tornillería esté totalmente apretada. Si no llegase a acatar esta advertencia respecto al producto, sus acciones podrían causar un fuego, una explosión o una falla estructural que pudieran resultar en lesiones personales graves o la muerte además de daños a la propiedad. ♦



MANTENIMIENTO

OPERACIONES DEL SISTEMA DE ENCENDIDO ELECTRÓNICO

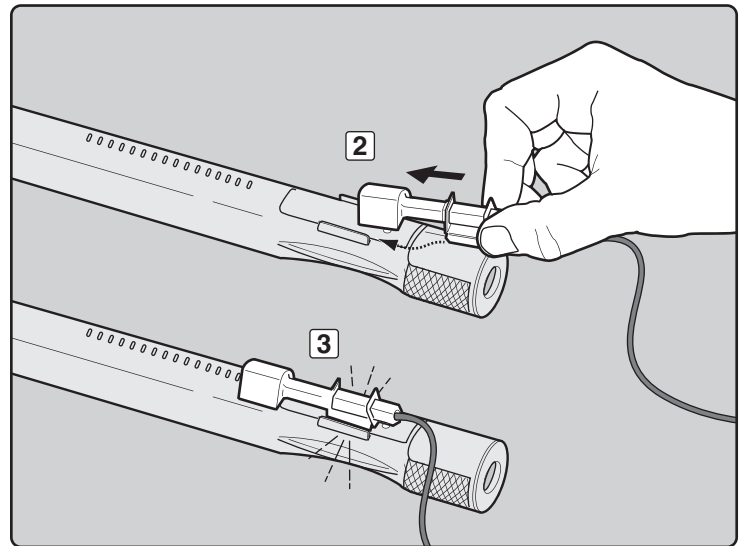
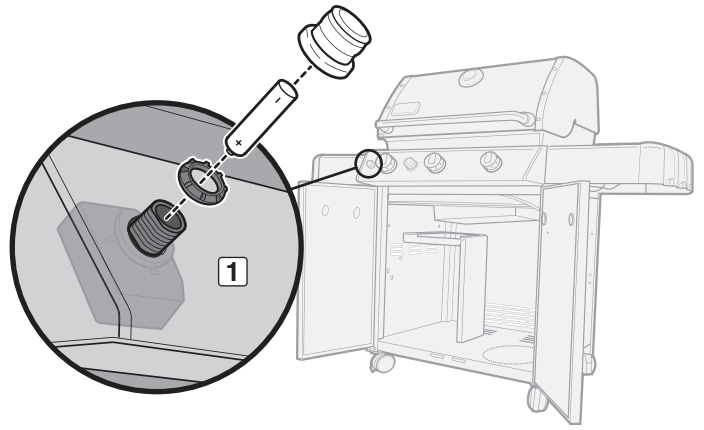
Si el sistema de encendido electrónico no llegase a encender, asegúrese de que esté fluyendo gas mediante el encendido de los quemadores con un cerillo. Consulte la sección "ENCENDIDO MANUAL DEL QUEMADOR PRINCIPAL" Si se logra encender con un cerillo, el problema está en el encendido electrónico.

⚠ ADVERTENCIA: Todos los controles de gas y válvulas de suministro deberán estar cerrados en la posición OFF.

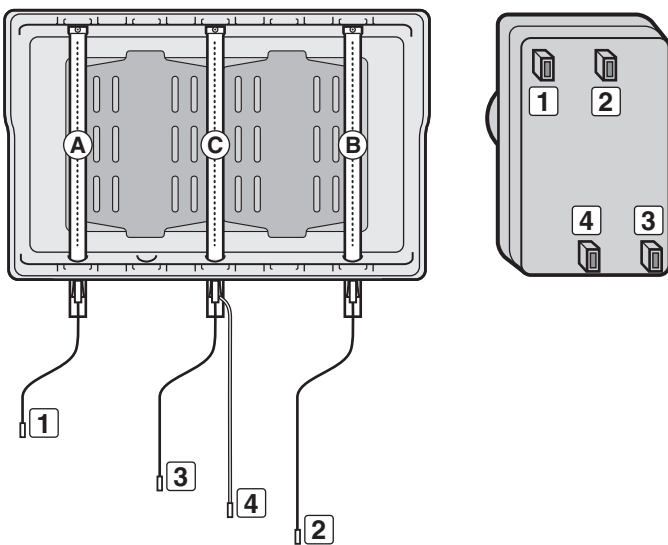
- Verifique que la batería AA (solamente alcalinas) esté en buenas condiciones y correctamente instalada (1). Algunas baterías tienen una envoltura práctica protectora alrededor de ellas. Este plástico debe sacarse. No confunda este plástico con la etiqueta de la batería.
- Asegúrese de que los cables de encendido estén conectados correctamente al módulo de encendido. Consulte la "GUÍA DE LOS CABLES DEL MÓDULO DE ENCENDIDO" a continuación.
- Asegúrese de que el conjunto del encendedor cerámico esté completamente colocado dentro del canal de encendido del tubo quemador (2). Si está correctamente colocado, oirá un chasquido (3).
- Asegúrese de que el botón de encendido electrónico esté funcionando escuchando y viendo si se generan chispas en el quemador.

Si el sistema de encendido electrónico aún no logra encender la barbacoa, póngase en contacto con el Representante de de Servicios al Cliente en su área utilizando la información de contacto en nuestro sitio web.

Conéctese a www.weber.com ♦



GUÍA DE CABLEADO DEL MÓDULO DE ENCENDIDO 310/320

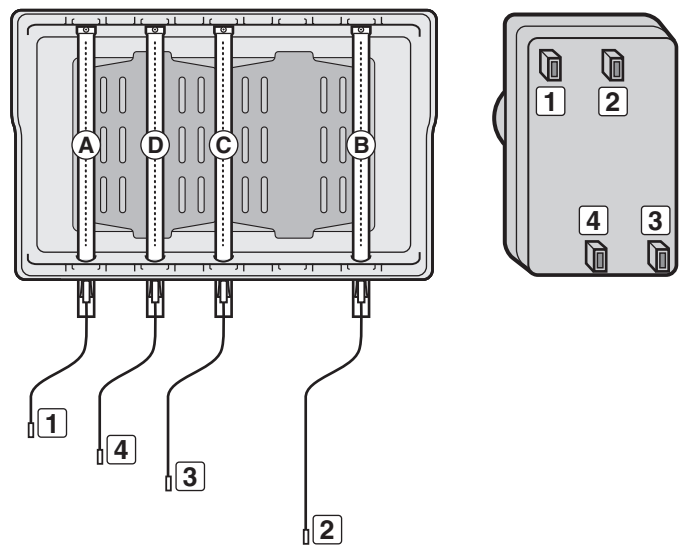


Color de los extremos de los cables y de los terminales

Tubo quemador

Negro (1)	Quegador izquierdo (A)
Amarillo (2)	Quegador derecho (B)
Azul (3)	Quegador central (C)
Verde (tierra) (4)	Quegador central (C)

GUÍA DE CABLEADO DEL MÓDULO DE ENCENDIDO 330



Color de los extremos de los cables y de los terminales

Tubo quemador

Negro (1)	Quegador izquierdo (A)
Amarillo (2)	Quegador derecho (B)
Azul (3)	Quegador central (C)
Verde (4)	Quegador para dorar (D)

MANTENIMIENTO DEL QUEMADOR LATERAL

⚠ ADVERTENCIA: Todos los controles y válvulas de suministro de gas deberán estar cerrados en la posición **APAGADO**.

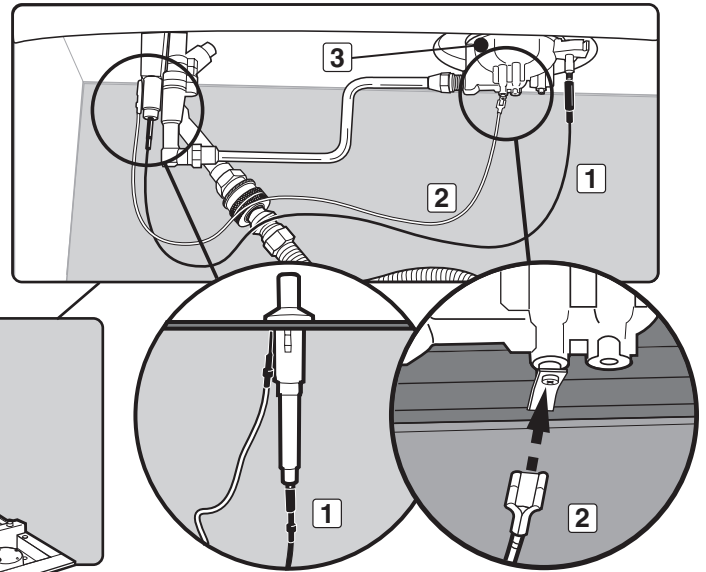
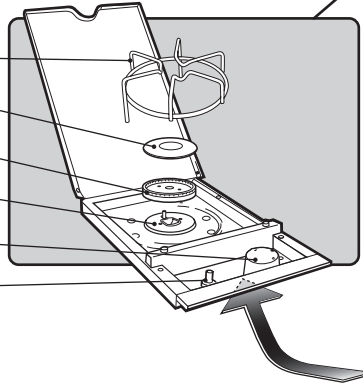
Asegúrese de que el cable negro esté conectado entre el encendedor y el electrodo.

Asegúrese de que el cable blanco esté conectado entre el encendedor y el clip de conexión a tierra.

La chispa deberá ser de color blanco/azul, no amarilla.

- A) Cable de encendido (1)
- B) Cable de conexión a tierra (2)
- C) Quemador (3) ♦

Parilla del quemador lateral
Tapa del quemador lateral
Aro y cabezal del quemador lateral
Electrodo de encendido
Perilla de control
Encendedor



MANTENIMIENTO ANUAL

Inspección y limpieza de la malla contra arañas y demás insectos

Para inspeccionar la malla contra arañas y demás insectos, retire el panel de control. Si hubiese polvo o sucio sobre las mallas, retire los quemadores para limpiar las mallas.

Con un cepillo de cerdas suaves (p.ej.: un cepillo de dientes viejo), cepille suavemente las mallas contra arañas y demás insectos.

⚠ PRECAUCIÓN: No limpie las mallas contra arañas y demás insectos con herramientas duras o afiladas. No las desmonte ni agrande los orificios de las mismas.

Golpee ligeramente el quemador para sacar la basura y suciedad fuera del tubo quemador. Una vez limpios, vuelva a colocar las mallas y quemadores en su sitio.

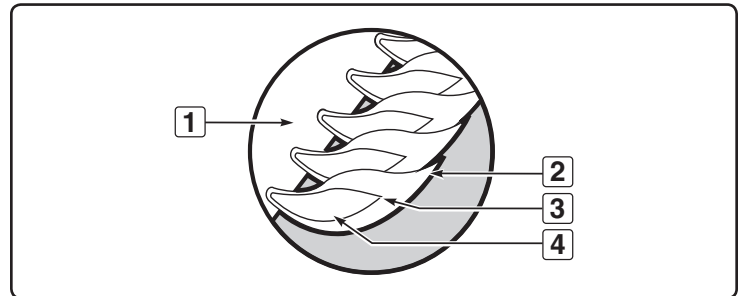
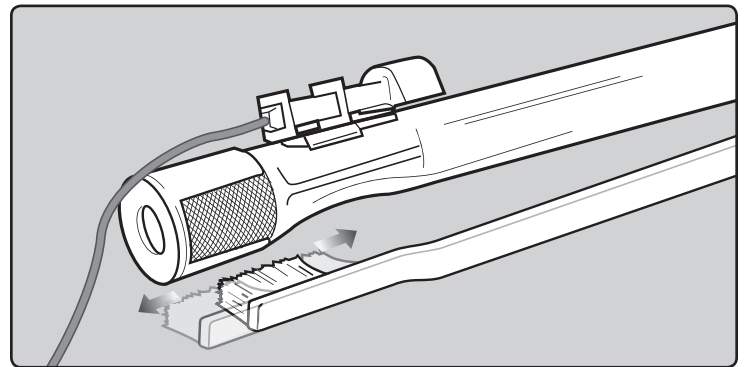
Si la malla contra arañas y demás insectos se dañase o no pudiese limpiarse, por favor póngase en contacto con el Representante de Servicios al Cliente de su zona, cuya datos de contacto encontrará en nuestro sitio en la Internet. Conéctese a www.weber.com.

Patrón de la llama del quemador

Los quemadores de la barbacoa de gas Weber® han sido ajustados en la fábrica para que les entre la mezcla correcta de aire y gas. Acá se muestra el patrón correcto de la llama.

- A) Tubo quemador (1)
- B) Las puntas ocasionalmente titilarán con un color amarillo (2)
- C) Azul claro (3)
- D) Azul oscuro (4)

Si las llamas no se presentan de manera uniforme a lo largo del tubo quemador, siga las instrucciones de limpieza del quemador. ♦



⚠ ATENCIÓN: A este producto se le han realizado pruebas de seguridad y ha sido certificado para usarse en un país específico. Refiérase al país indicado en la parte externa del cartón de empaque.

Estas partes pueden ser componentes que transporten gas o lo quemen. Por favor póngase en contacto con el Departamento de Atención al Cliente de Weber-Stephen Products Co. para obtener información sobre las partes de repuesto Weber-Stephen Products Co. genuinas.

⚠ ADVERTENCIA: No trate de realizar reparación alguna a los componentes que transporten o quemen gas sin antes ponerse en contacto con el Departamento de Atención al Cliente de Weber-Stephen Products Co. Si no llegase a acatar esta advertencia, sus acciones podrían causar un fuego o una explosión que resulte en lesiones personales serias o la muerte o daños a la propiedad.



WEBER-STEPHEN PRODUCTS CO.

www.weber.com[®]

GENESIS®



GRILL A GAZ

Mode d'emploi du grill à gaz PL

320/330

#56508



VOUS DEVEZ LIRE CE MODE D'EMPLOI AVANT D'UTILISER VOTRE GRILL A GAZ.

⚠ DANGER

S'il y a une odeur de gaz :

1. Coupez l'admission de gaz de l'appareil.
2. Éteindre toute flamme nue.
3. Ouvrir le couvercle.
4. Si l'odeur persiste, éloignez-vous de l'appareil et appelez immédiatement le fournisseur de gaz ou le service d'incendie.

Une fuite de gaz risque de provoquer un incendie ou une explosion susceptible d'occasionner des blessures graves, voire mortelles, ou des dégâts matériels.

⚠ AVERTISSEMENT :

1. Ne pas entreposer ni utiliser de l'essence ni d'autres vapeurs ou liquides inflammables dans le voisinage de l'appareil, ni de tout autre appareil.
2. Une bouteille de propane qui n'est pas raccordée en vue de son utilisation, ne doit pas être entreposée dans le voisinage de cet appareil ou de tout autre appareil.

⚠ MISE EN GARDE : Suivez toutes les procédures de détection des fuites de ce manuel avec soin avant d'utiliser la barbecue. Faites-le même si la barbecue a été assemblée par le revendeur.

NOTE A L'INTENTION DE L'INSTALLATEUR : Les présentes instructions doivent être remises au propriétaire et le propriétaire devrait les conserver pour les utiliser plus tard.

CET APPAREIL A GAZ EST CONCU POUR UNE UTILISATION EN EXTERIEUR UNIQUEMENT.

⚠ MISE EN GARDE : N'allumez pas cet appareil sans lire d'abord les sections traitant de L'ALLUMAGE DU BRULEUR de ce manuel.



56508 LP
FC FRENCH CANADIAN

⚠ DANGER

Le non respect des consignes intitulées Danger, Mise en garde et Attention contenues dans le présent Mode d'emploi peut entraîner une blessure grave ou la mort, ou un incendie ou une explosion provoquant des dommages à la propriété.

⚠ MISES EN GARDE

- ⚠ Ne stockez pas de bouteille de gaz propane liquide de rechange ou de bouteille de gaz propane liquide débranchée au-dessous ou à proximité de ce barbecue.
- ⚠ Un mauvais montage peut se révéler dangereux. Veuillez suivre les instructions de montage avec soin.
- ⚠ Après une période de stockage et/ou d'inutilisation, le barbecue à gaz Weber® devrait faire l'objet d'une vérification visant à détecter toute fuite et toute obstruction des brûleurs avant toute utilisation. Voir les instructions de ce manuel pour les procédures correctes.
- ⚠ N'utilisez pas le barbecue à gaz Weber® en cas de fuite.
- ⚠ N'utilisez pas de flamme pour détecter les fuites de gaz.
- ⚠ Aucune matière inflammable ne devrait jamais se trouver dans un rayon de 24 pouces par rapport à l'arrière ou aux côtés de votre barbecue à gaz Weber®.
- ⚠ Ne placez pas de bâche de protection de barbecue ni aucune matière inflammable sur la barbecue ou dans la zone de stockage au-dessous du barbecue.
- ⚠ Votre barbecue à gaz Weber® ne devrait jamais être utilisé par des enfants. Les pièces accessibles du barbecue peuvent atteindre une température très élevée. Maintenez les jeunes enfants à l'écart pendant son utilisation.
- ⚠ Vous devriez faire preuve d'une prudence raisonnable lorsque vous utilisez votre barbecue à gaz Weber®. Celui-ci sera très chaud pendant la cuisson ou le nettoyage et ne devrait jamais être laissé sans surveillance ni déplacé pendant son utilisation.
- ⚠ Si les brûleurs s'éteignaient pendant l'utilisation, fermez toutes les valves de gaz. Ouvrez le couvercle puis patientez cinq minutes avant d'essayer de rallumer les brûleurs, en utilisant les instructions pour l'allumage.
- ⚠ N'utilisez pas de charbon de bois ni de pierres de lave dans votre barbecue à gaz Weber®.
- ⚠ Ne vous penchez jamais au-dessus du grill ouvert ou ne placez jamais les mains ou les doigts sur l'extrémité avant du boîtier de cuisson.
- ⚠ Si un feu de graisse se produisait, fermez tous les brûleurs et laissez le couvercle fermé jusqu'à ce que le feu s'éteigne.
- ⚠ N'élargissez pas les orifices des valves ou les ports des brûleurs lorsque vous nettoyez les valves ou les brûleurs.
- ⚠ Le barbecue à gaz Weber® devrait être nettoyé méticuleusement de façon régulière.

- ⚠ Le gaz propane liquide n'est pas du gaz naturel. La conversion ou la tentative d'utilisation de gaz naturel dans un appareil à propane liquide ou de gaz propane liquide dans un appareil à gaz naturel est dangereuse et annulera votre garantie.
- ⚠ Utilisez des gants pour barbecue résistants à la chaleur lorsque vous utilisez le barbecue.
- ⚠ Maintenez tout cordon électrique d'alimentation ainsi que le tuyau d'alimentation en combustible à l'écart de toute surface chauffée.
- ⚠ Les dérivés de combustion générés lors de l'utilisation de ce produit contiennent des agents chimiques reconnus par l'Etat de Californie comme provoquant des cancers, des anomalies congénitales ou d'autres troubles de la reproduction.
- ⚠ N'utilisez ce barbecue que si toutes les pièces sont en place. Cet appareil doit être correctement assemblé conformément aux instructions de montage.
- ⚠ N'intégrez pas ce modèle de grill à n'importe quelle construction encastrée ou à glissière. Le non respect de cet Avertissement risque de provoquer un incendie ou une explosion susceptible de provoquer des dégâts matériels ainsi que des blessures graves voire un décès.

APPAREILS A GAZ PROPANE UNIQUEMENT:

- ⚠ Utilisez l'ensemble régulateur de pression et tuyau fourni avec votre barbecue à gaz Weber®.
- ⚠ Ne tentez pas de déconnecter l'ensemble régulateur et tuyau de gaz ni tout autre raccord de gaz pendant que vous utilisez votre barbecue.
- ⚠ L'utilisation d'une bouteille de gaz propane liquide comportant une bosse ou d'une bouteille rouillée peut être dangereuse et une telle bouteille devrait être vérifiée par votre fournisseur de propane. N'utilisez pas une bouteille de propane liquide dont la valve est détériorée.
- ⚠ Bien que votre bouteille de propane liquide puisse sembler vide, il est possible qu'elle contienne encore du gaz, et la bouteille devrait être transportée et stockée en conséquence.
- ⚠ Si vous voyez, sentez ou entendez du gaz s'échapper de la bouteille de propane liquide:
 1. Eloignez-vous de la bouteille de propane liquide.
 2. Ne tentez pas de corriger le problème vous-même.
 3. Appelez votre service incendie. ♦

TABLE DES MATIERES

VUE ECLATEE 320	4	ALLUMAGE & UTILISATION DU BRULEUR LATERAL	68
LISTE DE LA VUE ECLATEE 320	5	ALLUMAGE DU BRULEUR LATERAL	68
VUE ECLATEE 330	6	POUR ETEINDRE	68
LISTE DE LA VUE ECLATEE 330	7	ALLUMAGE MANUEL DU BRULEUR LATERAL	69
MISES EN GARDE	54	POUR ETEINDRE	69
TABLE DES MATIERES	55	DEPANNAGE	70
GARANTIE	56	DEPANNAGE DU BRULEUR LATERAL	71
GENERALITES	57	MAINTENANCE	71
INSTALLATION AU CANADA	57	NETTOYAGE	71
UTILISATION	57	GRILLES ANTI-ARAIGNEES/INSECTES WEBER®	71
STOCKAGE ET/OU INUTILISATION	57	NETTOYAGE OU REMPLACEMENT DES TUBES DU BRULEUR	72
INSTRUCTIONS RELATIVES AU GAZ	58	UTILISATION DU SYSTEME D'ALLUMAGE ELECTRONIQUE	74
ASTUCES POUR UNE MANIPULATION SANS DANGER DES		MAINTENANCE DU BRULEUR LATERAL	75
BOUTEILLES DE GAZ PROPANE LIQUIDE	58	MAINTENANCE ANNUELLE	75
INFORMATIONS IMPORTANTES RELATIVES A LA BOUTEILLE DE PL	59		
PREPARATION DE LA DETECTION DES FUITES	59		
DETECTION DES FUITES DE GAZ	61		
RECHARGEMENT DE LA BOUTEILLE DE PROPANE LIQUIDE	62		
AVANT D'UTILISER LE GRILL	63		
NIVEAU DE COMBUSTIBLE	63		
PLATEAU-EGOUTTOIR AMOVIBLE ET EGOUTTOIR JETABLE	63		
INSPECTION DE L'ALLUMEUR ELECTRONIQUE	63		
INSPECTION DU TUYAU	63		
ALLUMAGE & UTILISATION DU BRULEUR PRINCIPAL	64		
ALLUMAGE DU BRULEUR PRINCIPAL	64		
POUR ETEINDRE	64		
ALLUMAGE MANUEL DU BRULEUR PRINCIPAL	65		
POUR ETEINDRE	65		
ALLUMAGE & UTILISATION DU			
GRILL SEAR STATION® (MODELE 330)	66		
ALLUMAGE DU BRULEUR SEAR STATION®	66		
ALLUMAGE MANUEL DU BRULEUR SEAR STATION®	66		
UTILISATION DE LA SEAR STATION®	66		
CONSEILS & ASTUCES POUR LA GRILLADE	67		
PRÉCHAUFFAGE	67		
CUISSON COUVERTE	67		
ECOULEMENTS DE JUS ET DE GRAISSES	67		
SYSTEME FLAVORIZER®	67		
SEAR STATION®	67		

GARANTIE

Weber-Stephen Products Co. (Weber) garantit par le présent document à l'ACHETEUR D'ORIGINE de ce grill à gaz Weber® que celui-ci ne comportera aucun défaut de pièce ni de main d'oeuvre à compter de la date d'achat comme suit :

Fonte d'aluminium:	25 ans (2 ans pour l'apexure à l'exception de toute décoloration)
Structure en acier inoxydable:	25 ans
Structure émaillée:	25 ans
Tubes du brûleur en acier inoxydable:	10 ans
Grilles de cuisson en acier inoxydable:	5 ans sans trou provoqué par la rouille ou par une brûlure
Barres Flavorizer® en acier inoxydable:	5 ans sans trou provoqué par la rouille ou par une brûlure
Grilles de cuisson en fonte fer émaillée:	5 ans sans trou provoqué par la rouille ou par une brûlure
Grilles de cuisson émaillées:	3 ans sans trou provoqué par la rouille ou par une brûlure
Barres Flavorizer® émaillées:	2 ans sans trou provoqué par la rouille ou par une brûlure
Brûleur de la rôtissoire à infrarouge:	2 ans
Toutes les autres pièces:	2 ans

à condition qu'il ait été assemblé et utilisé conformément aux instructions imprimées qui l'accompagnent. Weber peut exiger une preuve raisonnable de votre date d'achat. VOUS DEVRIEZ DONC CONSERVER VOTRE TICKET DE CAISSE OU VOTRE FACTURE.

La présente Garantie limitée est limitée à la réparation ou au remplacement des pièces qui s'avèrent défectueuses dans le cadre d'une utilisation normale et d'un entretien normal et dont l'examen indique, à la satisfaction de Weber, qu'elles sont défectueuses. Avant de retourner toute pièce, veuillez entrer en contact avec le Représentant du Service clientèle le plus proche grâce aux coordonnées à votre disposition sur notre site Internet. Si Weber confirme le défaut et approuve la demande, Weber choisira de remplacer ces pièces sans frais. S'il vous est demandé de retourner les pièces défectueuses, les frais de transport devront être prépayés. Weber retournera les pièces à l'acheteur, franco de port.

La présente Garantie limitée ne couvre pas toute défaillance ou difficulté d'utilisation provoquée par un accident, une utilisation abusive, une mauvaise utilisation, une altération, une mauvaise application, un acte de vandalisme, une installation incorrecte ou une maintenance ou un entretien incorrects, ou le défaut d'entretien normal et régulier, y compris mais pas seulement les dommages provoqués par des insectes à l'intérieur des tubes du brûleur, tel que décrit dans le présent mode d'emploi.

Toute détérioration ou tout dommage résultant de conditions météorologiques graves comme de la grêle, des ouragans, des séismes ou des tornades, toute décoloration résultant d'une exposition à des agents chimiques directement ou dans l'atmosphère, n'est pas couverte dans le cadre de la présente Garantie limitée.

Il n'existe aucune autre garantie expresse hormis celles exposées dans le présent document et toute garantie de commercialisation et de bon état induite est limitée en durée à la période de couverture de la présente Garantie limitée écrite expresse. Certaines régions n'autorisent pas de limitation de durée de la garantie induite ; il est donc possible que cette limitation ne s'applique pas à vous.

Weber ne peut être tenu pour responsable de tout dommage particulier, induit ou se produisant par voie de conséquence. Certaines régions n'autorisent pas l'exclusion ou la limitation des dommages indirects ou se produisant par voie de conséquence ; il est donc possible que cette limitation ou exclusion ne s'applique pas à vous.

Weber n'autorise aucune personne ou société à présumer en son nom de toute autre obligation ou responsabilité en relation avec la vente, l'installation, l'utilisation, le retrait, le retour ou le remplacement de ses équipements ; et aucune de ces représentations ne lie Weber.

La présente Garantie s'applique uniquement aux produits vendus au détail.

WEBER-STEPHEN PRODUCTS CO.

Product Registration
P.O. Box 40530
Burlington, ON L7P 4W1

Pour des pièces de rechange, appelez le :

1-800-265-2150

www.weber.com®

Connectez-vous sur www.weber.com®, sélectionnez votre pays d'origine, et enregistrez votre grill aujourd'hui. ♦

Votre barbecue à gaz Weber® est un appareil de cuisson d'extérieur portatif. Avec ce barbecue à gaz Weber® vous pouvez griller, cuire au barbecue, rôtir et cuire avec des résultats difficilement reproductibles en utilisant des appareils de cuisine d'intérieur. Le couvercle fermé et les Barres Flavorizer® donnent aux aliments une "saveur d'extérieur" particulière.

Ce barbecue à gaz Weber® est portatif de sorte que vous puissiez facilement changer son emplacement dans votre cour ou dans votre patio. La transportabilité signifie que vous pouvez emmener votre barbecue à gaz Weber® avec vous lors de vos déplacements.

L'arrivée de gaz Propane liquide (PL) est facile à utiliser et vous donne davantage de contrôle sur la cuisson que si vous utilisiez du charbon de bois.

- Les présentes instructions vous fourniront les exigences minimales pour le montage de votre barbecue à gaz Weber®. Veuillez lire les consignes avec attention avant d'utiliser votre barbecue à gaz Weber®. Un montage incorrect peut se révéler dangereux.
- Ne convient pas à une utilisation par des enfants.
- S'il existe des codes régionaux s'appliquant aux grills à gaz portatifs, vous devrez les respecter. L'installation doit être conforme aux codes régionaux ou, en l'absence de tels codes, avec le Code national relatif aux gaz combustibles, ANSI Z223.1/NFPA 54, le Code relatif aux installations de gaz naturel et de gaz propane, CSA B149.1, ou le Code relatif au stockage et à la manipulation du propane, B149.2, ou à la Norme relative aux véhicules de loisirs, ANSI A 119.2/NFPA 1192, et les Séries CSA Z240 RV, Code relatif aux véhicules de loisirs, le cas échéant.
- Vous devez utiliser le régulateur de pression fourni avec le barbecue à gaz Weber®. Ce régulateur est paramétré pour une colonne d'eau de 11 pouces (pression).
- Ce barbecue à gaz Weber® est conçu pour une utilisation avec du gaz propane liquide (PL) uniquement. Ne l'utilisez pas avec du gaz naturel (gaz de ville). Les valves, les orifices, le tuyau et le régulateur sont adaptés au gaz PL uniquement.
- N'utilisez pas ce barbecue avec du charbon de bois.
- Vérifiez que la zone située au-dessous du panneau de commande et que le bac de récupération des graisses amovible ne comportent aucun débris susceptible de faire obstacle à la circulation de l'air nécessaire à la combustion ou à la ventilation.
- Les zones à proximité de la bouteille de PL doivent être dégagées et ne doivent comporter aucun débris.
- Les régulateurs de pression et les ensembles de tuyaux de rechange doivent être ceux spécifiés par Weber-Stephen Products Co. ♦

INSTALLATION AU CANADA

Les présentes instructions, bien que généralement acceptables, ne sont pas nécessairement conformes aux Codes d'installation du Canada, en particulier en ce qui concerne les canalisations au-dessus du sol et les canalisations souterraines. Au Canada, l'installation de cet appareil doit être conforme aux codes régionaux et/ou à la Norme CSA-B149.2 (Code relatif au stockage et à la manipulation de propane). ♦

UTILISATION

- ⚠ **MISE EN GARDE : Utilisez ce barbecue uniquement en extérieur dans une zone bien ventilée. Ne l'utilisez pas dans un garage, un bâtiment, un passage couvert ou toute autre zone confinée.**
- ⚠ **MISE EN GARDE : Maintenez les ouvertures de ventilation de l'enclos de la bouteille de gaz dégagées et libre de tout débris.**
- ⚠ **MISE EN GARDE : Vous ne devez pas utiliser votre barbecue à gaz Weber® au-dessous d'une structure inflammable.**
- ⚠ **MISE EN GARDE : Votre barbecue à gaz Weber® n'est pas conçu pour être installé à l'intérieur ou au-dessus de véhicules de loisirs et/ou de bateaux.**
- ⚠ **MISE EN GARDE : N'utilisez pas le barbecue dans un rayon de 24 pouces de toute matière inflammable.**
- ⚠ **MISE EN GARDE : La totalité du boîtier de cuisson atteint une température élevée pendant la cuisson. Ne laissez pas le grill sans surveillance.**
- ⚠ **MISE EN GARDE : Maintenez tout cordon d'alimentation électrique ainsi que le tuyau d'alimentation en combustible à l'écart de toute surface chauffée.**
- ⚠ **MISE EN GARDE : Maintenez la zone de cuisson dégagée de toute vapeur ou de tout liquide inflammable comme de l'essence, de l'alcool, etc., et de toute matière inflammable.**
- ⚠ **MISE EN GARDE : Ne stockez jamais une bouteille de PL supplémentaire (de rechange) au-dessous ou à proximité du barbecue à gaz Weber®.**

- ⚠ **MISE EN GARDE : La bouteille de PL utilisée avec votre barbecue doit être équipée d'un dispositif de prévention du surremplissage homologué OPD (Overfilling Prevention Device) et d'un raccord QCC1 ou de Type 1 (CGA810). Le raccord de la bouteille de gaz doit être compatible avec le raccord du barbecue. ♦**

STOCKAGE ET/OU INUTILISATION

- Le gaz doit être fermé au niveau de la bouteille de propane liquide lorsque vous n'utilisez pas le barbecue à gaz Weber®.
- Lorsque le barbecue à gaz Weber® est stocké en extérieur, l'arrivée de gaz doit être DECONNECTEE et la bouteille de gaz PL stockée en extérieur dans une zone bien ventilée.
- La bouteille de PL doit être stockée en extérieur dans une zone bien ventilée hors de portée des enfants. La bouteille de PL débranchée ne doit pas être stockée dans un bâtiment, dans un garage ni dans toute autre zone confinée.
- Lorsque la bouteille de PL n'est pas débranchée du barbecue à gaz Weber®, l'appareil et la bouteille de PL doivent être stockés en extérieur dans un espace bien ventilé.
- Le barbecue à gaz Weber® devrait faire l'objet d'une inspection visant à détecter toute fuite ainsi que tout obstacle présent dans les tubes du brûleur avant toute utilisation (Voir "MAINTENANCE/MAINTENANCE ANNUELLE").
- Vérifiez que les zones situées sous le panneau de commande et le plateau inférieur amovible ne comportent pas de résidus susceptibles de faire obstacle à la circulation de l'air de combustion ou de ventilation.
- Les Grilles anti araignées/insectes devraient aussi faire l'objet d'un contrôle afin de détecter toute obstruction (Voir "MAINTENANCE/MAINTENANCE ANNUELLE"). ♦

INSTRUCTIONS RELATIVES AU GAZ

ASTUCES POUR UNE MANIPULATION SANS DANGER DES BOUTEILLES DE GAZ PROPANE LIQUIDE

- Le gaz Propane liquide (PL) est un produit dérivé du pétrole comme le sont l'essence et le gaz naturel. Le gaz PL est gazeux à des températures et à des pressions ordinaires. Soumis à une pression modérée, à l'intérieur d'une bouteille de gaz, le gaz PL est liquide. Au fur et à mesure que la pression diminue, le liquide vaporise rapidement et devient gazeux.
- L'odeur du gaz PL ressemble à celle du gaz naturel. Vous devriez avoir conscience de cette odeur.
- Le gaz PL est plus lourd que l'air. Du gaz PL s'échappant d'une fuite peut s'accumuler dans des espaces proches du sol, ce qui empêcherait sa dispersion.
- Pour remplir la bouteille de PL, emmenez-la chez un revendeur de gaz propane, ou cherchez à "gaz propane" dans l'annuaire pour d'autres sources de gaz PL.

⚠ MISE EN GARDE : Nous vous recommandons de faire remplir votre bouteille de PL auprès d'un revendeur de gaz PL agréé, par du personnel qualifié, qui remplit la bouteille au poids. UN REMPLISSAGE INCORRECT EST DANGEREUX.

- L'air doit être extrait d'une bouteille de PL neuve avant que celle-ci soit remplie pour la première fois. Votre revendeur de PL est équipé pour effectuer cette opération.
- La bouteille de PL doit être installée, transportée et stockée en position verticale. Les bouteilles de PL ne devraient pas être lâchées ou manipulées brutalement.
- Ne stockez ou ne transportez jamais la bouteille de PL dans des endroits où la température peut atteindre 125° F (trop chaud pour tenir à la main - par exemple : ne laissez pas la bouteille de PL à l'intérieur d'une voiture par une journée chaude).

Remarque : Une recharge va durer environ 18-20 heures de temps de cuisson dans des conditions d'utilisation normales. Le niveau de combustible, fonctionnalité disponible sur certains de nos grills, indiquera le niveau de propane de sorte que vous puissiez recharger la bouteille avant de manquer de combustible. La bouteille n'a pas besoin d'être vide pour être rechargée.

- Manipulez les bouteilles de PL "vides" avec le même soin que lorsqu'elles sont pleines. Même lorsque la bouteille de PL ne contient plus de liquide il peut toujours y avoir du gaz sous pression à l'intérieur. Fermez toujours la valve de la bouteille avant de la déconnecter.

⚠ ATTENTION : Placez le cache anti-poussière sur la sortie de la valve de la bouteille de gaz chaque fois que celle-ci est inutilisée. N'installez que le type de cache anti-poussière fourni avec la valve de la bouteille de gaz. L'utilisation d'autres types de caches ou de bouchons pourrait entraîner une fuite de propane.

- N'utilisez pas de bouteille de PL détériorée. Les bouteilles de PL comportant un renforcement ou rouillée ou les bouteilles de PL dont la valve est détériorée peuvent être dangereuses et devraient immédiatement être remplacées par des bouteilles neuves.
- Le raccord où le tuyau est relié à la bouteille de gaz PL doit faire l'objet d'un contrôle de détection des fuites à chaque fois que la bouteille de PL est rebranchée. Par exemple, détectez les fuites à chaque fois que la bouteille de PL est rechargée.
- Assurez-vous que le régulateur est monté avec le petit trou d'aération orienté vers le bas de sorte qu'il ne reçoive pas d'eau. Cette aération devrait être dégagée des impuretés, de la graisse, des insectes, etc.
- Les raccords de gaz fournis avec votre barbecue à gaz Weber® ont été conçus et testés pour être conformés à 100% des exigences du CSA et de l'ANSI.

⚠ MISE EN GARDE : Les bouteilles de PL de recharge doivent s'adapter au raccord du régulateur fourni avec ce barbecue.

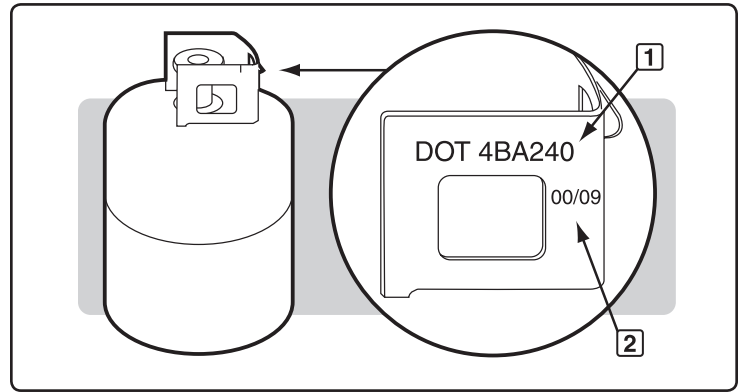
Exigences relatives à la bouteille de propane liquide

- Assurez-vous que les bouteilles de gaz sont certifiées D.O.T. (1), et que leur date vérifiée (2) est dans les cinq ans. Votre fournisseur de gaz PL peut faire cela pour vous.
- Tous les dispositifs de rechargement de bouteilles de PL doivent inclure une collerette pour protéger la valve de la bouteille de gaz.
- La bouteille de PL doit avoir une taille de 20 lb. environ (18¼ pouces de haut, 12¼ pouces de diamètre).
- La bonbonne doit être fabriquée et marquée conformément aux Spécifications s'appliquant aux bonbonnes de gaz - propane liquide du ministère américain des Transports (D.O.T.) ou à la norme nationale du Canada, CAN/CSA-B339, sur les bonbonnes, sphères et tuyaux ou sur le transport des marchandises dangereuses; et commission, si applicable.

Exigences canadiennes en ce qui concerne les bouteilles de propane liquide

Remarque : Votre détaillant peut vous aider à trouver une bouteille de gaz de recharge adaptée à votre barbecue.

- La bouteille de PL doit être fabriquée et marquée conformément aux spécifications relatives aux bouteilles de gaz PL, T.C. ♦



INSTRUCTIONS RELATIVES AU GAZ

INFORMATIONS IMPORTANTES RELATIVES A LA BOUTEILLE DE PL

⚠ DANGER

Ne stockez JAMAIS une Bouteille de PL de recharge au-dessous ou à proximité de ce barbecue. Ne remplissez JAMAIS la bouteille à plus de 80%. Le non respect strict des consignes de sécurité intitulées DANGER pourrait entraîner un incendie provoquant la mort ou une blessure grave.

Votre grill à gaz Weber® est équipé pour être raccordé à un dispositif d'alimentation de bouteille de gaz conçu pour éliminer les émanations.

⚠ MISE EN GARDE : N'utilisez ce grill qu'en extérieur dans une zone bien ventilée. Ne l'utilisez pas dans un garage, dans un passage couvert ni dans toute autre zone confinée.

Les méthodes de remplissage correctes pour le rechargement de votre bouteille de gaz sont le remplissage au poids ou au volume, tel que décrit par la norme NFPA 58. Veuillez vous assurer que votre station de remplissage remplit votre bouteille de PL au poids ou au volume. Demandez au personnel de votre station de remplissage de lire les consignes de purge et de remplissage figurant sur la bouteille de PL avant de tenter de la remplir. ♦

PREPARATION DE LA DETECTION DES FUITES

Vérifiez que toutes les valves des brûleurs sont fermées

Les valves sont expédiées en position fermée (ARRÊTÉ), mais vous devriez les vérifier pour vous assurer qu'elles sont fermées. Vérifiez en les enfonçant et en les tournant dans le sens des aiguilles d'une montre. Si elles ne tournent pas, elles sont fermées. Si elles tournent, continuez à les tourner jusqu'à ce qu'elles ne tournent plus, elles sont maintenant fermées.

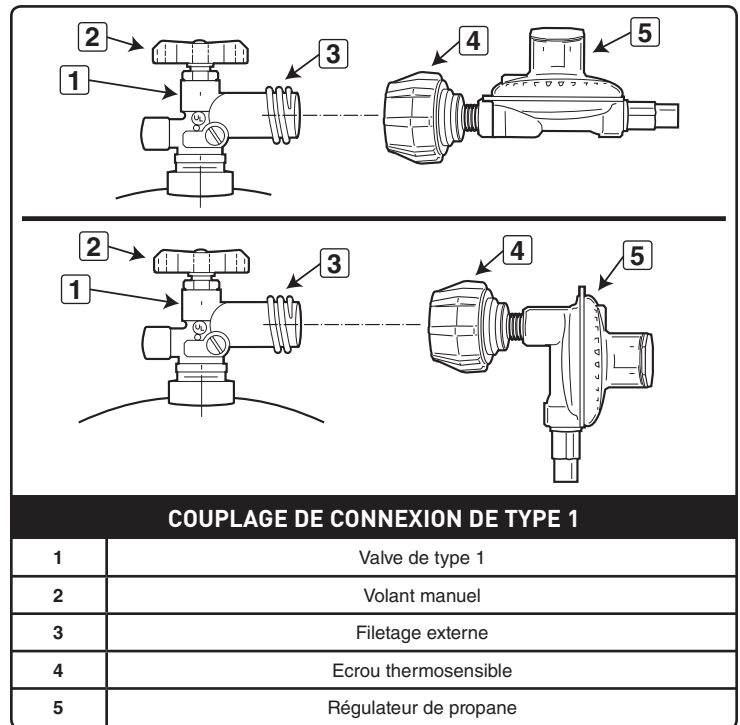
Utilisez la pince de rétention du tuyau de la bouteille de propane liquide

La totalité des régulateurs de grills à gaz Weber® est équipée d'une connexion de bouteille homologuée UL conformément à la dernière édition de l'ANSI Z21.58. Ceci va nécessiter une bouteille de propane liquide qui est équipée de la même manière avec une connexion de Type 1 dans la valve de la bouteille de gaz. Ce couplage de Type 1 vous permet de réaliser un accrochage rapide et sans aucun danger entre votre grill à gaz et votre bouteille de propane liquide. Cela élimine le risque de fuite due à une raccord POL qui n'est pas correctement serré. Le gaz ne va pas sortir de la bouteille tant que le couplage de Type 1 ne sera pas complètement engagé à l'intérieur du couplage.

⚠ MISE EN GARDE : Assurez-vous que la valve de la bouteille de PL est fermée. Fermez-la en tournant la valve dans le sens des aiguilles d'une montre.

⚠ DANGER

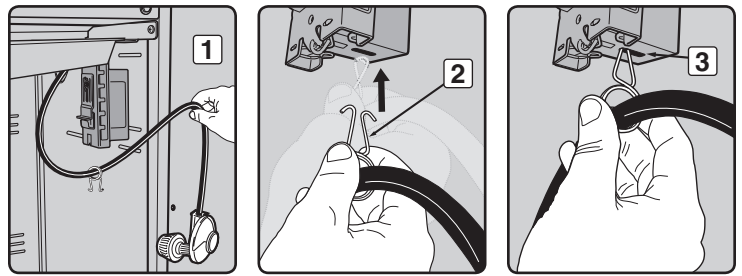
N'utilisez pas de flamme nue pour détecter les fuites de gaz. Assurez-vous qu'il n'y a aucune étincelle ou flamme nue dans la zone lorsque vous détectez les fuites. Des étincelles ou des flammes vont provoquer un incendie ou une explosion qui peuvent entraîner une blessure grave voire un décès ainsi que des dégâts matériels.



INSTRUCTIONS RELATIVES AU GAZ

- A) Ouvrez les portes du meuble qui sert de base. Avancez le régulateur et le tuyau et sortez-les du meuble (1).
- B) Localisez la pince de rétention du tuyau (2) sur le tuyau du régulateur. Fixez-la bien dans la fente (3) au-dessous de la graduation de la bouteille.

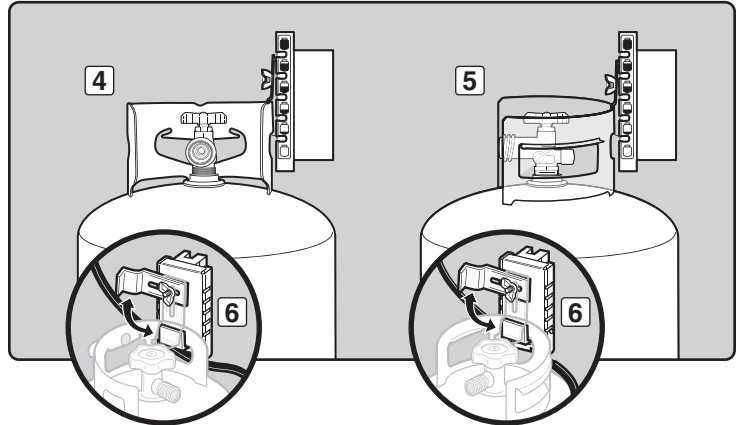
⚠ MISE EN GARDE : Le tuyau doit être bien fixé sur la bouteille de gaz à l'aide de la Pince de rétention du tuyau. Le non respect de cette consigne risquerait de détériorer le tuyau avec pour conséquence un incendie ou une explosion susceptible de provoquer des blessures graves voire un décès ainsi que des dégâts matériels.



Certaines bouteilles de PL ont des assemblages de colliers supérieurs différents. (Le collier supérieur est la bague de protection métallique autour de la valve.) Une série de bouteilles est montée avec la valve orientée vers l'avant (4). Les autres bouteilles se montent avec la valve orientée à l'opposé de la graduation de niveau de carburant (5). Weber recommande l'utilisation du fabricant de bouteilles Manchester and Worthington, avec une capacité en eau de 47,6 lbs. D'autres bouteilles peuvent être acceptables pour une utilisation avec l'appareil à condition d'être compatibles avec les moyens de rétention de l'appareil (voir les illustrations).

La bouteille de PL est installée à l'intérieur du meuble qui sert de base, sur le support de la bouteille (côté droit).

- C) Desserrez l'écrou à ailettes de verrouillage de la bouteille. Faites pivoter le verrouillage de la bouteille (6).
- D) Tournez la bouteille de PL de sorte que l'ouverture de la valve se trouve soit à l'avant soit sur le côté du barbecue à gaz Weber®.
- E) Soulevez la bouteille pour la mettre en position sur le support de la bouteille (7).
- F) Abaissez le verrou de la bouteille. Serrez l'écrou à ailettes.

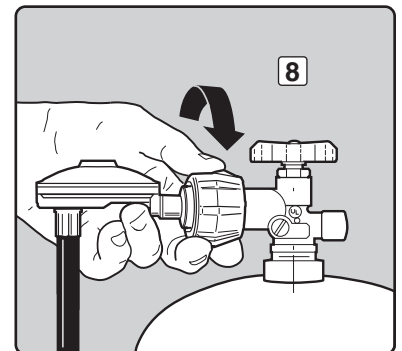
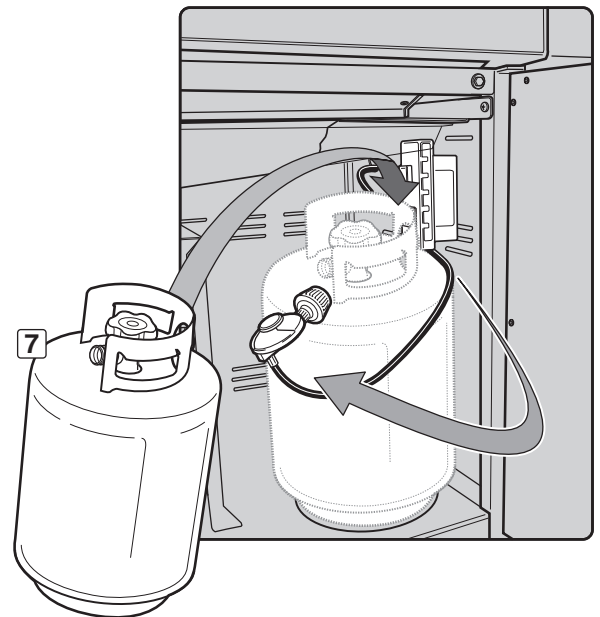


Connectez le tuyau à la bouteille

- A) Retirez la protection anti-poussière en plastique de la valve.
- B) Vissez le couplage du régulateur sur la valve de la bouteille, dans le sens des aiguilles d'une montre, ou vers la droite (8). Serrez à la main uniquement.

Remarque : Cette connexion se serre dans le sens des aiguilles d'une montre et elle ne permet pas au gaz de circuler tant que le raccord n'est pas serré. Cette connexion nécessite un serrage à la main uniquement.

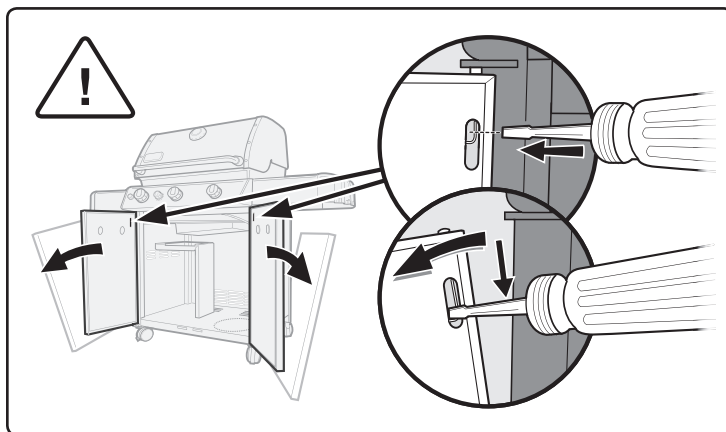
⚠ MISE EN GARDE : N'utilisez pas de clé pour serrer le raccord. L'utilisation d'une clé risquerait de détériorer le couplage du régulateur et risquerait de provoquer une fuite.



Retirez les boutons de commande & le panneau de commande pour détecter les fuites

Il vous faudra : un tournevis cruciforme.

- Retirez les boutons de commande, le bouton de l'allumeur, l'écrou de rétention, et la pile (1).
- Retirez les vis du déflecteur de vent à l'aide d'un tournevis cruciforme (2).
- Inclinez l'extrémité du déflecteur de vent vers le bas et faites glisser le déflecteur de vent vers l'extérieur pour le retirer (3).
- Laissez le module d'allumage pendre depuis les fils. Ne le débranchez pas (4).
- Retirez les vis du dessous du panneau de commandes à l'aide d'un tournevis cruciforme (5).
- Soulevez légèrement le panneau de commandes, inclinez l'extrémité avant vers le haut et soulevez doucement (6).
- Remettez en place le panneau de commandes et le déflecteur de vent une fois la détection des fuites terminée. ♦



DETECTION DES FUITES DE GAZ

⚠ DANGER

N'utilisez pas de flamme nue pour effectuer la détection des fuites. Assurez-vous de l'absence de toute étincelle ou flamme nue dans la zone pendant que vous détectez les fuites. La présence d'étincelles ou de flammes nues provoquerait un incendie ou une explosion susceptible d'entraîner des blessures ou un décès ainsi que des dégâts matériels.

Remarque : La totalité des raccords effectués en usine fait l'objet d'une détection minutieuse des fuites. Les brûleurs ont été testés à la flamme. Par mesure de sécurité toutefois, vous devriez vérifier à nouveau la totalité des raccords afin de détecter toute fuite avant d'utiliser votre grill à gaz Weber®. L'expédition et la manipulation peuvent desserrer ou détériorer un raccord de gaz.

⚠ MISE EN GARDE : Les raccords de gaz de votre grill à gaz ont été testés à l'usine. Nous vous recommandons néanmoins de détecter les fuites pour tous les raccords de gaz avant d'utiliser votre grill à gaz.

⚠ MISE EN GARDE : Effectuez ces contrôles de détection des fuites même si votre barbecue a été assemblé par un revendeur ou en boutique.

Si votre grill est pourvu d'un brûleur latéral, assurez-vous que ce brûleur latéral est éteint.

Ouvrez l'arrivée de gaz à la source.

⚠ MISE EN GARDE : N'allumez pas les brûleurs lorsque vous détectez les fuites.

Il vous faudra : Une solution d'eau savonneuse et un chiffon ou une brosse pour l'appliquer.

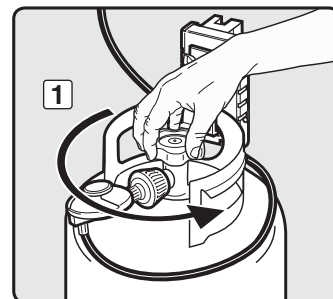
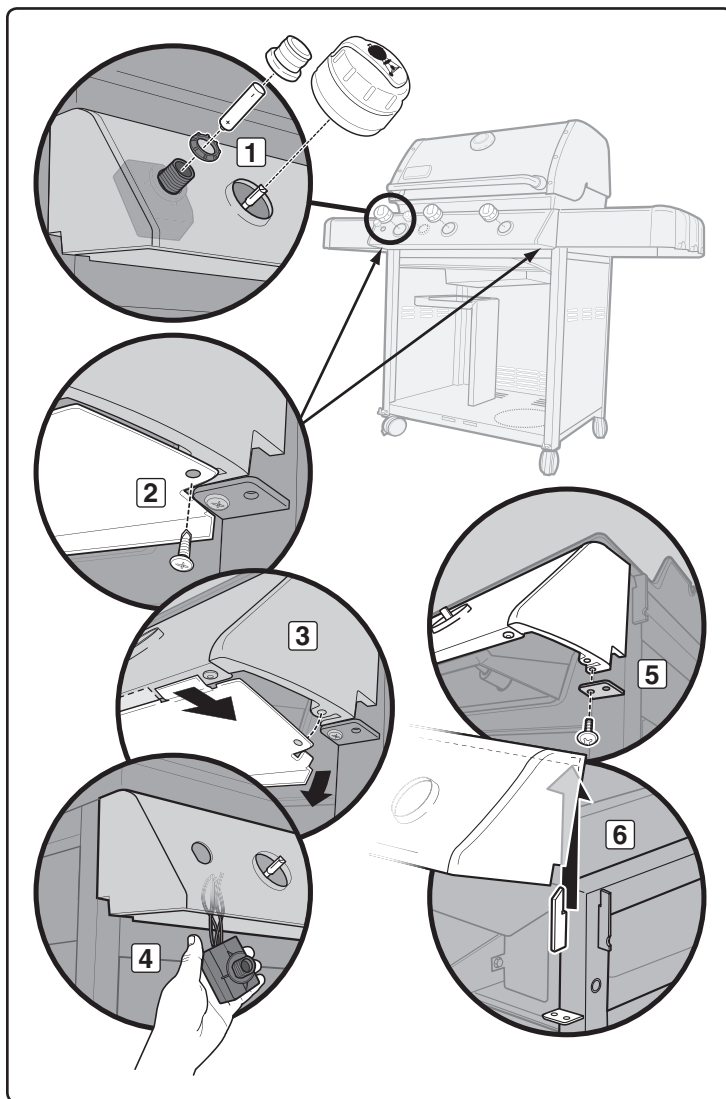
- Mélangez l'eau et le savon.
- Ouvrez l'arrivée de gaz (1).
- Détectez les fuites en humidifiant le raccord à l'aide de la solution d'eau savonneuse et en regardant si des bulles se forment. Si des bulles se forment, ou si une bulle grossit, il y a une fuite.

Si'il y a une fuite, fermez le gaz et serrez le raccord. Ouvrez à nouveau le gaz et vérifiez à nouveau à l'aide de la solution d'eau savonneuse. Si la fuite continue, n'utilisez pas le barbecue. Contactez le représentant du Service client le plus proche à l'aide des coordonnées à votre disposition sur notre site Internet. Connectez-vous sur www.weber.com®.

- Une fois la détection des fuites terminée, fermez l'arrivée de gaz à la source et rincez les raccords à l'eau.

Remarque : Dans la mesure où certaines solutions de détection des fuites, notamment l'eau savonneuse, peuvent s'avérer légèrement corrosives, la totalité des raccords devrait être rincée à l'eau après la détection des fuites.

⚠ MISE EN GARDE : Vous devriez détecter les fuites à chaque fois que vous déconnectez et reconnectez un raccord de gaz.



INSTRUCTIONS RELATIVES AU GAZ

Vérifiez :

- A) Raccord entre le tuyau du régulateur et la tête du brûleur (1).
- B) Raccord entre la conduite de gaz principale et la tête du brûleur (2).
- C) Raccords entre la conduite de gaz principale et le collecteur (3).
- D) Raccord entre la conduite de gaz du brûleur latéral et le collecteur (4).
- E) Connexion entre le raccord de la conduite du brûleur et la coupe du brûleur latéral (5).
- F) Connexions entre le raccord de la conduite du brûleur latéral et la valve du brûleur latéral (6).

⚠ **MISE EN GARDE : En cas de fuite au niveau d'un raccord (1, 2, 3, 4, 5, ou 6), resserrez le raccord à l'aide d'une clé puis détectez à nouveau les fuites à l'aide d'une solution d'eau savonneuse. En cas de persistance d'une fuite une fois que vous avez resserré le raccord, fermez le gaz (position OFF). N'UTILISEZ PAS LE GRILL. Contactez le représentant du Service clientèle de votre région à l'aide des coordonnées à votre disposition sur notre site Internet. Connectez-vous sur www.weber.com.**

- G) Raccord entre le brûleur latéral et la déconnexion rapide (7).
- H) Connexion entre le tuyau du régulateur et la bouteille de gaz (8).
- I) Connexion entre le tuyau du régulateur et le régulateur (9).
- J) Connexions entre les valves et le collecteur (10).

⚠ **MISE EN GARDE : En cas de fuite au niveau des raccords (7, 8, 9 ou 10), fermez le gaz (position OFF). N'UTILISEZ PAS LE GRILL. Contactez le représentant du Service clientèle de votre région à l'aide des coordonnées à votre disposition sur notre site Internet. Connectez-vous sur www.weber.com.**

Une fois les détections de fuites terminées, fermez l'arrivée de gaz (position OFF) à la source puis rincez les connexions à l'eau.

Réinstaller le panneau de commande

Il vous faudra : un tournevis cruciforme.

- A) Positionnez l'extrémité supérieure du panneau de commande sur les languettes du châssis. Enfoncez-le en position.
- B) Réinstallez le module de l'allumeur.
- C) Faites glisser les deux languettes les plus courtes du déflecteur de vent vers l'extrémité interne du panneau de commande tandis que vous ferez glisser la languette la plus longue au-dessus de l'extrémité externe. Recherchez les illustrations précédentes pour avoir une référence.
- D) Alignez les vis avec les trous destinés à les recevoir sur le support du panneau de commande ainsi que sur le châssis.
- E) Serrez les vis.
- F) Placez les boutons de commande correspondants sur les tiges des valves. ♦

RECHARGEMENT DE LA BOUTEILLE DE PROPANE LIQUIDE

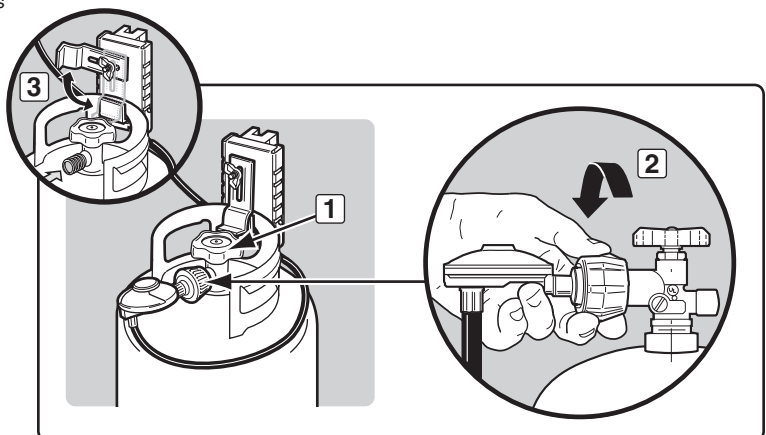
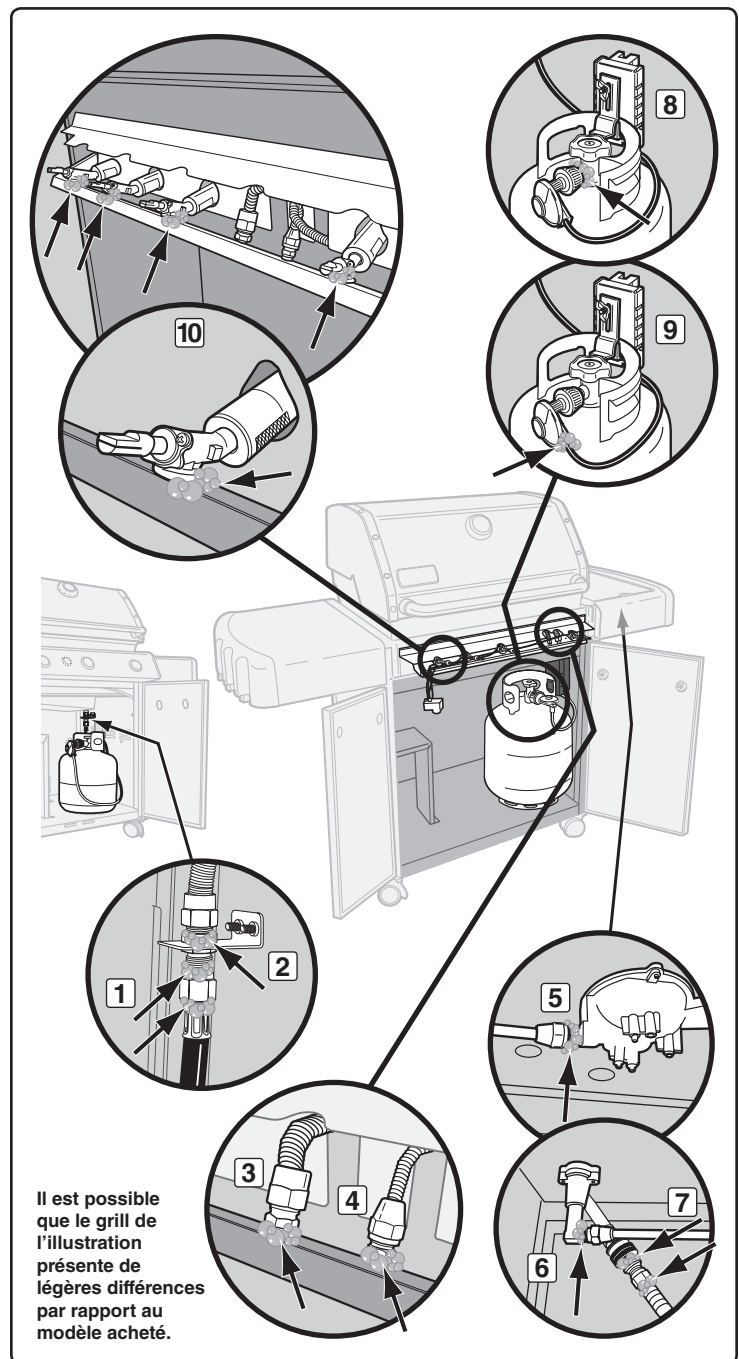
Nous vous recommandons de recharger la bouteille de PL avant que celle-ci ne soit complètement vide.

Retrait de la bouteille de PL :

- A) Fermez la valve de la bouteille de gaz (tournez dans le sens des aiguilles d'une montre) (1).
- B) Dévissez le couplage du régulateur en le tournant dans le sens inverse des aiguilles d'une montre, à la main uniquement (2).
- C) Desserrez l'écrou à oreilles verrouillant la bouteille de gaz et retirez le verrou de la bouteille de gaz (3).
- D) Soulevez la bouteille de gaz pour la sortir.

Pour recharger la bouteille de PL, emmenez-la chez un revendeur de propane, ou cherchez à "gaz propane" dans l'annuaire pour d'autres sources de gaz PL.

- ⚠ **MISE EN GARDE : Nous vous recommandons de faire remplir votre bouteille de PL auprès d'un revendeur de gaz agréé, par du personnel qualifié, qui remplit la bouteille au poids. UN MAUVAIS REMPLISSAGE EST DANGEREUX.**
- ⚠ **ATTENTION : Placez le cache anti-poussière sur la sortie de la valve de la bouteille de gaz chaque fois que la bouteille de gaz est inutilisée. N'utilisez que le type de cache anti-poussière fourni avec la valve de la bouteille de propane. L'utilisation d'autres types de caches ou de bouchons pourrait provoquer une fuite de propane. ♦**

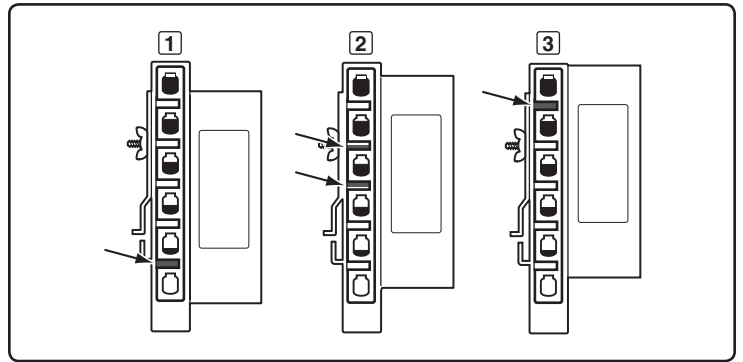


AVANT D'UTILISER LE GRILL

NIVEAU DE COMBUSTIBLE

Vérifiez le niveau de combustible en regardant la ligne de niveau d'indication colorée, située sur le côté de la graduation de la bouteille de gaz.

- A) Vide (1)
- B) Moyen (2)
- C) Plein (3) ♦

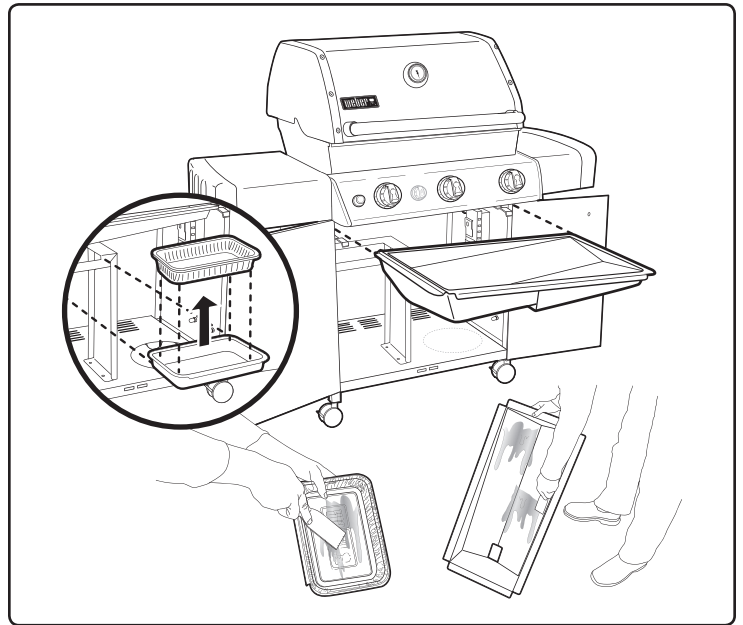


PLATEAU-EGOUTTOIR AMOVIBLE ET EGOUTTOIR JETABLE

Votre grill a été fabriqué avec un dispositif de collecte des graisses intégré. Vérifiez le plateau-égouttoir amovible et l'égouttoir jetable afin de détecter la présence d'accumulations de graisses à chaque fois que vous utilisez votre grill.

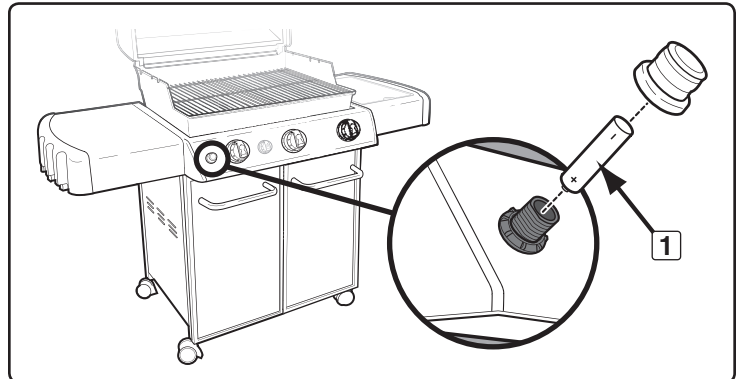
Retirez l'excès de graisse à l'aide d'une spatule en plastique ; voir l'illustration. Lorsque cela s'avère nécessaire, lavez le plateau-égouttoir et l'égouttoir jetable à l'aide d'une solution d'eau savonneuse, puis rincez-les à l'eau claire. Remplacez l'égouttoir jetable lorsque son remplacement est nécessaire.

- ⚠ **MISE EN GARDE : Vérifiez si le plateau-égouttoir et l'égouttoir amovible contiennent des accumulations de graisses avant chaque utilisation. Retirez les excès de graisse afin d'éviter un embrasement de ces graisses. Un embrasement des graisses risquerait de provoquer une blessure grave ou des dégâts matériels.**
- ⚠ **ATTENTION : Ne couvrez-pas le plateau-égouttoir amovible d'une feuille de papier aluminium. ♦**



INSPECTION DE L'ALLUMEUR ELECTRONIQUE

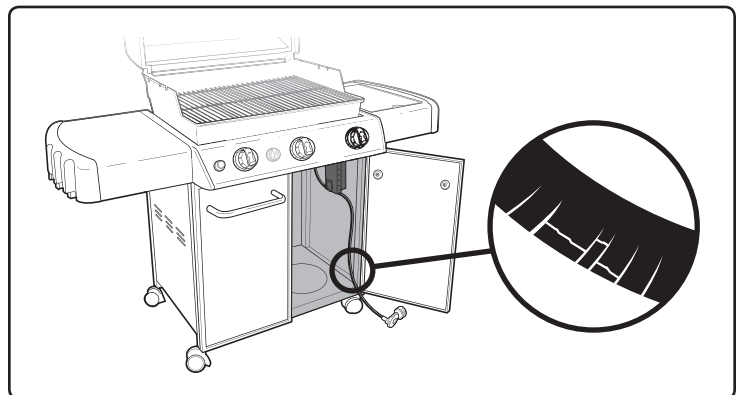
Vérifiez que votre pile AA (alcaline uniquement) est en bon état et qu'elle est correctement installée (1). Certaines piles sont emballées dans un plastique de protection. Ce plastique doit être retiré. Ne confondez pas ce plastique avec l'étiquette de la pile. ♦



INSPECTION DU TUYAU

Le tuyau devrait être inspecté afin de détecter tout signe de fissure.

- ⚠ **MISE EN GARDE : Vérifiez le tuyau avant chaque utilisation du barbecue afin de détecter toute égratignure, fissure, abrasion ou coupure. Si le tuyau s'avère détérioré de quelque manière que ce soit, n'utilisez pas le barbecue. Remplacez le tuyau en utilisant uniquement un tuyau de rechange agréé par Weber®. Contactez le représentant du Service clientèle de votre région à l'aide des coordonnées à votre disposition sur notre site Internet. Connectez-vous sur www.weber.com®. ♦**



ALLUMAGE & UTILISATION DU BRULEUR PRINCIPAL

ALLUMAGE DU BRULEUR PRINCIPAL

Des consignes d'allumage résumées se trouvent à l'intérieur de la porte gauche du meuble.

⚠ DANGER

Le fait de ne pas ouvrir le couvercle lorsque vous allumez les brûleurs du barbecue, ou de ne pas patienter cinq minutes pour laisser le gaz se dissiper si le barbecue ne s'allume pas, peut provoquer un embrasement explosif susceptible de causer des blessures graves voire un décès.

Système d'allumage électronique

Remarque : Chaque bouton de commande contrôle un brûleur individuel. Le Système d'allumage électronique allume un brûleur avec une étincelle émise par l'électrode de l'allumeur à l'intérieur du compartiment d'allumage Gas Catcher™. Vous générez l'énergie pour l'étincelle en enfonçant le bouton d'allumage électronique. Vous entendrez son dé clic.

⚠ MISE EN GARDE : Vérifiez le tuyau avant chaque utilisation du barbecue afin de repérer toute entaille, fissure, abrasion ou coupure. Si le tuyau s'avère détérioré de quelque manière que ce soit, n'utilisez pas le barbecue. Remplacez le tuyau uniquement avec un tuyau de rechange agréé par Weber®. Contactez le représentant du Service clientèle de votre région en utilisant les coordonnées à votre disposition sur notre site Internet. Connectez-vous sur www.weber.com®.

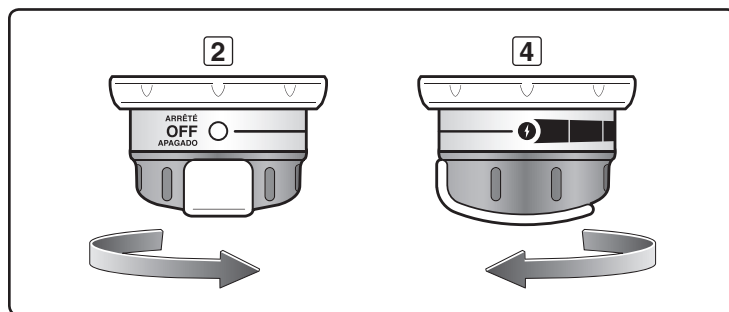
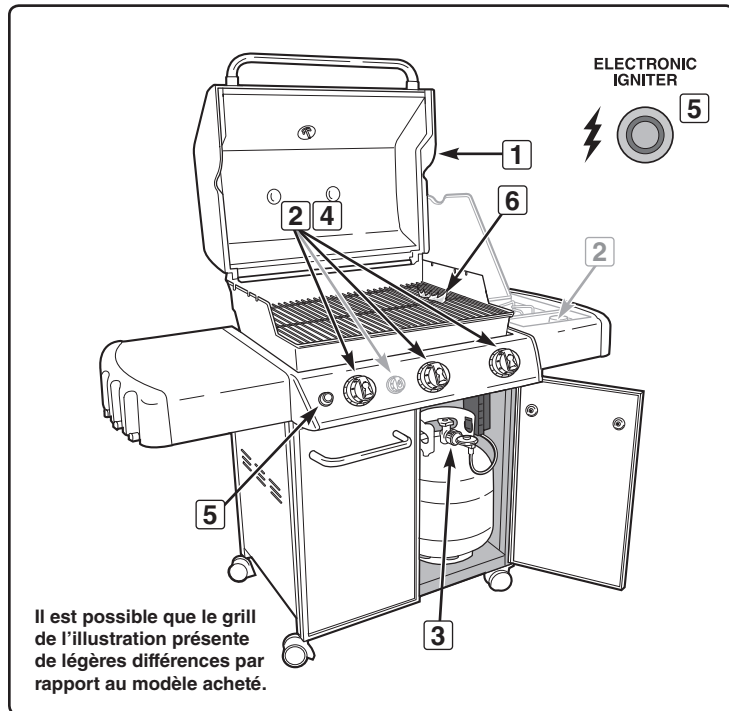
- A) Ouvrez le couvercle (1).
- B) Assurez-vous que tous les boutons de commande du brûleur sont fermés (2). (Enfoncez le bouton de commande et tournez dans le sens des aiguilles d'une montre afin de vous assurer qu'il est en position FERME.)

⚠ MISE EN GARDE : Les boutons de commande du brûleur doivent être positionnés sur FERME avant d'ouvrir la valve de la bouteille de PL. S'ils ne sont pas en position FERME, lorsque vous ouvrez la valve de la bouteille de PL, le dispositif de "contrôle du débit de gaz en excès" s'active, limitant ainsi le débit du gaz en provenance de la bouteille de PL. Si cela se produisait, FERMEZ la valve de la bouteille de PL ainsi que les boutons de commande du brûleur. Recommencez.

⚠ DANGER

Lorsque la fonction de "contrôle du débit de gaz en excès" est activée, une petite quantité de gaz circule toujours en direction des brûleurs. Une fois que vous avez fermé la valve de la bouteille de PL et les boutons de commande du brûleur, patientez au moins cinq minutes pour laisser le gaz se dissiper avant d'essayer d'allumer le grill. Le non respect de cette consigne risquerait de provoquer un embrasement explosif, susceptible de provoquer une blessure grave voire un décès.

- C) Ouvrez la bouteille en tournant lentement la valve de la bouteille de gaz dans le sens inverse des aiguilles d'une montre (3).
- ⚠ MISE EN GARDE : Ne vous penchez pas au-dessus du barbecue ouvert.**
- D) Enfoncez le bouton de commande et positionnez-le sur DEMARRER/ELEVE (4).
- E) Maintenez le bouton d'allumage électronique enfoncé. Vous entendrez son dé clic (5).
- F) Vérifiez si le brûleur est allumé en regardant à travers les grilles de cuisson. Vous devriez voir une flamme (6).
- ⚠ MISE EN GARDE : Si le brûleur ne s'allume pas en cinq secondes, arrêtez, positionnez le bouton de commande sur FERME puis patientez cinq minutes pour laisser le gaz se dissiper avant d'essayer à nouveau ou d'essayer de l'allumer avec une allumette.**
- G) Pour allumer les brûleurs restants, suivez les étapes D à F. ♦



POUR ETEINDRE

Enfoncez et tournez chacun des boutons du brûleur dans le sens des aiguilles d'une montre vers la position FERME. Fermez l'arrivée de gaz à la source. ♦

ALLUMAGE & UTILISATION DU BRULEUR PRINCIPAL

ALLUMAGE MANUEL DU BRULEUR PRINCIPAL

⚠ DANGER

Le fait de ne pas ouvrir le couvercle lorsque vous allumez les brûleurs du barbecue, ou de ne pas patienter cinq minutes pour laisser le gaz se dissiper si le barbecue ne s'allume pas, peut provoquer un embrasement explosif susceptible de cause des blessures graves voire un décès.

- A) Ouvrez le couvercle (1).
- B) Assurez-vous que tous les boutons de commande du brûleur sont en position fermée (2). (Enfoncez le bouton de commande et tournez dans le sens des aiguilles d'une montre pour vous assurer qu'il est positionné sur FERME.)

⚠ **MISE EN GARDE :** Les boutons de commande du brûleur doivent être en position **FERMEE** avant d'ouvrir la valve de la bouteille de PL. S'ils ne sont pas en position **FERMEE**, lorsque vous ouvrez la valve de la bouteille de PL, le dispositif de "contrôle du débit de gaz en excès" va s'activer, limitant ainsi le débit de gaz en provenance de la bouteille de gaz. Si cela se produisait, fermez la valve de la bouteille de PL et les boutons de commande du brûleur. Recommencez.

⚠ DANGER

Lorsque le dispositif de "contrôle du débit de gaz en excès" est activé, une petite quantité de gaz continue de circuler en direction des brûleurs. Une fois que vous avez fermé la bouteille de gaz et les boutons de commande du brûleur, patientez au moins cinq minutes pour que le gaz se dissipe avant de tenter d'éclairer le barbecue. Le non respect de cette consigne risque de provoquer un embrasement explosif, susceptible de provoquer une blessure grave voire un décès.

- C) Ouvrez la bouteille de gaz en tournant lentement la valve de la bouteille dans le sens inverse des aiguilles d'une montre (3).
- D) Placez l'allumette dans le porte-allumettes puis frottez l'allumette.
- E) Insérez le porte-allumette avec l'allumette éclairée à travers les grilles de cuisson et les barres Flavorizer® pour allumer le brûleur sélectionné (4).

⚠ **MISE EN GARDE :** Ne vous penchez pas au-dessus du barbecue ouvert.

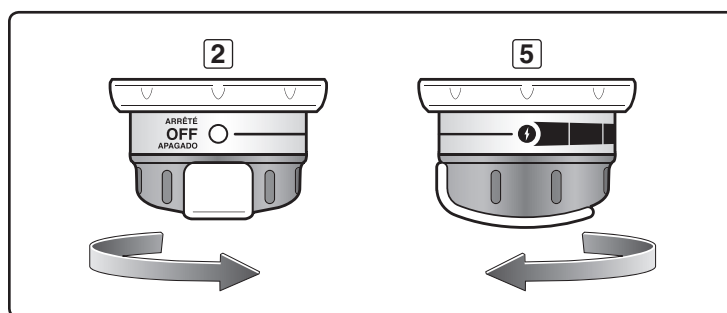
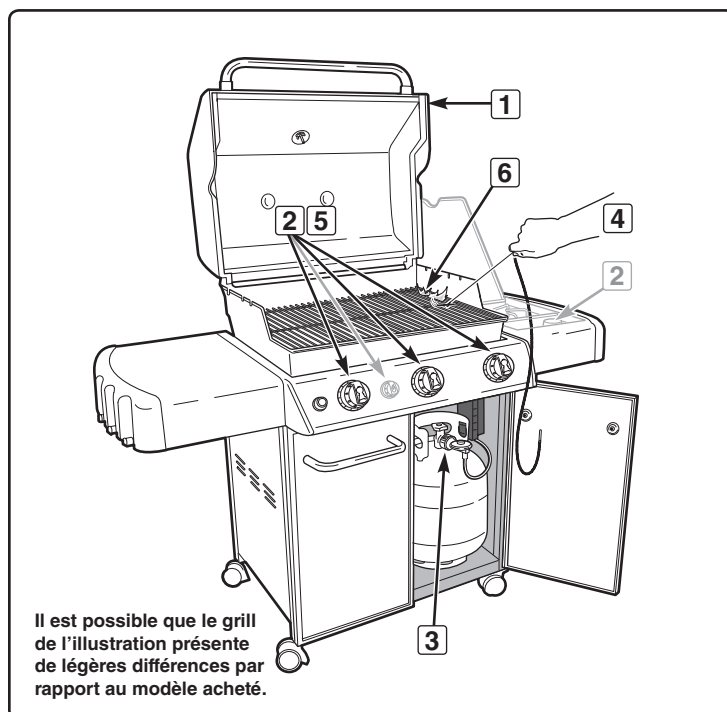
- F) Enfoncez le bouton de commande et tournez-le vers **DEMARRER/ELEVE** (5).
- G) Vérifiez si le brûleur est allumé en regardant à travers les grilles de cuisson. Vous devriez voir une flamme (6).

⚠ **MISE EN GARDE :** Si le brûleur ne s'allume pas en cinq secondes, arrêtez, positionnez le bouton de commande sur **ARRÊT** puis patientez cinq minutes pour laisser le gaz se dissiper avant d'essayer à nouveau ou d'essayer de l'allumer avec une allumette.

- H) Pour allumer les brûleurs restants suivez les étapes D à G. ♦

POUR ETEINDRE

Enfoncez et tournez chaque bouton de commande du brûleur dans le sens des aiguilles d'une montre vers la position **FERME**. Fermez l'arrivée de gaz à la source. ♦



ALLUMAGE & UTILISATION DU GRILL SEAR STATION® (MODELE 330)

ALLUMAGE DU BRULEUR SEAR STATION®

Le modèle 330 comprend un brûleur qui permet de saisir les aliments. Ce brûleur peut également être utilisé de manière individuelle. Par conséquent, l'allumage du brûleur à saisir se passe de la même manière que l'allumage du brûleur principal. Pour allumer le brûleur à saisir, voir "ALLUMAGE DU BRULEUR PRINCIPAL" ♦

ALLUMAGE MANUEL DU BRULEUR SEAR STATION®

Pour allumer manuellement le brûleur à saisir, voir "ALLUMAGE MANUEL DU BRULEUR PRINCIPAL" ♦

UTILISATION DE LA SEAR STATION®

Votre barbecue à gaz Weber® comprend un brûleur à saisir pour saisir des viandes telles que le steak et les pièces de volaille, les poissons ainsi que les côtes.

La saisie est une technique de grillade directe qui dore la surface des aliments à température élevée. En saisissant ou en faisant dorer les deux côtés de la viande, vous allez créer un saveur plus désirable en caramélisant la surface des aliments. La cuisson par saisie va également optimiser l'aspect de la viande grâce aux marques de cuisson laissées par les grilles. Ceci accompagnera le contraste entre les textures et les saveurs qui peuvent rendre les aliments plus intéressants pour le palais.

Le brûleur Sear Station® est pourvu de commandes ARRÊT, DEPART/ELEVE, et FAIBLE qui fonctionnent avec les brûleurs Gauche et Central. Avec le brûleur à saisir et les brûleurs adjacents vous pouvez saisir les viandes efficacement tout en utilisant la zone de cuisson du brûleur Droit pour griller à température modérée.

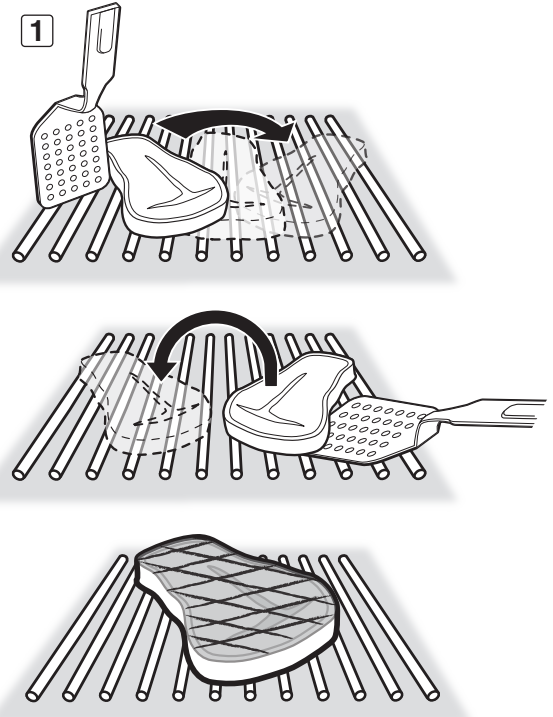
Avant de saisir les aliments vous devriez tourner la totalité des brûleurs principaux sur ELEVE pendant 15 minutes pour préchauffer le grill. Grillez toujours avec le couvercle fermé pour permettre un maximum de chaleur et éviter les embrasements.

Une fois que le grill est préchauffé, fermez ou baissez le brûleur Droit. Laissez les brûleurs Gauche et Central sur ELEVE puis allumez le brûleur Sear Station®.

Placez la viande directement sur la Sear Station®. Vous saisirez chaque côté entre 1 à 4 minutes, en fonction du type de viande et de son épaisseur. Vous pouvez retourner les aliments d'un quart de tour pour créer des marques de grillade qui se croisent (1) avant de saisir l'autre côté de la même manière.

Une fois que vous avez saisi la viande, vous pouvez terminer la grillade en déplaçant la viande vers une chaleur modérée au-dessus du brûleur Droit pour atteindre le niveau de cuisson souhaité.

Au fur et à mesure que vous devenez plus expérimenté dans l'utilisation de votre Sear Station®, nous vous encourageons à expérimenter avec différentes durées de cuisson pour déterminer ce qui fonctionne le mieux par rapport à vos goûts. ♦



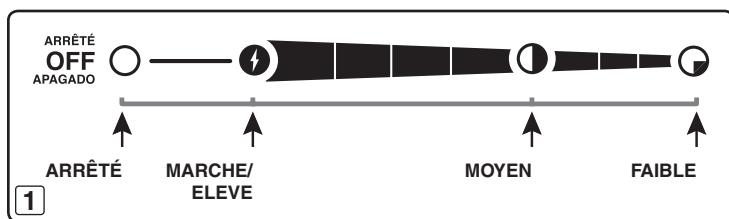
CONSEILS & ASTUCES POUR LA GRILLADE

- Préchauffez toujours le grill avant la cuisson. Réglez tous les brûleurs sur ELEVÉ puis fermez le couvercle; laissez chauffer pendant 10 minutes, ou jusqu'à ce que le thermomètre atteigne 500°-550°F (260°-288°C).
- Grillez les viandes et cuisinez avec le couvercle fermé pour des aliments grillés à la perfection à chaque fois.
- Les durées de grillade des recettes sont fournies pour une température extérieure de 70°F (20°C) avec peu ou pas de vent. Laissez les aliments cuire plus longtemps s'il fait froid ou s'il y a du vent, ou en altitude. Diminuez la durée de cuisson si le temps est extrêmement chaud.
- Les durées de grillade sont susceptibles de varier en fonction des conditions météorologiques, ou de la quantité, de la taille et de la forme des aliments à griller.
- Il est possible que la température de votre grill à gaz atteigne un niveau plus élevé que la normale lors des premières utilisations.
- Les conditions de grillade peuvent nécessiter une adaptation des commandes du brûleur pour atteindre les températures de cuisson correctes.
- En général, les gros morceaux de viande nécessitent une durée de cuisson plus longue par livre que les petits morceaux de viande. Des aliments placés sur une grille de cuisson surchargée devront cuire plus longtemps qu'une petite quantité d'aliments. Les aliments grillés dans des récipients comme les haricots, nécessiteront une durée de cuisson plus longue s'ils sont grillés dans une casserole profonde que s'ils sont cuits dans un plat peu profond.
- Retirez le surplus de matière grasse des steaks, des côtes et des rôtis en ne laissant pas plus d'1/4 pouce (6.4mm) de matière grasse. Le fait qu'il y ait moins de matière grasse facilite le nettoyage, et constitue quasiment une garantie contre les embrasements indésirables.
- Les aliments placés directement sur la grille de cuisson au-dessus des brûleurs peuvent avoir besoin d'être retournés ou d'être déplacés vers une zone moins chaude.
- Utilisez des pinces plutôt que des fourchettes pour retourner et manipuler la viande afin d'éviter toute perte de jus de viande. Utilisez deux spatules pour manipuler les gros poissons entiers.
- En cas d'embrasement indésirable, fermez tous les brûleurs et déplacez les aliments vers une autre zone de la grille de cuisson. Toute flamme se résorbera rapidement. Une fois que les flammes se sont éteintes, rallumez le grill. **N'UTILISEZ JAMAIS D'EAU POUR ÉTEINDRE LES FLAMMES SUR UN GRILL À GAZ.**
- La cuisson de certains aliments, comme les ragoûts ou les filets de poisson fins, nécessite un récipient. Les plats en aluminium jetables sont très pratiques mais vous pouvez utiliser n'importe quel plat métallique avec des gants de cuisiner.
- Assurez-vous toujours que le plateau inférieur et l'égouttoir sont propres et ne contiennent aucun résidu.
- Ne recouvrez pas le plateau de récupération des graisses amovible avec du papier aluminium. Ceci pourrait empêcher la graisse de s'écouler vers l'égouttoir.
- L'utilisation d'un minuteur vous aidera à savoir lorsque la viande "bien cuite" est sur le point de devenir "trop cuite."

Remarque : Si le grill perd de la chaleur pendant la cuisson, veuillez consulter la section intitulée Résolution des problèmes de ce manuel.

⚠ MISE EN GARDE : Ne déplacez pas le barbecue à gaz Weber® en cours d'utilisation ou lorsque celui-ci est très chaud.

Vous pouvez ajuster les brûleurs individuels selon ce que vous souhaitez. Les réglages des commandes (1) sont MARCHE/ELEVÉ, MOYEN, FAIBLE, ou ARRÊTÉ.



Remarque : Il est possible que la température à l'intérieur de votre boîtier de cuisson pendant les premières utilisations, au moment où les surfaces sont encore très réfléchissantes, soit plus élevée que les températures indiquées dans votre livre de cuisine. Les conditions de cuisson, comme le vent et les conditions climatiques, peuvent nécessiter l'ajustement des commandes du brûleur afin d'obtenir les températures de cuisson correctes.

Si les brûleurs s'éteignent pendant la cuisson, éteignez tous les brûleurs puis patientez 5 minutes avant de les allumer à nouveau. ♦

PRÉCHAUFFAGE

Votre barbecue à gaz Weber® est un appareil qui utilise l'énergie de manière efficace. En fonctionnement, son évaluation BTU est faible et économique. Il est important de préchauffer votre grill avant de l'utiliser. Allumez votre grill en respectant les instructions du présent Mode d'emploi. Pour le préchauffage : après l'allumage, positionnez tous les brûleurs sur MARCHE/ELEVÉ, fermez le couvercle, et laissez chauffer jusqu'à ce que la température atteigne un niveau situé entre 500° et 550° F (260° et 290° C), la température de cuisson recommandée. Ceci prendra 10 à 15 minutes en fonction de conditions comme la température de l'air et le vent. ♦

CUISSON COUVERTE

La totalité de la grillade s'effectue avec le couvercle fermé afin d'apporter une chaleur uniforme qui circule de façon homogène. Avec le couvercle fermé, le grill à gaz cuit d'une manière très semblable à un four à convection. Le thermomètre dans le couvercle indique la température de cuisson à l'intérieur du grill. La totalité du préchauffage et de la grillade s'effectue avec le couvercle fermé. N'ouvrez pas pour regarder — vous perdez de la chaleur à chaque fois que vous soulevez le couvercle. ♦

ÉCOULEMENTS DE JUS ET DE GRAISSES

Les barres Flavorizer® sont conçues pour "fumer" la quantité correcte de jus pour une cuisson savoureuse. Les excédents de jus et de graisses vont s'accumuler dans l'égouttoir au-dessous du plateau amovible de récupération des graisses. Des égouttoirs jetables en aluminium sont disponibles ; ils s'adaptent parfaitement à l'égouttoir.

⚠ MISE EN GARDE : Vérifiez le plateau amovible de récupération des graisses ainsi que l'égouttoir afin de détecter toute accumulation de graisse avant chaque utilisation. Retirez tout excès de matière grasse afin d'éviter un embrasement de graisse à l'intérieur du plateau amovible de récupération des graisses. ♦

SYSTÈME FLAVORIZER®

Lorsque les jus de viandes s'écoulent des aliments vers les barres Flavorizer® disposées selon un angle particulier, elles créent de la fumée qui donne aux aliments une saveur de barbecue irrésistible. Grâce à la conception unique des brûleurs, des barres Flavorizer® et aux commandes de température souples, les embrasements incontrôlés sont presque éliminés, parce que VOUS contrôlez les flammes. En raison du design particulier des barres Flavorizer® et des brûleurs, les graisses en excès sont orientées vers le plateau de récupération des graisses amovible puis dans l'égouttoir. ♦

SEAR STATION®

Votre grill à gaz Weber® comprend peut-être un brûleur qui permet de saisir les viandes et le poisson. Le brûleur Sear Station® propose les réglages OFF, START/HI, ou LOW (2) et ces réglages fonctionnent avec les deux brûleurs principaux adjacents. Avec le brûleur sear et les brûleurs adjacents vous pouvez saisir efficacement les viandes tout en utilisant les autres zones de cuisson pour cuire à température modérée (Voir la section "ALLUMAGE & UTILISATION DU BRÛLEUR SEAR STATION® (MODELE 330)"). ♦



ALLUMAGE & UTILISATION DU BRULEUR LATÉRAL

ALLUMAGE DU BRULEUR LATÉRAL

Vous trouverez des instructions d'allumage résumées à l'intérieur de la porte gauche du placard.

⚠ DANGER

Le fait de ne pas ouvrir le couvercle lorsque vous allumez le brûleur latéral, ou de ne pas patienter cinq minutes pour laisser le gaz se dissiper si le brûleur latéral ne s'allumait pas, pourrait provoquer un embrasement explosif susceptible d'entraîner une blessure grave ou la mort.

⚠ **MISE EN GARDE: Vérifiez le tuyau avant chaque utilisation du barbecue afin de détecter toute entaille, fissure, abrasion ou coupure. Si vous trouvez que le tuyau est détérioré de quelque manière que ce soit, n'utilisez pas le barbecue. Remplacez-le en utilisant uniquement un tuyau de rechange agréé par Weber®. Veuillez entrer en contact avec le Représentant du Service clientèle le plus proche au moyen des coordonnées à votre disposition sur notre site Internet. Connectez-vous sur www.weber.com®.**

- A) Ouvrez le couvercle du brûleur latéral (1).
- B) Vérifiez que le brûleur latéral est positionné sur ARRÊTÉ (2). (Enfoncez le bouton de commande et tournez dans le sens des aiguilles d'une montre pour vous assurer qu'il est positionné sur ARRÊTÉ), positionnez tous les brûleurs inutilisés sur ARRÊTÉ (Enfoncez et tournez dans le sens des aiguilles d'une montre).
- C) Ouvrez la valve d'arrivée de gaz (3).
- D) Enfoncez et tournez la valve de commande du brûleur latéral vers MARCHE/ELEVE (4).
- E) Enfoncez le bouton d'allumage plusieurs fois de sorte que celui-ci émette un déclic à chaque fois jusqu'à ce que vous voyez une flamme (5).

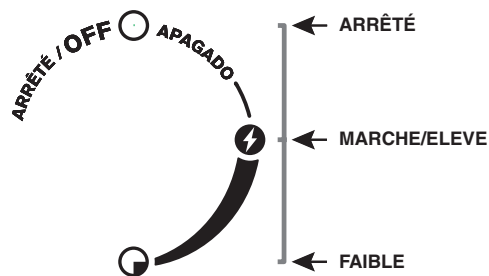
⚠ **ATTENTION: Il peut être difficile de voir la flamme du brûleur latéral par une journée claire et ensoleillée.**

⚠ **MISE EN GARDE: si le brûleur latéral ne s'allume pas dans un délai de cinq secondes:**

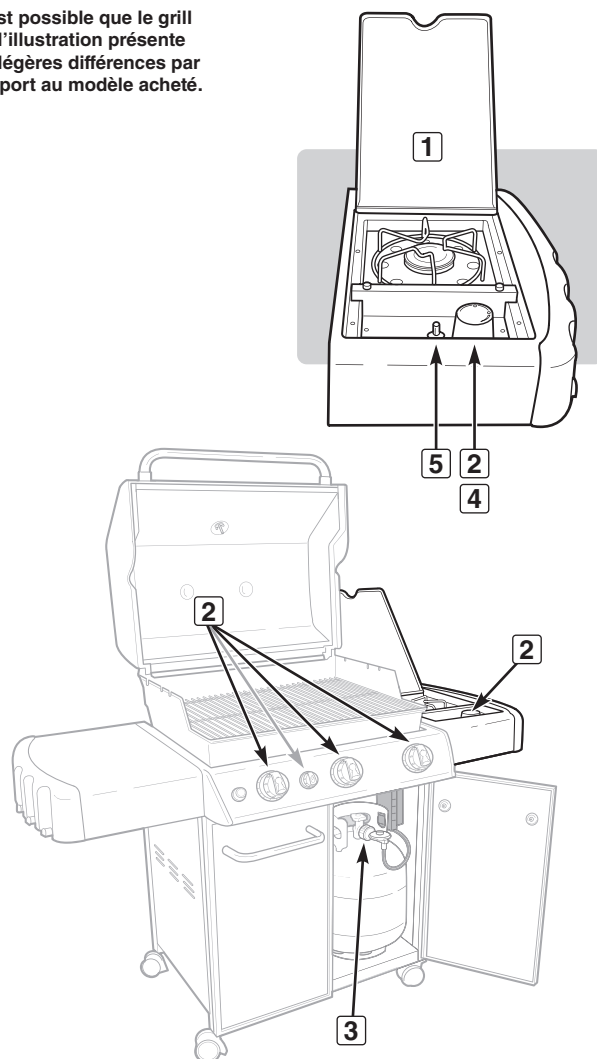
- a) Fermez la valve de commande du brûleur latéral, les brûleurs principaux et l'arrivée de gaz à la source.
- b) Patientez cinq minutes pour laisser le gaz se dissiper avant d'essayer à nouveau, ou essayez de l'allumer avec une allumette (voir "ALLUMAGE MANUEL DU BRULEUR LATÉRAL"). ♦

POUR ÉTEINDRE

Enfoncez et tournez le bouton de commande du brûleur latéral vers la position d'ARRÊT (OFF). Assurez-vous que le brûleur est éteint et qu'il a refroidi avant de fermer le couvercle du brûleur latéral. ♦



Il est possible que le grill de l'illustration présente de légères différences par rapport au modèle acheté.



ALLUMAGE & UTILISATION DU BRULEUR LATÉRAL

ALLUMAGE MANUEL DU BRULEUR LATÉRAL

⚠ DANGER

Le fait de ne pas ouvrir le couvercle lorsque vous allumez le brûleur latéral ou de ne pas patienter cinq minutes pour laisser le gaz se dissiper si le brûleur latéral ne s'allumait pas pourrait provoquer un embrasement explosif susceptible de provoquer une blessure grave ou la mort.

- A) Ouvrez le couvercle du brûleur latéral (1).
- B) Vérifiez que le brûleur latéral est positionné sur ARRÊTÉ (2). (Enfonchez le bouton de commande et tournez dans le sens des aiguilles d'une montre pour vous assurer qu'il est positionné sur ARRÊTÉ), positionnez tous les brûleurs inutilisés sur ARRÊTÉ (Enfonchez et tournez dans le sens des aiguilles d'une montre).
- C) Ouvrez la valve d'arrivée de gaz (3).
- D) Placez une allumette dans un porte-allumette et frottez-la.
- E) Tenez le porte-allumette et allumez les deux côtés du brûleur avec l'allumette (4).
- F) Enfonchez et tournez la valve de commande du brûleur latéral pour la positionner sur MARCHE/ELEVE (5).

⚠ **ATTENTION:** Il peut être difficile de distinguer la flamme du brûleur latéral par une journée claire et ensoleillée.

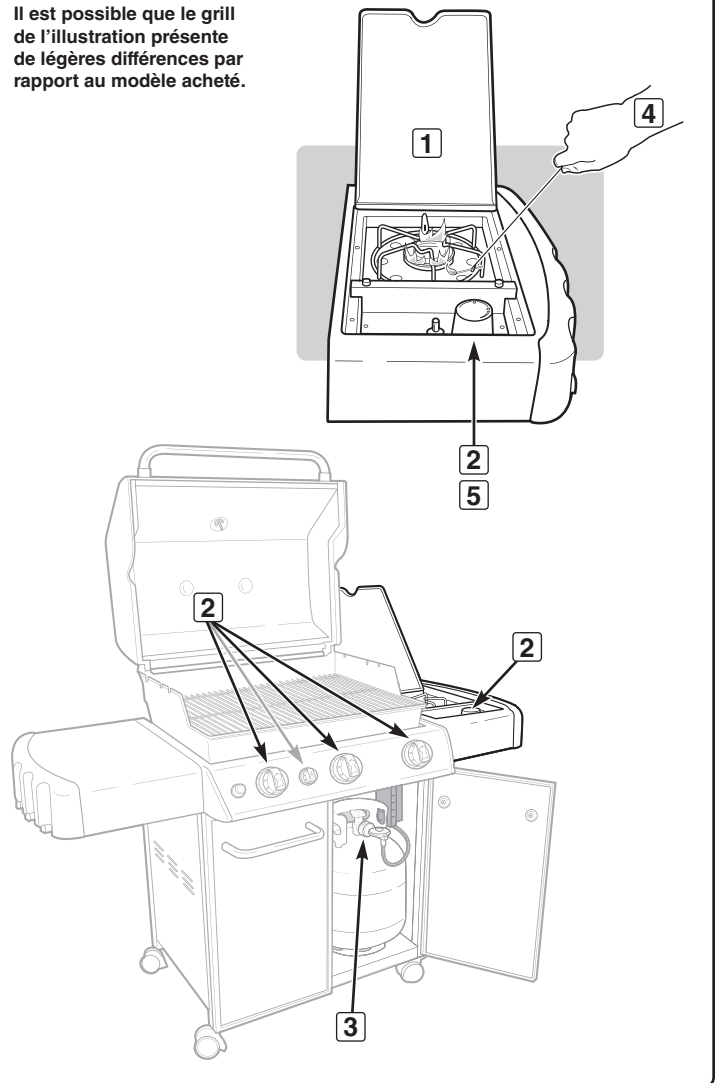
⚠ **MISE EN GARDE:** si le brûleur latéral ne s'allume pas dans un délai de cinq secondes:

- a) Fermez la valve de commande du brûleur latéral, les brûleurs principaux et l'arrivée de gaz à la source.
- b) Patientez cinq minutes pour laisser le gaz se dissiper avant d'essayer à nouveau. ♦

POUR ÉTEINDRE

Enfonchez et tournez le bouton de commande du brûleur latéral vers la position d'ARRÊT (OFF). Assurez-vous que le brûleur est éteint et qu'il a refroidi avant de fermer le couvercle du brûleur latéral. ♦

Il est possible que le grill de l'illustration présente de légères différences par rapport au modèle acheté.



DEPANNAGE

PROBLEME	VERIFICATION	SOLUTION
Les brûleurs brûlent avec une flamme jaune ou orange, associée à une odeur de gaz.	Inspectez les grilles anti insectes/araignées pour détecter toute obstruction éventuelle. (Blocage des trous.)	Nettoyez les grilles anti araignées/insectes. Voir "MAINTENANCE ANNUELLE".
Symptômes : Les brûleurs ne s'allument pas -ou- Les brûleurs ont une petite flamme vacillante en position ELEVE. -ou- La température du barbecue atteint uniquement 250° à 300° en position ELEVE	Le dispositif de sécurité empêchant un débit excessif, qui fait partie du raccord entre le barbecue et la bouteille de gaz, s'est peut-être activé.	Pour réinitialiser le dispositif de sécurité de contrôle du débit de gaz tournez la totalité des boutons de commande des brûleurs ainsi que la valve de la bouteille de gaz pour les fermer. Positionnez les boutons de commande des brûleurs sur ELEVE. Patientez au moins 1 minute. Positionnez les boutons de commande des brûleurs sur FERME. Reconnectez le régulateur à la bouteille de gaz. Ouvrez la valve de la bouteille de gaz lentement. Voir "ALLUMAGE DU BRULEUR PRINCIPAL".
Le brûleur ne s'allume pas, ou la flamme est basse en position ELEVE.	Le niveau de combustible PL est-il faible ou vide ?	Remplissez la bouteille de PL.
	Le tuyau de combustible est-il plié ou pincé ?	Redressez le tuyau de combustible.
Le brûleur ne s'allume pas lorsque vous enfoncez le bouton de l'allumeur.	Assurez-vous que du gaz circule en direction des brûleurs en tentant d'allumer vos brûleurs avec une allumette. Voir "ALLUMAGE MANUEL DU BRULEUR PRINCIPAL."	Si l'allumage avec une allumette réussit, cela signifie que le problème vient du dispositif d'allumage. Voir "UTILISATION DU SYSTEME D'ALLUMAGE ELECTRONIQUE."
	Une pile neuve a-t-elle été installée ?	Vérifiez que la pile est en bon état et correctement en place. Voir "INSPECTION DE L'ALLUMEUR ELECTRONIQUE".
	Les câbles sont-ils correctement raccordés au module d'allumage ?	Assurez-vous que les câbles sont correctement insérés dans les terminaux sur le boîtier d'allumage. Voir "UTILISATION DU SYSTEME D'ALLUMAGE ELECTRONIQUE".
	Y a-t-il un emballage plastique autour de la pile neuve ?	Retirez l'emballage plastique.
⚠ ATTENTION : Ne recouvrez pas le plateau amovible de récupération des graisses avec du papier aluminium.	Préchauffez-vous le barbecue selon la méthode recommandée ?	Tous les brûleurs sur ELEVE pendant 10 à 15 minutes pour le préchauffage.
	Y a-t-il une forte accumulation de graisse carbonisée sur les grilles de cuisson, les déflecteurs de chaleur et les barres Flavorizer® ?	Nettoyez de manière approfondie. Voir "NETTOYAGE".
	Est-ce que le plateau amovible de récupération des graisses est sale et empêche la graisse de s'écouler vers l'égouttoir ?	Nettoyez le plateau amovible de récupération des graisses.
La forme de la flamme du brûleur est irrégulière. La flamme est basse lorsque le brûleur est réglé sur ELEVE. Les flammes ne se trouvent pas sur toute la longueur du tube du brûleur.	Les brûleurs sont-ils propres ?	Nettoyez les brûleurs. Voir "MAINTENANCE".
L'intérieur du couvercle semble s'écailler. (Ressemble à de la peinture qui s'écaille.)	L'intérieur du couvercle est composé de porcelaine émaillée ou d'acier inoxydable, et il n'est pas peint. Il ne peut pas s'écailler. Ce que vous voyez c'est de la graisse carbonisée qui s'envole sous forme de flocons. CE N'EST PAS UN DEFAUT.	Nettoyez de manière approfondie. Voir "NETTOYAGE".
Les portes du meuble ne sont pas en face l'une de l'autre.	Vérifiez la goupille d'ajustement au bas de chaque porte.	Desserrez le ou les écrous d'ajustement. Faites glisser la ou les portes jusqu'à ce qu'elles soient en face. Serrez l'écrou.
Si les problèmes ne peuvent pas être corrigés en utilisant ces méthodes, veuillez contacter le représentant du Service clientèle de votre région à l'aide des coordonnées à votre disposition sur notre site Internet. Connectez-vous sur www.weber.com ®.		

DEPANNAGE DU BRULEUR LATERAL

PROBLEME	VERIFICATION	SOLUTION
Le brûleur latéral ne s'allume pas.	L'arrivée de gaz est-elle fermée ? Le dispositif de sécurité limitant le débit de gaz en excès, qui fait partie du raccord entre le barbecue et la bouteille de gaz, s'est peut-être activé.	Ouvrez l'arrivée de gaz. Pour réinitialiser le dispositif de sécurité limitant le débit de gaz en excès, fermez la totalité des boutons de commande du brûleur ainsi que la valve de la bouteille de gaz. Déconnectez le régulateur de la bouteille de gaz. Tournez les boutons de commande du brûleur vers MARCHE/ELEVE. Patientez au moins 1 minute. Positionnez les boutons de commande du brûleur sur ARRÊTÉ. Reconnectez le régulateur à la bouteille de gaz. Ouvrez lentement la valve de la bouteille de gaz. Consultez les instructions de la section "ALLUMAGE DU BRULEUR LATERAL"
La flamme est petite en position ELEVE.	Le tuyau d'alimentation en combustible est-il plié ou coincé ?	Redressez le tuyau.
L'allumage par bouton poussoir ne fonctionne pas.	Le brûleur s'allume-t-il avec une allumette ?	Si le brûleur s'allume avec une allumette, vérifiez l'allumeur (voir "MAINTENANCE" du brûleur latéral).

Si vous ne parvenez pas à résoudre les problèmes en utilisant ces méthodes, veuillez entrer en contact avec le Représentant du Service clientèle le plus proche grâce aux coordonnées à votre disposition sur notre site Internet. Connectez-vous sur www.weber.com.

MAINTENANCE

NETTOYAGE

- ⚠ **MISE EN GARDE** : Fermez votre barbecue à gaz Weber® et attendez que celui-ci ait refroidi avant de le nettoyer.
- ⚠ **ATTENTION** : Ne nettoyez pas vos barres Flavorizer® ou vos grilles de cuisson dans un four auto-nettoyant.

Surfaces externes - Utilisez une solution d'eau savonneuse chaude pour le nettoyage, ensuite rincez à l'eau.

- ⚠ **ATTENTION** : N'utilisez pas de nettoyant pour four, de détergents abrasifs (détergents de cuisine), de détergents contenant des agrumes, ni des tampons de nettoyage abrasifs sur les surfaces du barbecue ou du chariot.

Sortez le plateau amovible en le faisant glisser - Retirez la graisse en excès, puis lavez à l'eau savonneuse chaude, avant de rincer.

- ⚠ **ATTENTION** : Ne recouvrez pas le plateau de récupération des graisses amovible de papier aluminium.

Barres Flavorizer® et grilles de cuisson - Nettoyez-les avec une brosse en acier inoxydable adaptée. Si nécessaire, retirez-les du grill et lavez-les à l'eau savonneuse chaude, puis rincez-les à l'eau.

Pour connaître la disponibilité des grilles de cuisson et des barres Flavorizer® de rechange, veuillez entrer en contact avec le Représentant du Service clientèle de votre région grâce aux coordonnées à votre disposition sur notre site Internet. Connectez-vous sur www.weber.com.

Egouttoir - Nous proposons des plats en aluminium jetables, ou vous pouvez recouvrir l'égouttoir de papier aluminium. Pour nettoyer l'égouttoir, lavez-le à l'eau savonneuse chaude, puis rincez-le.

Thermomètre - Essuyez-le avec de l'eau savonneuse chaude ; nettoyez-le avec une balle de plastique à récurer.

Boîtier de cuisson - Retirez tout débris en le brossant vers l'extérieur des tubes du brûleur. N'ELARGISSEZ PAS LES PORTS (OUVERTURES). Lavez l'intérieur du boîtier de cuisson à l'eau savonneuse chaude puis rincez à l'eau.

Intérieur du couvercle - Lorsque le couvercle est encore chaud, essuyez l'intérieur avec une serviette en papier pour empêcher toute accumulation de graisse. Les éclats de graisse accumulés ressemblent à des éclats de peinture.

Surfaces en acier inoxydable - Lavez les surfaces avec un chiffon doux et une solution d'eau savonneuse. Veillez à frotter dans le sens du grain de l'acier inoxydable.

N'utilisez pas de produits de nettoyage contenant de l'acide, des alcools minéraux ou du xylène. Rincez bien une fois le nettoyage terminé.

Préservez votre acier inoxydable - Votre grill ou son placard, son couvercle, son panneau de commande ainsi que ses étagères peuvent être en acier inoxydable. Préserver l'aspect optimal de l'acier inoxydable n'est pas compliqué. Nettoyez à l'eau savonneuse, rincez à l'eau claire et essuyez pour sécher. Pour les particules tenaces, vous pouvez utiliser une brosse non métallique.

- ⚠ **IMPORTANT** : N'utilisez pas de brosse métallique ni de détergents abrasifs sur les surfaces en acier inoxydable de votre grill car ceci le rayerait.

- ⚠ **IMPORTANT** : Lorsque vous nettoyez les surfaces assurez-vous de frotter/essuyer dans le sens du grain pour préserver l'aspect de votre acier inoxydable. ♦

GRILLES ANTI-ARAIGNEES/INSECTES WEBER®

Votre barbecue à gaz Weber®, comme tout appareil à gaz d'extérieur, constitue une cible pour les araignées et les autres insectes. Ceux-ci peuvent faire leur nid dans la section des venturi (1) des tubes du brûleur. Ceci bloque le débit normal du gaz, et risque de provoquer le retour du gaz à l'extérieur de l'ouverture destinée à l'air nécessaire à la combustion. Ceci pourrait entraîner un incendie à l'intérieur et autour des ouvertures destinées à recevoir l'air nécessaire à la combustion, au-dessous du panneau de commande, provoquant une détérioration grave de votre barbecue.

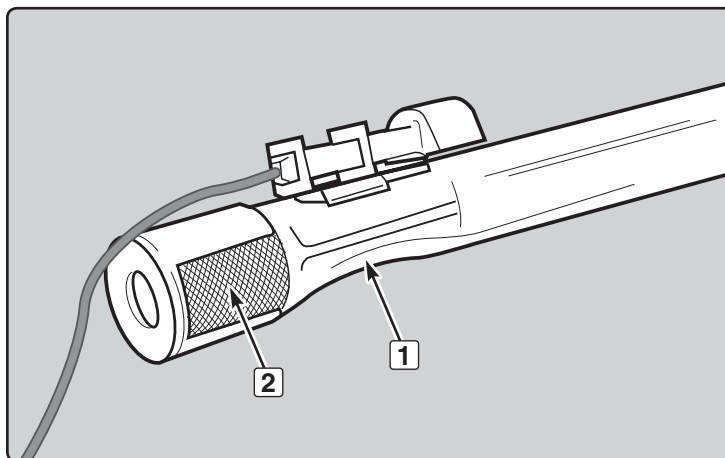
L'ouverture destinée à recevoir l'air nécessaire à la combustion est protégée par une grille en acier inoxydable (2) afin d'empêcher les araignées et les autres insectes d'accéder aux tubes du brûleur à travers les ouvertures de circulation de l'air nécessaire à la combustion.

Nous vous recommandons d'inspecter les Grilles anti-araignées/insectes au moins une fois par an. (Voir la Section "MAINTENANCE ANNUELLE") Veuillez également inspecter et nettoyer les Grilles anti-araignées/insectes si l'un des symptômes suivant se produisait :

- A) Une odeur de gaz associée à l'aspect jaune et faible des flammes du brûleur.
- B) Le barbecue n'atteint pas la température.
- C) Le barbecue ne chauffe pas de façon homogène.
- D) Un ou plusieurs brûleurs ne s'allument pas.

⚠ DANGER

Le fait de ne pas corriger les symptômes mentionnés ci-dessus pourrait entraîner un incendie, susceptible de provoquer une blessure grave ou la mort et des dommages à la propriété. ♦



NETTOYAGE OU REMPLACEMENT DES TUBES DU BRULEUR

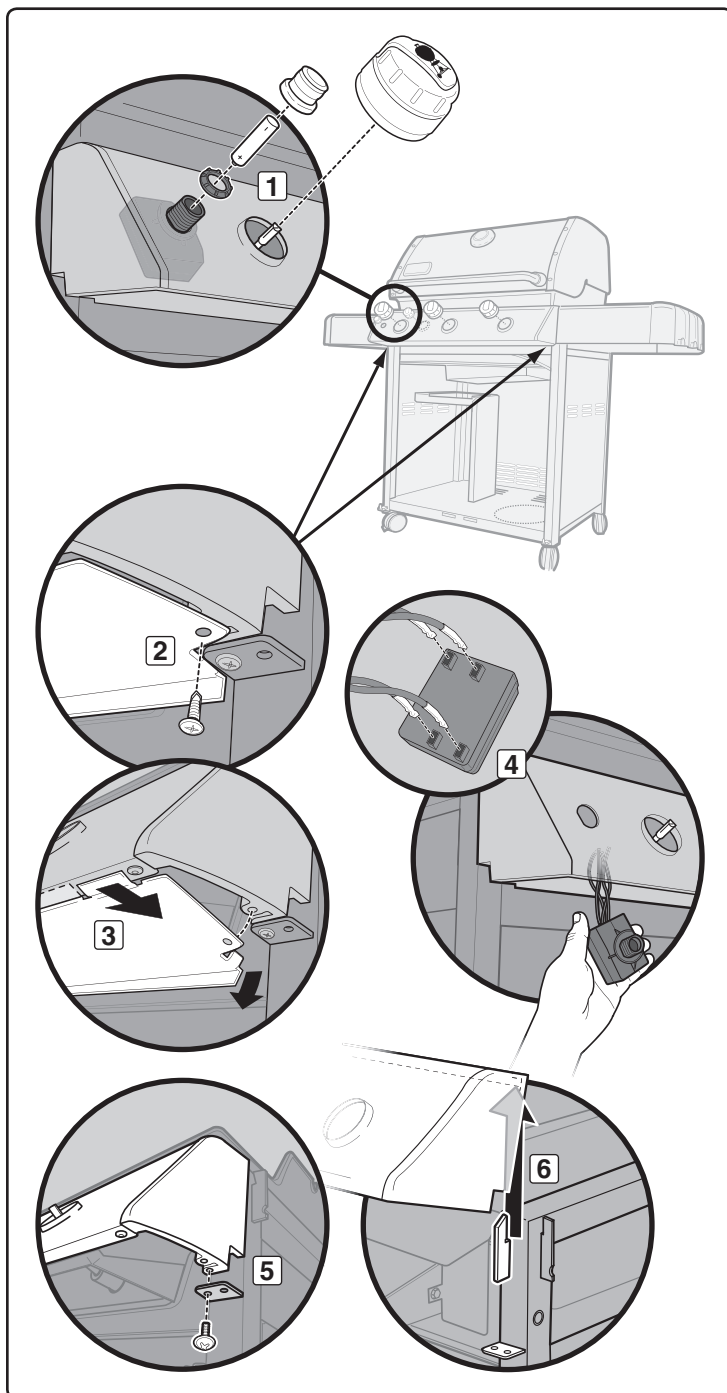
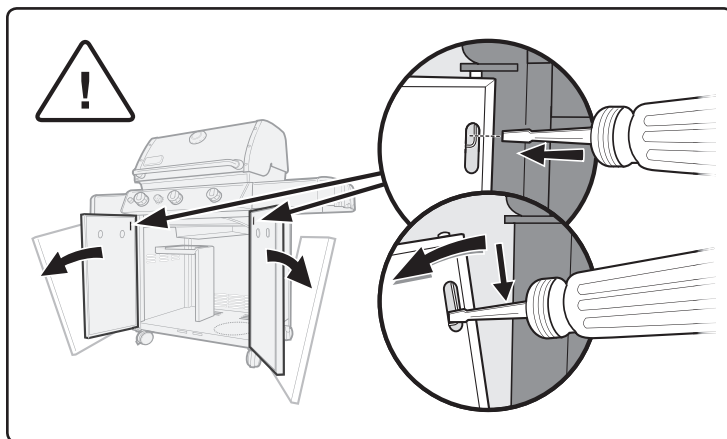
Il vous faudra : un tournevis cruciforme et un tournevis plat.

- A) Votre barbecue à gaz Weber® doit être ETEINT et refroidi.
- B) FERMEZ le gaz à la source.
- C) Retirez les composants du boîtier de cuisson - grille de maintien au chaud, grilles et barres Flavorizer®. (Les plaques de diffusion de la chaleur n'ont pas besoin d'être retirées.)

Retrait du panneau de commande

Pour retirer le panneau de commande :

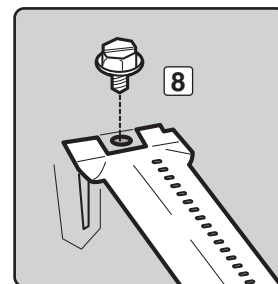
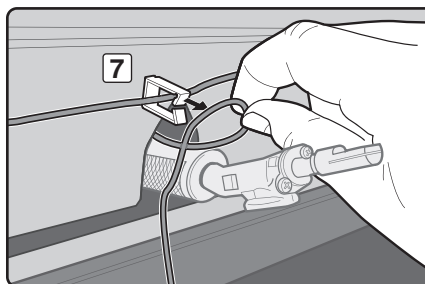
- A) Retirez les boutons de commande, le bouton de l'allumeur, l'écrou de rétention de l'allumeur ainsi que la pile (1).
- B) Retirez les vis du déflecteur de vent (2) situé au-dessous du panneau de commande à l'aide d'un tournevis cruciforme.
- C) Inclinez l'extrémité du déflecteur de vent vers le bas puis faites-le glisser vers l'extérieur pour le retirer (3).
- D) Retirez le module de l'allumeur du panneau de commande (4) puis retirez la totalité des quatre fils du module.
- E) Retirez les vis du dessous du panneau de commande avec le tournevis cruciforme (5).
- F) Soulevez légèrement le panneau de commande, inclinez l'extrémité avant vers le haut puis soulevez-le doucement vers le haut pour le retirer (6).



Retrait du tube du brûleur

Pour retirer le(s) tube(s) du brûleur :

- Retirez le(s) fil(s) de la ou des pince(s) de l'allumeur (7).
 - Retirez la vis qui maintient le tube du brûleur contre le boîtier de cuisson à l'aide d'un tournevis plat (8).
 - Tirez sur l'ensemble du tube du brûleur (ceci comprend l'allumeur) vers le haut puis à l'extérieur du boîtier de cuisson (9).
- Remarque : 310/320 unités auront un câble de raccordement à la terre supplémentaire fixé au tube du brûleur central (10).



Nettoyage du tube du brûleur

Pour nettoyer le(s) tube(s) du brûleur :

- Regardez à l'intérieur de chaque brûleur avec une lampe torche (11).
- Nettoyez l'intérieur des brûleurs avec un fil de fer (12) (un cintre déplié fonctionnera).
- Vérifiez et nettoyez l'orifice de l'obturateur d'air aux extrémités des brûleurs. Vérifiez et nettoyez les orifices de la valve à la base de chaque valve. Utilisez une brosse en fils d'acier pour nettoyer l'extérieur des brûleurs (13). Ceci a pour but de vous assurer que les ports du brûleur sont complètement ouverts.

⚠ ATTENTION : N'élargissez pas les ports du brûleur pendant que vous les nettoyez.

Réinstallation du tube du brûleur

Pour réinstaller le tube du brûleur :

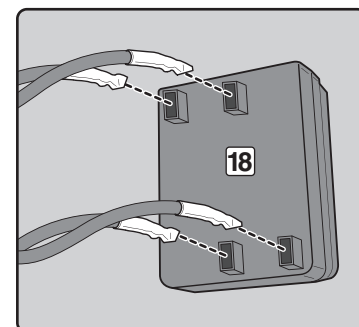
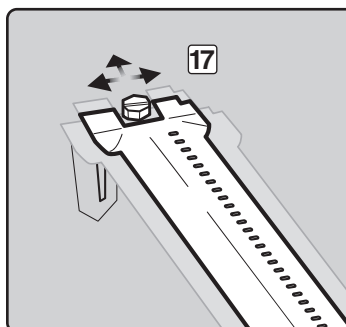
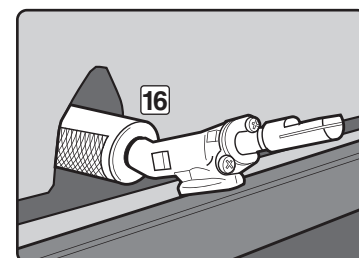
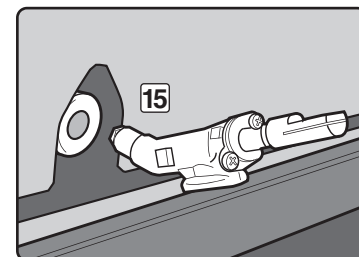
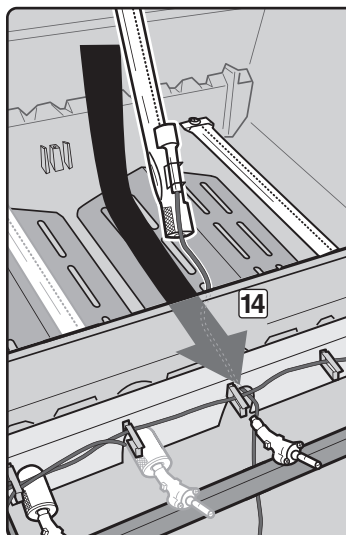
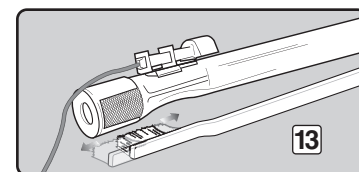
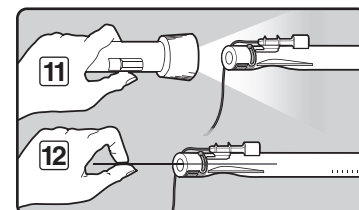
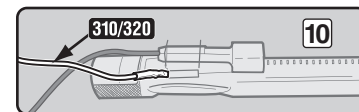
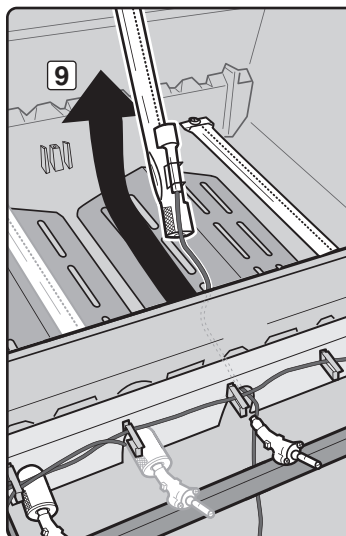
- Faites glisser le tube du brûleur et le câble de l'allumeur à travers le trou dans le boîtier de cuisson (14). Voir "UTILISATION DES SYSTEMES D'ALLUMAGE ELECTRONIQUES" pour la position correcte du brûleur.
 - Alignez le tube du brûleur en face de la valve.
- ⚠ ATTENTION : Les ouvertures du brûleur (15) doivent être correctement positionnées au-dessus des orifices des valves (16).**
- Remettez en place les vis qui maintiennent le tube du brûleur contre le boîtier de cuisson à l'aide d'un tournevis plat. Le tube du brûleur peut sembler desserré (17) alors que la vis est ajustée. Ceci est normal.
 - Faites passer les fils à nouveau à travers les pinces de l'allumeur. Voir le schéma (7).

⚠ ATTENTION : Tous les fils doivent être correctement orientés à travers les pinces prévues pour maintenir les fils.

- Fixez les fils au module, en respectant le codage numérique/par couleur (18). Voir "UTILISATION DU SYSTEME D'ALLUMAGE ELECTRONIQUE" pour la fixation correcte des fils.

⚠ MISE EN GARDE: après avoir réinstallé les tuyaux à gaz, procédez à la détection de fuites éventuelles à l'aide d'une solution savonneuse avant d'utiliser le grill barbecue. (Voir étape: "DETECTION DES FUITES DE GAZ".)

⚠ MISE EN GARDE : Assurez-vous que toutes les pièces sont assemblées et que la quincaillerie est complètement serrée avant d'utiliser le grill. Vos actions, si vous ne respectez pas cette Mise en garde concernant le produit, peuvent provoquer un incendie, une explosion, ou une défaillance structurelle entraînant une blessure grave voire un décès ainsi que des dégâts matériels. ♦



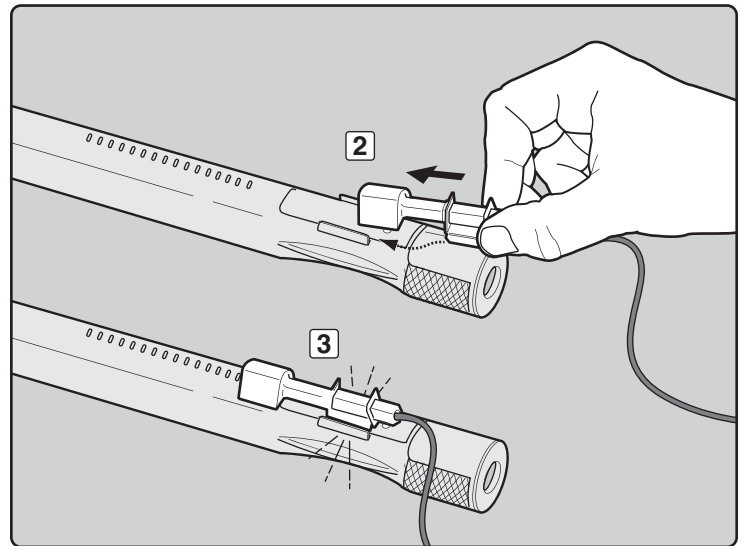
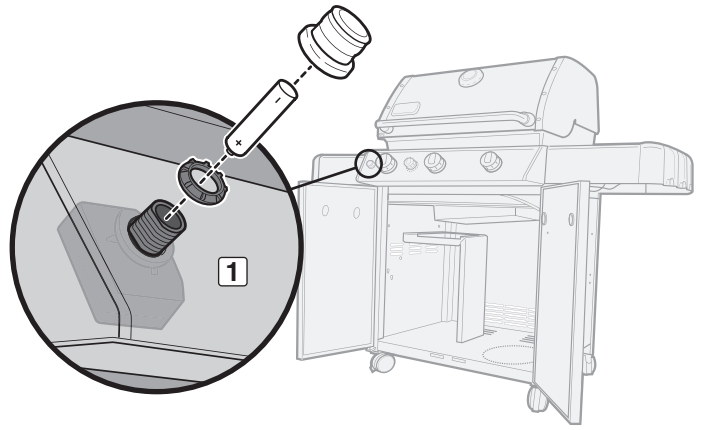
UTILISATION DU SYSTEME D'ALLUMAGE ELECTRONIQUE

Si le Système d'allumage électronique n'allume pas le brûleur, assurez-vous que le gaz circule bien en essayant d'allumer vos brûleurs avec une allumette. Voir "ALLUMAGE MANUEL DU BRULEUR PRINCIPAL". Si l'allumage avec une allumette réussit, le problème réside dans l'allumage électronique.

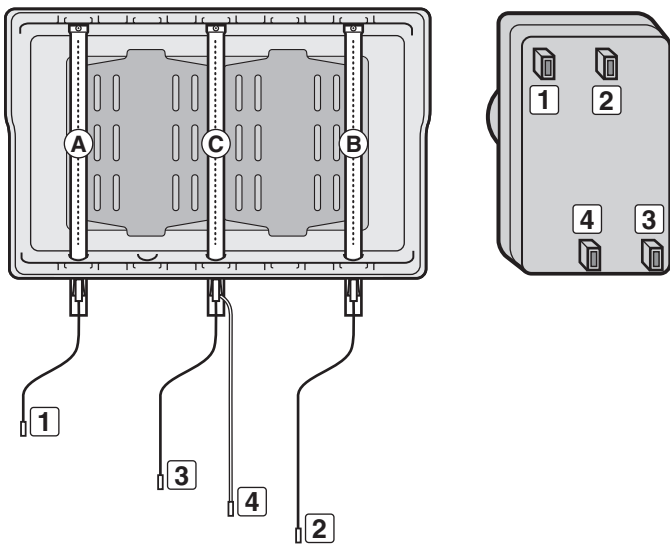
⚠ MISE EN GARDE : La totalité des commandes de gaz et des valves d'arrivée de gaz devrait être en position FERMEE (OFF).

- Vérifiez que la pile AA (alcaline uniquement) est en bon état et qu'elle est installée correctement (1). Certaines piles sont emballées dans un plastique de protection. Ce plastique doit être retiré. Ne confondez pas ce plastique avec l'étiquette de la pile.
- Assurez-vous que les câbles d'allumage sont correctement fixés sur le module de l'allumeur. Voir le "GUIDE DE CABLAGE DU MODULE DE L'ALLUMEUR" ci-dessous.
- Assurez-vous que l'assemblage de l'allumeur céramique est complètement positionné à l'intérieur du canal de l'allumeur du tube du brûleur (2). Si le positionnement est correct, vous entendrez un déclic (3).
- Assurez-vous que le bouton de l'Allumage électronique fonctionne en écoutant et en regardant pour détecter les étincelles au niveau du brûleur.

Si le Système d'allumage électronique ne s'allume toujours pas, contactez le représentant du Service clientèle de votre région à l'aide des coordonnées à votre disposition sur notre site Internet. Connectez-vous sur www.weber.com®. ♦

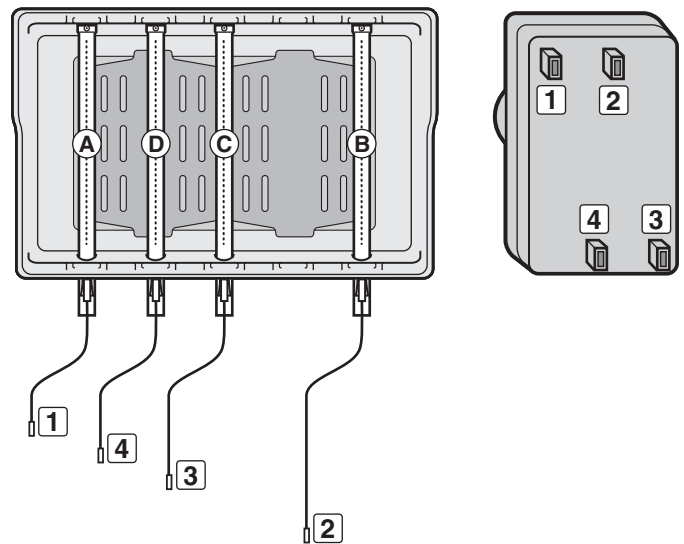


GUIDE DE CABLAGE DU MODULE DE L'ALLUMEUR 310/320



Couleur extrémité de câble & terminal	Tube du brûleur
Noir (1)	Brûleur gauche (A)
Jaune (2)	Brûleur droit (B)
Bleu (3)	Brûleur central (C)
Vert (Raccordement à la terre) (4)	Brûleur central (C)

GUIDE DE CABLAGE DU MODULE DE L'ALLUMEUR 330



Couleur extrémité de câble & terminal	Tube du brûleur
Noir (1)	Brûleur gauche (A)
Jaune (2)	Brûleur droit (B)
Bleu (3)	Brûleur central (C)
Vert (4)	Brûleur Sear (D)

MAINTENANCE DU BRULEUR LATÉRAL

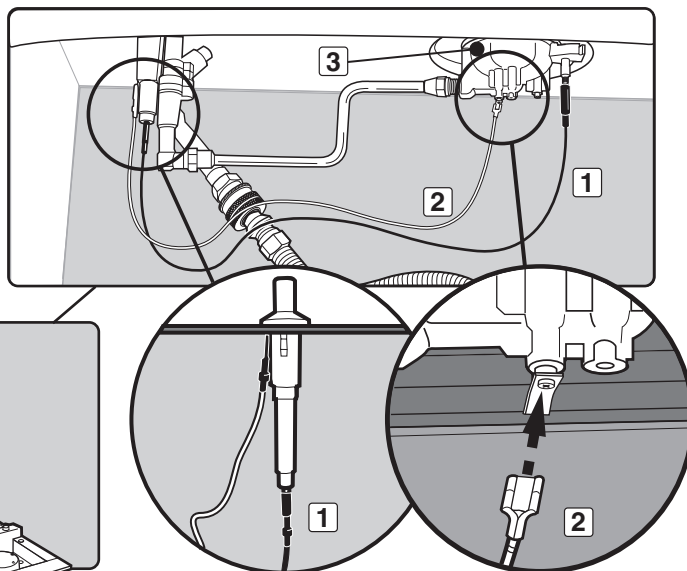
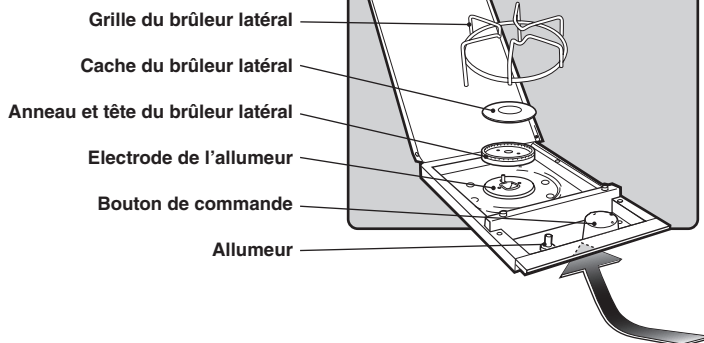
⚠ MISE EN GARDE: La totalité des commandes de gaz et des valves d'alimentation devraient être positionnées sur ARRÊTÉ.

Assurez-vous que le câble noir est branché entre l'allumeur et l'électrode.

Assurez-vous que le câble blanc est branché entre l'allumeur et la pince de raccordement à la terre.

L'étincelle devrait être blanche/bleue, pas jaune.

- A) Câble de l'allumeur (1)
- B) Câble de raccordement à la terre (2)
- C) Brûleur (3) ♦



MAINTENANCE ANNUELLE

Inspection et nettoyage de la grille anti-araignées/insectes

Pour inspecter les Grilles anti-araignées/insectes, retirez le panneau de commande. En cas de présence de poussière ou d'impuretés sur les grilles, retirez les brûleurs pour nettoyer les grilles.

Brossez légèrement les Grilles anti-araignées/insectes avec une brosse à poils souples (par exemple, une vieille brosse à dents).

⚠ ATTENTION : Ne nettoyez pas les Grilles anti-araignées/insectes à l'aide d'ustensiles durs ou coupants. Ne délogez pas les Grilles-anti araignées/insectes de leurs emplacements et n'élargissez pas les ouvertures des grilles.

Tapotez légèrement le brûleur pour faire sortir les débris et les impuretés du tube du brûleur. Une fois que les Grilles anti-araignées/insectes sont propres, remettez les brûleurs en place.

Si la Grille anti-araignées/insectes se détériore ou ne peut pas être nettoyée, veuillez entrer en contact avec le Représentant du service clientèle le plus proche à l'aide des coordonnées à votre disposition sur notre site Internet.

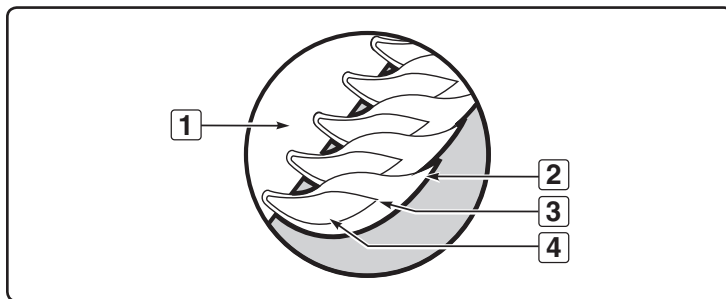
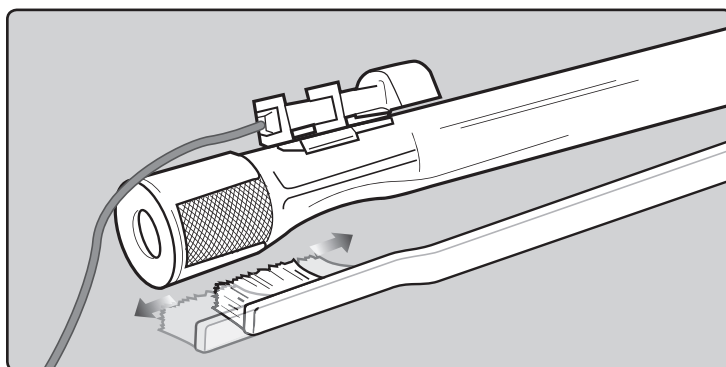
Connectez-vous sur www.weber.com.

Aspect des flammes du brûleur

Les brûleurs du barbecue à gaz Weber® ont été paramétrés en usine pour recevoir le mélange d'air et de gaz correct. L'illustration montre l'aspect correct de la flamme.

- A) Tube du brûleur (1)
- B) Les extrémités flambaient de temps en temps en jaune (2)
- C) Bleu clair (3)
- D) Bleu foncé (4)

Si les flammes ne semblent pas uniformes tout au long du tube du brûleur, suivez les procédures de nettoyage du brûleur. ♦



⚠ ATTENTION : Ce produit a fait l'objet de tests de sécurité et est certifié pour une utilisation dans un pays particulier uniquement. Vérifiez la désignation de pays située sur le carton d'emballage.

Ces pièces peuvent contenir du gaz ou être des éléments dont la combustion produit du gaz. Veuillez consulter le Service clientèle de Weber-Stephen Products Co. pour des renseignements sur les pièces de rechange originales de Weber-Stephen Products Co.

⚠ MISE EN GARDE : Ne tentez pas d'effectuer des réparations sur des éléments contenant du gaz ou sur des éléments dont la combustion produit du gaz sans contacter le service clientèle de Weber-Stephen Products Co. Si vous ne suivez pas la présente Mise en garde relative au produit, vos actions risquent de provoquer un incendie ou une explosion entraînant des blessures physiques graves voire un décès ainsi que des dégâts matériels.



WEBER-STEPHEN PRODUCTS CO.

www.weber.com[®]