

This Owner's Manual is provided and hosted by [Appliance Factory Parts](http://www.appliancefactoryparts.com).



GE ZSC1202NSS01 Owner's Manual

[Shop genuine replacement parts for GE
ZSC1202NSS01](#)



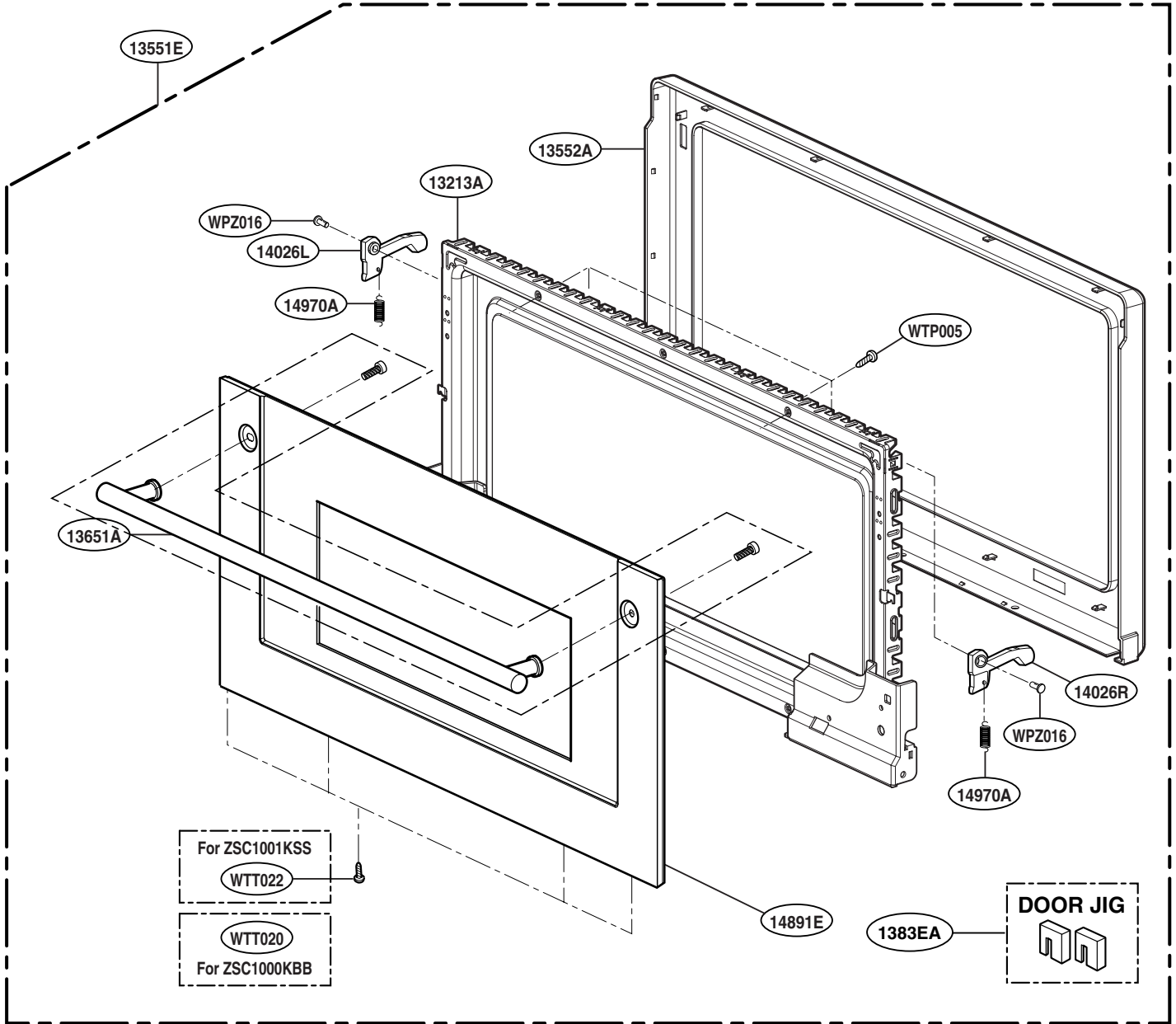
[Find Your GE Microwave Parts - Select From 3055 Models](#)

----- Manual continues below -----

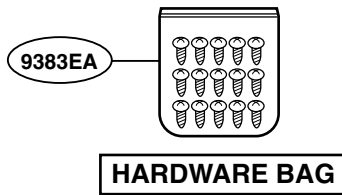
EXPLODED VIEW

DOOR PARTS

MODEL: ZSC1000KBB
ZSC1001KSS

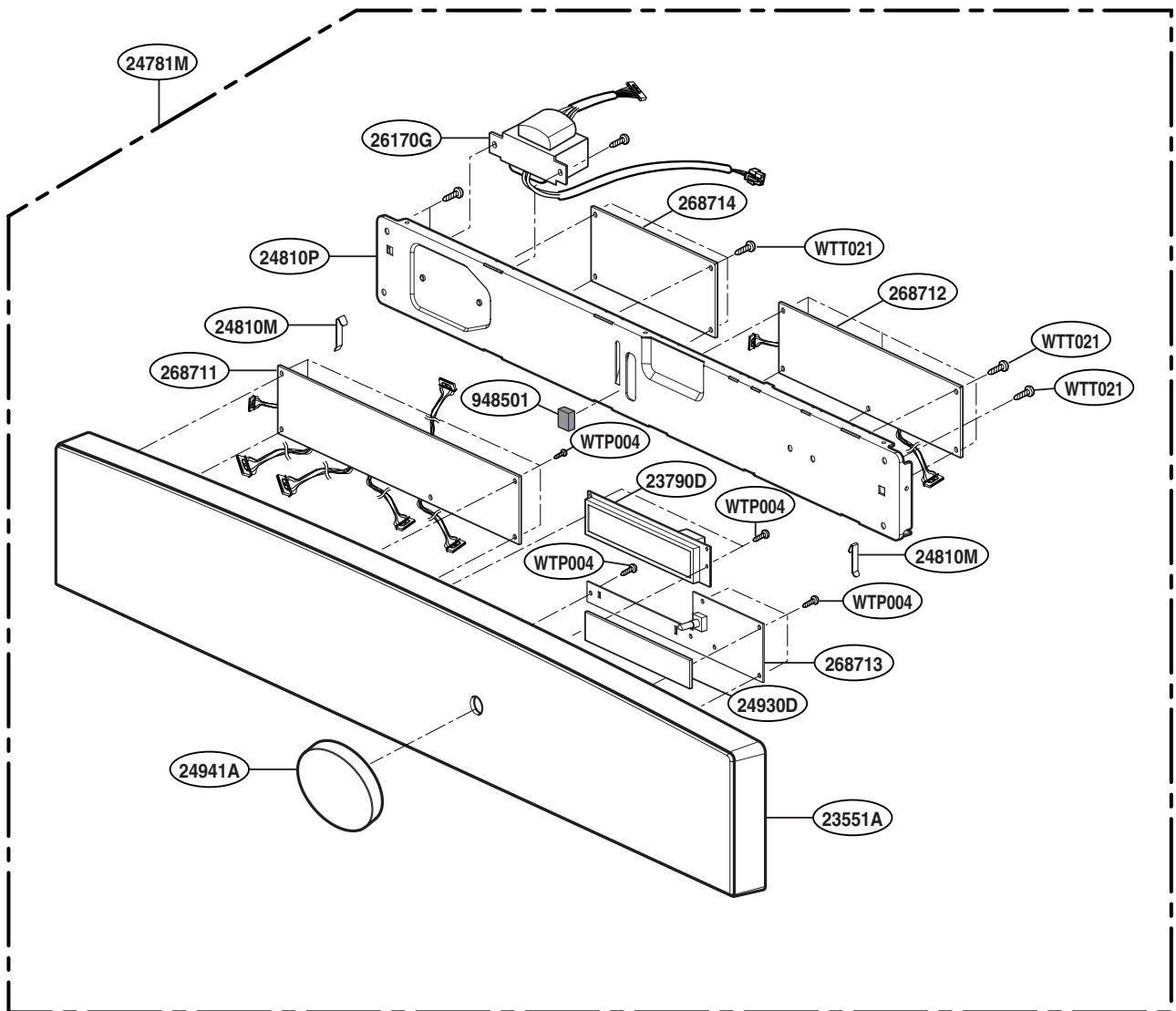


DOOR JIG



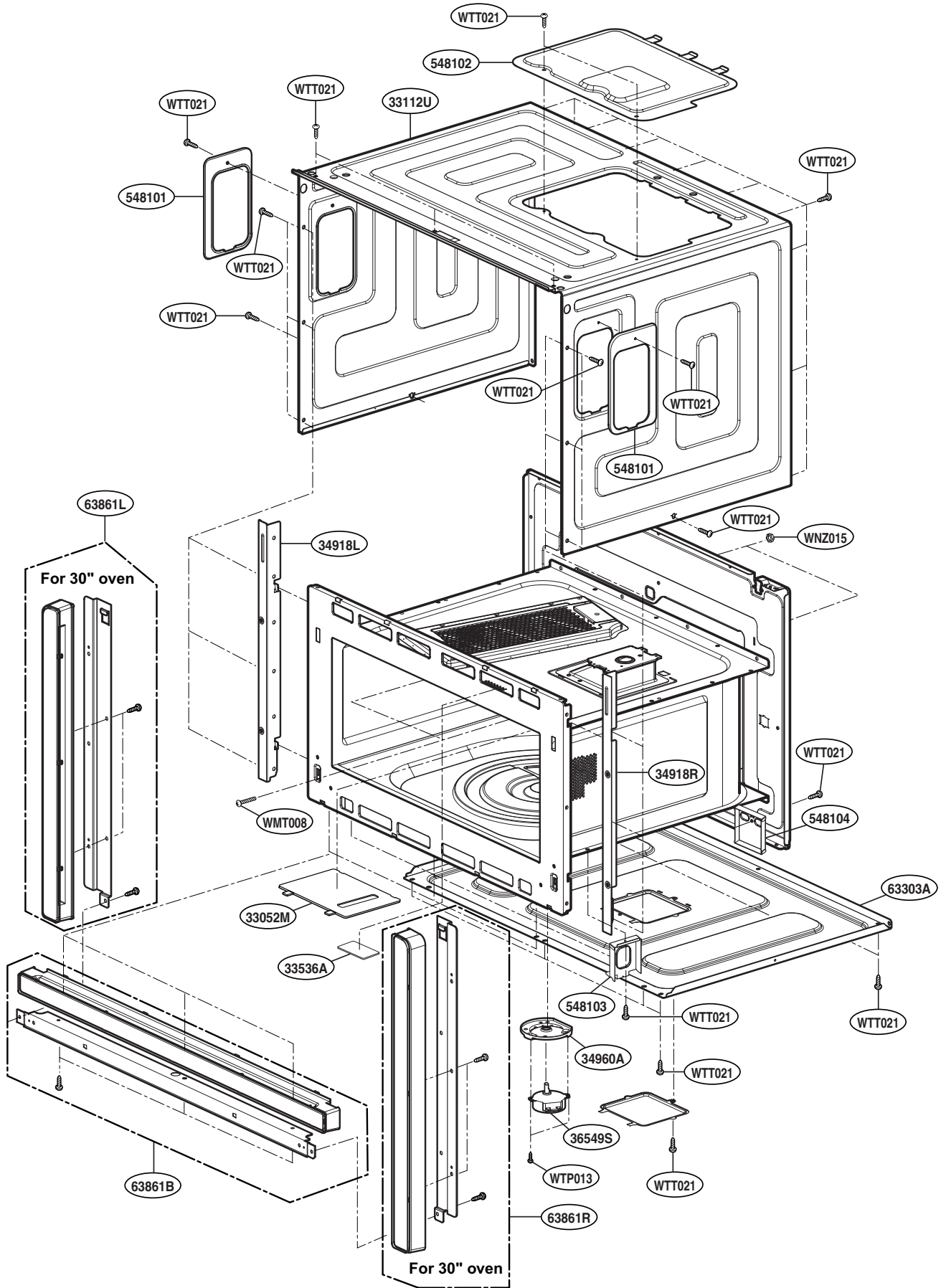
CONTROLLER PARTS

MODEL: ZSC1000KBB
ZSC1001KSS



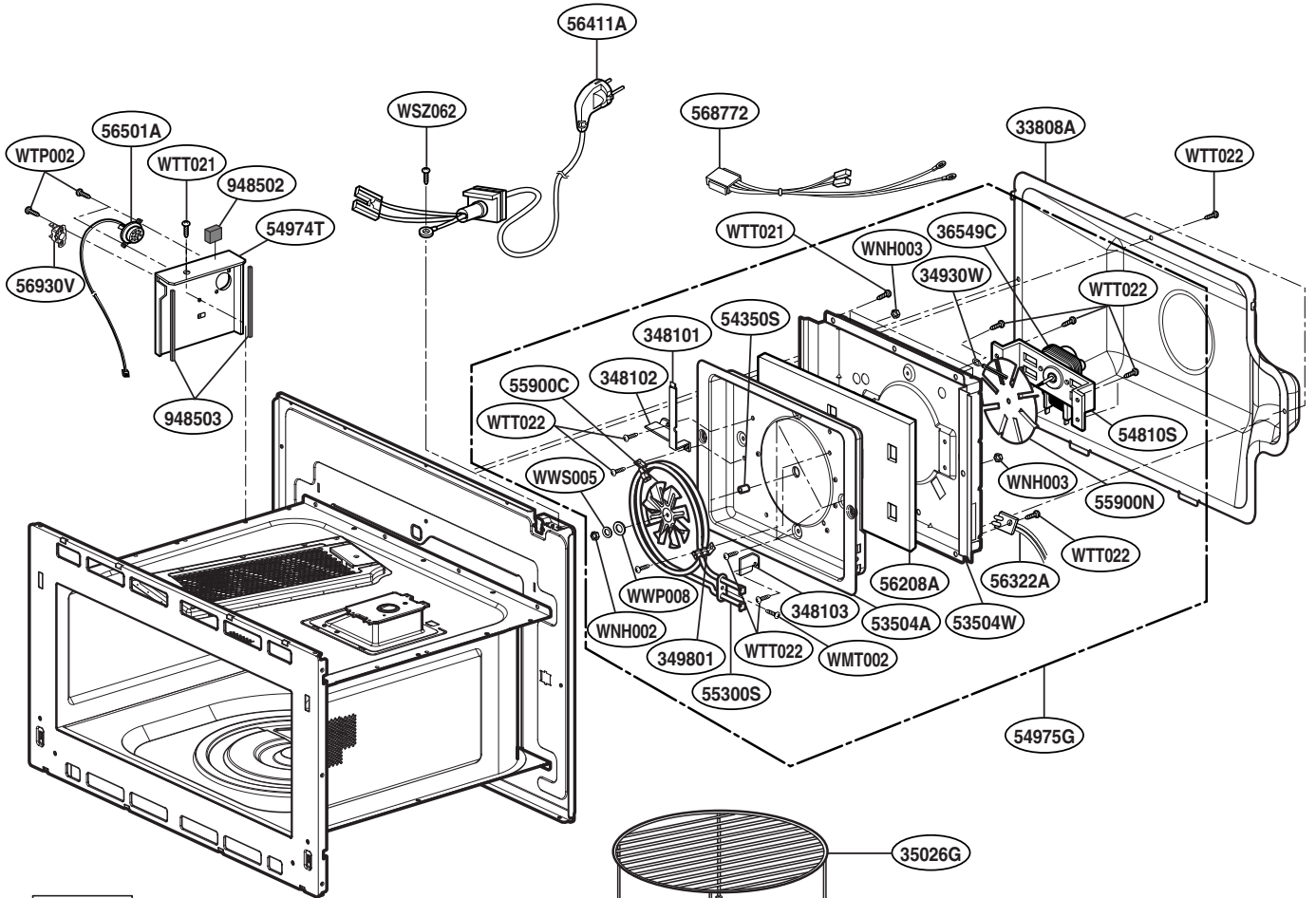
OVEN CAVITY PARTS

MODEL: ZSC1000KBB
ZSC1001KSS

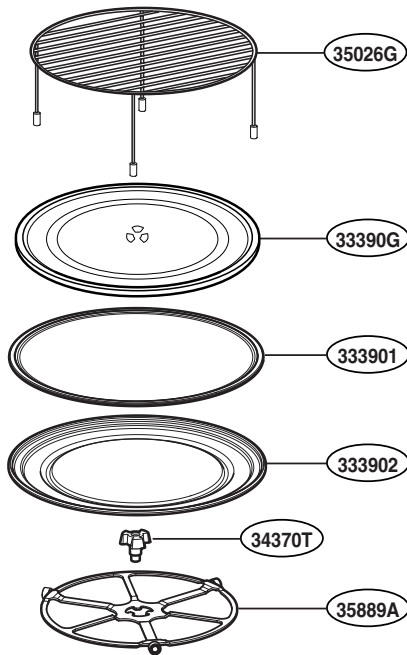


INTERIOR PARTS

MODEL: ZSC1000KBB
ZSC1001KSS

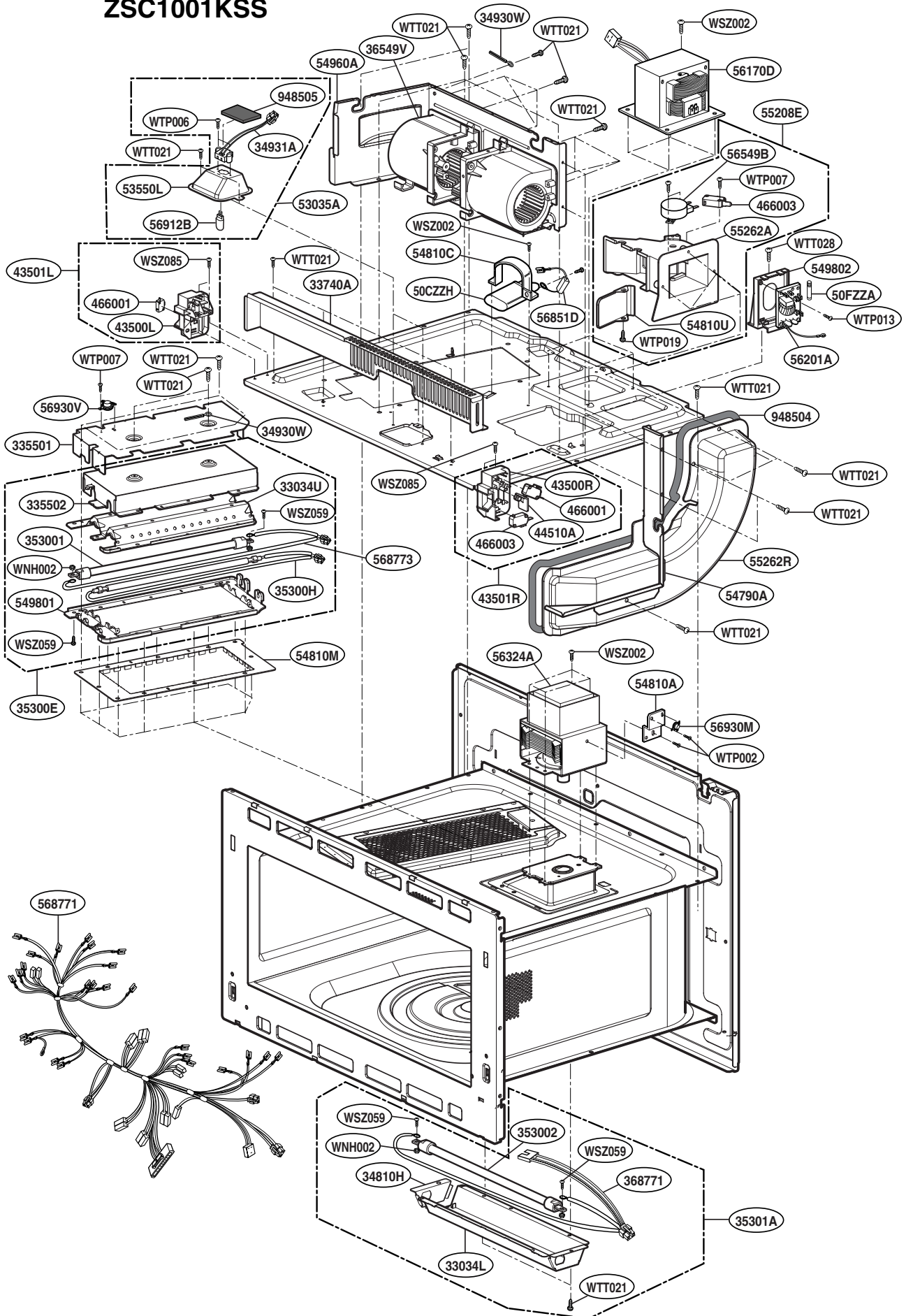


- Use & Care *01
- Cook Book *03
- Installation Manual *04
- Cooking Guide Label *05
- Mini Manual *07



INSULATOR PARTS

MODEL: ZSC1000KBB
ZSC1001KSS



REPLACEMENT PARTS LIST

For model: ZSC1000KBB/01

Rev.2 Jul 18, 2005

Rev.1 Mar 26, 2005

LOC. NO	DESCRIPTION	DIFFERENCE CHART		SVC	QTY	ALTERNATIVE PART NO.	REMARKS
		Before (Rev.1)	After (Rev.2)				
*01	MANUAL, OWNERS	3828W5A4601		R	1		
*03	COOK BOOK	3878W5A0126		R	1		
*04	MANUAL, INSTALLATION	3828W5U0445		R	1		
*05-1	LABEL, COOKING GUIDE	-	3850W5D004B	R	1		ADD
*05-2	LABEL, COOKING GUIDE	-	3850W5D004C	R	1		ADD
*07	CARD, TECHNICAL	3840W5T0034		R	1		
*10	BOX, YELLOW	3890W3Y827G	3890W3Y994B	R	1		Change
13213A	DOOR FRAME ASSEMBLY	3213W0A014C		R	1		
13552A	CHOKE COVER	3552W0A020A		R	1		
13581A	DOOR ASSEMBLY	3581W0A145B		R	1		
13651A	HANDLE ASSEMBLY	3651W1A002G		R	1		
14026L	LATCH	4026W1A032A		R	1		
14026R	LATCH	4026W1A033A		R	1		
14891E	SERVICE PARTS(GLASS ASSY +DOOR PANEL COVER+MARK)	383EW1A110A		R	1		
14970A	SPRING	4970W1A003D		R	2		
23551A	SERVICE PARTS(PANEL, CONTROL+ GLASSY ASSY+COVER)	383EW1A109A		R	1		
23790D	DIGITRON	6302W5A011D		R	1		
24781M	CONTROLLER ASSEMBLY, KEY PAD	4781W0M082B		R	1		
24810M	BRACKET, MISC	-	4810W1A371A	R	2		ADD
24810P	BRACKET, CONTROL PANEL	4810W0A006A		R	1		
24930D	HOLDER, DISPLAY	4930W1A065A		R	1		
24941A	KNOB ASSEMBLY	4941W1A002B		R	1		
26170G	TRANSFORMER, POWER	6170W2G008F		R	1		
268711	PWB(PCB) ASSEMBLY, SUB	6871W1A406A		R	1		
268712	PWB(PCB) ASSEMBLY, SUB	6871W1A407A		R	1		
268713	PWB(PCB) ASSEMBLY, SUB	6871W1A408A		R	1		
268714	PWB(PCB) ASSEMBLY, SUB	6871W1A417A		R	1		
33034L	REFLECTOR	3034W2A007D		R	1		
33034U	REFLECTOR	3034W2A008B		R	1		
33052M	CANOPY, MICA	3052W1M020A		R	1		
33112U	OUT CASE, U-BENDING	3112W0U080A		R	1		
333901	TRAY, METAL	3390W1A045B	3390W1A045A	R	1		Change
333902	TRAY, METAL	3390W1A043B		R	1		
33390G	TRAY, GLASS	3390W1A017A		R	1		
33536A	SEAL TAPE	3536W1A001K		R	1		
335501	COVER, HEATER	3550W1A306A		R	1		
335502	COVER, HEATER	3550W1A307A		R	1		
33740A	PROTECTOR (MECH)	3740W1A024B		R	1		
33808A	COVER, BACK	3550W0A120A		R	1		
34370T	SHAFT, TURN TABLE	4371W1A001A	4371W1A001B	R	1		Change
348101	BRACKET, HEATER	4810W1A345A		R	1		
348102	BRACKET, HEATER	4810W1A346A		R	1		
348103	BRACKET, HEATER	4810W1A347A		R	1		
34810H	BRACKET, HEATER	4810W1A369A		R	1		
34918L	TRIM	4918W1A025C		R	1		
34918R	TRIM	4918W1A024C		R	1		
34930W	HOLDER, WIRE	4B72510F		R	3		
34931A	HOLDER ASSEMBLY	4931W1A009E		R	1		
34960A	MOUNT	4960W3A003B		R	1		
349801	SUPPORTER	4930W3A014A		R	2		

R, S : SERVICE PARTS

For model: ZSC1000KBB/01

LOC. NO	DESCRIPTION	DIFFERENCE CHART		SVC	QTY	ALTERNATIVE PART NO.	REMARKS
		Before (Rev.1)	After (Rev.2)				
35026G	SHELF	5026W1A078C		R	1		
353001	HEATER, MIRACLON	5300W2A006W		R	1		
353002	HEATER, MIRACLON	5300W2A006Y		R	1		
35300E	SERVICE PARTS(UPPER HEATER ASSY)	383EW1A099A		R	1		
35300H	HEATER, HALOGEN	5300W2H004G		R	1		
35301A	HEATER ASSEMBLY	5301W1A039A		R	1		
35889A	ROTATING RING ASSEMBLY	5889W1A017A		R	1		
36549C	MOTOR(CIRC), CIRCULATION	2B72066G		R	1		
36549S	MOTOR(CIRC), SYNCHRONOUS	6549W1S018C		R	1		
36549V	MOTOR(CIRC), CIRCULATION	6549W1V010J		R	1		
368771	HARNES	6877W1A605A		R	1		
43500L	BOARD, LATCH	3500W1A022A		R	1		
43500R	BOARD, LATCH	3500W1A023A		R	1		
43501L	BOARD ASSEMBLY, LATCH	3501W1A029B		R	1		
43501R	BOARD ASSEMBLY, LATCH	3501W1A028B		R	1		
44510A	LEVER	4510W1A006A		R	1		
466001	SWITCH, MICRO	3B73362F		R	1		
466001	SWITCH, MICRO	3B73362F		R	1		
466003	SWITCH, MICRO	3B73361E		R	1		
466003	SWITCH, MICRO	3B73361E		R	1		
50CZZH	CAPACITOR, DRAWING[HIGH VOLTAGE]	0CZZW1H004B		R	1		
50FZZA	FUSE, DRAWING	3B74133K		R	1		
53504A	CHAMBER	3504W1A006A		R	1		
53504W	CHAMBER	3504W1A007A		R	1		
53550L	COVER, LAMP	3550W1A348A		R	1		
54350S	RING	4B73725A		R	1		
54790A	BARRIER	4790W1A013A		R	1		
548101	BRACKET, MISC	4810W3G141B		R	2		
548102	BRACKET, MISC	4810W1A349A		R	1		
548103	BRACKET, MISC	4810W1A378A		R	2		
548104	BRACKET, MISC	4810W1A379A		R	2		
54810A	BRACKET, MISC	4810W3G135A		R	1		
54810C	BRACKET, CAPACITOR	4810WRC002A		R	1		
54810M	BRACKET, MISC	4810W1A361A		R	1		
54810S	BRACKET, MOTOR	3B72717A		R	1		
54810U	BRACKET, DAMPER	4810W1A344A		R	1		
54960A	MOUNT	4960W0A002A		R	1		
54974T	AIR TUNNEL	5264W1A032A		R	1		
54975G	CHAMBER ASSEMBLY	3505W1A007A	3505W1A007B	R	1		Change
549801	SUPPORTER	4980W1A027B		R	1		
549802	SUPPORTER	4980W1A098A		R	1		
55208E	SERVICE PARTS(DAMPER ASSY)	383EW1A098A		R	1		
55262A	DUCT	5208W1A048A		R	1		
55262R	DUCT	5208W1A047A		R	1		
55300S	HEATER, SHEATH	5300W1S006L	5300W1S006M	R	1		Change
55900C	FAN	5900W3A004B		R	1		
55900N	FAN	3B72559A		R	1		
56170D	TRANSFORMER, HIGH VOLTAGE	6170W1D023D		R	1		
56201A	FILTER ASSEMBLY(CIRC)	2B72130F		R	1		
56208A	GLASS WOOL	5290W1A017A		R	1		
56322A	THERMISTOR, NTC	6322W1A001B		R	1		
56324A	MAGNETRON	6324W1A001H		R	1		

R, S : SERVICE PARTS

For model: ZSC1000KBB/01

LOC. NO	DESCRIPTION	DIFFERENCE CHART		SVC	QTY	ALTERNATIVE PART NO.	REMARKS
		Before (Rev.1)	After (Rev.2)				
56411A	POWER CORD ASSEMBLY	6411W1A039B		R	1		
56501A	SENSOR ASSEMBLY	6501W1A013A		R	1		
56549B	MOTOR(CIRC), SYNCHRONOUS	6549WRS001P		R	1		
56851D	CABLE ASSEMBLY	6021W3B001U		R	1		
568771	HARNESS	6877W1A601A		R	1		
568772	HARNESS	6877W2A002A		R	1		
568773	HARNESS	6877W1A604A		R	1		
56912B	LAMP, HALOGEN	6912A40002D		R	1		
56930M	THERMOSTAT	6930W1A003D	6930W1A002F	R	1		Change
56930V	THERMOSTAT	6930W3A001B		R	1		
56930V	THERMOSTAT	6930W3A001B		R	1		
56930V	THERMOSTAT	3303W0A030A		R	1		
56930V	THERMOSTAT	3861W1A074B		R	1		
63303A	BASE PLATE ASSEMBLY	3861W1A072B		R	1		
63861B	KIT ASSEMBLY	3861W1A073B		R	1		
63861L	KIT ASSEMBLY	383EW1A081C		R	1		
63861R	KIT ASSEMBLY	3B72244S		R	1		
9383EA	SERVICE PARTS(HARD WARE BAG)	3B72244C		R	1		
948501	CUSHION	3B72244F		R	1		
948502	CUSHION	3B72244H		R	1		
948503	CUSHION	3B72244F		R	2		
948504	CUSHION	3B72244H		R	1		
948505	CUSHION	4850W2A004E		R	0.125		
WMT002	SCREW MACHINE, TRUSS HEAD	1MTC0402432		R	1		
WMT008	SCREW MACHINE, TRUSS HEAD	1MTC0402832		R	2		
WNH002	NUT, HEXAGON	1NHA0400018		R	5		
WNH003	NUT, HEXAGON	1NHA0400032		R	4		
WNZ015	NUT, DRAWING	4B71028B		R	2		
WPZ009	PIN, DRAWING	1PZZW3Z007A		R	2		Delete
WPZ016	PIN, DRAWING	1PZZW1A002A		R	2		
WSZ002	SCREW TAP TITE(S), BINDING HEAD	1SBF0402418		R	7		
WSZ059	SCREW, DRAWING	4000W4A001A		R	6		
WSZ062	SCREW, DRAWING	4000W4A003A		R	1		
WSZ085	SCREW, DRAWING	4B70188C		R	2		
WTP002	SCREW TAPPING, PAN HEAD	1TPL0302018		R	4		
WTP004	SCREW TAPPING, PAN HEAD	1TPL0302418		R	12		
WTP005	SCREW TAPPING, PAN HEAD	1TPL0302618		R	4		
WTP006	SCREW TAPPING, PAN HEAD	1TPL0302818		R	2		
WTP007	SCREW TAPPING, PAN HEAD	1TPL0303118		R	1		
WTP013	SCREW TAPPING, PAN HEAD	1TPL0402418		R	4		
WTP019	SCREW TAPPING, PAN HEAD	1TPL0403118		R	1		
WTT020	SCREW TAPPING, TRUSS HEAD	1TTL0402416		R	2		
WTT021	SCREW TAPPING, TRUSS HEAD	1TTL0402418		R	77		
WTT022	SCREW TAPPING, TRUSS HEAD	1TTL0402422		R	13		
WTT028	SCREW TAPPING, TRUSS HEAD	1TTL0402818		R	1		
WWP008	WASHER, PLAIN	1WPL0500032		R	1		
WWS005	WASHER, SPRING LOCK	1WSD0400032		R	1		

R, S : SERVICE PARTS

For model: ZSC1001KSS/01

LOC. NO	DESCRIPTION	DIFFERENCE CHART		SVC	QTY	ALTERNATIVE PART NO.	REMARKS
		Before (Rev.1)	After (Rev.2)				
*01	MANUAL, OWNERS	3828W5A4601		R	1		
*03	COOK BOOK	3878W5A0126		R	1		
*04	MANUAL, INSTALLATION	3828W5U0445		R	1		
*05-1	LABEL, COOKING GUIDE	-	3850W5D004B	R	1		ADD
*05-2	LABEL, COOKING GUIDE	-	3850W5D004C	R	1		ADD
*07	CARD, TECHNICAL	3840W5T0034		R	1		
*10	BOX, YELLOW	3890W3Y827G	3890W3Y994B	R	1		Change
13213A	DOOR FRAME ASSEMBLY	3213W0A014C		R	1		
13552A	CHOKE COVER	3552W0A020A		R	1		
13581A	DOOR ASSEMBLY	3581W0A145C		R	1		
13651A	HANDLE ASSEMBLY	3651W1A002H		R	1		
14026L	LATCH	4026W1A032A		R	1		
14026R	LATCH	4026W1A033A		R	1		
14891E	SERVICE PARTS(GLASS ASSY+ DOOR PANEL COVER+MARK)	383EW1A110B		R	1		
14970A	SPRING	4970W1A003D		R	2		
23551A	SERVICE PARTS(PANEL, CONTROL+ GLASSY ASSY+COVER)	383EW1A109B		R	1		
23790D	DIGITRON	6302W5A011D		R	1		
24781M	CONTROLLER ASSEMBLY, KEY PAD	4781W0M082C		R	1		
24810M	BRACKET, MISC	-	4810W1A371A	R	2		ADD
24810P	BRACKET, CONTROL PANEL	4810W0A006A		R	1		
24930D	HOLDER, DISPLAY	4930W1A065A		R	1		
24941A	KNOB ASSEMBLY	4941W1A002C		R	1		
26170G	TRANSFORMER, POWER	6170W2G008F		R	1		
268711	PWB(PCB) ASSEMBLY, SUB	6871W1A406A		R	1		
268712	PWB(PCB) ASSEMBLY, SUB	6871W1A407A		R	1		
268713	PWB(PCB) ASSEMBLY, SUB	6871W1A408A		R	1		
268714	PWB(PCB) ASSEMBLY, SUB	6871W1A417A		R	1		
33034L	REFLECTOR	3034W2A007D		R	1		
33034U	REFLECTOR	3034W2A008B		R	1		
33052M	CANOPY, MICA	3052W1M020A		R	1		
33112U	OUT CASE, U-BENDING	3112W0U080A		R	1		
333901	TRAY, METAL	3390W1A045B	3390W1A045A	R	1		Change
333902	TRAY, METAL	3390W1A043B		R	1		
33390G	TRAY, GLASS	3390W1A017A		R	1		
33536A	SEAL TAPE	3536W1A001K		R	1		
335501	COVER, HEATER	3550W1A306A		R	1		
335502	COVER, HEATER	3550W1A307A		R	1		
33740A	PROTECTOR (MECH)	3740W1A024B		R	1		
33808A	COVER, BACK	3550W0A120A		R	1		
34370T	SHAFT, TURN TABLE	4371W1A001A	4371W1A001B	R	1		Change
348101	BRACKET, HEATER	4810W1A345A		R	1		
348102	BRACKET, HEATER	4810W1A346A		R	1		
348103	BRACKET, HEATER	4810W1A347A		R	1		
34810H	BRACKET, HEATER	4810W1A369A		R	1		
34918L	TRIM	4918W1A025C		R	1		
34918R	TRIM	4918W1A024C		R	1		
34930W	HOLDER, WIRE	4B72510F		R	3		
34931A	HOLDER ASSEMBLY	4931W1A009E		R	1		
34960A	MOUNT	4960W3A003B		R	1		
349801	SUPPORTER	4930W3A014A		R	2		

R, S : SERVICE PARTS

For model: ZSC1001KSS/01

LOC. NO	DESCRIPTION	DIFFERENCE CHART		SVC	QTY	ALTERNATIVE PART NO.	REMARKS
		Before (Rev.1)	After (Rev.2)				
35026G	SHELF	5026W1A078C		R	1		
353001	HEATER, MIRACLON	5300W2A006W		R	1		
353002	HEATER, MIRACLON	5300W2A006Y		R	1		
35300E	SERVICE PARTS(UPPER HEATER ASSY)	383EW1A099A		R	1		
35300H	HEATER, HALOGEN	5300W2H004G		R	1		
35301A	HEATER ASSEMBLY	5301W1A039A		R	1		
35889A	ROTATING RING ASSEMBLY	5889W1A017A		R	1		
36549C	MOTOR(CIRC), CIRCULATION	2B72066G		R	1		
36549S	MOTOR(CIRC), SYNCHRONOUS	6549W1S018C		R	1		
36549V	MOTOR(CIRC), CIRCULATION	6549W1V010J		R	1		
368771	HARNES	6877W1A605A		R	1		
43500L	BOARD, LATCH	3500W1A022A		R	1		
43500R	BOARD, LATCH	3500W1A023A		R	1		
43501L	BOARD ASSEMBLY, LATCH	3501W1A029B		R	1		
43501R	BOARD ASSEMBLY, LATCH	3501W1A028B		R	1		
44510A	LEVER	4510W1A006A		R	1		
466001	SWITCH, MICRO	3B73362F		R	1		
466001	SWITCH, MICRO	3B73362F		R	1		
466003	SWITCH, MICRO	3B73361E		R	1		
466003	SWITCH, MICRO	3B73361E		R	1		
50CZZH	CAPACITOR, DRAWING[HIGH VOLTAGE]	0CZZW1H004B		R	1		
50FZZA	FUSE, DRAWING	3B74133K		R	1		
53504A	CHAMBER	3504W1A006A		R	1		
53504W	CHAMBER	3504W1A007A		R	1		
53550L	COVER, LAMP	3550W1A348A		R	1		
54350S	RING	4B73725A		R	1		
54790A	BARRIER	4790W1A013A		R	1		
548101	BRACKET, MISC	4810W3G141B		R	2		
548102	BRACKET, MISC	4810W1A349A		R	1		
548103	BRACKET, MISC	4810W1A378A		R	2		
548104	BRACKET, MISC	4810W1A379A		R	2		
54810A	BRACKET, MISC	4810W3G135A		R	1		
54810C	BRACKET, CAPACITOR	4810WRC002A		R	1		
54810M	BRACKET, MISC	4810W1A361A		R	1		
54810S	BRACKET, MOTOR	3B72717A		R	1		
54810U	BRACKET, DAMPER	4810W1A344A		R	1		
54960A	MOUNT	4960W0A002A		R	1		
54974T	AIR TUNNEL	5264W1A032A		R	1		
54975G	CHAMBER ASSEMBLY	3505W1A007A	3505W1A007B	R	1		Change
549801	SUPPORTER	4980W1A027B		R	1		
549802	SUPPORTER	4980W1A098A		R	1		
55208E	SERVICE PARTS(DAMPER ASSY)	383EW1A098A		R	1		
55262A	DUCT	5208W1A048A		R	1		
55262R	DUCT	5208W1A047A		R	1		
55300S	HEATER, SHEATH	5300W1S006L	5300W1S006M	R	1		Change
55900C	FAN	5900W3A004B		R	1		
55900N	FAN	3B72559A		R	1		
56170D	TRANSFORMER, HIGH VOLTAGE	6170W1D023D		R	1		
56201A	FILTER ASSEMBLY(CIRC)	2B72130F		R	1		
56208A	GLASS WOOL	5290W1A017A		R	1		
56322A	THERMISTOR, NTC	6322W1A001B		R	1		
56324A	MAGNETRON	6324W1A001H		R	1		

R, S : SERVICE PARTS

For model: ZSC1001KSS/01

LOC. NO	DESCRIPTION	DIFFERENCE CHART		SVC	QTY	ALTERNATIVE PART NO.	REMARKS
		Before (Rev.1)	After (Rev.2)				
56411A	POWER CORD ASSEMBLY	6411W1A039B		R	1		
56501A	SENSOR ASSEMBLY	6501W1A013A		R	1		
56549B	MOTOR(CIRC), SYNCHRONOUS	6549WRS001P		R	1		
56851D	CABLE ASSEMBLY	6021W3B001U		R	1		
568771	HARNESS	6877W1A601A		R	1		
568772	HARNESS	6877W2A002A		R	1		
568773	HARNESS	6877W1A604A		R	1		
56912B	LAMP, HALOGEN	6912A40002D		R	1		
56930M	THERMOSTAT	6930W1A003D	6930W1A002F	R	1		Change
56930V	THERMOSTAT	6930W3A001B		R	1		
56930V	THERMOSTAT	6930W3A001B		R	1		
63303A	BASE PLATE ASSEMBLY	3303W0A030A		R	1		
63861B	KIT ASSEMBLY	3861W1A074C		R	1		
63861L	KIT ASSEMBLY	3861W1A072C		R	1		
63861R	KIT ASSEMBLY	3861W1A073C		R	1		
9383EA	SERVICE PARTS(HARD WARE BAG)	383EW1A081C		R	1		
948501	CUSHION	3B72244S		R	1		
948502	CUSHION	3B72244C		R	1		
948503	CUSHION	3B72244F		R	2		
948504	CUSHION	3B72244H		R	1		
948505	CUSHION	4850W2A004E		R	0.125		
WMT002	SCREW MACHINE, TRUSS HEAD	1MTC0402432		R	1		
WMT008	SCREW MACHINE, TRUSS HEAD	1MTC0402832		R	2		
WNH002	NUT, HEXAGON	1NHA0400018		R	5		
WNH003	NUT, HEXAGON	1NHA0400032		R	4		
WNZ015	NUT, DRAWING	4B71028B		R	2		
WPZ009	PIN, DRAWING	1PZZW3Z007A		R	2		Delete
WPZ016	PIN, DRAWING	1PZZW1A002A		R	2		
WSZ002	SCREW TAP TITE(S), BINDING HEAD	1SBF0402418		R	7		
WSZ059	SCREW, DRAWING	4000W4A001A		R	6		
WSZ062	SCREW, DRAWING	4000W4A003A		R	1		
WSZ085	SCREW, DRAWING	4B70188C		R	2		
WTP002	SCREW TAPPING, PAN HEAD	1TPL0302018		R	4		
WTP004	SCREW TAPPING, PAN HEAD	1TPL0302418		R	12		
WTP005	SCREW TAPPING, PAN HEAD	1TPL0302618		R	4		
WTP006	SCREW TAPPING, PAN HEAD	1TPL0302818		R	2		
WTP007	SCREW TAPPING, PAN HEAD	1TPL0303118		R	1		
WTP013	SCREW TAPPING, PAN HEAD	1TPL0402418		R	4		
WTP019	SCREW TAPPING, PAN HEAD	1TPL0403118		R	1		
WTT021	SCREW TAPPING, TRUSS HEAD	1TTL0402418		R	77		
WTT022	SCREW TAPPING, TRUSS HEAD	1TTL0402422		R	15		
WTT028	SCREW TAPPING, TRUSS HEAD	1TTL0402818		R	1		
WWP008	WASHER, PLAIN	1WPL0500032		R	1		
WWS005	WASHER, SPRING LOCK	1WSD0400032		R	1		

R, S : SERVICE PARTS