

This Owner's Manual is provided and hosted by [Appliance Factory Parts](#).



Coleman 2000000281 Owner's Manual

[Shop genuine replacement parts for Coleman
2000000281](#)



[Find Your Coleman Camping Parts - Select From 855 Models](#)

----- Manual continues below -----



3-Person Trailblazer with Vestibule 8'x8'

Instructions apply to Part Number 2000000281

When You Are Ready To Set Up Your Tent

- Select a level campsite clear of rocks, branches and other hard or sharp objects.
- Do not set up your tent under trees.
- For best results in windy conditions, do not position the door of tent into the wind.

(2) Main
Tent Poles

(1) Rainfly
Pole

POLE ASSEMBLY PARTS

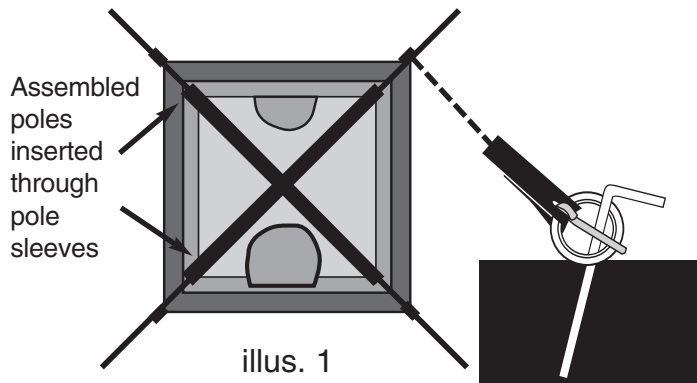
Part No. 5010000127

Part No. 5010000128

Rainfly Part No. 5010000129

1 Layout & Positioning of Tent, Pole Assembly

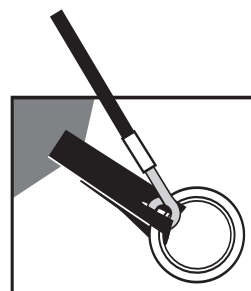
- Layout and position tent with door facing desired direction. (illus. 1)
- Unzip door.
- Stake down tent corners only, using the rings at the end of the stake loops. Keep the floor taut. (illus. 2)
- Assemble frame poles by interlocking shock-corded poles. This will make two long poles.
- Insert the poles diagonally into pole sleeves. The center of the poles should cross forming an "X" in the middle of tent. (illus. 1)



illus. 2 Tent stake through ring

2 Connect Frame to Tent

- Insert one end of main tent pole end onto pin of pin & ring system, at tent corner. (illus. 3)
- Go to opposite end of pole and gradually apply pressure to the pole forming an arch until you are able to insert the pin into the pole.
- Repeat for second pole.



illus. 3
Insert pole end onto
pin & ring

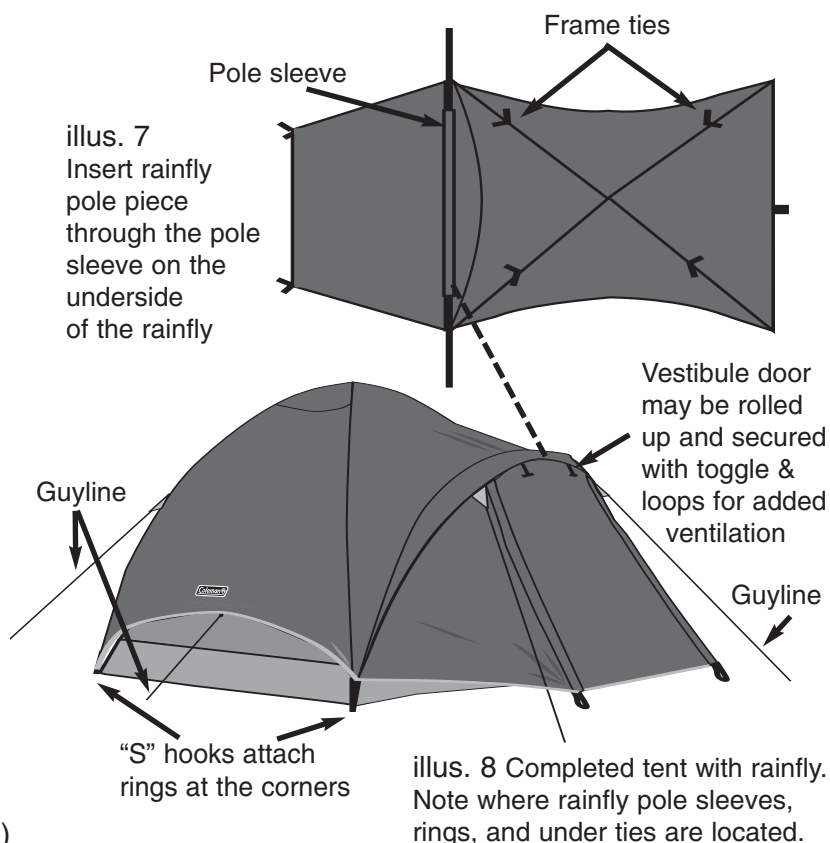
3 Attach Tent to Frame Using Frame Clips

- Attach frame clips along the edges of tent to frame poles. (illus. 5), (illus. 6)
- Make any adjustments to the tent corner stakes that are needed.



4 Attach Rainfly

- Assemble rainfly pole by interlocking shock-corded pole.
- Insert rainfly pole through pole sleeve above vestibule door on the underside of rainfly. (illus. 7), (illus. 8)
- Drape rainfly over tent frame, pole side down. Rainfly pole should be over the tent door.
- Insert one end of rainfly pole end onto pin of pin & ring system, at the front tent corner. (illus. 4)
- Go to opposite end of pole and gradually apply pressure to the pole forming an arch until you are able to insert the pin into the pole.
- Connect the four elastic loops with “S” hooks, (found at the rainfly corners) to the four rings located at the end of the stake loops at the corners of the tent.
- Secure rainfly with attachments located on the underside of fly. (illus. 8)
- Stake out the tent with guylines. (illus. 8)
- Stake out front of the vestibule.



Things You Should Know

- Under certain conditions (cold weather, high humidity, etc.) condensation will form on the inside surfaces of your tent. Condensation is caused by water vapor from your breath, perspiration, or any wet clothing inside your tent. It is NOT LEAKAGE through the tent fabric. It can be minimized by removing wet clothing from your tent and by providing good ventilation through the tent.
- Never store tent, even for a short period of time, without drying it thoroughly and brushing off caked dirt. Do not pack stakes or poles inside your tent. Use a separate storage bag.
- STAKES SHOULD BE REMOVED BY PULLING ON THE STAKE ITSELF. NEVER PULL ON THE TENT FABRIC OR TENT STAKE LOOP TO REMOVE STAKE.
- TENT POLES SHOULD NOT BE LEFT TELESKOPED TOGETHER DURING STORAGE.

- Do not leave your tent set-up for weeks at a time, be aware that exposure to the ultraviolet rays of the sun can seriously damage material and/or cause it to become discolored.

WARNING: KEEP ALL FLAME AND HEAT SOURCES AWAY FROM THIS TENT FABRIC. This tent meets the flammability requirements of CPAI-84. The fabric may burn if left in continuous contact with any flame source. The application of any foreign substance to the tent fabric may render the flame-resistant properties ineffective.



THE COLEMAN CO., INC.

3600 N. Hydraulic • Wichita, Kansas 67219
1-800-835-3278 • www.coleman.com

MADE IN CHINA